

PRODUCT INFORMATION

Fixture*:		basin area	water depth
Lavatory		24" x 13"	4-1/4"
Outlet	1-11/16" D.		

* Approximate measurements for comparison only.

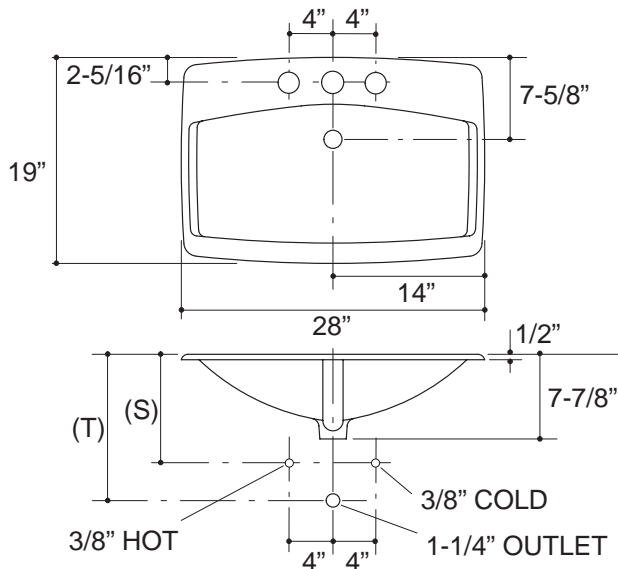
BEFORE YOU BEGIN

NOTES

- These instructions contain important care, cleaning, and warranty information – please leave instructions for the consumer.
- Due to the nature of the installation, undercounter lavatories should be installed by trained and experienced installers.
- Prior to installation, unpack the new lavatory and carefully inspect it for damage. Return the lavatory to its protective carton until you are ready to install it.
- Do not use adhesives or adhesive sealants with this product.

TOOLS AND MATERIALS REQUIRED

- Safety glasses
- Safety shoes
- Pencil
- Scissors
- Tape measure
- Putty knife
- Screwdriver
- Hole saw
- Keyhole saw or saber saw
- Drill (1/2" dia. drill bit or larger)
- Sealant



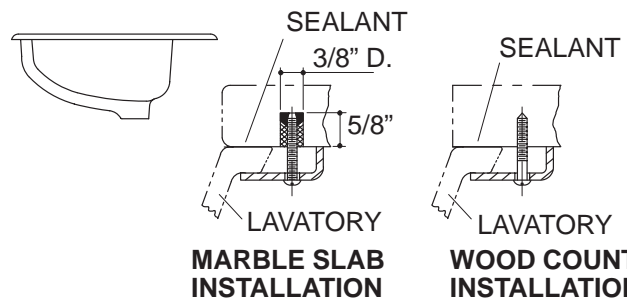
Roughing-In Notes

Fixture dimensions are nominal and conform to tolerances in ASME/ANSI Standard A112.19.1M.

(T) Pop-up drain 13-1/2".

(S) 10" (Based on 12" riser which may require cutting).

Holes in undercounter fixture are oversized. Drill fitting holes in counter according to fitting rough-in.



NOTE: WATERPROOF UNPROTECTED OVERHANG AREA ON THE UNDERSIDE OF WOOD COUNTER

INSTALLATION

NOTE: Check for adequate clearance between the backsplash, faucet, fixture, and cabinet.

Cut out the template and mounting hole locations with a scissors inside the cutting line, as shown.

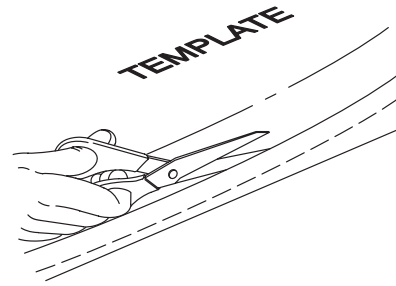


Fig. #1

Trace the template on the countertop using a soft lead pencil. Centerlines are provided to help align the opening.

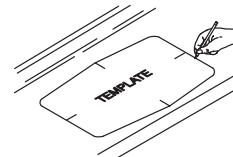


Fig. #2

Locate the faucet hole centerline on the countertop.

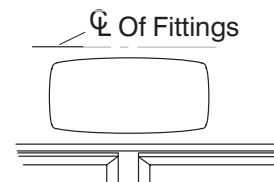


Fig. #3

Cut out the opening by carefully following the pencil line traced from the template.

Temporarily place the lavatory in the countertop cutout to check for fit.

NOTE: This will serve as a guide for applying sealant.

Remove the lavatory from the countertop cutout.

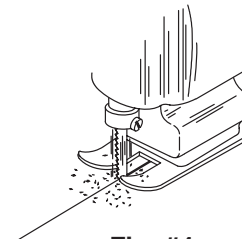


Fig. #4

Drill the faucet holes. The faucet holes must be 4" apart and between 1-3/8" and 1-1/2" in diameter for Kohler lavatory faucets.

Install the faucet to the countertop, following the manufacturer's instructions.

Set marble or solid surface countertops upside down on foam padding. Drill 3/8" diameter holes, 5/8" deep in the locations shown. Set the lead anchors into the holes using a setting tool. Tap the setting tool with a hammer to set the lead anchors into position.

NOTE: The insert must be properly installed to ensure proper fit.

NOTE: For wood countertops, pre-drill the holes for wood screws in the locations shown. Waterproof any unprotected areas of wood.

Apply a bead of sealant around the entire area where the lavatory contacts the countertop. Install the lavatory to the countertop using the appropriate hardware. Position the lavatory squarely under the cutout before tightening the clips. Draw the rim up to the countertop until it is snug. **Do not overtighten.** Wipe away any excess sealant with a clean cloth.

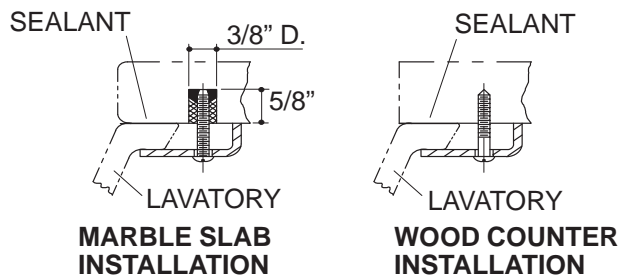


Fig. #5

Follow the instructions listed on the sealant label. Allow the sealant to set for 30 minutes or longer. Connect the drain fittings and faucet supply fittings. Turn on the water, and check for leaks at all the connections.

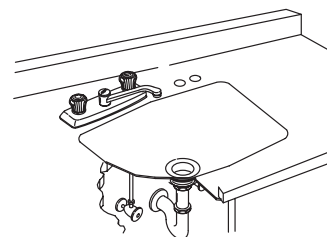
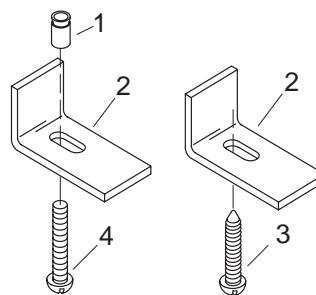


Fig. #6

PARTS INFORMATION

ITEM NO.	PART NO.	DESCRIPTION
1	44596	Insert
2	44597	Clip
3	68918	Screw
4	44598	Screw



IMPORTANT CONSUMER INFORMATION

CLEANING YOUR CAST IRON LAVATORY

Quality Kohler enamel is fused to red-hot cast iron. The resulting glass-hard surface and lustrous depth of color is beautiful to look at, easy to care for, and more resistant to scratching than plastic materials. As with any smooth surface, **avoid using abrasive cleansers** on your cast iron lavatory. Abrasive cleansers will scratch and dull the surface.

REQUESTING SERVICE

Please take a moment to familiarize yourself with the Kohler Warranty, its benefits, and limitations. Kohler Co. and its distributors support you with one of the largest Service Networks of its type. Here's what you need to do if you require service:

FIRST: Contact the dealer or contractor who sold and installed the product. They should be able to solve any problems you may have.

SECOND: If your dealer or contractor cannot solve the problem, they will contact or supply you with the name of the local Kohler Distributor and the:

 KOHLER TECHNICAL SPECIALIST

THIRD: If you are unable to obtain warranty service through either your contractor or Kohler Co. distributor, please write us directly at Kohler Co., Attn: Customer Service Department, Kohler, WI 53044 U.S.A.

FOURTH: Include all pertinent information regarding your claim, including a complete description of the product, model numbers, colors, finishes, and the date the product was installed. Include a description of the problem, and a photocopy of your invoice for the products involved. Also give us the name of the contractor and distributor.

LIFETIME LIMITED WARRANTY – CAST IRON

Kohler warrants this cast iron product to be free of defects in material and workmanship during normal residential use for as long as the original purchaser owns his/her home. Gloss reduction, scratching, staining or alkaline etching, of the finish over time due to use, cleaning practices or water or atmospheric conditions are not manufacturing defects but are indicative of normal wear and tear. This warranty is applicable to Kohler cast iron product manufactured after February 10, 2000.

If a defect is found in normal residential use, Kohler Co. will, at its election, repair, replace or make appropriate adjustment. Damage caused by accident, misuse, or abuse is not covered by this warranty. Improper care and cleaning will void the warranty. Proof of purchase (original sales receipt) must be provided to Kohler with all warranty claims. Kohler Co. is not responsible for labor charges, installation, or other consequential costs. In no event shall the responsibility of Kohler exceed the purchase price of the product.

To obtain warranty service, contact Kohler Co. through your Dealer or Plumbing Contractor, or by writing: Kohler Co., Attn: Customer Service Department, 444 Highland Drive, Kohler, WI 53044, USA, or by calling **1-800-4-KOHLER** from within the USA, **1-800-964-5590** from within Canada, or **001-877-680-1310** from within Mexico. Please be sure to provide all pertinent information regarding your claim, including a complete description of the problem, the product, model number, color and the date the product was purchased. Also include the name of your contractor or distributor and your original invoice.

If the product is used commercially, Kohler warrants the product to be free from defects in material and workmanship for one (1) year from the date of purchase as shown on the invoice or receipt with all other terms of this warranty applying except duration. **Any implied warranties for product used commercially, including that of merchantability or fitness for a particular purpose, are expressly limited in duration to the duration of the one year express warranty.**

To the extent permitted by law, Kohler Co. disclaims all implied warranties including merchantability and fitness for a particular purpose. Kohler Co. disclaims any liability for special, incidental, or consequential damages. Some states/provinces do not allow limitations on how long an implied warranty lasts or the exclusion or limitation of special, incidental, or consequential damages, so these limitations and exclusions may not apply to you. This warranty gives you specific legal rights. You may also have other rights which vary from state/province to state/province. This warranty is to the original purchaser only and excludes product damage due to installation error, product abuse, or product misuse, whether performed by a contractor, service company, or yourself. This warranty applies only for Kohler cast iron product installed in the United States of America, Canada and Mexico.

This is our exclusive written warranty.