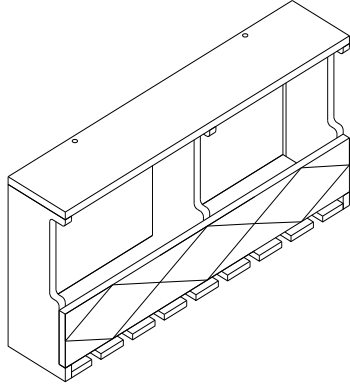


# Revive Wine Rack



Thank you for purchasing our Coat Hooks with Storage. Assembly of this product requires a screwdriver. **We have found it helpful to have a second person present in at least one step of the assembly.**

---

## Wine Rack Assembly Instructions

Lay out all parts on a "non-abrasive" surface to avoid scratching furniture.

NO.	DRAWING	DESCRIPTION	QTY.
A		WINE RACK	1
B		FENCH CLEAT	1
C		WOOD SCREW	5

---

## PARTS

### Step 1

Read through these instructions thoroughly before beginning assembly. We have found this to be of great value when first assembling this product.

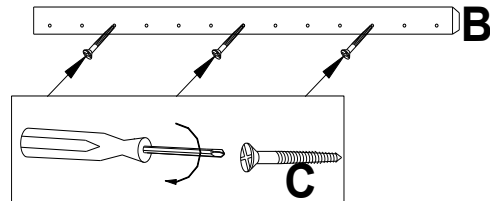
### Step 2

Remove all parts and hardware from packing material. Wooden pieces should be placed on a non abrasive surface (like the carton or carpet) to prevent damage to the finish. Note the French Cleat (B) is pre-installed on the back of the Hooks (A) with 3 of the Wood Screws (C).

---

### Step 3

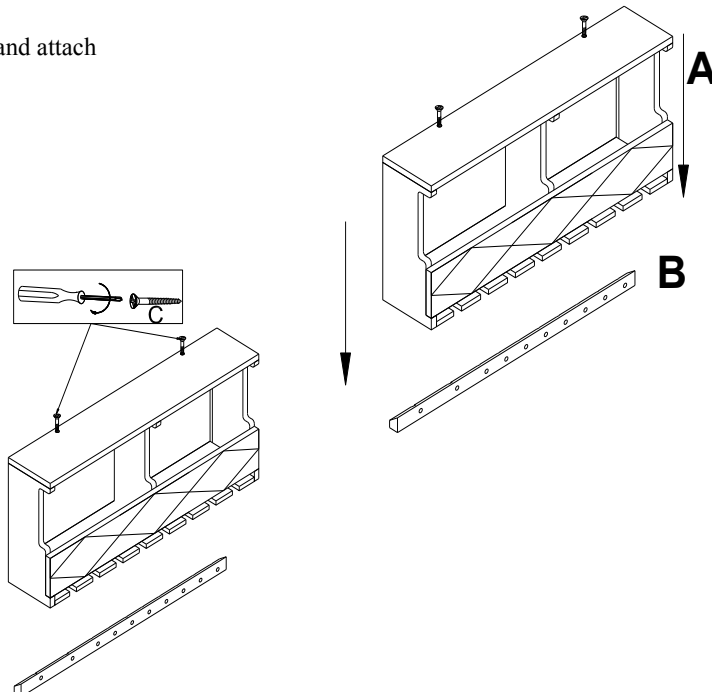
Remove the French Cleat (B) from the back of the Wine Rack (A) by unscrewing 3 of the pre-installed Wood Screws (C) on the top of the Wine Rack (A). Locate studs behind drywall in desired location. Attach French Cleat (B) to wall studs with 3 Wood Screws (C).



---

### Step 4

Set wine Rack (A) on French Cleat (B) and attach with 2 Wood Screws (C).



### Step 5

It is recommended that the shelf be stud mounted for stability.

---

## CARE

Clean with mild soap and wipe dry.

---

## REPLACEMENT PARTS

Please do not contact the company you purchased from as we can help you faster.

Order replacement parts and hardware at "[alaterrefurniture.com](http://alaterrefurniture.com)"