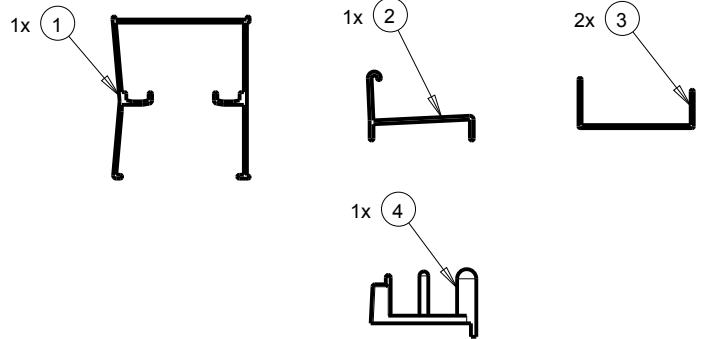
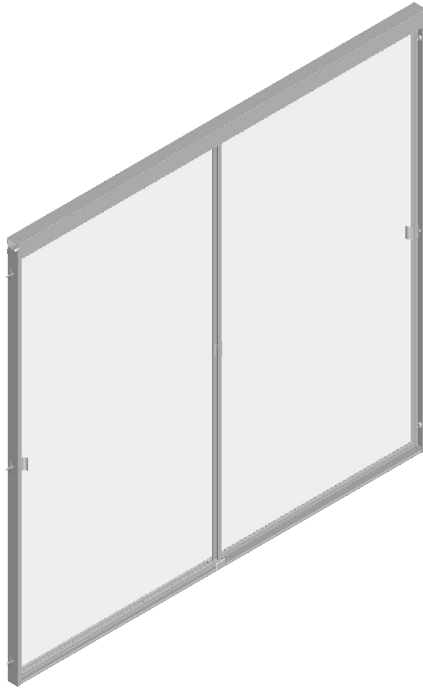
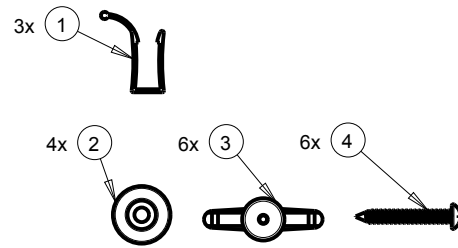


Framed Sliding Bathtub Door Kit

Framed Sliding Bathtub Track 60"



ID	DESCRIPTION	QTY	MATERIAL
1	TOP TRACK	1	AL6061
2	BOTTOM TRACK	1	AL6061
3	WALL JAMB	2	AL6061
4	CENTER GUIDE	1	ABS

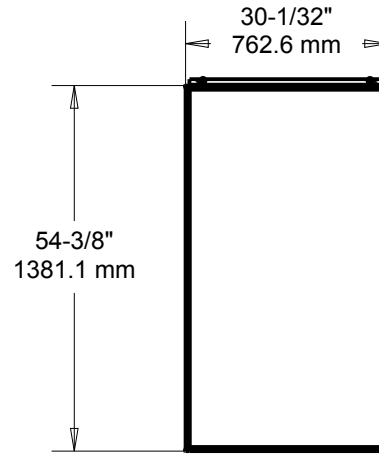
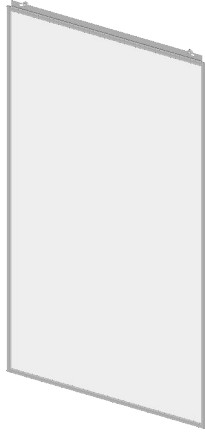


ID	DESCRIPTION	QTY	MATERIAL
1	HANDLE	3	AL6061
2	WALL BUMPER	4	PVC
3	TOGGLE WALL ANCHOR	6	NYLON
4	#8-18 X 1-1/4" PAN HEAD SCREW	6	SS

- MATERIALS:** Anodized Aluminum Extrusions (Track)
- INSTALLATION:** Detailed Instructions and Hardware Included for Easy Installation
- UNIQUE FEATURE:** 60" Framed Sliding Bathtub Kit:
Fits Door With An Opening Min/Max of 52" - 59", with a 56-7/16" Height
- WARRANTY:** 1 Year Limited Warranty

Framed Sliding Bathtub Door Kit

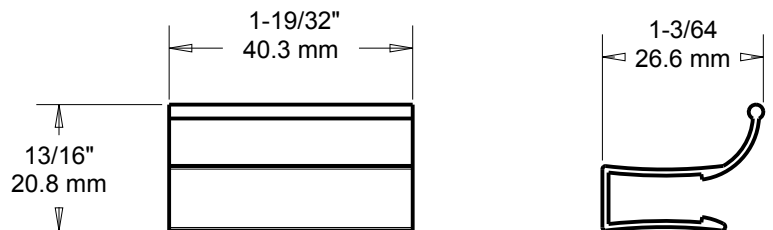
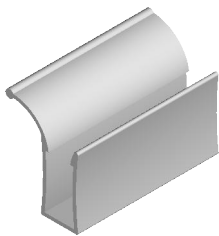
Framed Sliding 60" Glass Panels



- MATERIALS:** 1/8" (3.175mm) Tempered Glass Panels with pre-assembled Anodized Aluminum Frame
- INSTALLATION:** Detailed Instructions and Hardware Included for Easy Installation
- UNIQUE FEATURE:** 60" Framed Sliding Bathtub Kit:
Fits Door With An Opening Min/Max of 52" - 59", with a 56-7/16" Height
- WARRANTY:** 1 Year Limited Warranty

Framed Pivoting Shower Door Kit

Framed Sliding Bathtub Handle



- MATERIALS:** Al 6060
- INSTALLATION:** Detailed Instructions and Hardware Included for Easy Installation
- WARRANTY:** 1 Year Limited Warranty