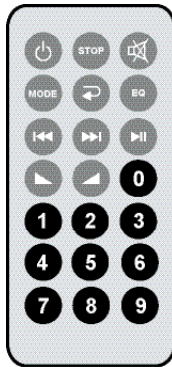
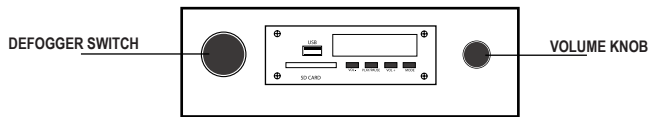


## REMOTE FUNCTIONS AND SET UP INSTRUCTIONS:



**NOTE:** Remote will not work unless doors are open.



## BLUETOOTH PLAYER

1. Press **MODE** to change to bluetooth player.
2. You will hear a startup tone when you are in the bluetooth mode.
3. Make sure the bluetooth is ON on your phone. If it is not, the player cannot detect the your phone.
4. Go to the bluetooth menu on your phone. "ZTV-CT02EA" will show up to pair with.
5. You will hear another tone when the pairing is complete.

**NOTE:** If your phone is not a smart phone, you will need to enter the password "0000" to connect.

## SD CARD AND USB

1. Insert USB or SD Card then press **MODE** to find.

## TO SET CLOCK

1. Make sure the knob is powered on.
2. Press **MODE** until you see "00:00".
3. Hold **▶▶** for two seconds until the hours start to blink.
4. Press **◀◀** or **▶▶** to adjust the hour.
5. Hold **▶▶** again for two seconds until the minutes start to blink.
6. Press **◀◀** or **▶▶** to adjust the minutes.

7. Once the time has stopped blinking, the time is saved.

**NOTE:** If you power off with the main knob, the time will reset. Powering off with control will save setting.

## FM RADIO

1. Hold **▶▶** for two seconds and radio will search for working FM stations in your area.
2. The radio will automatically save working FM stations as presets.
3. Press **◀◀** to choose last station.
4. Press **▶▶** to choose next station.
5. You can also type in any radio station using the numbers on the remote.

# MUSICHAUS<sup>®</sup> Medicine Cabinet Product Instruction Manual

WHFEL7089-S • WHFEL8069-S



## FEATURES AT A GLANCE:



## TOOLS AND FITTINGS (not supplied with the product):

- Drill
- Screwdriver
- Leveling Ruler

## CARE AND MAINTENANCE:

1. Cabinet should always be cleaned with a soft, damp cloth. All parts must be wiped dry after use or cleaning. A little mild liquid soap can be added to lukewarm water to remove stubborn stains.

⚠ Never use acetic or citric, scrubbing powder or solvent-base cleaners or other chemicals.

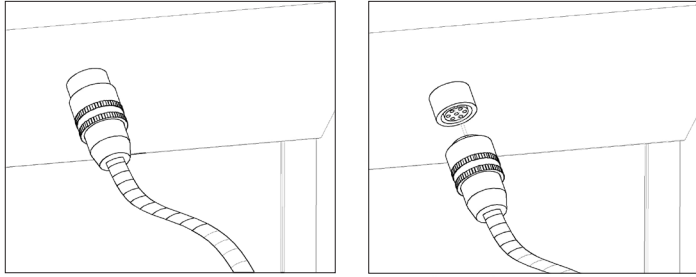
2. Mirrors should only be cleaned with a damp, soft cloth. Do not use commercial glass-cleaning agents. The mirror edges should be wiped dry only.

**NOTE:** We reserve the right to change the features, packing and fittings of the product without notice.

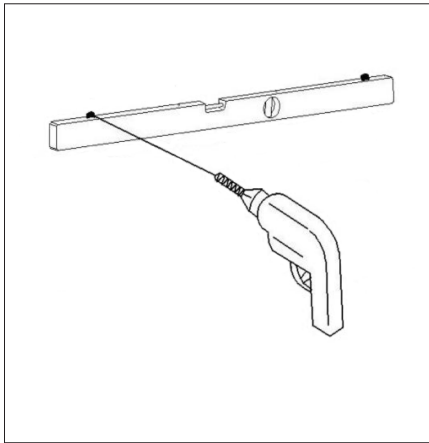
*Whitehaus<sup>®</sup>*

# INSTALLATION INSTRUCTIONS:

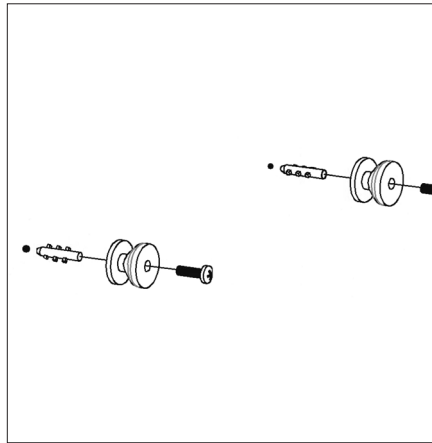
**NOTE:** Contact an electrician for wiring of this product.



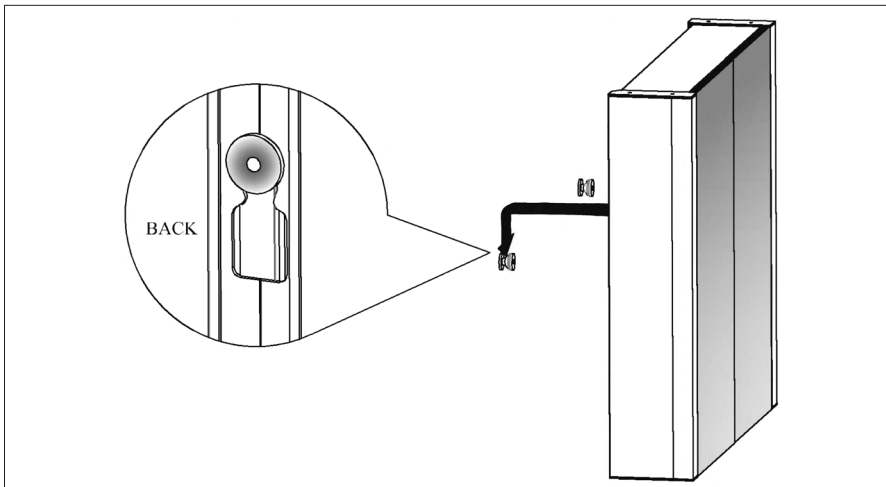
**⚠** Prior to wiring installation, disconnect/unplug the defogger cable. Reconnect after installation.



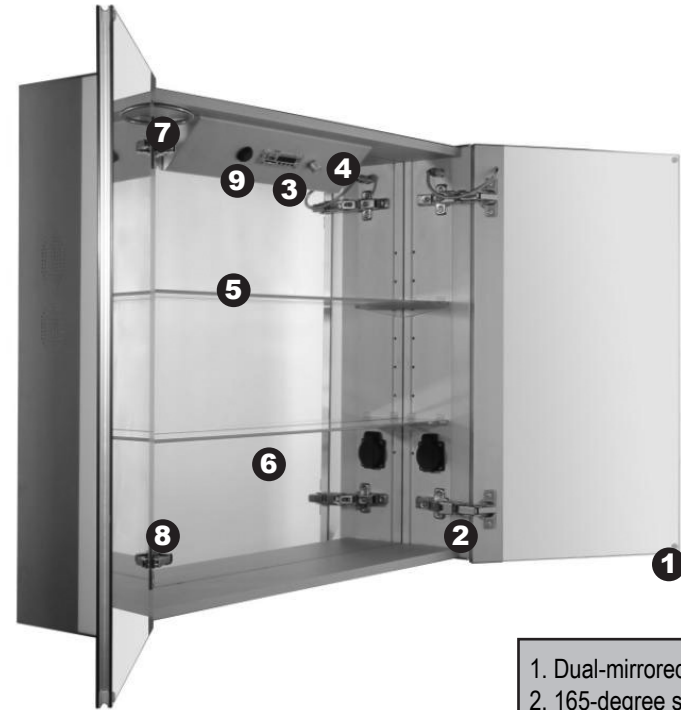
1. Level and mark holes for the brackets with a ruler. Align to recommended or preferred height.  
\* Take proper measurements for installation brackets.



2. Screw bracket into wall.



3. Line medicine cabinet up to bracket and hang on the wall.



1. Dual-mirrored cabinet door
2. 165-degree soft-closing hinge
3. USB, SD Card, Bluetooth, FM Radio
4. Volume knob
5. Adjustable tempered glass shelves
6. Mirrored internal backplash
7. Heavy-duty defogger cable
8. Built-in electric outlet (located inside)
9. Defogger switch
10. LED Illuminating Light
11. LED power button/dimmer for lights  
\*To use light dimmer, hold button to dim light.
12. 4 built-in speakers
13. Anodized aluminum