

CLOSETMAID® Impressions Combo Kits Installation Tips Premium Kit

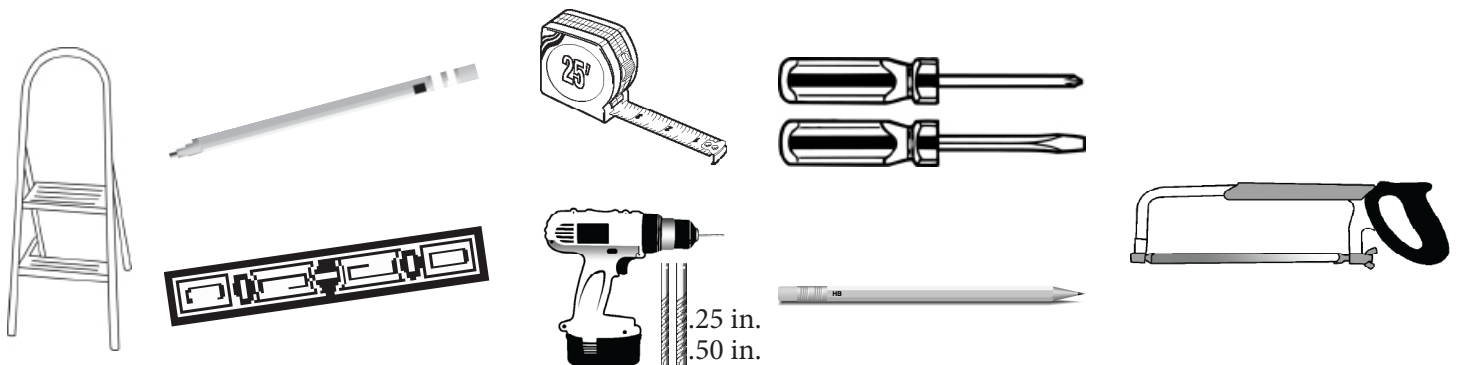
35086; 33861; 17014; 53863

08/17

Available in Dark Cherry, Chocolate, Walnut or White



Tools you will need for assembly:



Getting Started

- Please refer to the instruction sheet provided in the product package for the specifics on required & recommended tools and the assembling the products.
- Take an inventory of the parts for the products purchased to insure you have everything you need for the installation.
- Pre-plan the placement of the towers.

General Tips

- Assemble and build your towers.
- Place your towers, making sure to affix them to the wall as directed.
- Measure the length that the rods will need to be for each side. Make sure that they span between units or unit and wall is not greater than 48 in. The top shelves and closet rods fit a maximum span of 48 in.
- The expandable closet rods are 30 in. to 48 in. long. If the length is shorter than 30 in. the rod will need to be cut.
- Install the closet rods and top shelves.
- Assemble and install any doors and drawers into the tower unit.

Parts List



1 - Impressions
5' - 10' Standard Closet Kit



3 - Impressions
Top Shelf Kits



1 - Impressions
3-Shelf Shoe Organizer



3 - Impressions
25" x 10" Standard Drawer Kit

