

**LAVATORY FAUCET**

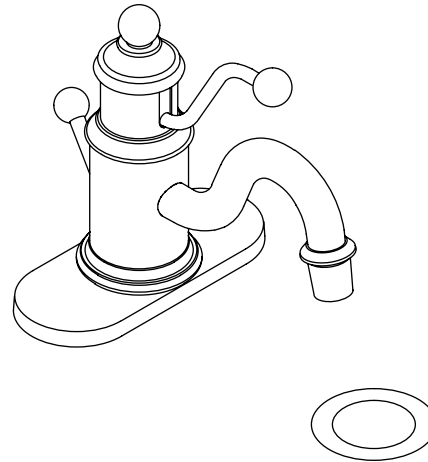
**K-138**

**ALSO K-139**

**ADA**

**Features**

- Brass construction
- Single-hole mounting
- One-piece, self-contained ceramic disc valve allows both volume and temperature control
- Temperature memory allows faucet to be turned on and off at any temperature setting
- 5-3/8" (13.7 cm) spout length
- 2.0 gallons (7.6 L) per minute flow rate [max at 60 psi (4.14 bar)]
- Pop-up drain with lift rod and tailpiece
- Lever handle
- Available with or without 6" escutcheon plate



**Codes/Standards Applicable**

Specified model meets or exceeds the following:

- ASME A112.18.1/CSA B125.1
- Energy Policy Act of 1992
- IAPMO/cUPC
- NSF 61
- ADA

**Colors/Finishes**

- CP: Polished Chrome
- PB: Vibrant® Polished Brass
- Other: Refer to Price Book for additional colors/finishes

**Accessories**

- CP: Polished Chrome
- PB: Vibrant® Polished Brass
- Other: Refer to Price Book for additional colors/finishes

**Specified Model:**

Model	Description	Color/Finish		
K-138	Lavatory faucet with escutcheon plate	<input type="checkbox"/> CP	<input type="checkbox"/> PB	<input type="checkbox"/> Other_____
K-139	Lavatory faucet less escutcheon plate	<input type="checkbox"/> CP	<input type="checkbox"/> PB	<input type="checkbox"/> Other_____
Optional Accessories				
K-14531	6" Escutcheon plate	<input type="checkbox"/> CP	<input type="checkbox"/> PB	<input type="checkbox"/> Other_____

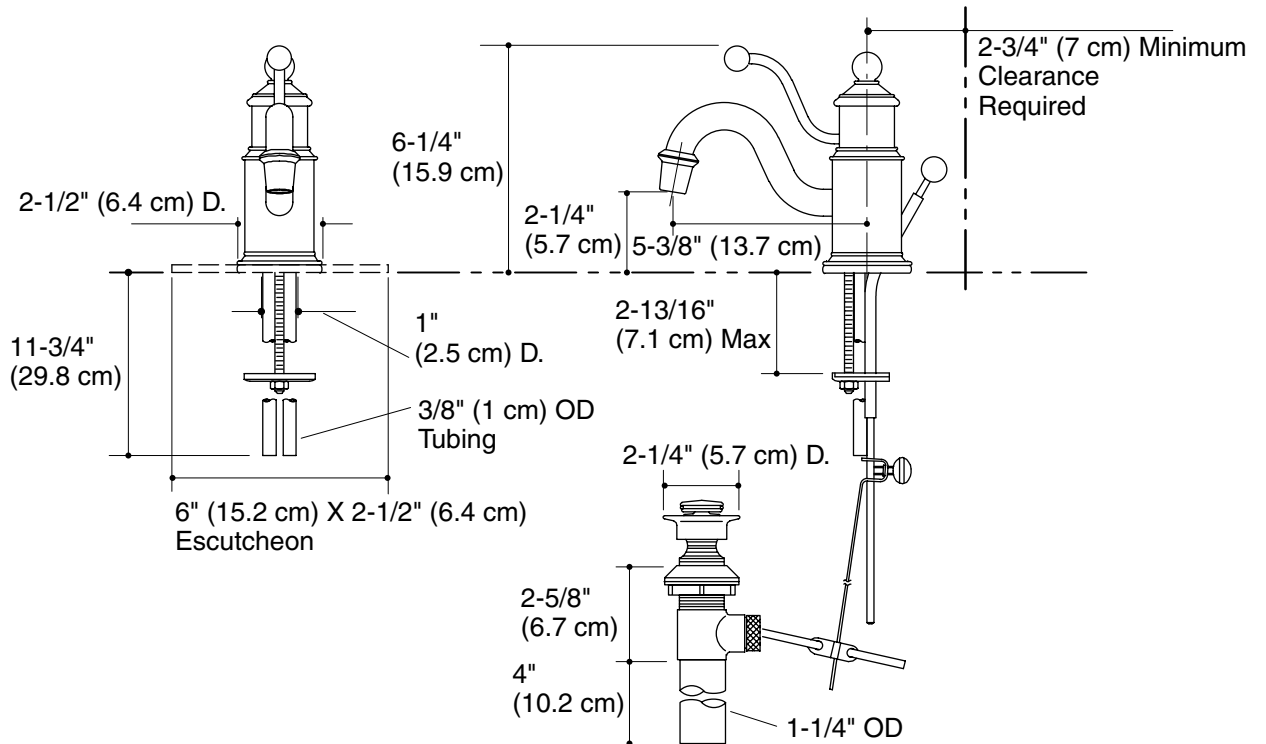
**Product Specification**

Single-hole lavatory faucet shall be of brass construction. The valve shall be a one-piece, self-contained ceramic disc valve, and allows both volume and temperature control. The valve shall feature temperature memory, allowing the faucet to be turned on and off at any temperature setting. Product shall include 5-3/8" (13.7 cm) spout, pop-up drain with lift rod and tailpiece, and lever handle. Optional feature shall be with or without 6" escutcheon plate. Faucet shall be Kohler Model K-\_\_\_\_\_-\_\_\_\_.

# ANTIQUETM

## Installation Notes

Install this product according to the installation guide.



## Product Diagram