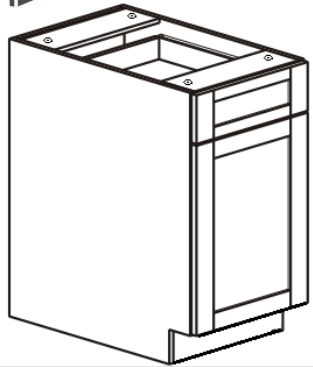


KROSSWOOD

C A B I N E T S

By Modern Classic



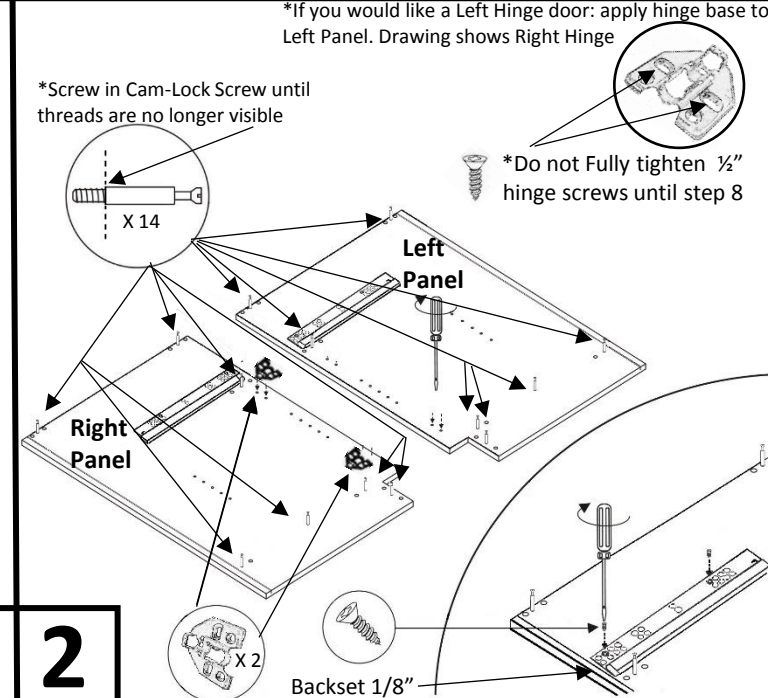
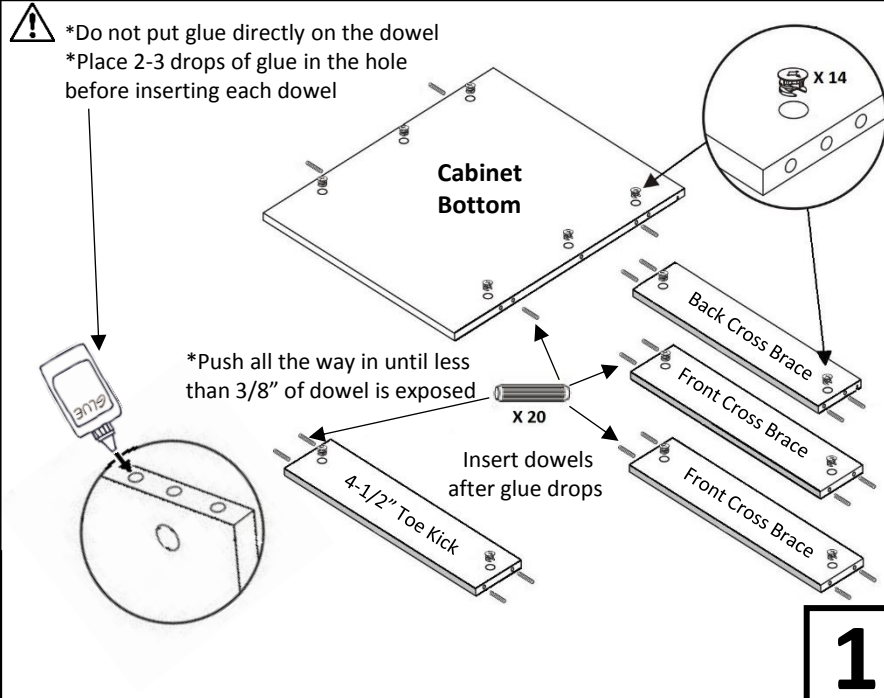
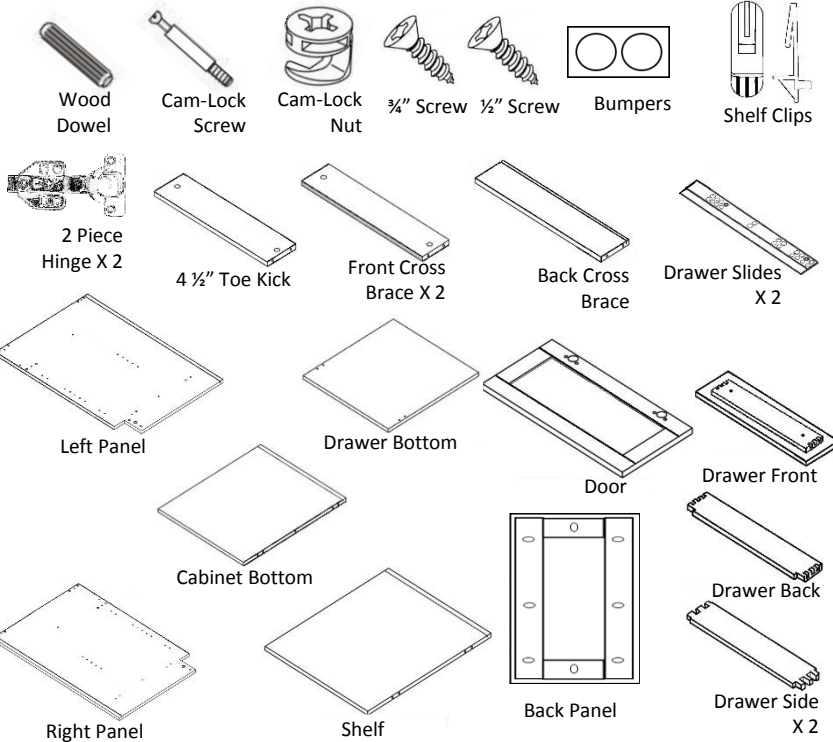
Assembly Instructions

Single Door Base with Drawer

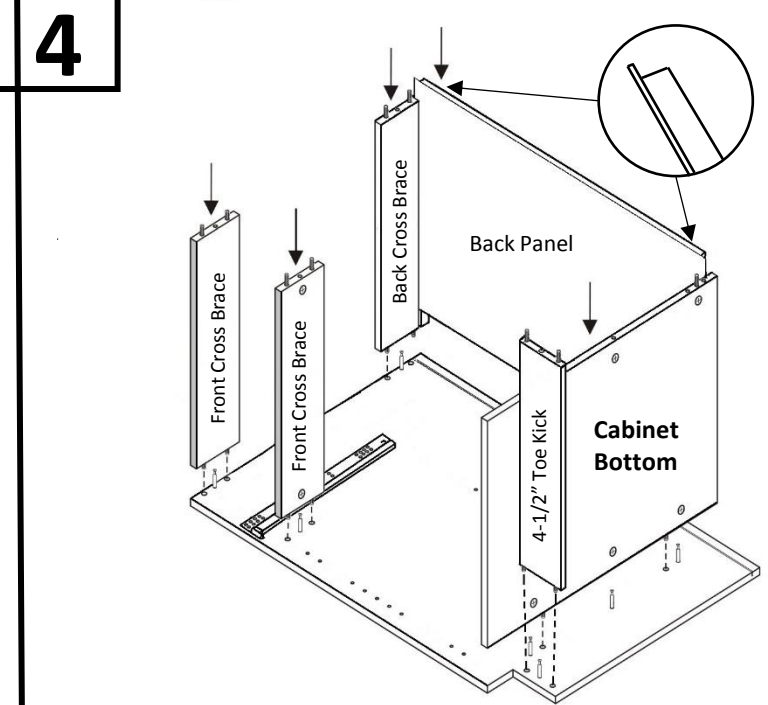
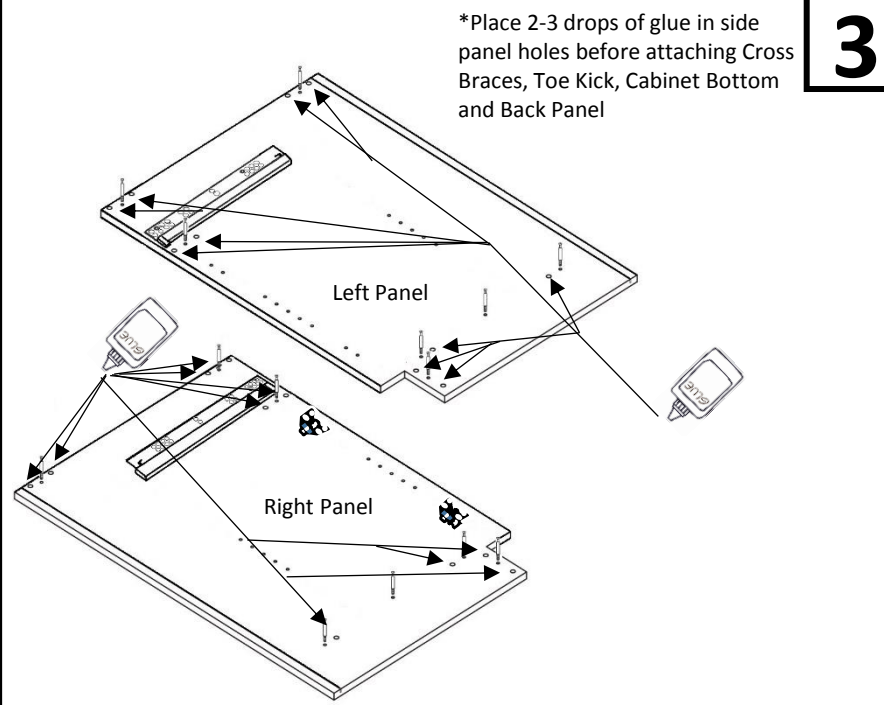
***Right Hand Hinge Placement Shown Throughout**

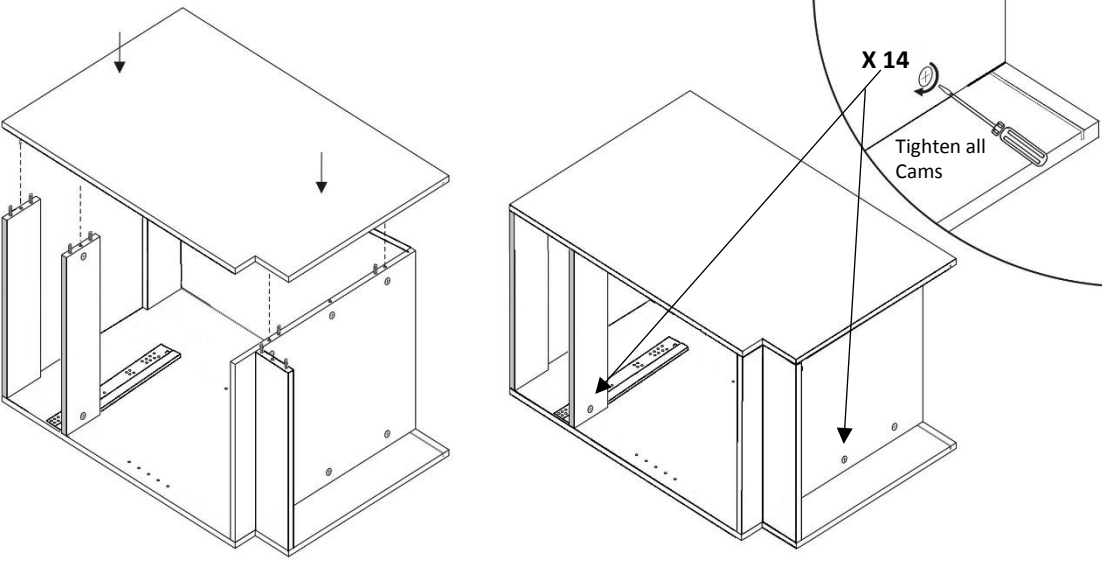
Tools needed but not provided:

- Wood Glue
- Phillips Screwdriver
- Rubber Mallet

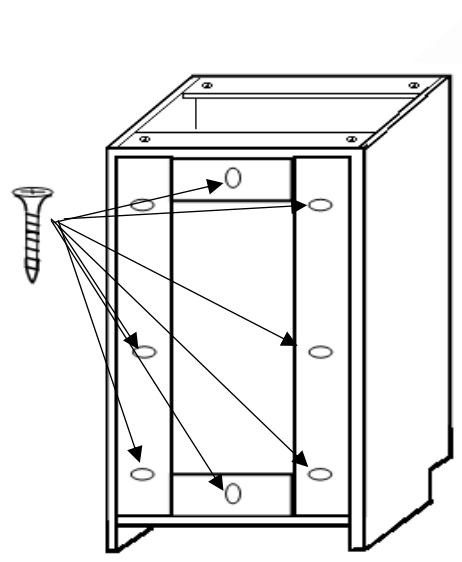


1 2
3 4

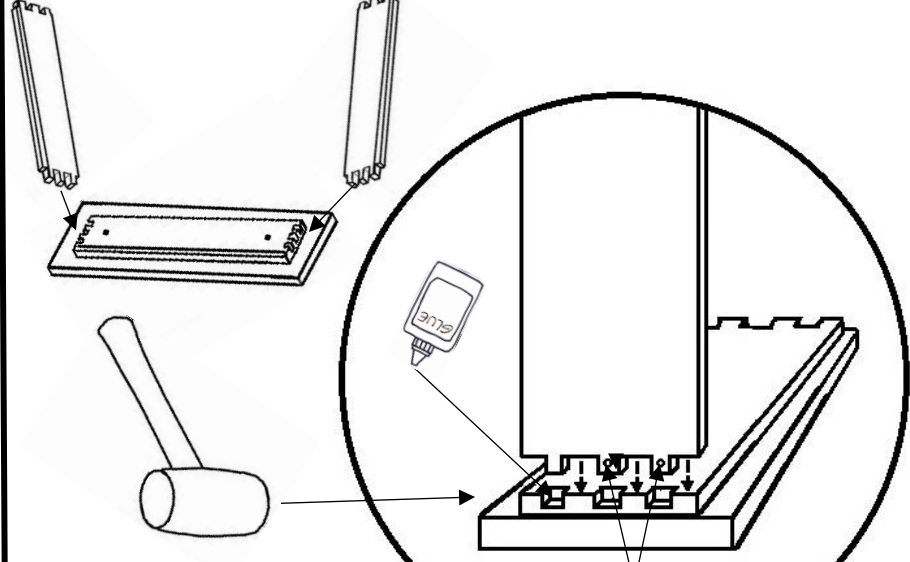




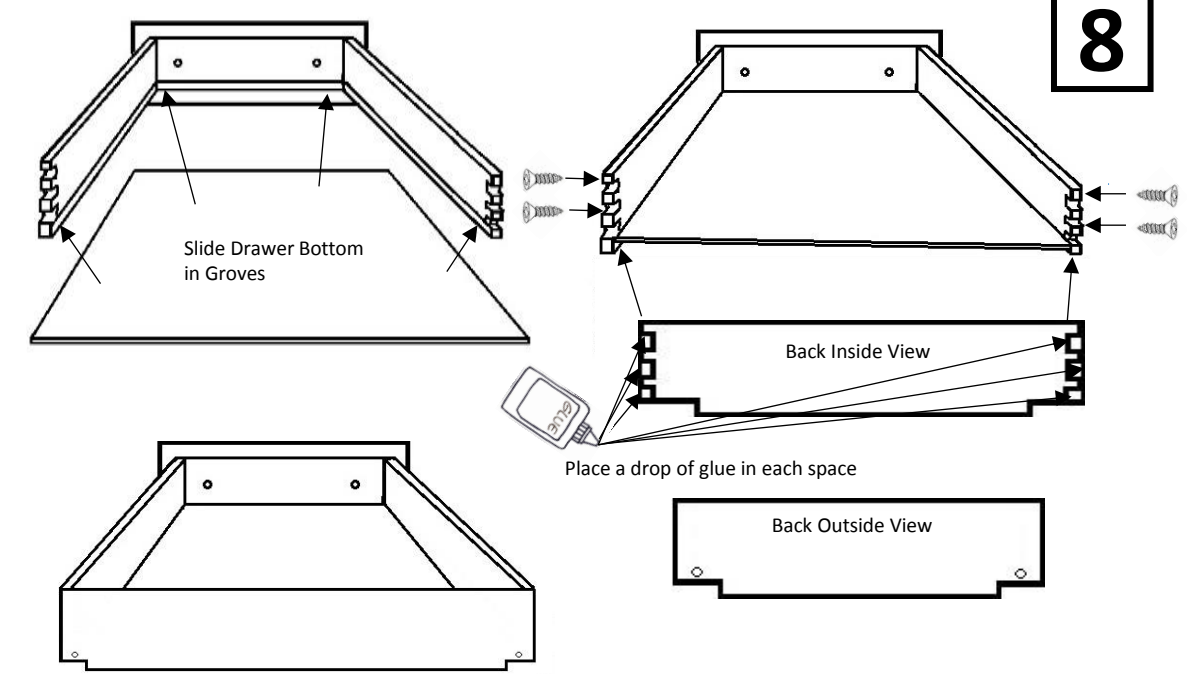
5



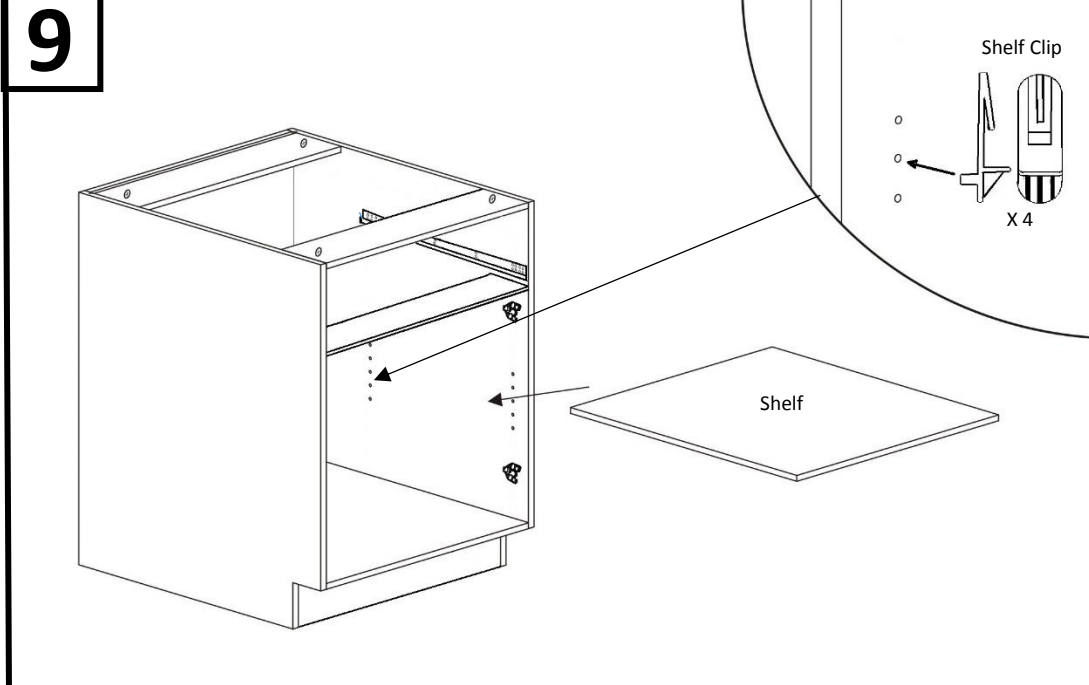
6



7



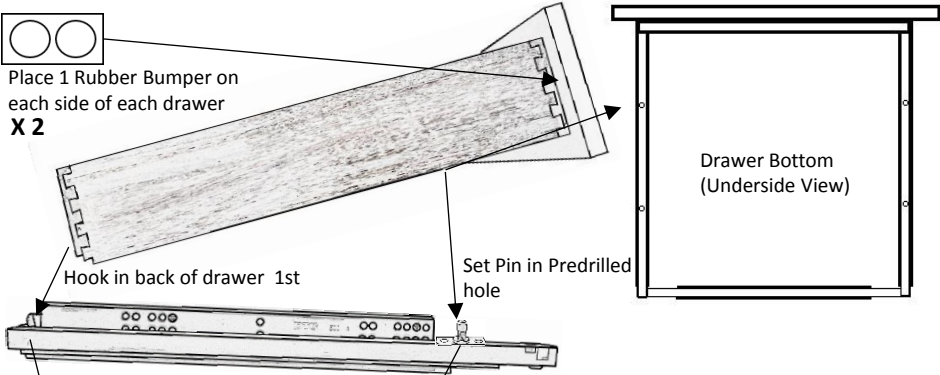
8



9



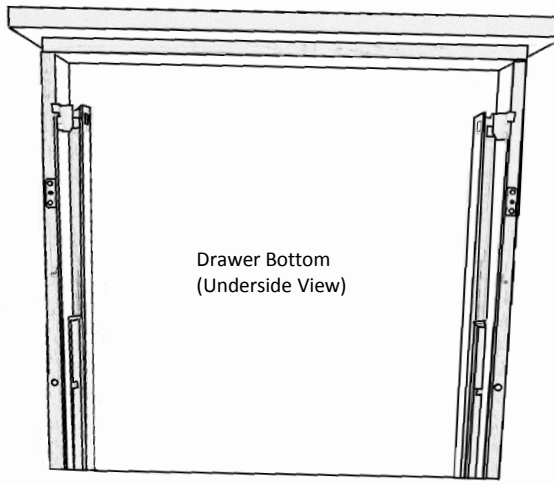
Place 1 Rubber Bumper on each side of each drawer X 2



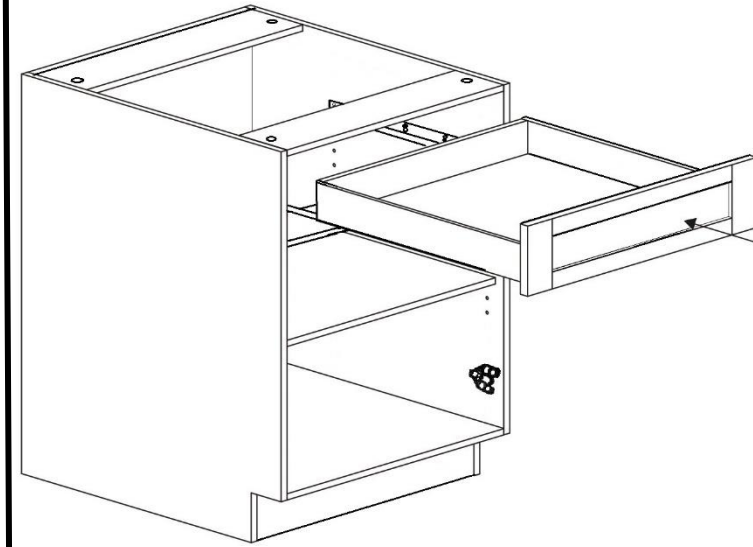
Drawer Bottom (Underside View)

Hook in back of drawer 1st

Set Pin in Predrilled hole



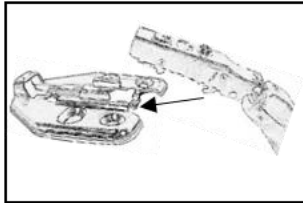
Drawer Bottom (Underside View)



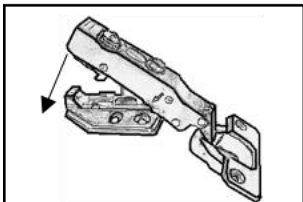
1011

12

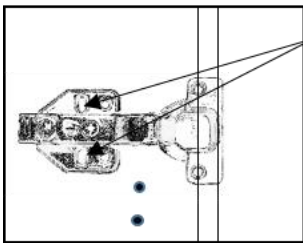
13



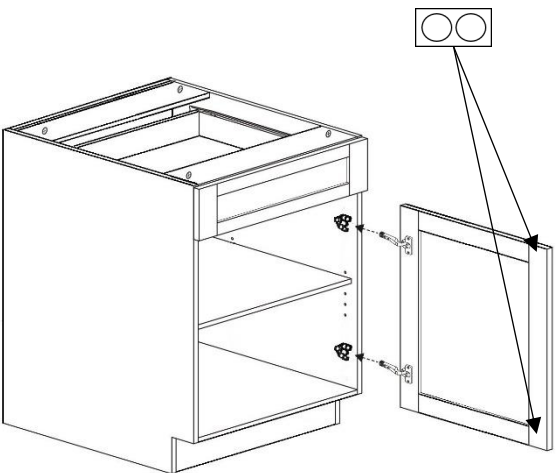
1. Hook hinge in front plate



2. Once hinge is hooked, press until it snaps in place

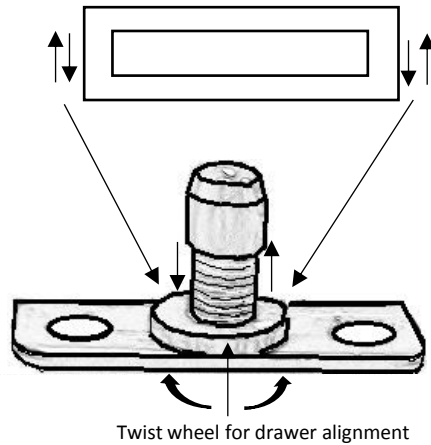


3. Tighten 1/2" screws from Step 2



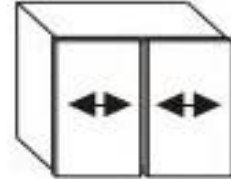
14

Drawer Adjustment

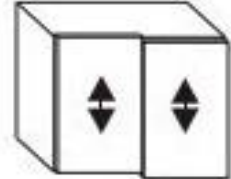


Twist wheel for drawer alignment

Hinge Adjustment as Needed For Door Alignment



Side-Side



Up-Down



Front-Back (In/Out)

