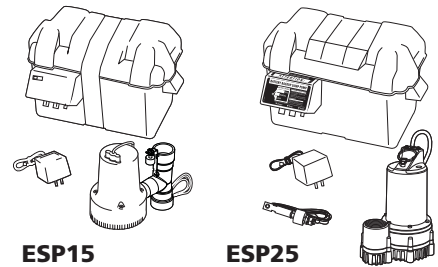


WAYNE®

12V Battery Back-up Systems

Please read and save these instructions. Read carefully before attempting to assemble, install, operate or maintain the product described. Protect yourself and others by observing all safety information. Failure to comply with instructions could result in personal injury and/or property damage! Retain instructions for future reference.



ESP15

ESP25

Operating Instructions and Parts Manual

ESP15, ESP25

Description

The ESP15 and ESP25 are battery operated back-up sump pump systems. It does not replace a regular primary pump. It is designed to provide protection in the event household electrical power fails.

Unpacking

Inspect this unit before it is used. Occasionally, products are damaged during shipment. If the pump or components are damaged, call our customer service department at 1-800-237-0987.

Safety Guidelines

This manual contains information that is very important to know and understand. This information is provided for SAFETY and to PREVENT EQUIPMENT PROBLEMS. To help recognize this information, observe the following symbols.

DANGER DANGER indicates an imminently hazardous situation which, if NOT avoided, WILL result in death or serious injury.

WARNING WARNING indicates a potentially hazardous situation which, if NOT avoided, COULD result in death or serious injury.

CAUTION CAUTION indicates a potentially hazardous situation which, if NOT avoided, MAY result in minor or moderate injury.

NOTICE NOTICE indicates important information, that if NOT followed, MAY cause damage to equipment.

General Safety Information CALIFORNIA PROPOSITION 65

WARNING This product or its power cord contains chemicals known to the State of California to cause cancer and birth defects or other reproductive harm. Wash hands after handling.

GENERAL SAFETY

DANGER Do NOT use to pump flammable or explosive fluids such as



gasoline, fuel oil, kerosene, etc. Do NOT use in a flammable and/or explosive atmosphere. Pump SHOULD only be used to pump clear water. Personal injury and/or property damage COULD result.

DANGER All wiring MUST be performed by a qualified electrician. Failure to follow this warning COULD result in fatal electrical shock.

DANGER If the basement has water or moisture on the floor, do NOT walk on wet area until all power is turned off. If the shutoff box is in the basement, call an electrician. Remove pump and either repair or replace. Failure to follow this warning COULD result in fatal electrical shock.



WARNING Do NOT expose battery to sparks or flames as an explosion or fire COULD result.



WARNING Battery acid is corrosive. Avoid spilling on skin or clothing. Eye protection MUST be worn when handling the battery.



WARNING A check valve MUST be used on the primary sump pump discharge (see Figure 1).

WARNING A ground fault circuit interrupter is required.

NOTICE This pump MUST only be used to pump clear water. This pump is NOT designed to handle effluent, salt water, brine, laundry discharge or any other application which MAY contain caustic chemicals and/or foreign materials. Pump damage MAY occur if used in these applications and WILL void warranty.

Battery Requirements

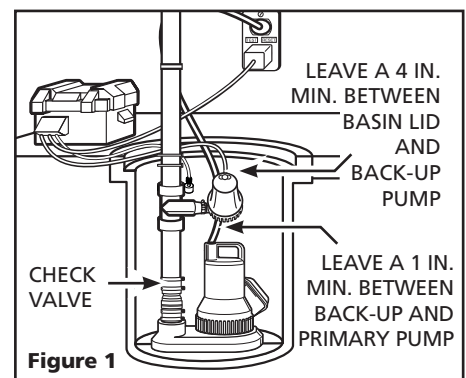
1. Use only a new fully charged 12 V deep cycle battery. Electrolyte level must be checked and maintained in accordance with manufacturer's guidelines.

2. Battery sizes that will fit into the battery box are 24C, 24VCM, 27C, 27CM, and 27F.
3. Battery recharge time will be different at each installation. Under normal conditions it will take two to four days to bring a deep cycle battery back to full charge after it has been discharged. If electrical power to the house is lost more than once a week, consider keeping a spare, fully-charged battery to replace an exhausted battery for the back-up sump pump.

Installation - ESP15

NOTICE Installation of this unit may take several hours. Before disabling your main pump, have ready an appropriate means of evacuating the sump.

1. Turn power to main pump off.
2. Pump must be installed using 1-1/4 in. or 1-1/2 in. rigid PVC piping. A check valve (not included) must be installed between the ESP's tee and the main pump (see Figure 1).

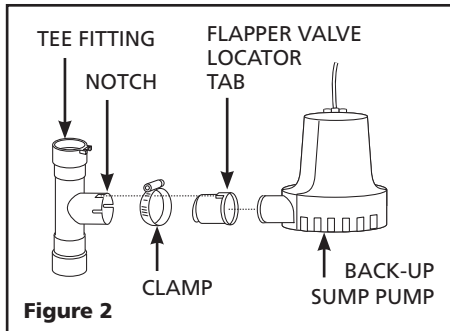


3. Measure and cut discharge pipe so that back-up pump is a minimum of 1 in. above the main pump. This will allow main pump to operate normally (see Figure 1).
4. Check the fit of the components before permanently attaching. Using PVC cement, glue tee in place. Note the up direction arrow on the tee; the notch must be to the top or flapper valve will not work (see Figure 2).

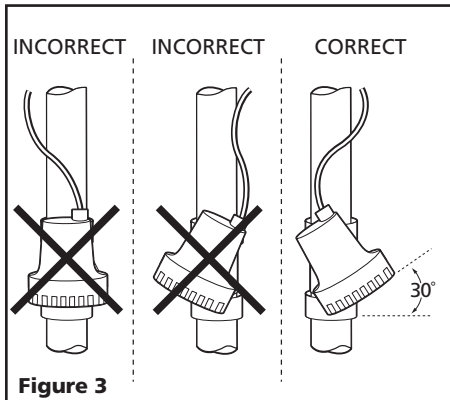
**REMINDER: Keep your dated proof of purchase for warranty purposes!
Attach it to this manual or file it for safekeeping.**

Installation - ESP15 (continued)

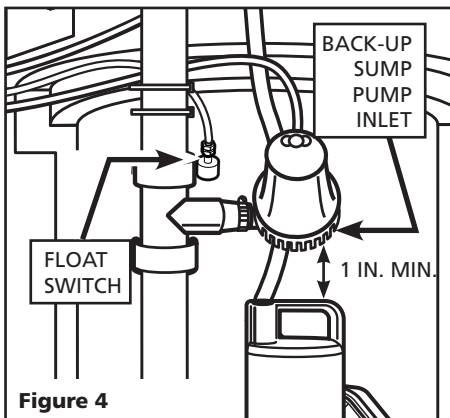
5. Insert flapper valve into tee. Be sure locator tab is in the notch of the tee fitting (see Figure 2).



6. Slide clamp onto tee.
7. Insert pump into flapper valve, tilt pump 30°. When tilted, the side with the power cord should be up (see Figure 3). Tighten clamp around the pump and flapper valve (see Figure 2).



WARNING Pump must be tilted as shown in Figure 3 to prevent air locking.



8. To install float switch for standby pump, first slide bracket into slot on top of tee. Secure bracket with screw provided. Remove top hex nut from switch and slide the cord up and out of the way. Slip cord through slot in bracket, pull threaded stud through

hole, and secure with nut. Make sure that float switch is above pump base and that power wires do not interfere with float switch or pump inlet.

Installation - ESP25

NOTICE Installation of this unit may take several hours. Before disabling your main pump, have ready an appropriate means of evacuating the sump.

1. Turn power to main pump off.
2. Pump must be installed using 1-1/4" or 1-1/2" rigid PVC piping.

PUMP INSTALLATION

The ESP25 can be installed as a back-up system with a separate dedicated discharge line (Method 1), or tied into an existing sump pump line (Method 2, Page 3).

DANGER Unplug the existing AC pump. Failure to follow this warning could result in fatal electrical shock.

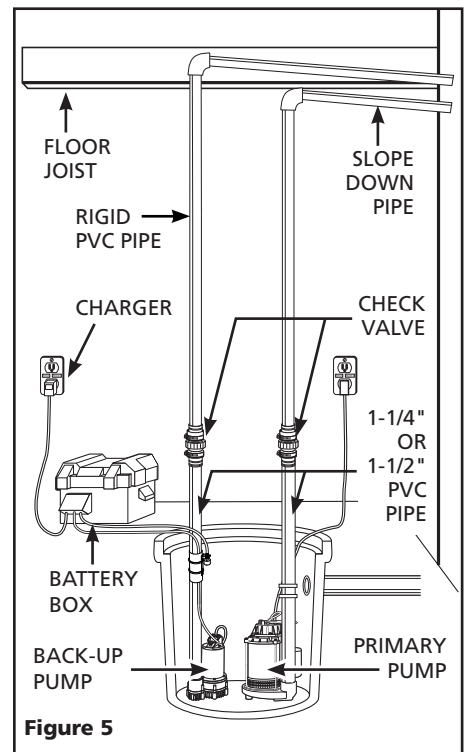
1. Verify that the existing AC pump is in good working order. If the AC pump is questionable, it is typically recommended that the unit be replaced with a 1/3 or 1/2 HP pump.
2. Remove any silt or accumulated debris from the sump pit and surrounding area.

Method 1 (Preferred)

1. Place the back-up pump on a solid, level surface in the sump pit. Do not place the pump on a loose or sandy surface. Small stones or sand may damage the pump resulting in potential pump failure.
2. This pump has a 1-1/2 in. NPT discharge. If a 1-1/4 in. discharge pipe is desired, an adapter (sold separately) will be necessary. Smaller diameter piping will reduce pump flow, rate and performance.
3. Cut a 4 ft. section of 1-1/4 in. or 1-1/2 in. diameter rigid PVC pipe. Cement 1-1/4 in. pipe to a threaded fitting. Cement 1-1/4 in. pipe into pipe coupling. Attach 1-1/4 in. pipe section to the ESP25 discharge adapter.
4. Screw PVC pipe onto pump discharge.

NOTICE Be careful not to strip or cross thread plastic fittings or check valves. Flex hose is not recommended. Rigid PVC or metal pipe is required for a permanent installation.

5. Place the pump with the 4' section of PVC pipe on a solid, level surface in the sump pit on an elevated surface.



6. Attach a rubber check valve (sold separately) to the top of the discharge pipe. This will allow the pump or check valve to be removed easily for servicing.

NOTE: Check valves can be placed directly in the pump discharge if desired. However, for ease of disassembly, it is recommended that check valves be placed above the sump as shown in Figure 1, page 1.

The remainder of the discharge pipe installation will vary depending on individual circumstances. Using sound plumbing practices, route the discharge pipe to an exterior wall by the shortest path. Keep turns to a minimum because they reduce flow output of the pump. The pipe that exits the building structure should be sloped downward so that water will not freeze in the pipe.

When installing the separate discharge pipe, drill through the outside wall with appropriate drilling equipment. Seal the hole to prevent water from entering.

Method 2

If a separate, dedicated discharge is not possible as in Method 1, the ESP25 pump can be tied in to the primary pump's discharge pipe by installing a "Y" connector. Two check valves will be required.

1. Locate the ESP25 on a solid, level surface in the sump pit. Do not place the pump on a loose or sandy surface. Small stones or sand may damage the pump resulting in potential pump failure.

Installation - ESP25 (continued)

2. This pump has a 1-1/2 in. NPT discharge. If a 1-1/4 in. discharge pipe is desired, an adapter (not included) will be necessary. Smaller diameter piping will reduce pump flow, rate and performance.
3. A check valve will be required in the discharge line of both the Main AC pump and the ESP25 pump to prevent recirculation of water into the sump pit. System will not function without two check valves.
4. Cut a 4 ft. section of 1-1/4 in. or 1-1/2 in. diameter rigid PVC pipe. Cement 1-1/2 in. pipe to a threaded fitting. Cement 1-1/4 in. pipe into pipe coupling. Attach 1-1/4 in. pipe section to the ESP25 discharge adapter.
5. Screw on to pump discharge.

NOTICE *Be careful not to strip or cross thread plastic fittings or check valves. Flex hose is not recommended. Rigid PVC or metal pipe is required for a permanent installation.*

6. Place the pump with the 4' section of PVC pipe on the sump floor or on an elevated surface if required.
7. Attach a rubber check valve (sold separately) to the top of the discharge pipe. This will allow the pump or check valve to be removed easily for servicing.

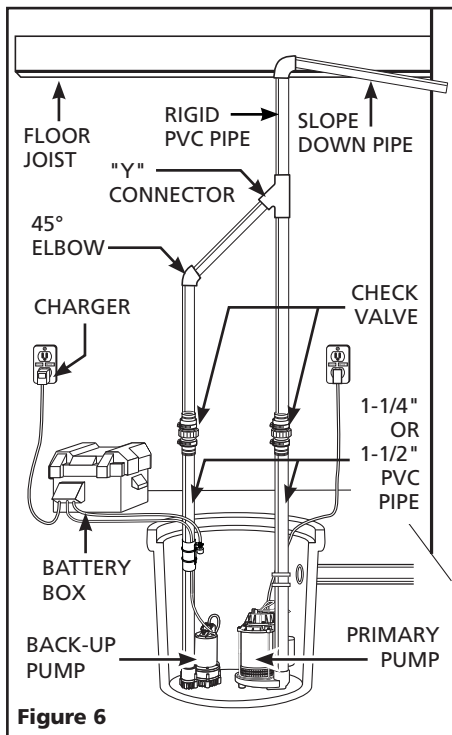


Figure 6

8. Duplicate the discharge piping arrangement for the primary AC pump if the existing discharge line has to be adjusted to accommodate a second pump.
9. Glue a 45° elbow to the short pipe on the ESP25 pump. Glue a "Y" adapter to the short pipe on the existing pump, as shown in illustration for Method 2.
10. Glue a short piece of PVC pipe between the 45° elbow and the "Y".

NOTE: Check valves can be placed directly in the pump discharge if desired. However, for ease of disassembly, it is recommended that check valves be placed above the sump as shown in Figure 2, page 2.

The remainder of the discharge pipe installation will vary depending on individual circumstances. Using sound plumbing practices, route the discharge pipe to an exterior wall by the shortest distance.

Methods 1 and 2

Install float switch at least 10 in.-12 in. above bottom of sump pit so that backup unit turns on only when the water level is higher than the normal "on" level for primary pump. Use the wire ties provided to secure the switch to the discharge pipe. Make sure power wires do not interfere with float switch, pump inlet, or main pump operation. Backup pump must not be allowed to run dry.

Control Box Installation - ESP15 & ESP25

1. Attach control box to the side of battery box as shown in Figure 7. Place battery in box, attach red cable to positive battery post and black cable to negative post. Put lid on box.

CAUTION *If cables are reversed, damage to the control box or battery could result, and warranty will be void.*

2. Place battery box within 6 ft. of the sump and a 115 VAC separately fused outlet. The outlet must be protected by a ground fault circuit interrupter (GFCI). The area must also be clean, dry and well-ventilated.
3. Plug the float switch, pump, and charger into the control box. (connections are marked on the control box).
4. Test pump operation by filling the sump with water while the main pump is unplugged. If the pump

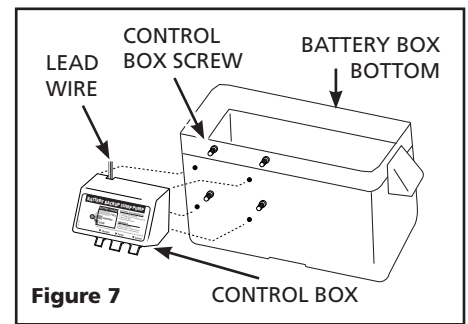


Figure 7

operates properly, plug the charger into the GFCI protected outlet to begin charging the battery.

5. Protect electrical cord from sharp objects, hot surfaces, oil, and chemicals. Avoid kinking the cord and replace damaged components immediately.

Operation

DANGER *ALWAYS disconnect the power source before attempting to install, service, relocate or maintain the pump. NEVER touch sump pump, pump motor, water or discharge piping when pump is connected to electrical power. NEVER handle a pump or pump motor with wet hands or when standing on wet or damp surface or in water. Fatal electrical shock COULD occur.*



WARNING *Risk of electrical shock! This pump is supplied with a grounding conductor and grounding type attachment plug. Use a grounded receptacle to reduce the risk of fatal electrical shock. NEVER cut off the round grounding prong. Cutting the cord or plug will void the warranty and make the pump inoperable.*



1. With a fully charged battery, test Back-up Pump operation by filling the sump with water while the primary pump is unplugged. If the Back-up Pump operates properly, plug the charger into the GFCI protected outlet and the primary pump into a separate GFCI outlet.
2. After installation, the standby pump will start when the water level rises above the depth that the primary pump should start.
3. The control box has a DC charger designed to shorten the recharging time of your battery, and to prevent overcharging. In addition, the control box has a time delay which keeps the pump from repeated, short cycles when it shuts off. This time delay feature will allow the pump to run 20-25 seconds after the switch reaches the off position.

Operation (continued)

4. The control box contains a multi-colored indicator light. When AC power is present, the light will indicate the charging state, and not reflect actual battery voltage, particularly with a defective battery. In order for the indicator light to provide an accurate reading, steps "a" through "d" must be followed.
 - a. Unplug primary AC pump and the charger--a power off alert tone will sound for 30 seconds.
 - b. Lift and release the float switch to activate the back-up pump.
 - c. When the back-up pump stops, read the test light:
 - Green:** Indicates battery is charged.
 - Yellow:** Voltage is low, indicating battery is partially charged.
 - Red:** Battery is completely discharged or defective.
 - d. Plug in charger and main AC pump.

When AC power is out, and when pump has been running, the light will indicate battery status.

5. A chirping sound from the control box will accompany the red light, indicating that the battery may require attention or replacement. Voltage is only an indicator of battery condition and may not reflect the true condition of the battery. See Maintenance for instructions on assessing battery condition.
6. A single 30-second tone will sound when power to the system is interrupted. The unit will reset automatically when power is restored. A 3-second tone will sound every time the pump starts.

Maintenance

⚠ DANGER ALWAYS disconnect the electrical supply before attempting to install, service, relocate or perform any maintenance. If the power source is out of sight, lock and tag in the open (off) position to prevent unexpected power application. Failure to do so could result in fatal electrical shock. Only qualified electricians should repair this unit. Improper repair could result in fatal electrical shock.



1. Once a month, check battery condition.
2. Unplug the wall charger.

3. For batteries with top caps that can be removed, the electrolyte level should be checked and filled to manufacturer's specifications. The charge for each cell should be checked with a hydrometer. A specific gravity of 1.265 indicates the battery is at full charge. If the specific gravity of any of the cells varies more than .050, the battery should be replaced.

NOTE: An inexpensive hydrometer can be purchased at an automotive parts dealer.
4. Inspect the terminals and clamps for corrosion and tightness. Clean and tighten as required.
5. Unplug the main pump and fill sump with water until back-up pump turns on. Repeat process two times to be sure pump is operating normally.
6. If pump operates normally, plug charger into wall outlet, turn on main pump. If pump fails to operate normally, see Troubleshooting chart and correct problem. Repeat step 5.

BATTERIES

⚠ DANGER Dangerous hydrogen gas can be released from batteries while charging. Sparks can ignite the gas in an enclosed space. Wear safety goggles when connecting batteries. Battery connections should be made in a well-ventilated area.

Troubleshooting Chart - Back-up Pump

Symptom(s)	Possible Cause(s)	Corrective Action(s)
Pump will not run	<ol style="list-style-type: none"> 1. Connections not secure 2. Low battery 3. Float switch obstruction 4. Defective or blown fuse 	<ol style="list-style-type: none"> 1. Check all connections 2. Check battery and replace if low 3. Make sure nothing is interfering with the operation of the switch 4. Check internal fuse located inside the control box. Pull the charger from the wall outlet and remove. If the fuse is blown, replace it with a 15 amp automotive type fuse
Motor hums but pump won't run	<ol style="list-style-type: none"> 1. Defective battery 2. Obstructed impeller 	<ol style="list-style-type: none"> 1. Check battery and replace if low or defective 2. Unplug pump and check to see if impeller is free to turn. If impeller is locked, remove the 4 screws on the bottom of the pump to release the housing around the impeller. Remove the obstruction. Reassemble pump and reconnect
Pump runs but pumps very little or no water	<ol style="list-style-type: none"> 1. Check valve missing or improperly installed 2. Obstruction in discharge pipe 3. Pump not rotated 30° 4. Pump air locked 5. Discharge pipe length and / or height exceeds capacity of pump 6. Low or defective battery 	<ol style="list-style-type: none"> 1. Check to make sure a check valve is installed and functioning between primary pump discharge and standby sump pump tee fitting 2. Check for obstruction and clear if necessary 3. Check that pump is rotated 30° in tee fitting in ESP15 Installation section, Figure 3, on page 2 4. The impeller housing has a small hole on its side. This hole must be open for the pump to prime. With the pump unplugged, remove the 4 screws on the bottom of the pump to release the housing around the impeller. Clean out the hole and replace cover 5. If discharge is too high, a separate line may be required with a lower discharge height 6. Check battery and replace if low or defective
Pump cycles too frequently	<ol style="list-style-type: none"> 1. Main check valve located between the discharge of the primary pump and the back-up sump pump tee fitting or the back-up sump pump flapper valve not installed or working properly 	<ol style="list-style-type: none"> 1. Install check valve or repair as required

Maintenance (continued)

⚠ DANGER Working in the vicinity of lead acid batteries can be dangerous. Before making connections or servicing the batteries, read and follow instructions in all applicable instruction manuals. To reduce the risk of battery explosion, follow the instructions in this manual and those published by the battery manufacturer, as well as those of any other equipment used in the surrounding area.

⚠ WARNING If battery acid contacts your eye(s), flush with cold running water for 10 minutes and seek immediate medical attention. If acid contacts your skin or clothing, wash immediately with soap and water.

⚠ WARNING Never smoke or allow a spark or flame in the vicinity of the battery.

⚠ WARNING Avoid dropping metal tools on the battery posts because they may spark or short-circuit the system or battery, causing an explosion.

Follow battery manufacturer's maintenance procedures and schedules. Be certain that the area around the batteries is well ventilated. Before servicing the batteries, blow away gasses by waving a piece of cardboard near the batteries.

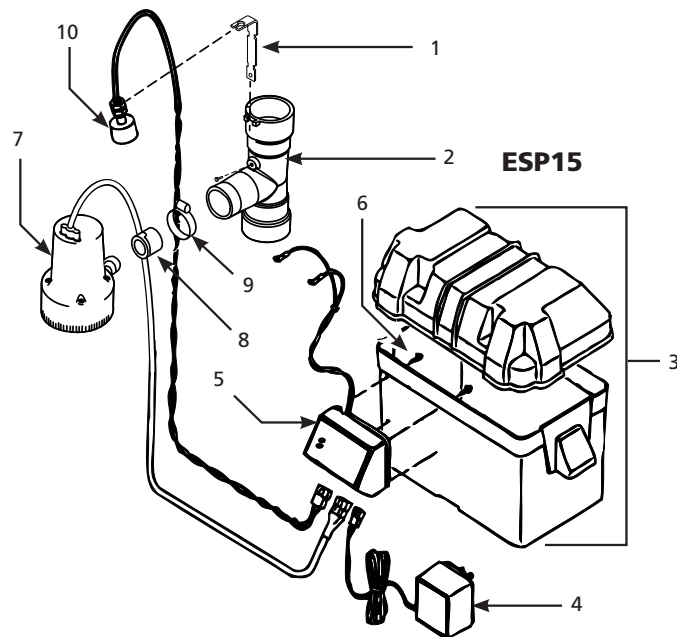
For Replacement Parts, call 1-800-237-0987

Please provide following information:
 - Model number
 - Serial number (if any)
 - Part description and number as shown in parts list

Address parts correspondence to:
 WAYNE Water Systems
 101 Production Drive
 Harrison, OH 45030 U.S.A.

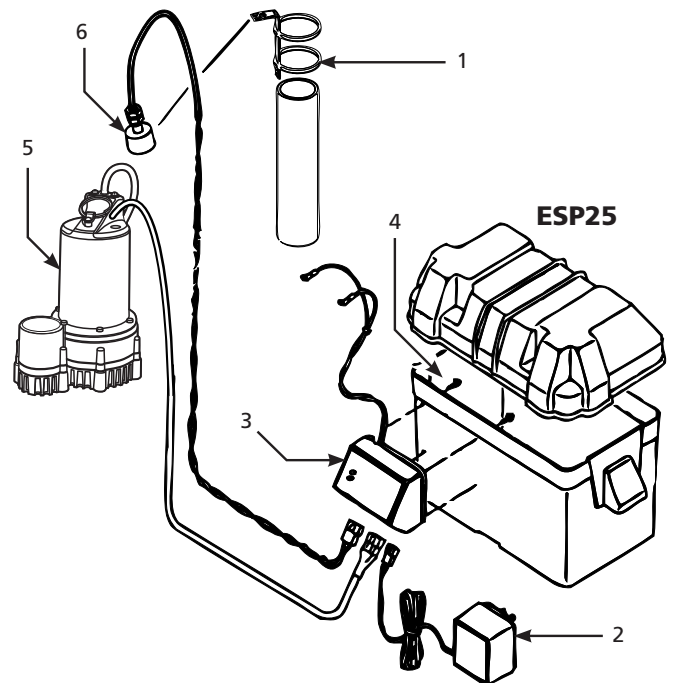
Repair Parts List – ESP15

Ref. No.	Description	Part Number	Qty
1	Bracket	46049-001	1
2	Tee fitting	17233-002	1
3	Battery box	23217-001	1
4	Charger	17220-004	1
5	Control box	30209-003	1
6	Screw control box	16119-002	4
7	Pump	17218-003	1
8	Flapper valve	17216-001	1
9	Clamp hose	16044-001	1
10	Float switch	30033-001	1



Repair Parts List – ESP25

Ref. No.	Description	Part Number	Qty
1	Bracket	46049-001	1
2	Charger	30221-001	1
3	Control box	30222-004	1
4	Screw control box	16119-002	4
5	Pump	58324-001	1
6	Float switch	30033-001	1



LIMITED WARRANTY

System ESP15: For one (1) year from the date of purchase, WAYNE Water Systems ("WAYNE") will repair or replace, at its option, for the original purchaser any part or parts of its Sump Pumps or Water Pumps ("Product") found upon examination by WAYNE to be defective in materials or workmanship.

System ESP25: For two (2) years from the date of purchase, WAYNE Water Systems ("WAYNE") will repair or replace, at its option, for the original purchaser any part or parts of its Sump Pumps or Water Pumps ("Product") found upon examination by WAYNE to be defective in materials or workmanship.

Please call WAYNE (1-800-237-0987) for instructions or see your dealer. Be prepared to provide the model number and the serial number when exercising this warranty. All transportation charges on Products or parts submitted for repair or replacement must be paid by purchaser.

This Limited Warranty does not cover Products which have been damaged as a result of accident, abuse, misuse, neglect, improper installation, improper maintenance, or failure to operate in accordance with WAYNE's written instructions.

THERE IS NO OTHER EXPRESS WARRANTY. IMPLIED WARRANTIES, INCLUDING THOSE OF MERCHANTABILITY AND FITNESS FOR A PARTICULAR PURPOSE, ARE LIMITED TO ONE (1) YEAR FROM THE DATE OF PURCHASE ON SYSTEM ESP15 AND TWO (2) YEARS FROM THE DATE OF PURCHASE ON SYSTEM ESP25. THIS IS THE EXCLUSIVE REMEDY AND ANY LIABILITY FOR ANY AND ALL INDIRECT OR CONSEQUENTIAL DAMAGES OR EXPENSES WHATSOEVER IS EXCLUDED.

Some states do not allow limitations on how long an implied warranty lasts, or do not allow the exclusions or limitations of incidental or consequential damages, so the above limitations might not apply to you. This limited warranty gives you specific legal rights, and you may also have other legal rights which vary from state to state.

In no event, whether as a result of breach of contract warranty, tort (including negligence) or otherwise, shall WAYNE or its suppliers be liable for any special, consequential, incidental or penal damages including, but not limited to loss of profit or revenues, loss of use of the products or any associated equipment, damage to associated equipment, cost of capital, cost of substitute products, facilities, services or replacement power, downtime costs, or claims of buyer's customers for such damages.

You **MUST** retain your purchase receipt along with this form. In the event you need to exercise a warranty claim, you **MUST** send a **COPY** of the purchase receipt along with the material or correspondence. Please call WAYNE (1-800-237-0987) for return authorization and instructions.

DO NOT MAIL THIS FORM TO WAYNE. Use this form only to maintain your records.

MODEL NO. (PRIMARY PUMP) _____

MODEL NO. (BACK-UP PUMP) _____

SERIAL NO. (PRIMARY PUMP) _____

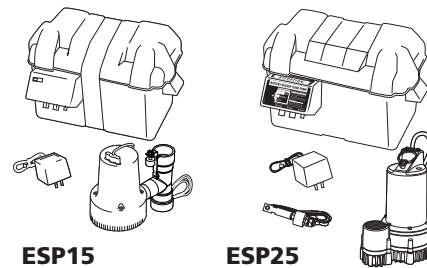
SERIAL NO. (BACK-UP PUMP) _____

INSTALLATION DATE _____

ATTACH YOUR RECEIPT HERE

WAYNE® Systèmes de secours par batterie de 12V

Veillez lire et conserver ces instructions. Lire attentivement avant de commencer à assembler, installer, faire fonctionner ou entretenir l'appareil décrit. Protégez-vous et les autres en observant toutes les informations sur la sécurité. Négliger d'appliquer ces instructions peut résulter en des blessures corporelles et/ou en des dommages matériels! Conserver ces instructions pour références ultérieures.



ESP15

ESP25

Instructions d'Utilisation et Manual de Pièces

ESP15, ESP25

Description

ESP15 et ESP25 sont des systèmes de pompe de puisard de secours fonctionnant sur batterie. La pompe de secours ne remplace pas la pompe principale. Elle est conçue pour fournir la protection contre les pannes d'électricité domestiques.

Déballage

Vérifiez cette unité avant de l'utiliser. Parfois, un produit peut être endommagé pendant le transport. Si la pompe ou les composants sont endommagés, appelez notre service à la clientèle au 1-800-237-0987.

Directives De Sécurité

Ce manuel contient de l'information très importante qui est fournie pour la SÉCURITÉ et pour ÉVITER LES PROBLÈMES D'ÉQUIPEMENT. Rechercher les symboles suivants pour cette information.

⚠ DANGER DANGER indique une situation hasardeuse imminente qui RÉSULTERA en perte de vie ou blessures graves.

⚠ AVERTISSEMENT AVERTISSEMENT indique une situation hasardeuse potentielle qui PEUT résulter en perte de vie ou blessures graves.

⚠ ATTENTION ATTENTION indique une situation hasardeuse potentielle qui PEUT résulter en blessures.

AVIS AVIS indique de l'information importante pour éviter le dommage de l'équipement.

Généralités Sur La Sécurité

PROPOSITION 65 CALIFORNIE

⚠ AVERTISSEMENT Ce produit ou son cordon peuvent contenir des produits chimiques qui, de l'avis de l'État de Californie, causent le cancer et des anomalies congénitales ou autres problèmes de reproduction. Lavez-vous les mains après la manipulation.

GÉNÉRALITÉS SUR LA SÉCURITÉ

⚠ DANGER NE PAS pomper les fluides explosifs tels que l'essence, l'huile à chauffage, le kérosène etc. NE PAS



utiliser dans un atmosphère inflammable et/ou explosif. La pompe devrait être utilisée pour le pompage de l'eau claire seulement, sinon, il y a risque de blessures personnelles et/ou dégâts matériels.

⚠ DANGER Toute installation des fils DOIT être effectuée par un électricien qualifié. Manque de suivre cet avertissement PEUT résulter en secousse électrique mortelle.

⚠ DANGER NE PAS marcher sur un plancher de sous-sol trempé ou humide avant de couper l'électricité. Si la boîte de branchement est dans le sous-sol, contacter un électricien. Enlever la pompe et la réparer ou remplacer. Manque de suivre cet avertissement peut résulter en secousse électrique mortelle.



⚠ AVERTISSEMENT NE PAS exposer la pile à des étincelles ou des flammes. Une explosion ou un feu PEUT y résulter.



⚠ AVERTISSEMENT L'acide de pile est corrosive. NE PAS le renverser sur la peau ni sur les vêtements. La protection oculaire doit être usure en contrôlant la batterie.



⚠ AVERTISSEMENT Un clapet DOIT être utilisé sur le décharge de la pompe de puisard principale (voir Figure 1).

⚠ AVERTISSEMENT Un interrupteur pour protéger contre un défaut de mise à la terre (DDFT) est exigé.

AVIS Cette pompe est conçue pour le pompage de l'eau claire SEULEMENT. Cette pompe N'EST PAS conçue pour les substances qui contiennent les produits chimiques caustiques et/ou les matières étrangères tels que l'eau salée, la saumure, le décharge de buanderie. L'utilisation de ces produits POURRAT endommager la pompe et NIERA la garantie.

Exigences de la Batterie de la Pompe de Secours

1. Utiliser seulement des nouvelles piles de 12 V complètement chargées à fonctions décharge profonde. Le niveau d'électrolyte

doit être vérifié et entretenu selon les directives du fabricant.

2. La boîte de batterie accomode les batteries de tailles 24C, 24VCM, 27C, 27CM et 27F.
3. Le temps pour recharger les batteries varie avec chaque installation. Dans des conditions normales, la recharge complète des batteries de décharge profonde nécessitera entre deux et quatre jours après qu'elle soit déchargée. S'il y a une panne de courant dans la maison plus d'une fois par semaine, considérez avoir une pile de rechange, bien chargée pour remplacer la pile épuisée de la pompe de décharge de secours.

Installation – ESP15

AVIS L'installation de ce modèle pourrait durer plusieurs heures. Vous devez d'avoir une méthode alternative fiable disponible pour vider le puisard après le démontage de la pompe principale.

1. Couper la puissance à la pompe principale.
2. Installer la pompe en utilisant de la tuyauterie rigide CPV 1-1/4 po ou 1-1/2 po. Un clapet (Vendu séparément) doit être installé entre le T du modèle ESP et la pompe principale (voir Figure 1).

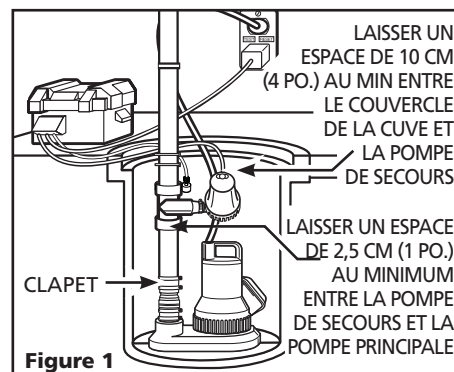


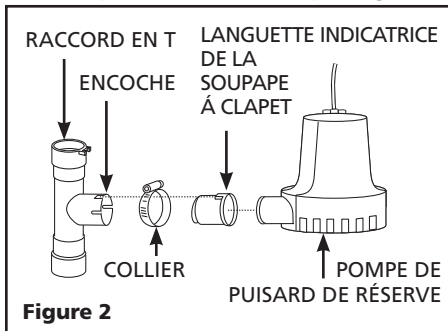
Figure 1

3. Mesurer et couper le tuyau de décharge afin que la pompe de sauvegarde soit un minimum de 1 po au dessus de la pompe principale. Ceci permettra la pompe principale de fonctionner normalement (voir Figure 1).

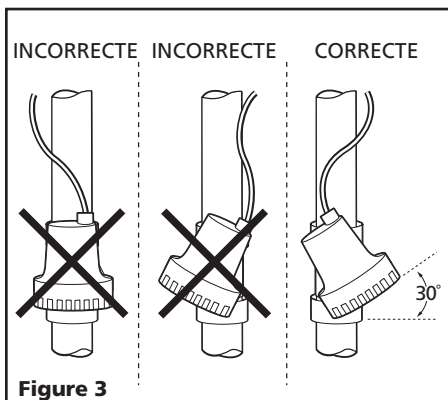
MÉMENTO: Gardez votre preuve datée d'achat à fin de la garantie! Joignez-la à ce manuel ou classez-la dans un dossier pour plus de sécurité.

Installation – ESP15 (suite)

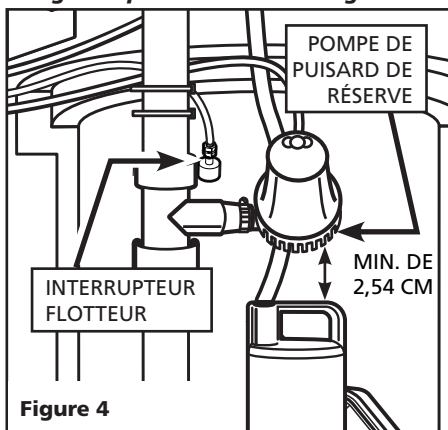
- Vérifier l'ajustage des pièces avant de les fixer en permanence. Coller le T en place avec du ciment CPV. L'encoche doit être vers le haut, sinon la soupape à clapet ne fonctionnera pas (Figure 2).



- Introduire la soupape à clapet dans le T. S'assurer que la languette indicatrice soit dans l'encoche du T (voir Figure 2).
- Glisser le collier sur le T.
- Introduire la pompe dans la soupape à clapet, incliner la pompe 30°, le cordon d'alimentation devrait être face en haut (voir Figure 3). Serrer le collier autour de la pompe et la soupape à clapet (voir Figure 2).



AVERTISSEMENT Incliner la pompe tel qu'indiqué sur la Figure 3 pour éviter le blocage.



- Pour installer l'interrupteur à flotteur d'une pompe de secours, glisser d'abord la sangle latérale dans la fente sur le dessus du T. Fixer avec la vis fournie. Retirer l'écrou hexagonal supérieur de l'interrupteur et glisser vers le haut le long du cordon et de côté. Glisse le cordon par la fente de la sangle, tirer le goujon fileté par le trou et fixer avec l'écrou. S'assurer que l'interrupteur à flotteur est au-dessus de la base de la pompe et que les fils de courant n'entrave pas le fonctionnement de l'interrupteur à flotteur ou l'entrée de la pompe.

Installation – ESP25

AVIS L'installation de ce modèle pourrait durer plusieurs heures. Vous devez d'avoir une méthode alternative fiable disponible pour vider le puisard après le démontage de la pompe principale.

- Couper la puissance à la pompe principale.
- Installer la pompe en utilisant de la tuyauterie rigide CPV 1-1/4 po ou 1-1/2 po

INSTALLATION DE LA POMPE

Le ESP25 peut être installé comme système de secours avec une conduite de décharge distincte (Méthode 1) ou relié à une conduite de pompe de vidange (Méthode 2, page 11).

⚠ DANGER Débrancher la pompe de c.a. actuelle. Ne pas suivre cet avertissement pourrait mener à un choc électrique mortel.

- Vérifier que la pompe de c.a. actuelle soit en bon état. Si la pompe de c.a. est dans un état douteux, il est recommandé normalement de la remplacer avec une pompe de 1/3 ou de 1/2 HP.
- Retirer tout débris accumulé ou vase des environs et du puisard.

MÉTHODE 1 (DE CHOIX)

- Placer la ESP25 sur une surface solide, à niveau dans le puisard. Ne pas placer la pompe sur une surface meuble ou de sable. De petites pierres ou le sable peuvent endommager la pompe menant à une défaillance de pompe possible.
- Cette pompe a une décharge de 3,8 cm (1-1/2 po NPT). Pour utiliser un tuyau de décharge de 3,2 cm (1-1/4 po NPT), il faudra installer un adaptateur (Vendu séparément). Un tuyau d'un plus petit diamètre réduira l'écoulement, le débit et la performance de la pompe.
- Couper une section de 1,2 m (4 pi) de tuyau rigide de PVC de 3,2 cm (1-1/4

po) ou 3,8 cm (1-1/2 po). Cimenter un tuyau de 3,8 cm (1-1/2 po) à un raccord fileté. Cimenter un tuyau de 3,2 cm (1-1/4 po) dans le raccord de tuyau. Fixer une section de 3,2 cm (1-1/4 po) de tuyau à l'adaptateur de décharge ESP25.

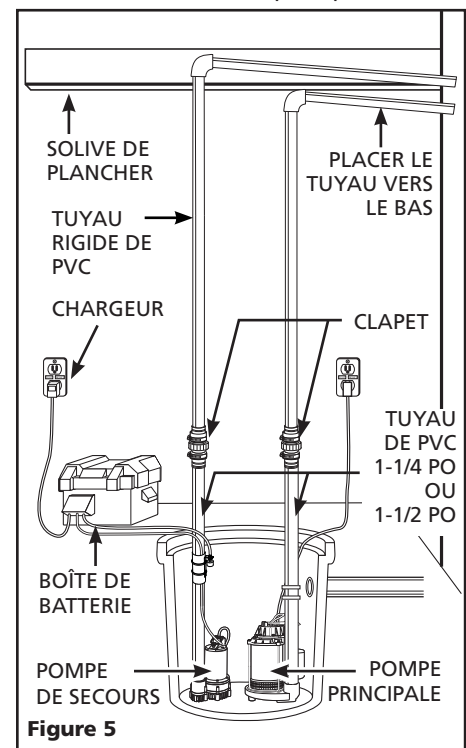
- Visser sur la décharge de PVC de la pompe.

AVIS Attention de ne pas dénuder ou fausser le filetage des raccords de plastique ou les clapets. Un boyau flexible n'est pas recommandé. Pour une installation permanente, il faut un tuyau de métal ou de PVC rigide.

- Placer la pompe avec la section de 1,2 m (4 pi) de tuyau PVC sur une surface solide et à niveau dans le puisard sur une surface élevée.
- Fixer un clapet de caoutchouc (vendu séparément) sur le dessus du tuyau de décharge. Ceci permettra de retirer facilement la pompe ou le clapet pour l'entretien ou la réparation

NOTE: Vérifier que les soupapes peuvent être placées directement dans la décharge de la pompe s'il y a lieu. Il est toutefois recommandé pour faciliter le démontage de placer les clapets au-dessus du puisard tel qu'illustré dans la Figure 1, page 13.

Le reste de l'installation de tuyau de décharge peut varier selon les circonstances individuelles. Acheminer le tuyau de décharge vers un mur extérieur en choisissant le parcours le plus court et en utilisant de solides pratiques de



Installation – ESP25 (Suite)

plomberie. Réduire les tournants au minimum car cela réduit l'écoulement de sortie de la pompe. Le tuyau qui sort de la structure de l'édifice devrait être en pente vers le bas pour que l'eau ne gèle pas dans le tuyau.

En installant le tuyau de décharge distinct, percer dans le mur extérieur avec l'équipement de perçage approprié. Sceller le trou pour éviter que l'eau n'y pénètre.

MÉTHODE 2

Si une décharge séparée et dédiée n'est pas possible comme dans la méthode 1, la pompe ESP25 peut être reliée au tuyau de décharge de la pompe principale en installant un connecteur en « Y ». Il faudra alors deux clapets.

1. Placer la ESP25 sur une surface solide et à niveau dans le puisard. Ne pas placer la pompe sur une surface meuble ou de sable. De petites pierres ou le sable peuvent endommager la pompe menant à une défaillance de pompe possible.
2. Cette pompe a une décharge de 3,8 cm (1-1/2 po NPT). Pour utiliser un tuyau de décharge de 3,2 cm (1-1/4 po NPT), il faudra installer un adaptateur (Vendu séparément). Un tuyau d'un plus petit diamètre réduira l'écoulement, le débit et la performance de la pompe.
3. Il faudra un clapet à LA FOIS dans la conduite de décharge de la pompe principale c.a. et dans la pompe ESP25 pour éviter la recirculation de l'eau dans le puisard. Le système ne fonctionnera pas dans deux clapets.
4. Couper une section de 1,2 m (4 pi) de tuyau rigide de PVC de 3,2 cm (1-1/4 po) ou 3,8 cm (1-1/2 po). Cimenter un tuyau de 3,8 cm (1-1/2 po) à un raccord fileté. Cimenter un tuyau de 3,2 cm (1-1/4 po) dans le raccord de tuyau. Fixer une section de 3,2 cm (1-1/4 po) de tuyau à l'adaptateur de décharge ESP25.
5. Visser sur la décharge de la pompe.

AVIS

Attention de ne pas dénuder ou fausser le filetage des raccords de plastique ou les clapets. Un boyau flexible n'est pas recommandé. Pour une installation permanente, il faut un tuyau de métal ou de PVC rigide.

6. Placer la pompe avec la section de 1,2 m (4 pi) de tuyau PVC sur le sol du puisard ou sur une surface élevée, au besoin.
7. Fixer un clapet de caoutchouc (vendu séparément) sur le dessus

du tuyau de décharge. Ceci permettra de retirer facilement la pompe ou le clapet pour l'entretien ou la réparation.

8. Reproduire la configuration de la tuyauterie de décharge pour la pompe principale c.a. si la conduite actuelle doit être ajustée pour accommoder une seconde pompe.
9. Coller un coude de 45° au tuyau court de la pompe ESP25. Coller un raccord en 'Y' au tuyau court sur la pompe actuelle, tel qu'indiqué dans l'illustration pour la méthode 2.
10. Coller une petite pièce de tuyau de PVC entre le coude de 45° et le raccord en 'Y'.

NOTE: Vérifier que les soupapes peuvent être placées directement dans la décharge de la pompe s'il y a lieu. Il est toutefois recommandé pour faciliter le démontage de placer les clapets au-dessus du puisard tel qu'illustré dans la Figure 5, page 10.

Le reste de l'installation de tuyau de décharge peut varier selon les circonstances individuelles. Acheminer le tuyau de décharge vers un mur extérieur en choisissant le parcours le plus court et en utilisant de solides pratiques de plomberie.

MÉTHODES 1 ET 2

Installer l'interrupteur à flotteur à au moins 10 po à 12 po (25 à 31 cm) au-dessus du bas du puisard pour que l'unité de secours se mette en marche seulement lorsque le niveau d'eau est plus élevé

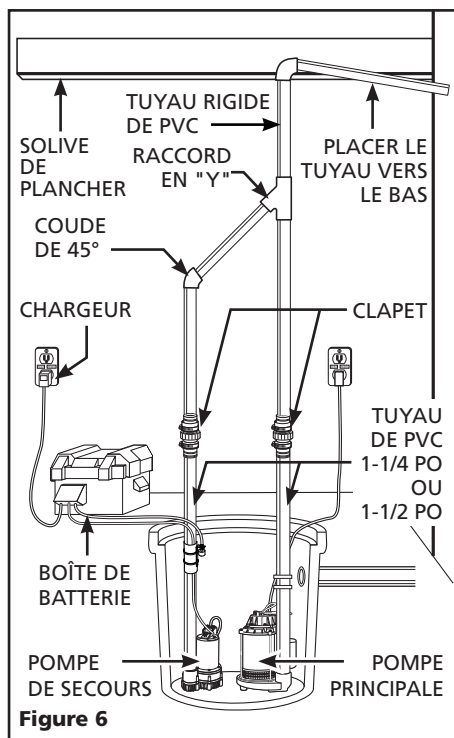


Figure 6

que le niveau normal "on" (MARCHE) pour la pompe principale. Utiliser les attaches métalliques fournies pour fixer l'interrupteur au tuyau de décharge. S'assurer que les fils d'alimentation n'entravent pas le fonctionnement de l'interrupteur à flotteur, l'entrée de la pompe ou la pompe principale. La pompe de secours ne doit pas fonctionner à sec.

Installation de la boîte de contrôle – ESP15 & ESP25

1. Fixer la boîte de contrôle au côté de la boîte de batterie tel qu'indiqué dans la Figure 7. Placer la batterie dans la boîte, brancher le câble rouge à la borne positive de la pile et le câble noir à la borne négative. Mettre le couvercle sur la boîte.

⚠ ATTENTION Si les câbles sont renversés, le

dommage à la boîte de contrôle ou à la pile peut résulter et niera la garantie.

2. Placer la boîte de pile à moins de 1,83 m du puisard et d'une prise de courant de 115 Vc.a. (fusible séparé). La prise de courant doit être protégée d'un interrupteur qui protège contre un dérangement dû à une mise accidentelle à la terre (DDFT). L'endroit doit être propre, sec et bien aéré.
3. Brancher l'interrupteur flotteur, la pompe, et le chargeur dans la boîte de contrôle. (Connexions indiquées sur la boîte).
4. Faire l'essai de la pompe en remplissant le puisard d'eau pendant que la pompe principale est débranchée. Si la pompe fonctionne correctement, brancher le chargeur dans la prise de courant DDFT pour charger la batterie.
5. Protéger le cordon d'alimentation contre les objets pointus, les surfaces chaudes, l'huile, et les produits chimiques. Éviter de tortiller le cordon et remplacer toutes les pièces endommagées immédiatement.

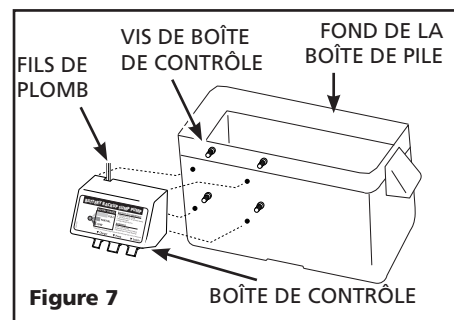


Figure 7

Fonctionnement

⚠ DANGER **TOUJOURS**

débrancher la source de puissance avant d'essayer d'installer, de réparer, de déplacer ou de procéder à l'entretien de la pompe. **NE JAMAIS** toucher le pompe de puisard, le moteur de la pompe, l'eau ni le tuyauterie de décharge lorsque la pompe est branchée à une source d'alimentation. **NE JAMAIS** manipuler une pompe ni un moteur de pompe avec les mains trempées, ni lorsque vous êtes debout sur une surface humide ou trempé ni dans l'eau, sinon, vous risquez une secousse électrique mortelle.



⚠ AVERTISSEMENT **Risque de choc électrique!**

Cette pompe est fournie avec un conducteur de terre et une fiche de masse. Utiliser une prise à la terre pour réduire le risque de choc électrique mortel. **NE JAMAIS** couper la broche de terre ronde. Couper le cordon ou la fiche annulera la garantie et rendra la pompe inutilisable.



1. Avec une batterie complètement chargée, tester le fonctionnement de la pompe de secours en remplissant le puisard avec de l'eau pendant que la pompe primaire est débranchée. Si la pompe de secours fonctionne correctement, brancher le chargeur dans la prise protégée GFCI et la pompe principale dans une prise GFCI séparée.
2. Suite à l'installation, la pompe de réserve se démarrera lorsque le niveau d'eau dépasse la profondeur de

démarrage de la pompe principale.

3. La boîte de contrôle a un chargeur à impulsions conçu pour raccourcir le temps nécessaire pour charger la batterie, et pour éviter de la surcharger. Aussi, la boîte de contrôle a un retardateur qui empêche les cycles courts répétés lorsqu'il s'arrête. Cette fonction de surcharge permet à la pompe de fonctionner 20 à 25 secondes après que l'interrupteur atteint la position d'arrêt.
4. La boîte de contrôle a une lampe indicatrice multicolore. Quand le courant c.a. est présent, la lampe indique l'état de charge, mais pas la tension de batterie actuelle, particulièrement avec une batterie défectueuse. Suivre les étapes "a" à "d" pour une indication précise
 - a. Débrancher la pompe principale c.a. et le chargeur - une tonalité d'avertissement sonnera pendant 30 secondes.
 - b. Soulever et lâcher l'interrupteur flotteur pour actionner la pompe de secours de réserve.
 - c. Quand la pompe s'arrête de réserve, vérifier la lampe d'essai:
 - Vert:** Batterie chargée.
 - Jaune:** Tension est basse, batterie partiellement chargée.
 - Rouge:** Batterie complètement déchargée ou défectueuse.
 - d. Brancher le chargeur et la pompe principale c.a.

Si l'alimentation c.a. est coupée et la pompe fonctionne, la lampe indicatrice indiquera l'état de la batterie.

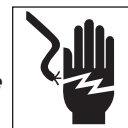
5. Un son de pépiement de la boîte de contrôle accompagnera la lampe rouge ce qui indique une batterie qui requiert l'attention ou le remplacement. La tension est le seul indicateur de la condition de la batterie pourrait indiquer une condition fautive. Se référer à la section Entretien pour les instructions pour évaluer la condition de la batterie.
6. Une tonalité de 30 secondes sonnera lorsque l'alimentation au système soit interrompu. Le modèle se rajustera automatiquement quand l'alimentation soit rétabli. Une tonalité de 3 secondes sonnera chaque fois que la pompe se démarre.

BATTERIES

⚠ DANGER **Du gaz d'hydrogène peut être dégagé des batteries en chargeant. Des étincelles peuvent enflammer le gaz dans un espace restreint. Porter des lunettes de sécurité en connectant les batteries. Les connexions de batteries doivent se faire dans un endroit bien ventilé..**

Entretien

⚠ DANGER **TOUJOURS débrancher la source d'électricité avant d'essayer d'installer, de déplacer ou de**



Guide De Dépannage - Pompe de Secours

Symptôme(s)	Cause(s) possible	Action(s) corrective
Pompe ne fonctionne pas	<ol style="list-style-type: none"> 1. Raccords ne sont pas sûrs 2. Batterie faible 3. Obstruction de l'interrupteur à flotteur 4. Fusible défectueux ou sauté 	<ol style="list-style-type: none"> 1. Vérifier tous les raccords 2. Vérifier la batterie et la remplacer si faible 3. S'assurer que rien n'entrave le fonctionnement de l'interrupteur 4. Vérifier le fusible interne dans la boîte de contrôle. Débrancher le chargeur de la prise du mur et l'enlever. Si le fusible est sauté, le remplacer avec un fusible d'automobile de 15 A
Moteur ronron mais la pompe ne fonctionne pas	<ol style="list-style-type: none"> 1. Batterie défectueuse 2. Impulseur obstrué 	<ol style="list-style-type: none"> 1. Vérifier la batterie et la remplacer si faible ou défectueuse 2. Débrancher la pompe et vérifier si la turbine tourne librement. Si la turbine est bloquée, enlever les 4 vis sur le fond de la pompe pour lâcher le carter autour de la turbine. Enlever l'obstruction. Remonter la pompe et brancher à nouveau
La pompe fonctionne mais refoule peu ou pas d'eau	<ol style="list-style-type: none"> 1. Clapet manquant ou mal-installé 2. Engorgement dans le tuyau de décharge 3. Pompe pas tournée à 30° 4. Pompe bloquée à l'air 5. Longueur et/ou hauteur du tuyau de décharge dépasse la capacité de la pompe 6. Batterie faible ou défectueuse 	<ol style="list-style-type: none"> 1. S'assurer que le clapet soit installé et fonctionne entre le décharge de la pompe principale et le raccord en T de la pompe de puisard de réserve. 2. Vérifier pour un engorgement et l'enlever si nécessaire 3. Vérifier que la pompe est tournée à 30° en montage T dans ESP15 Section Installation, Figure 3, à la page 10 4. Le carter de turbine a un petit trou sur le côté. Le trou doit être ouvert pour amorcer la pompe. Avec la pompe débranchée, enlever les 4 vis sur le fond de la pompe afin de lâcher le carter autour de la turbine. Nettoyer le trou et remplacer le couvercle 5. Si le décharge est trop haut, une ligne séparée avec une hauteur de décharge plus basse peut être nécessaire 6. Vérifier la batterie et la remplacer si faible ou défectueuse
Pompe cycle à maintes reprises	<ol style="list-style-type: none"> 1. Clapet principal entre le décharge de la pompe principale et le raccord en T de la pompe de puisard de réserve ou la soupape à clapet de la pompe de puisard de réserve mal-installé ou en panne 	<ol style="list-style-type: none"> 1. Installer un clapet ou réparer au besoin

Entretien (suite)

procéder à l'entretien. Si la source de puissance est hors vue, verrouiller et étiqueter dans la position ouverte (off) pour éviter l'alimentation inattendu. Manque de suivre ces directives PEUT résulter en secousse électrique mortelle. Seul un électricien qualifié DEVRAIT réparer ce modèle. La réparation incorrecte PEUT résulter en secousse électrique mortelle.

1. Vérifier la condition de la batterie chaque mois.
2. Débrancher le chargeur du mur.
3. Vérifier le niveau d'électrolyte et

remplir d'après les recommandations du fabricant des batteries dont le bouchon supérieur s'enlève. Vérifier la charge de chaque cellule avec un hydromètre. Une densité spécifique de 1.265 indiquerait que la batterie est complètement chargée. Si la densité spécifique de n'importe quelle cellule varie de plus de .050, remplacer la batterie.

REMARQUE: Un hydromètre peu coûteux est disponible chez votre marchand de pièces d'automobile.

4. Inspecter les bornes et les colliers pour la corrosion et le serrage.

Nettoyer et serrer au besoin.

5. Débrancher la pompe principale et remplir le puisard d'eau jusqu'à ce que la pompe de sauvegarde se met en marche. Répéter le procédé deux fois pour s'assurer que la pompe fonctionne normalement.
6. Si la pompe fonctionne normalement, brancher le chargeur dans la prise du mur, mettre la pompe principale en marche. Si la pompe ne fonctionne pas normalement, voir le guide de dépannage et corriger le problème. Répéter l'étape 5.

Pour des pièces de rechange, composer 1-800-237-0987

S'il vous plait fournir l'information suivante:

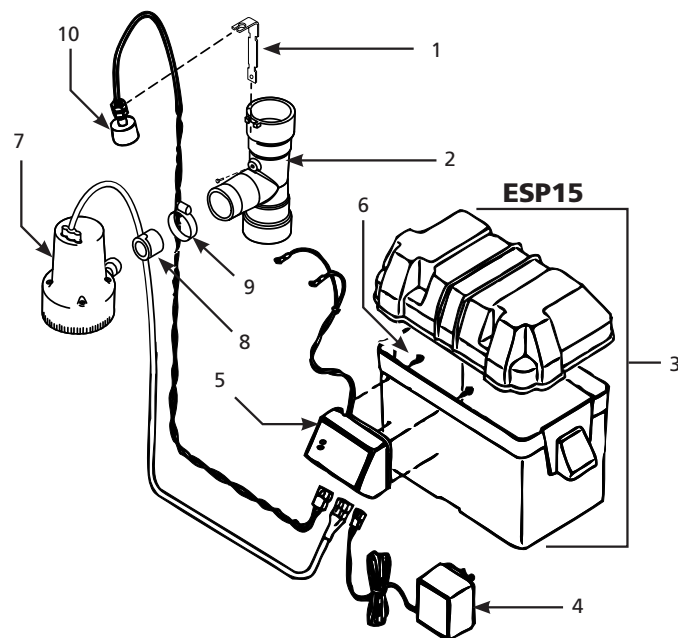
- Numéro de modèle
- Numéro de série (si applicable)
- Description et numéro de pièce d'après la liste de pièces

Correspondance:

WAYNE Water Systems
101 Production Drive
Harrison, OH 45030 U.S.A.

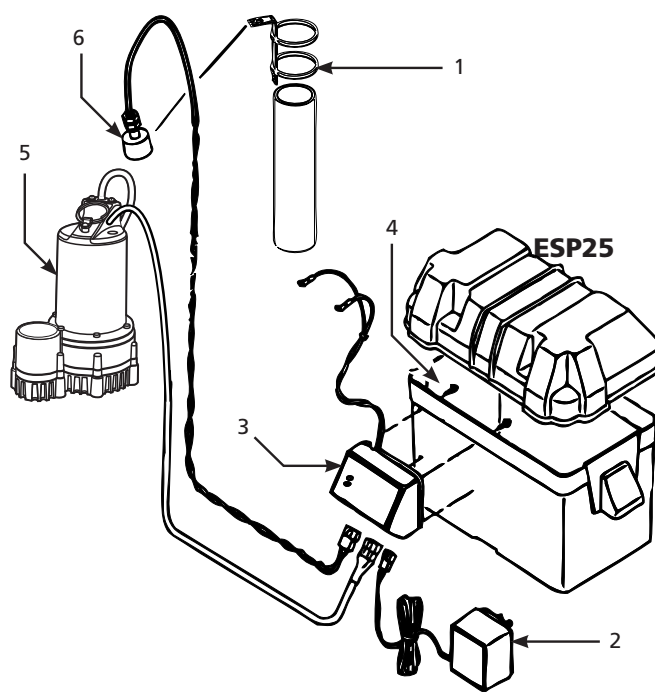
Liste de Pièces Détachées – ESP15

No. de Réf.	Description	Numéro de pièce	Qté
1	Sangle	46049-001	1
2	Raccord en T	17233-002	1
3	Sangle pour batterie	23217-001	1
4	Chargeur	17220-004	1
5	Boîte de contrôle	30209-003	1
6	Vis - boîte de contrôle	16119-002	4
7	Pompe	17218-003	1
8	Soupape à clapet	17216-001	1
9	Collier - tuyau	16044-001	1
10	Interrupteur flotteur	30033-001	1



Liste de Pièces Détachées – ESP25

No. de Réf.	Description	Numéro de pièce	Qté
1	Sangle	46049-001	1
2	Chargeur	30221-001	1
3	Boîte de contrôle	30222-004	1
4	Vis - boîte de contrôle	16119-002	4
5	Pompe	58324-001	1
6	Interrupteur flotteur	30033-001	1



GARANTIE LIMITÉE

Système ESP15: Pendant un (1) an à compter de la date d'achat, WAYNE Water Systems (WAYNE) va réparer ou remplacer, à sa discrétion, pour l'acheteur original n'importe quelle pièce ou pièces de ces Pompes de Puisard ou Pompes à eau (« Produit ») déterminées défectueuses, par WAYNE Water Systems, en termes de matériaux ou de fabrication.

Système ESP25: Pendant deux (2) ans à compter de la date d'achat, WAYNE Water Systems (WAYNE) va réparer ou remplacer, à sa discrétion, pour l'acheteur original n'importe quelle pièce ou pièces de ces Pompes de Puisard ou Pompes à eau (« Produit ») déterminées défectueuses, par WAYNE Water Systems, en termes de matériaux ou de fabrication.

S'il vous plaît appeler WAYNE Water Systems (1-800-237-0987) pour des instructions ou contacter votre marchand. S'assurer d'avoir, à votre disposition, le numéro du modèle afin d'effectuer cette garantie. Les frais de transportation des Produits ou pièces soumis pour la réparation ou le remplacement sont la responsabilité de l'acheteur.

Cette Garantie Limitée ne couvre pas les Produits qui se sont fait endommagés en résultat d'un accident, utilisation abusive, mauvais usage, négligence, l'installation incorrecte, entretien incorrect, ou manque d'utilisation conformément aux instructions écrit de WAYNE Water Systems.

IL N'Y A AUCUNE AUTRE GARANTIE EXPRESSE. LES GARANTIES IMPLICITES, Y COMPRIS CELLES DE COMMERCIALISATION OU CONVENABLE À UN USAGE PARTICULIER, SONT LIMITÉES À UN (1) AN DE LA DATE D'ACHAT POUR LE SYSTÈME ESP15 ET DEUX (2) ANS DE LA DATE D'ACHAT POUR LE SYSTÈME ESP25. CECI EST LA REMÈDE EXCLUSIVE ET N'IMPORTE QUELLE RESPONSABILITÉ POUR N'IMPORTE QUEL ET TOUT DOMMAGES INDIRECTS OU DÉPENSES QUOI QUE SE SOIT EST EXCLUS.

Certaines Provinces n'autorisent pas de limitations de durée pour les garanties implicites, ni l'exclusion ni la limitation des dommages fortuits ou indirects. Les limitations précédentes peuvent donc ne pas s'appliquer. Cette garantie limitée donne, à l'acheteur, des droits légaux précis, et vous pouvez avoir autres droits légaux qui sont variable d'une Province ou d'un État à l'autre.

En aucun cas, soit par suite d'un rupture de contrat de garantie, acte dommageable (y compris la négligence) ou autrement, ni WAYNE Water Systems ou ses fournisseurs seront responsables pour aucune dommage spéciale, incidentel ou pénal, y compris, mais pas limité à la perte de profits ou recettes, la perte d'usage des produits ou n'importe quel équipement associé, dommage à l'équipement associé, coût de capital, coût de produits remplaçants, aménagements, services ou abilité de remplacement, coût de temps que le produit n'est pas en service, ou la réclamation des clients de l'acheteur pour ces dommages.

Vous **DEVEZ** garder votre recette d'achat avec ce bulletin. Il est **NÉCESSAIRE** d'envoyer une **COPIE** de la recette d'achat avec le matériel ou correspondance afin d'effectuer une réclamation de la garantie. S'il vous plaît appeler WAYNE Water Systems (1-800-237-0987) pour l'autorisation et instructions concernant le renvoi.

NE PAS ENVOYER, PAR LA POSTE, CE BULLETIN À WAYNE. Utiliser ce bulletin seulement pour vos archives.

N° DU MODÈLE (POMPE PRINCIPALE) _____

N° DU MODÈLE (POMPE DE SECOURS) _____

N° DE SÉRIE (POMPE PRINCIPALE) _____

N° DE SÉRIE (POMPE DE SECOURS) _____

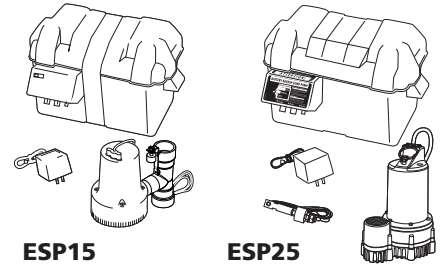
DATE D'INSTALLATION _____

FIXER VOTRE FACTURE ICI

WAYNE®

Sistemas de respaldo de batería de 12V

Por favor lea y guarde estas instrucciones. Léelas cuidadosamente antes de tratar de montar, instalar, operar o dar mantenimiento al producto aquí descrito. Protéjase usted mismo y a los demás observando toda la información de seguridad. ¡El no cumplir con las instrucciones puede ocasionar daños, tanto personales como a la propiedad! Guarde estas instrucciones para referencia en el futuro.



ESP15

ESP25

Manual de Instrucciones de Operación y Piezas

ESP15, ESP25

Descripción

Los sistemas ESP15 y ESP25 son sistemas de bombas de respaldo para sumideros operados con batería. No sustituye una bomba principal normal. Está diseñada para proporcionar protección en el caso de falla de energía eléctrica doméstica.

Desempacar

Revise esta unidad antes de usarla. A veces, el producto puede sufrir daños durante el transporte. Si la bomba o sus componentes están dañados, comuníquese con el departamento de servicio al cliente: 1-800-237-0987.

Medidas de Seguridad

Este manual contiene información que es muy importante que sepa y comprenda. Esta información se la suministramos como medida de SEGURIDAD y para EVITAR PROBLEMAS CON EL EQUIPO. Debe reconocer los siguientes símbolos.

▲ PELIGRO Esto le indica que hay una situación inmediata que LE OCASIONARIA la muerte o heridas de gravedad.

▲ ADVERTENCIA Esto le indica que hay una situación que PODRIA ocasionarle la muerte o heridas de gravedad.

▲ PRECAUCION Esto le indica que hay una situación que PODRIA ocasionarle heridas no muy graves.

AVISO Esto le indica una información importante, que de NO seguirla, le PODRIA ocasionar daños al equipo.

Informaciones Generales de Seguridad

PROPOSICIÓN DE CALIFORNIA 65

▲ ADVERTENCIA Este producto, o su cordón eléctrico, PUEDE contener productos químicos conocidos por el estado de California como causantes de cáncer y defectos de nacimiento u otros daños reproductivos. Lave sus manos después de usar.

GENERALES DE SEGURIDAD

▲ PELIGRO **NUNCA** use esta bomba para bombear líquidos inflamables o explosivos tales como gasolina, combustibles, kerosene, etc. NO la use donde haya peligro de explosión. Úsela sólo para drenar agua. Si NO sigue estas recomendaciones PODRÍA ocasionarle heridas o daños a su propiedad.



▲ PELIGRO Todos los trabajos de electricidad los debe hacer un electricista calificado. Si NO sigue estas advertencias PODRÍA electrocutarse.

▲ PELIGRO Si el piso del sótano - NO está húmedo o inundado, NO entre hasta que haya desconectado la electricidad. Si la caja de fusibles está en el sótano, llame a un electricista. Desconecte la bomba y repárela o reemplácela. Si NO sigue estas advertencias PODRÍA electrocutarse.



▲ ADVERTENCIA NO exponga la batería al contacto de chispas o llamas ya que PODRIA provocar una explosión o un incendio.



▲ ADVERTENCIA El ácido de la batería es corrosivo. Evite derramarlo sobre la piel o ropa. Al manipular la batería, DEBE protegerse los ojos.



▲ ADVERTENCIA DEBE utilizar una válvula de chequeo en el orificio de descarga de la bomba principal para sumideros (vea la Figura 1).

▲ ADVERTENCIA Se requiere un interruptor con dispositivo para desconexión automática en caso de fallas.

AVISO Esta bomba sólo DEBE usarse para bombear aguas limpias. Esta bomba NO está diseñada para bombear efluentes, agua salada, salmuera, agua con detergentes o en ningún otro líquido que contenga químicos causticos y/o residuos y partículas. Esto le ocasionaría DAÑOS a la bomba y CANCELARÍA la garantía.

Requisitos de la batería para la bomba de respaldo

1. Use sólo baterías nuevas totalmente cargadas de 12 V y ciclo intenso. Se debe comprobar el nivel electrolítico y mantenerlo de conformidad con las estipulaciones impartidas por el fabricante.
2. Las baterías que caben en el compartimiento de batería son las siguientes: 24C, 24VCM, 27C, 27CM y 27F.
3. El tiempo de recarga de la batería será diferente en cada instalación. Bajo condiciones normales, demorará de dos a cuatro días recargar totalmente una batería de ciclo intenso después de haber sido descargada. Si la energía eléctrica de la casa se pierde más de una vez a la semana, considere tener una batería de repuesto totalmente cargada para cambiar la batería agotada de la bomba de sumidero de respaldo.

Instalación - ESP15

AVISO La instalación de esta bomba PODRIA tomarle varias horas. Antes de desconectar temporalmente la bomba principal, cerciórese de tener un plan para drenar el sumidero en caso de emergencia.

1. Desconecte la corriente que va a la bomba principal.
2. La bomba debe instalarse utilizando una tubería rígida de PVC de 3,2 cm (1-1/4") ó 3,8 cm (1-1/2"). Entre la conexión en T de la ESP y la bomba principal, se debe instalar una válvula de chequeo (Se vende por separado) (véase la Figura 1).

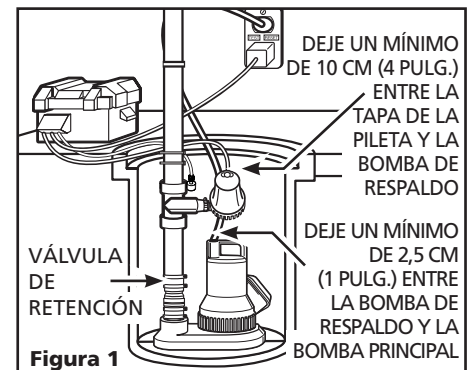
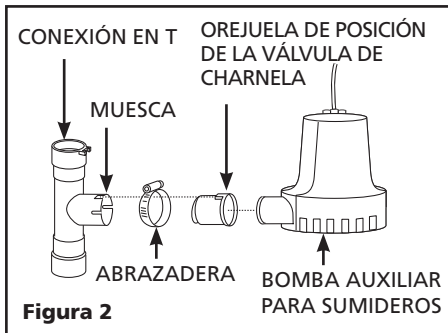


Figura 1

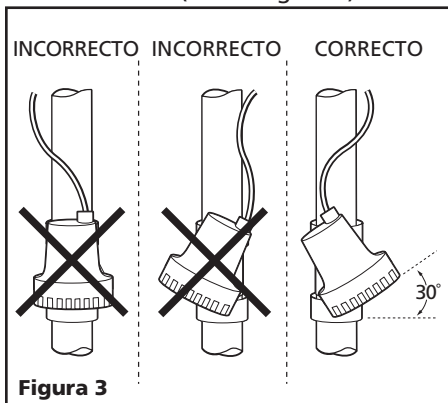
RECORDATORIO: ¡Guarde su comprobante de compra con fecha para fines de la garantía! Adjúntela a este manual o archívela en lugar seguro.

Instalación – ESP15 (Continuación)

3. Mida y corte el tubo de descarga de modo que la bomba auxiliar esté como mínimo a 2,54cm más arriba que la bomba principal. Esto permitirá que la bomba principal opere normalmente (vea la Figura 1).
4. Usando pegamento para PVC, pegue la conexión en T en su lugar. La muesca debe estar hacia arriba, de lo contrario, la válvula de charnela no funcionará (Figura 2).

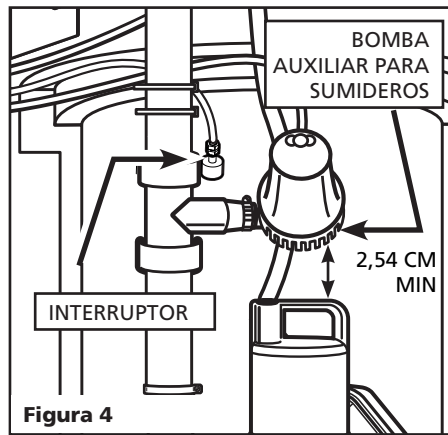


5. Inserte la válvula de charnela en la conexión en T. Asegúrese de que la orejuela esté en la muesca en la conexión en T (véase la Figura 2).
6. Deslice la abrazadera sobre la conexión en T.
7. Inserte la bomba en la válvula de charnela, viere la bomba 30°. Una vez que la haya virado, el cordón eléctrico debe estar hacia arriba (vea la Figura 3). Apriete la abrazadera para asegurar la bomba y la válvula de charnela (vea la Figura 2).



ADVERTENCIA La bomba debe colocarse tal como se muestra en la Figura 3 para evitar que el aire permanezca.

8. Para instalar el interruptor de flotador para la bomba de reserva, primero deslice la ménsula por la ranura en la parte superior de la T. Asegure la ménsula con el tornillo que se proporciona. Retire la tuerca hexagonal superior del interruptor y



deslice el cable fuera. Deslice el cable a través de la ranura en la ménsula, introduzca el pasador roscado en el orificio y asegúrelo con la tuerca. Asegúrese de que el interruptor de flotador se encuentre por encima de la base de la bomba y de que los cables de corriente no interfieran con el interruptor de flotador ni la entrada de la bomba.

Instalación – ESP25

AVISO La instalación de esta bomba PODRÍA tomarle varias horas. Antes de desconectar temporalmente la bomba principal, cerciórese de tener un plan para drenar el sumidero en caso de emergencia.

1. Desconecte la corriente que va a la bomba principal.
2. La bomba debe instalarse utilizando una tubería rígida de PVC de 3,2 cm (1-1/4 pulg.) ó 3,8 cm (1-1/2 pulg.).

INSTALACIÓN DE LA BOMBA

La ESP25 puede instalarse como un sistema de respaldo con una línea de descarga dedicada separada (Método 1), o conjuntamente con una línea de bombeo de sumidero ya existente (Método 2, página 19).

PELIGRO Desconecte la bomba de CA existente. Si no respeta esta advertencia puede provocar un choque eléctrico mortal.

1. Verifique que la bomba de CA existente esté funcionando bien. Si el estado de la bomba de CA es cuestionable, generalmente se recomienda reemplazar la unidad con una bomba de 1/3 ó 1/2 HP.
2. Retire todo sedimento o residuo acumulado del pozo del sumidero y los alrededores.

MÉTODO 1 (SE PREFERE)

1. Coloque la ESP25 sobre una superficie sólida y nivelada en el

pozo del sumidero. No coloque la bomba sobre una superficie blanda o arenosa. Las piedritas o la arena pueden dañar la bomba, causando fallas potenciales de la bomba.

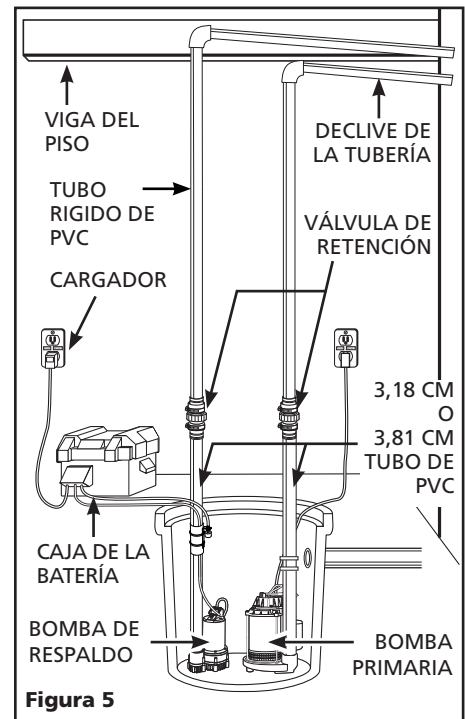
2. Esta bomba tiene una descarga de 1-1/2 pulg. NPT (3,8 cm). Si se desea utilizar tubería de descarga de 1-1/4 pulg. NPT (3,2 cm), será necesario instalar un adaptador (Se vende por separado). Las tuberías de diámetro más pequeño reducirán el flujo, la velocidad y el rendimiento de la bomba.
3. Corte una sección de 4 pi. de 3,18 cm (1-1/4 pulg.) o de 3,81 cm (1-1/2 pulg.) de diámetro de un tubo de PVC rígido. Pegue el tubo de 3,18 cm (1-1/4 pulg.) con cemento a un accesorio de conexión roscada. Pegue el tubo de 3,18 cm (1-1/4 pulg.) con cemento al acoplador de tuberías. Adjunte la sección de 3,81 cm (1-1/4 pulg.) de la tubería al adaptador de descarga del ESP25.
4. Atornille a la descarga de PVC de la bomba.

AVISO

Tenga cuidado de no pelar ni cruzar

las conexiones plásticas roscadas ni las válvulas de retención. No se recomienda usar mangueras flexibles. Para una instalación permanente, se requieren tuberías de PVC rígido o de metal.

5. Coloque la bomba con la sección de tubo de PVC de 4' sobre una superficie sólida y nivelada en el pozo del sumidero, en una superficie elevada.



Instalación – ESP25 (Continuación)

- Adjunte una válvula de retención de goma (que se vende por separado) al extremo superior de la tubería de descarga. Esto permitirá que la bomba o la válvula de retención se retiren con facilidad para repararlas.

NOTA: Las válvulas de retención pueden colocarse directamente en la descarga de la bomba si lo desea. Sin embargo, para desarmar más fácilmente, se recomienda que las válvulas de retención se coloquen por encima del sumidero, como se muestra en la Figura 1, página 17.

El resto de la instalación de la tubería de descarga variará dependiendo de las circunstancias individuales. Dirija la tubería de descarga hacia una pared exterior, por el camino más corto, siguiendo las técnicas de instalación sanitaria más adecuadas. Mantenga al mínimo los acodamientos porque reducen la salida de flujo de la bomba. La tubería que sale de la estructura de la construcción debe estar en declive, para que el agua no se congele en la tubería. Cuando instale la tubería de descarga separada, perforo a través de la pared exterior con el equipo de perforación adecuado. Selle el agujero para evitar que entre el agua.

MÉTODO 2

Si no es posible lograr una descarga separada y dedicada como en el Método 1, la bomba ESP25 puede conectarse a la tubería de descarga de la bomba que funciona con primaria, instalando un conector "Y". Se requerirán dos válvulas de retención.

- Coloque la ESP25 sobre una superficie sólida y nivelada en el pozo del sumidero. No coloque la bomba sobre una superficie blanda o arenosa. Las piedritas o la arena pueden dañar la bomba, causando fallas potenciales de la bomba.
- Esta bomba tiene una descarga de 1-1/2 pulg. NPT (3,8 cm). Si se desea utilizar tubería de descarga de 1-1/4 pulg. NPT (3,2 cm), será necesario instalar un adaptador (Se vende por separado). Las tuberías de diámetro más pequeño reducirán el flujo, la velocidad, y el rendimiento de la bomba.
- Es necesario colocar una válvula de retención tanto en la línea de descarga de la bomba de CA principal como en la de la bomba ESP25, para evitar la recirculación de agua hacia adentro del pozo del sumidero. El sistema no funcionará sin dos válvulas de retención.
- Corte una sección de 4 pi. de 3,2 cm (1-1/4 pulg.) o de 3,81 cm (1-1/2 pulg.) de diámetro de un tubo de PVC rígido. Pegue el tubo de 3,8

cm (1-1/2 pulg.) con cemento a un accesorio de conexión roscada. Pegue el tubo de 3,2 cm (1-1/4 pulg.) con cemento al acoplador de tuberías. Adjunte la sección de 3,2 cm (1-1/4 pulg.) de la tubería al adaptador de descarga del ESP25.

- Atornille a la descarga de la bomba.

AVISO *Tenga cuidado de no pelar ni cruzar las conexiones plásticas roscadas ni las válvulas de retención. No se recomienda usar mangueras flexibles. Para una instalación permanente, se requieren tuberías de PVC rígido o de metal.*

- Coloque la bomba con la sección de tubo de PVC de 4 pi sobre el piso del sumidero o sobre una superficie elevada, si fuera necesario.
- Adjunte una válvula de retención de goma (que se vende por separado) al extremo superior de la tubería de descarga. Esto permitirá que la bomba o la válvula de retención se retiren con facilidad para repararlas.
- Duplique la disposición de la tubería de descarga para la bomba de CA primaria si la línea de descarga existente tiene que ajustarse para contener una segunda bomba.
- Pegue un codo de 45° al tubo corto en la bomba ESP25. Pegue un adaptador en "Y" al tubo corto en la bomba existente, como se muestra en la ilustración del Método 2.
- Pegue un tramo corto de tubo de PVC entre el codo de 45° y la "Y".

NOTA: Las válvulas de retención pueden

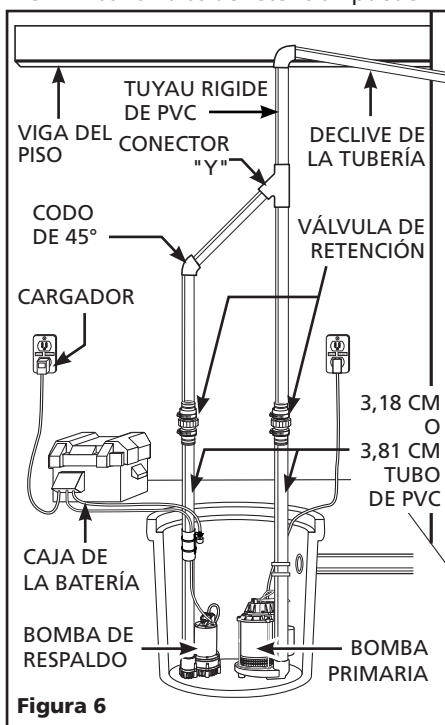


Figura 6

colocarse directamente en la descarga de la bomba si lo desea. Sin embargo, para desarmar más fácilmente, se recomienda que las válvulas de retención se coloquen por encima del sumidero, como se muestra en la Figura 5, página 18.

El resto de la instalación de la tubería de descarga variará dependiendo de las circunstancias individuales. Dirija la tubería de descarga hacia una pared exterior, por la distancia más corta, siguiendo las técnicas de instalación sanitaria más adecuadas.

MÉTODOS 1 Y 2

Instale el interruptor de flotador al menos 25,4 cm - 30,5 cm por encima del pozo del sumidero de modo que la unidad de respaldo se encienda sólo cuando el nivel del agua sea mayor que el nivel de "encendido" normal de la bomba principal. Use los amarres de alambre para asegurar el interruptor a la tubería de descarga. Asegúrese de que los cables de energía no interfieran con el interruptor de flotador, la entrada de la bomba ni con el funcionamiento de la bomba principal. No se debe dejar que la bomba de respaldo funcione en seco.

INSTALACIÓN DE LA CAJA DE CONTROL – ESP15 Y ESP25

- Conecte la caja de control a uno de los lados del compartimiento de la batería tal como se muestra en la Figura 7. Coloque la batería en el compartimiento, conecte el cable rojo al borne positivo de la batería, y el cable negro al borne negativo. Ponga la tapa a la caja.

PRECAUCION *Si los cables se conectan al revés, puede dañarse la caja de control o la batería, y la garantía será invalidada.*

- Coloque la caja de la batería a unos 1,83 m del sumidero y de un tomacorrientes de 115 VCA. El tomacorrientes debe tener un dispositivo automático contra cortocircuitos. El área debe estar limpia, seca, y bien ventilada.
- Conecte el interruptor/ flotante, la bomba y el cargador a la caja de controles (Las conexiones están indicadas en la caja de controles).

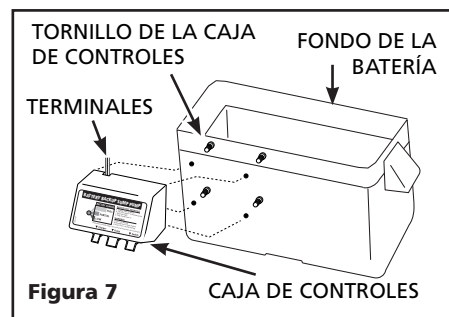


Figura 7

Installation (Continuación)

4. Cerciórese de que la bomba funcione adecuadamente. Para hacerlo, desconecte la bomba principal y llene el sumidero de agua. Si la bomba funciona adecuadamente, conecte el cargador al tomacorrientes con el dispositivo contra cortocircuitos, para comenzar a cargar la batería.
5. Proteja el cordón eléctrico contra objetos afilados, superficies calientes, aceite y químicos. Evite que el cordón se enrolle y reemplace las piezas dañadas inmediatamente.

Funcionamiento

⚠ PELIGRO *SIEMPRE* desconecte la unidad de la fuente de energía antes de intentar instalar, dar servicio, reubicar o darle mantenimiento a la bomba. **NUNCA** toque la bomba para sumideros, el motor de la bomba, el agua o la tubería de descarga cuando la bomba esté conectada al tomacorrientes. **NUNCA** manipule una bomba o motor de bomba con las manos mojadas, o estando parado sobre una superficie mojada o húmeda o sobre el agua. **PUEDA** ocurrir un choque eléctrico de consecuencias fatales.



⚠ ADVERTENCIA Hay riesgo de descarga eléctrica! Use un tomacorriente con interruptor de circuito de pérdida a tierra para reducir el riesgo de un choque eléctrico de consecuencias fatales. El



cortar el cordón o el enchufe invalidará la garantía y no permitirá que la bomba funcione.

1. Con una batería totalmente cargada, verifique el funcionamiento de la bomba de respaldo llenando el sumidero con agua y manteniendo desconectada la bomba principal. Si la bomba de respaldo funciona correctamente, conecte el cargador en el tomacorriente protegido GFCI y la bomba principal en otro tomacorriente GFCI.
2. Después de instalada, la bomba auxiliar comenzará a funcionar cuando el nivel de agua suba sobre el nivel en el que la bomba principal debe comenzar a funcionar.
3. La caja de control tiene un cargador de pulsos diseñado para acortar el tiempo de recarga de su batería y para impedir la sobrecarga. Además, la caja de control tiene un retardo de tiempo que, cuando se desconecta, evita los ciclos cortos y repetidos de la bomba. Este dispositivo de retardo de tiempo permitirá que la bomba funcione por 20 ó 25 segundos después de que el interruptor/ flotante llegue a la posición de apagado.
4. La caja de controles contiene una luz multicolor indicadora. Si se utiliza corriente alterna, la luz le indicará que se está cargando la unidad, pero no le indicará

el voltaje de la batería, especialmente si la batería está dañada. Para que la luz le indique información correcta debe seguir los pasos de "a" a "d".

- a. Desconecte la bomba principal y el cargador- sonará una alarma por 30 segundos para indicarle que están desconectados.
- b. Alce y suelte el interruptor/flotante para activar la bomba auxiliar.
- c. Cuando la bomba de respaldo deje de operar vea las luces multicolores:

Verde: Le indica que la batería está cargada.

Amarilla: Voltaje es bajo, la batería sólo está parcialmente cargada.

Roja: La batería está totalmente descargada o dañada.

- d. Conecte la bomba principal y el cargador al tomacorrientes. Si la corriente alterna está apagada, mientras la bomba está funcionando, la luz le indicará la carga de la batería.
5. Al escuchar un sonido cuando la luz roja se enciende le indica que necesita revisar o reemplazar la batería. El voltaje sólo le indica la condición de la batería pero no le indica el estado en que se encuentra. Vea la sección de Mantenimiento donde se le indica como evaluar el estado de la batería.

Guía de diagnóstico de averías - Bomba de Respaldo

Síntoma(s)	Causa(s) Posible	Medida(s) Correctiva
La bomba no funciona	<ol style="list-style-type: none"> 1. Conexiones flojas 2. Batería baja 3. Obstrucción del interruptor de flotador 4. Fusible defectuoso o quemado 	<ol style="list-style-type: none"> 1. Revise todas las conexiones 2. Revise la batería y reemplácela si está baja 3. Asegúrese de que nada interfiera con el funcionamiento del interruptor 4. Revise el fusible interno ubicado dentro de la caja de control. Desconecte el cargador del tomacorrientes de la pared y retire el fusible. Si está quemado, cámbielo por un fusible tipo auto-motor de 15 amperios
El motor zumba, pero la bomba no funciona	<ol style="list-style-type: none"> 1. Batería defectuosa 2. Impulsor obstruido 	<ol style="list-style-type: none"> 1. Revise la batería y reemplácela si está baja o defectuosa 2. Desconecte la bomba y cerciórese de que la propela puede funcionar sin problemas. Si la propela está atascada y no puede girar, quítele los 4 tornillos en la parte inferior de la bomba para desconectar la cubierta. Limpie las piezas internas para eliminar la causa del problema. Ensamble la bomba y reconéctela
La bomba funciona pero bombea poca o nada de agua	<ol style="list-style-type: none"> 1. Revise la válvula que falta o que está mal instalada 2. Obstrucción en el tubo de descarga 3. La bomba no ha sido inclinada 30 grados 4. Bomba bloqueada por aire 5. La longitud y/o altura del tubo de descarga excede la capacidad de la bomba 6. Batería baja o defectuosa 	<ol style="list-style-type: none"> 1. Asegúrese de que hay una válvula de retención instalada y funcionando entre la descarga de la bomba primaria y la conexión en T de la bomba de sumidero de reserva 2. Revise si hay obstrucción y remuévala si es necesario 3. Verifique que la bomba se rote 30° en el conector en T en la sección de instalación de ESP15, Figura 3 en la página 18. 4. La cubierta de la propela tiene un orificio en uno de los lados. Este orificio debe estar abierto para cebar la bomba. Deconecte la bomba, quítele los 4 tornillos en la parte inferior para desconectar la cubierta de la propela. Limpie el orificio y coloque la cubierta 5. Si la línea de descarga está muy alta, tal vez necesitará instalar una línea de descarga adicional a una altura inferiro 6. Revise la batería y cámbiela si está baja o defectuosa
Los ciclos de la bomba son muy frecuentes	<ol style="list-style-type: none"> 1. La válvula de chequeo principal, ubica da entre la descarga de la bomba principal y la conexión en T o válvula de charnela de la bomba de auxiliar, no ha sido instalada o está funcionando mal 	<ol style="list-style-type: none"> 1. Instale una válvula de retención o repare, según sea necesario

Funcionamiento (Continuación)

6. Un silbido de 30 segundos le indicará cuando se interrumpa el suministro de energía. La unidad comenzará a funcionar automáticamente al comenzar el suministro de energía. Cada vez que la unidad comience a funcionar escuchará un silbido de 3 segundos.

BATERÍAS

▲ PELIGRO *Mientras se están cargando, las baterías pueden liberar gas hidrógeno peligroso. Las chispas pueden hacer que el gas entre en combustión en un espacio cerrado. Use gafas de seguridad cuando conecte las baterías. Las conexiones de baterías deben hacerse en un área con buena ventilación.*

Mantenimiento

▲ PELIGRO *Siempre desconecte el suministro de*



corriente antes de intentar instalar, efectuar un servicio, reubicar o realizar el mantenimiento de la bomba. NO toque nunca la bomba de sumidero, el motor de la bomba, el agua o el tubo de descarga mientras la bomba esté conectada al suministro de corriente. Nunca manipule la bomba o el motor de la bomba con las manos húmedas o cuando se encuentre sobre una superficie húmeda o mojada ni dentro del agua. PUEDE presentarse un choque eléctrico mortal.

1. Revise la condición de la batería una vez al mes.
2. Desconecte el cargador de pared.
3. En las baterías con tapones superiores removibles, se debe comprobar el nivel electrolítico y mantenerlo de conformidad con los lineamientos impartidos por el fabricante. La carga para cada pila se debe verificar con un hidrómetro. Una gravedad específica de 1,265 indica que la batería está con carga completa. Si la gravedad específica de

cualquiera de las pilas varía en más de 0,050, la batería debe ser reemplazada.

NOTA: Puede obtener un hidrómetro de bajo costo en un distribuidor de repuestos de automóviles.

4. Inspeccione los bornes y abrazaderas para determinar si hay corrosión y si están ajustados. Límpielos y ajústelos según sea necesario.
5. Desconecte la bomba principal y llene el sumidero con agua hasta que se prenda la bomba auxiliar. Repita el procedimiento dos veces para asegurarse de que la bomba opera normalmente.
6. Si la bomba opera normalmente, enchufe el cargador en el tomacorriente de pared y encienda la bomba principal. Si la bomba deja de operar normalmente, vea la guía de Detección de fallas y corrija el problema. Repita el paso No. 5.

Para Piezas de Repuestos, Llame al 1-800-237-0987

Sírvase proporcionar la siguiente información:

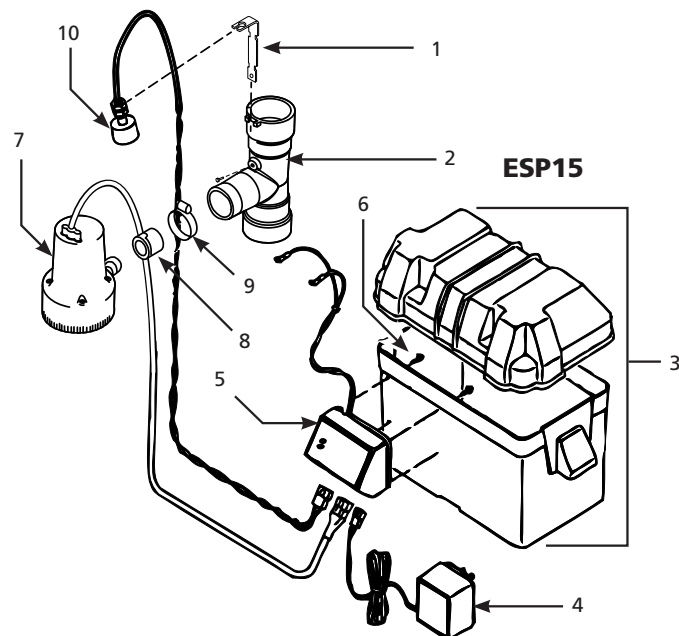
- Número de modelo
- Número de serie (si tiene)
- Descripción y número de repuesto como se muestra en la lista de repuestos

Envíe su solicitud de repuestos a la siguiente dirección:

WAYNE Water Systems
101 Production Drive
Harrison, OH 45030 U.S.A.

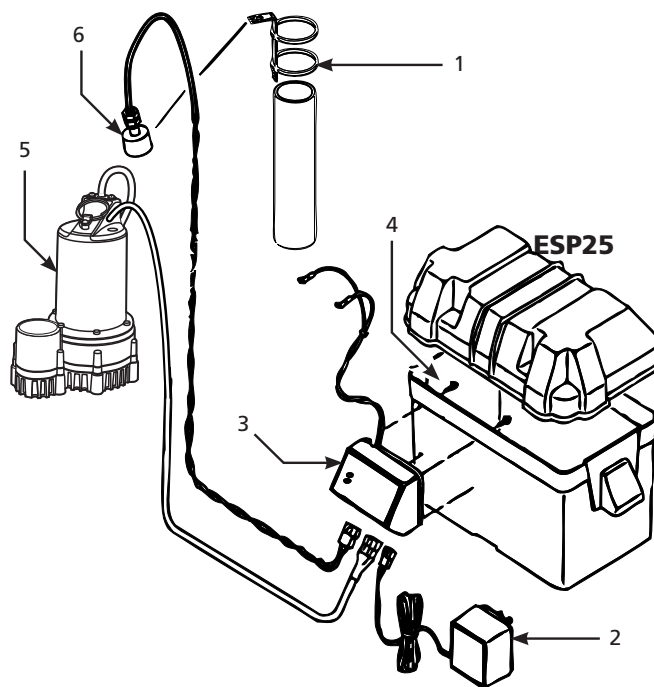
Piezas de Repuestos – ESP15

N° de Ref.	Descripción	Número de pieza	Ctd.
1	Ménsula	46049-001	1
2	Conexión en T	17233-002	1
3	Compartimento de batería	23217-001	1
4	Cargador	17220-004	1
5	Caja de control	30209-003	1
6	Tornillo - caja de control	16119-002	4
7	Bomba	17218-003	1
8	Válvula de charnela	17216-001	1
9	Abrazadera de manguera	16044-001	1
10	Interruptor/ flotante	30033-001	1



Piezas de Repuestos – ESP25

N° de Ref.	Descripción	Número de pieza	Ctd.
1	Ménsula	46049-001	1
2	Cargador	30221-001	1
3	Caja de control	30222-004	1
4	Tornillo - caja de control	16119-002	4
5	Bomba	58324-001	1
6	Interruptor/ flotante	30033-001	1



GARANTÍA LIMITADA

Sistema ESP15: Durante uno (1) año a partir de la fecha de compra, WAYNE Water Systems (WAYNE) reparará o reemplazará, según lo decida, para el comprador original, cualquier pieza o piezas de sus Bombas para cloacas o Bombas de agua ("Producto") que después de un examen sea(n) hallada(s) por WAYNE Water Systems como defectuosa(s) en su material o mano de obra.

Sistema ESP25: Durante dos (2) años a partir de la fecha de compra, WAYNE Water Systems (WAYNE) reparará o reemplazará, según lo decida, para el comprador original, cualquier pieza o piezas de sus Bombas para cloacas o Bombas de agua ("Producto") que después de un examen sea(n) hallada(s) por WAYNE Water Systems como defectuosa(s) en su material o mano de obra.

Para recibir información sobre los pasos a seguir, comuníquese directamente con la compañía WAYNE Water Systems (1-800-237-0987, sólo desde EE.UU.), o con el distribuidor autorizado más cercano a su domicilio. En el momento de reclamar sus derechos bajo esta garantía deberá suministrarnos el número del modelo. Todos los gastos de flete serán la responsabilidad del comprador.

Esta garantía limitada no cubre los daños debido a accidentes, abusos, uso inadecuado, negligencia, instalación inadecuada, mantenimiento inadecuado, o funcionamiento sin seguir las instrucciones suministradas por escrito por la compañía WAYNE Water Systems.

NO EXISTE OTRA GARANTÍA EXPRESA. LAS GARANTÍAS IMPLÍCITAS, INCLUYENDO AQUELLAS DE COMERCIALIZACIÓN Y APTITUD PARA UN PROPÓSITO EN PARTICULAR, ESTÁN LIMITADAS A UNO (1) AÑO A PARTIR DE LA FECHA DE COMPRA PARA EL SISTEMA ESP15 Y A DOS (2) AÑOS A PARTIR DE LA FECHA DE COMPRA PARA EL SISTEMA ESP25. ESTA ES LA UNICA GARANTIA Y CUALQUIER PERDIDA O RESPONSABILIDAD CIVIL, SEA DIRECTA O INDIRECTA COMO CONSECUENCIA DE DAÑOS SON EXCLUIDAS.

Algunos estados no permiten límites en la duración de las garantías, o no permiten que se limiten o excluyan casos por daños por accidentes o consecuentes, en dichos casos los límites arriba enumerados tal vez no apliquen para Ud. Esta Garantía limitada le otorga a Ud. ciertos derechos que pueden variar de un estado a otro.

Bajo ninguna circunstancia, aunque sea debido al incumplimiento del contrato de garantía, culpabilidad (incluyendo negligencia) u otras causas, la compañía WAYNE Water Systems o ninguno de sus surtidores serán responsables legalmente por ningún fallo legal en su contra, incluyendo, pero no limitado a pérdida de ganancias, pérdidas del uso del producto o piezas asociadas con el equipo, pérdidas de capital, gastos para reemplazar los productos dañados, pérdidas por cierre de fábrica, servicios o pérdida de electricidad, o demandas presentadas por los clientes del comprador por dichos daños.

Ud. **DEBE** conservar el recibo como prueba de compra junto con esta garantía. En caso de que necesite presentar un reclamo de sus derechos bajo esta garantía, Ud. **DEBERA** enviar una **COPIA** del recibo de la tienda junto con el producto o correspondencia. Comuníquese con la compañía WAYNE Water Systems (1-800-237-0987, sólo desde EE.UU) para recibir autorización e instrucciones de como enviar la mercancía.

NO ENVIE ESTOS DATOS A WAYNE WATER SYSTEMS. Conserve esto sólo como datos.

MODELO NO. (BOMBA PRIMARIA) _____ **MODELO NO. (BOMBA DE RESPALDO)** _____

NO. DE SERIE. (BOMBA PRIMARIA) _____ **NO. DE SERIE. (BOMBA DE RESPALDO)** _____

FECHA DE INSTALACIÓN _____

GRAPE SU RECIBO DE COMPRA AQUÍ