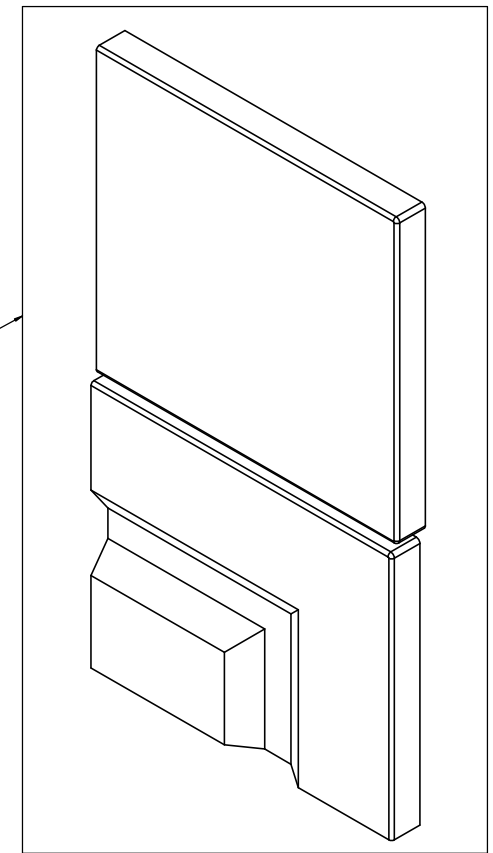
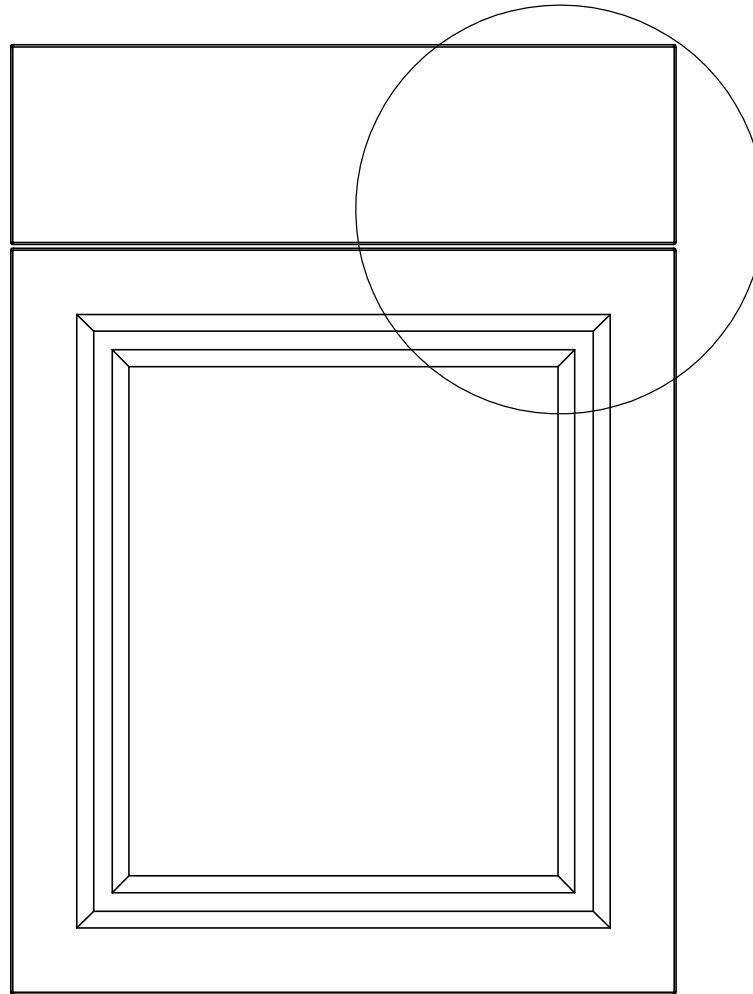



Item ID	Front Thickness [in] mm	Door Thickness [in] mm
BT2135B-WH	[.63] 16	[.63] 16

**This profile
belongs to
BT2135B-WH**



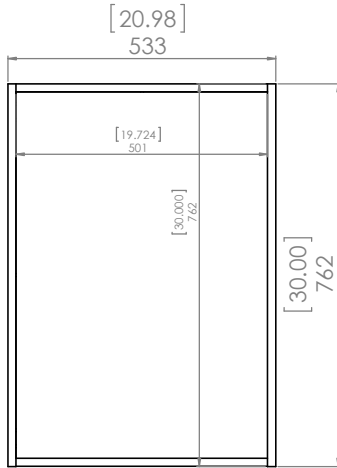
Detailed View

Profile: Benton White	
PROPRIETARY AND CONFIDENTIAL THE INFORMATION CONTAINED IN THIS DRAWING IS THE SOLE PROPERTY OF WOODCRAFTERS. ANY REPRODUCTION IN PART OR AS A WHOLE WITHOUT THE WRITTEN PERMISSION OF WOODCRAFTERS IS PROHIBITED.	UNLESS OTHERWISE SPECIFIED DIMENSIONS ARE IN MM AND [INCHES] TOLERANCES ARE +.039[1]-.039[1] SCALE:1:2
	

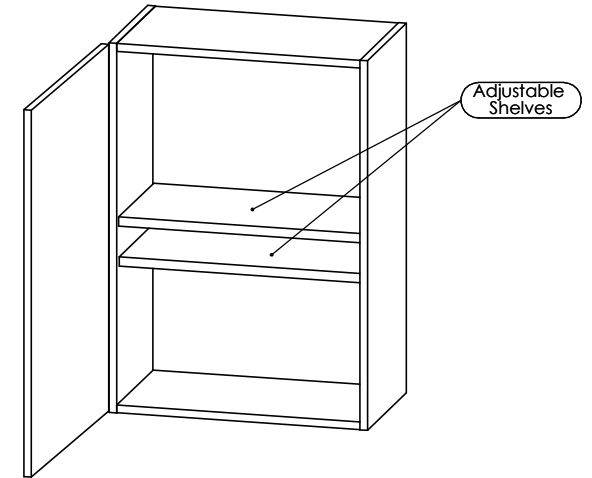
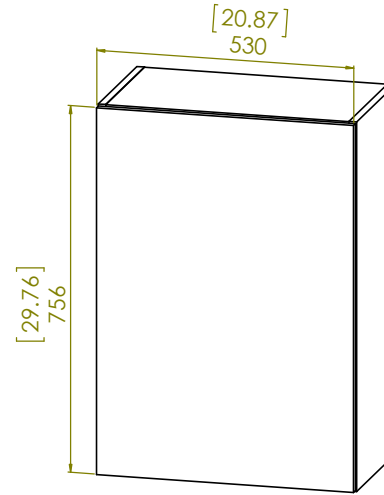
Item ID	Shelf Thickness [in] mm	Shelf Length and Width [in] mm	Depth "X" [in] mm
BT2130W-BT	[.75] 19	[19.57x10.57] 497x268.50	[12.6] 320.5
BT2130W-WH	[.75] 19		[12.5] 317.5
BT2130W-RC	[.75] 19		[12.6] 320.5
CM2130W-DK	[.75] 19		[12.6] 320.5
EH2130W-GB	[.75] 19		[12.6] 320.5
CM2130W-KG	[.75] 19		[12.5] 317.5

Description					
Assembled Wall Cabinet 21W x 30H					
REV	ECO#	Description	REV'D BY DATE	CHK'D BY DATE	APRV'D BY DATE
1		Remove back cleats and add full back	ASG 7/25/18	ASG 7/25/18	ASG 7/25/18

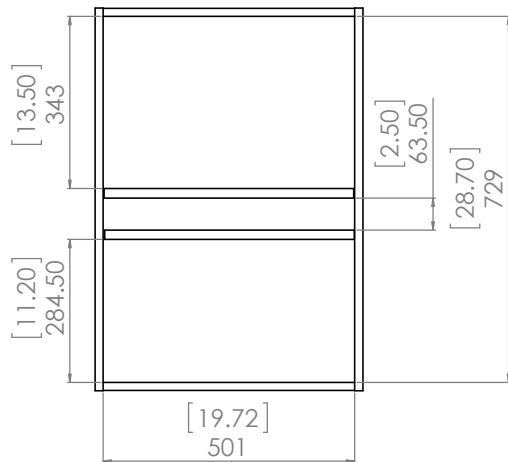
Full Back backing
501x762mm



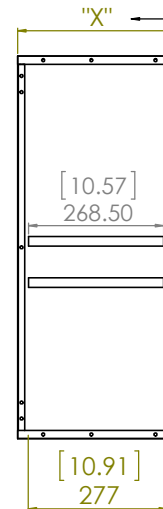
Back View



Isometric View



Front View
(front door removed)



Depth "X"
depends on
door profile

Side View
(left panel removed)

NAME	SIGNATURE	DATE		
DRAWN	Mark Flores	11/6/17	MATERIAL:	
CHK'D			WEIGHT:	
APPV'D			UNLESS OTHERWISE SPECIFIED	
MFG			DIMENSIONS ARE IN MM. AND [INCHES]	
PROPRIETARY AND CONFIDENTIAL			TOLERANCES ARE + 0.039 [1] - 0.039 [-1]	
THE INFORMATION CONTAINED IN THIS DRAWING IS THE SOLE PROPERTY OF WOODCRAFTERS. ANY REPRODUCTION IN PART OR AS A WHOLE WITHOUT THE WRITTEN PERMISSION OF WOODCRAFTERS IS PROHIBITED.			SCALE:1:5	
			SCALE:1:5	
			A1	
			Wood Crafters®	
			Wall_Cabinet_21in	
			SHEET 1 OF 2	

SHEET CHANGES SPECIFIED				Sheet	GROUP AND SHEET GROUP CODE	DO NOT SCALE DRAWING	REVISION
INDICATE PAGE NUMBER							
START FROM							
END TO							
ANGLES							
DATE	NAME	SCALE	DATE			TITLE	
				MATERIAL			
				WEIGHT			
						SCALE IS	SHEET OF 3

Wall 21x30in spec sheet PB