

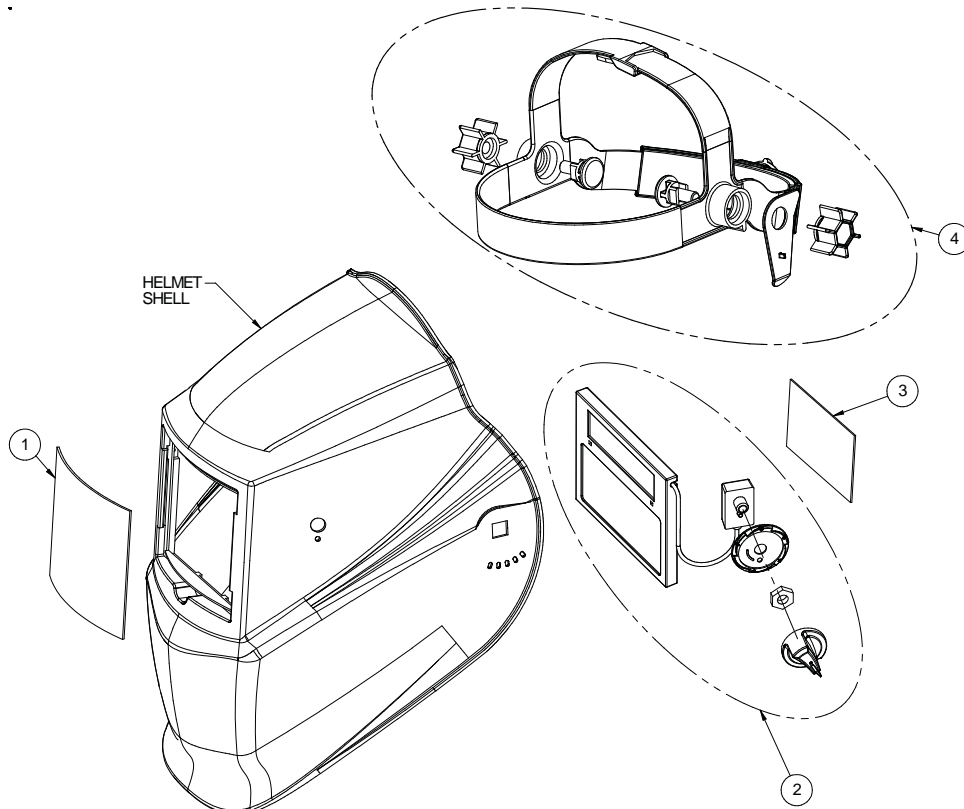
WARRANTY INFORMATION

WARRANTY INFORMATION: These helmets are warranted for a period of two years. Please contact us at **1 (800) 833-9353** for any service or warranty questions.

SPATTER DAMAGE IS NOT COVERED BY WARRANTY:

Do not use this product without the correct protective clear cover lenses installed properly on both sides of the Auto-Darkening Filter cartridge (ADF). The cover lenses supplied with this helmet are properly sized to work with this product and substitutions from other suppliers should be avoided.

REPLACEMENT PARTS



| ITEM | PART NO. | DESCRIPTION | QTY |
|------|-----------|--|-----|
| 1 | S27978-1 | OUTSIDE COVER LENS | 1 |
| 2 | S27978-5 | ADF CARTRIDGE | 1 |
| 3 | S27978-2 | INSIDE COVER LENS | 1 |
| 4 | S27978-24 | HEADGEAR ASSEMBLY (INCLUDING SWEATBAND) | 1 |
| 5* | S27978-4 | SWEATBAND | 1 |

* Not illustrated