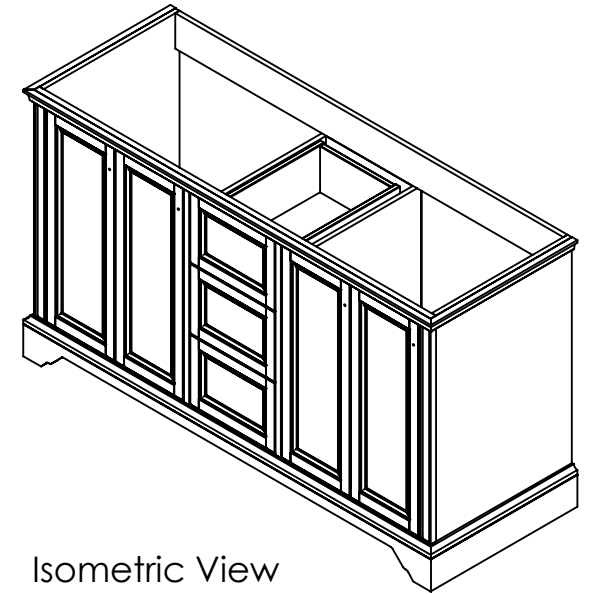
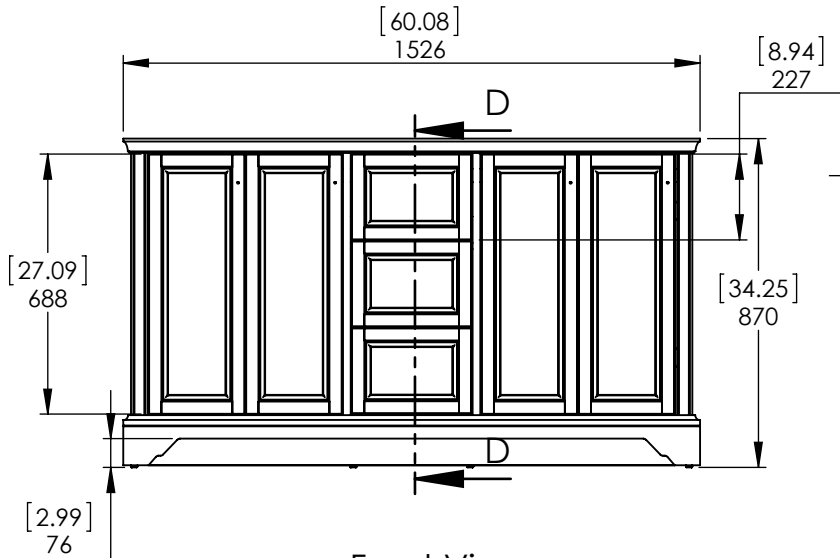


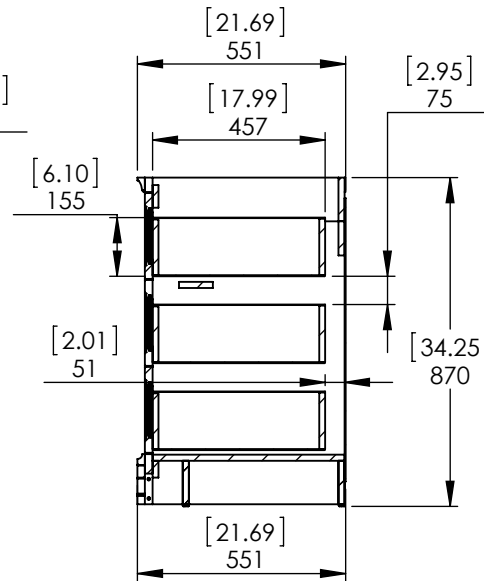
Top View



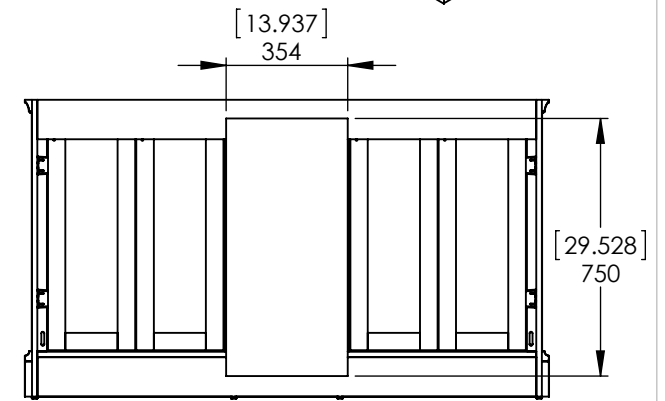
Isometric View



Front View



Section D-D



Back View

ITEM:	SF60-WH SF60-ST SF60-CR SF60-CH	REV	A
NAME:	Stratfield 60in		

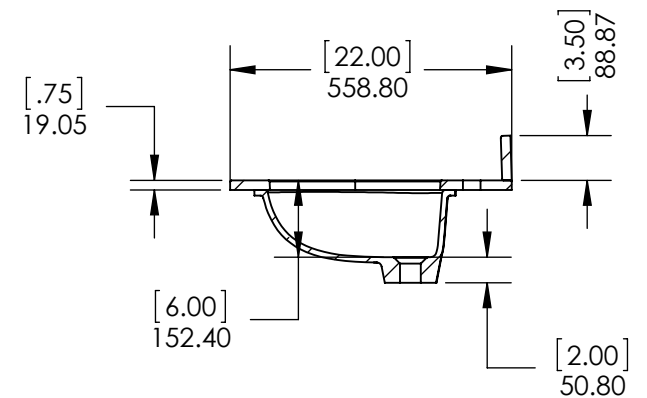
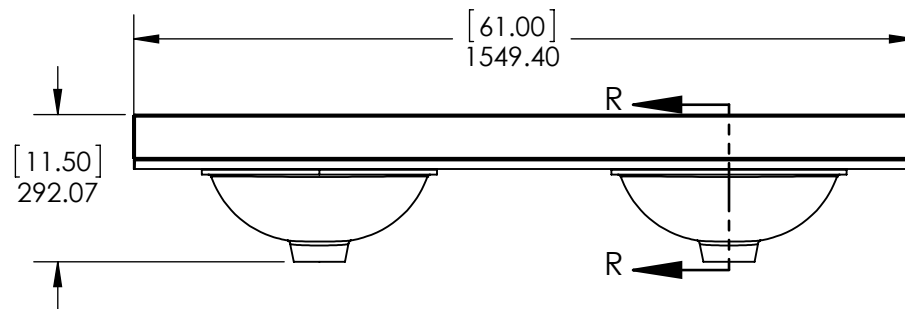
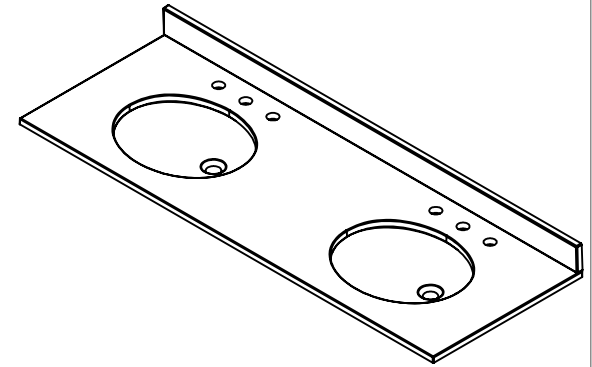
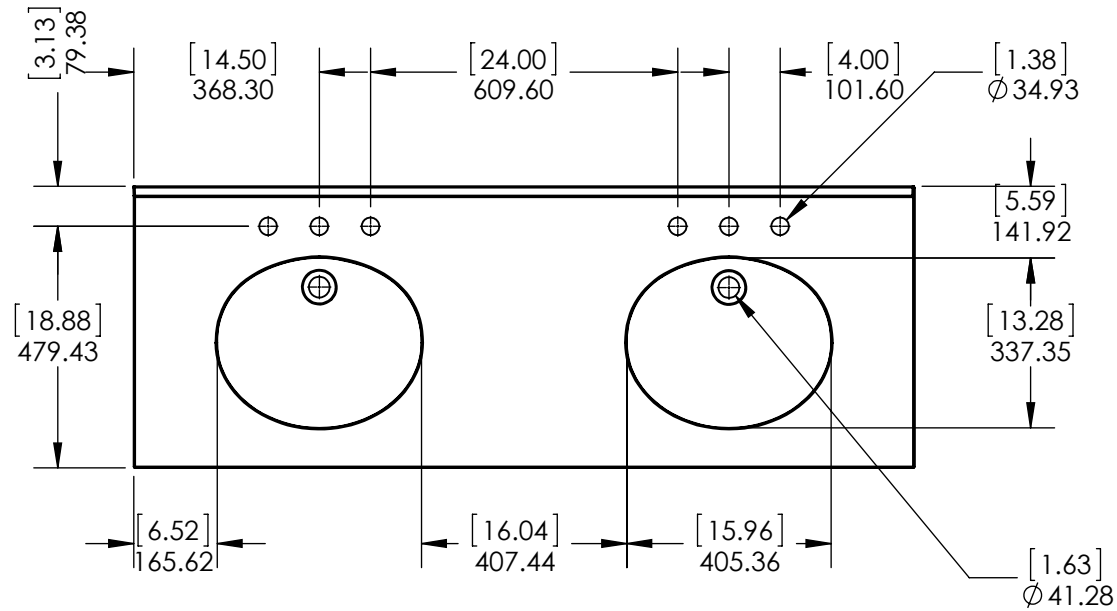


Propiedad y Confidencialidad
La información contenida en este dibujo es puramente propiedad de Woodcrafters Home Products LLC. Queda prohibida cualquier reproducción parcial o total sin el permiso por escrito de Woodcrafters Home Product LLC.

DWG	LAG	03/29/17
REV	ING	03/29/17
APP	R&D	22/12/17
SCALE: 1:20		MODEL:

MATERIAL:
German beech 4/4 Laminated particle board (4 colours)
Stratfield 60in

Rev #	Approved by	Change
0	R. Rubio	Released
1	O. Razo	New color and profile



PROPRIETARY AND CONFIDENTIAL
 THE INFORMATION CONTAINED IN THIS DRAWING IS THE SOLE PROPERTY OF WOODCRAFTERS. ANY REPRODUCTION IN PART OR AS A WHOLE WITHOUT THE WRITTEN PERMISSION OF WOODCRAFTERS IS PROHIBITED.

UNLESS OTHERWISE SPECIFIED
 DIMENSIONS ARE IN INCHES AND [MM]
 TOLERANCES ARE
 +0.125 [3.175] -0.125 [-3.175]
 SCALE:1:10

	NAME	DATE
DRAWN	R. Rubio	08/22/16
CHECKED	R. Rubio	08/22/16
ENG APPR.	R. Rubio	08/22/16
MFG APPR.	C. Leal	08/22/16

Wood Crafters
 Vtop Stone Effect, Oval 61x22
 SIZE DWG. NO. A
 SHEET 1 OF 2
 REV. 1

ID	Description	Technology	Status
SE61O-PR	Vtop Oval 61x22 SE Pulsar 8in	Stone Effect	Approved for production
SE61O-MG	Vtop Oval 61x22 SE Mineral Gray 8in	Stone Effect	Approved for production
SE61O-WM	Vtop Oval 61x22 SE Winter Mist 8in	Stone Effect	Approved for production
SE61O-CO	Vtop Oval 61x22 SE Cold Fusion 8in	Stone Effect	Approved for production
SE61O-DN	Vtop Oval 61x22 SE Dune 8in	Stone Effect	Approved for production
SE61O-RU	Vtop Oval 61x22 SE Rustic Gold 8in	Stone Effect	Approved for production

Rev #	Approved by	Change
0	R. Rubio	Released
1	O. Razo	New color and profile

PROPRIETARY AND CONFIDENTIAL
 THE INFORMATION CONTAINED IN THIS DRAWING IS THE SOLE PROPERTY OF WOODCRAFTERS. ANY REPRODUCTION IN PART OR AS A WHOLE WITHOUT THE WRITTEN PERMISSION OF WOODCRAFTERS IS PROHIBITED.

UNLESS OTHERWISE SPECIFIED
 DIMENSIONS ARE IN INCHES AND [MM]
 TOLERANCES ARE
 + 0.125 [3.175] - 0.125 [-3.175]
 SCALE:1:10

	NAME	DATE
DRAWN	R. Rubio	08/22/16
CHECKED	R. Rubio	08/22/16
ENG APPR.	R. Rubio	08/22/16
MFG APPR.	C. Leal	08/22/16

		SHEET 2 OF 2
SIZE	DWG. NO.	REV: 1
A	Vtop Stone Effect, Oval 61x22	