



OWNER'S MANUAL

**For the following
models:**

BHP0106 Series

BHV0100 Series

RHP0109 Series

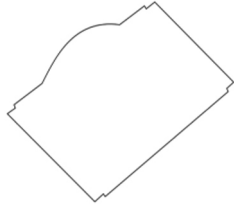
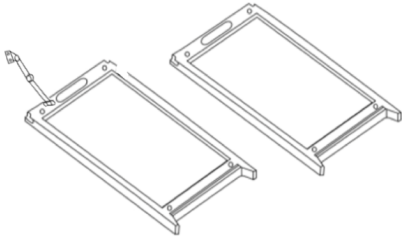
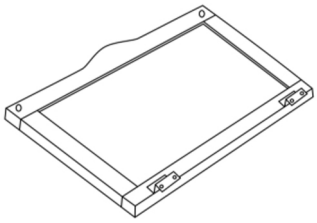
RHV0103 Series

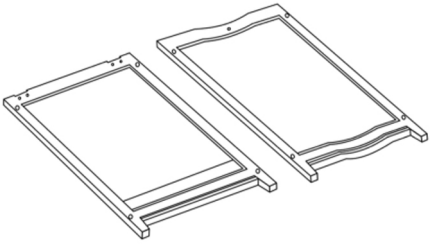
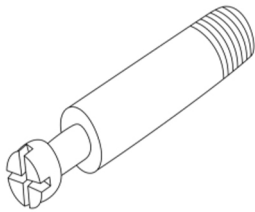
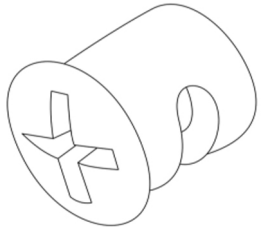
CAUTION:

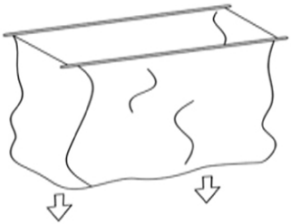
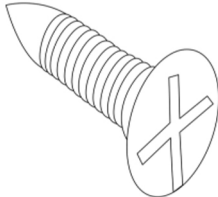
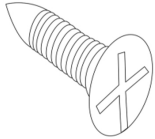
Carefully Read
Instructions and
Procedures for Safe
Operation.

LAUNDRY HAMPER

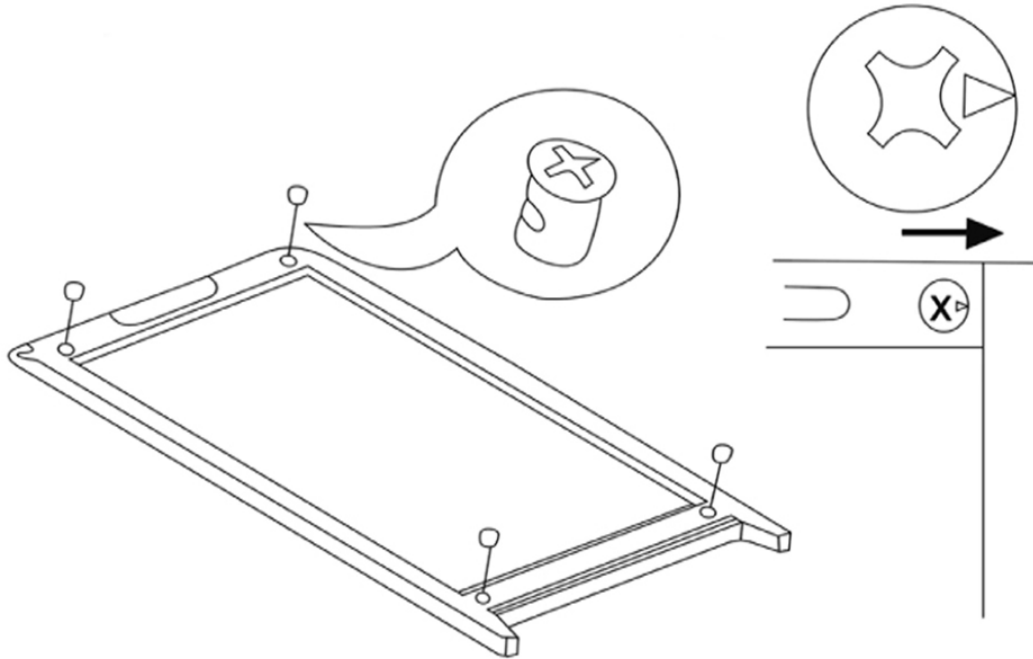
PARTS LIST

		
<p>QTY: 1</p>	<p>QTY: 2</p>	<p>QTY: 1</p>
<p>Bottom Board</p>	<p>Right and Left Side Panel</p>	<p>Hamper Lid</p>

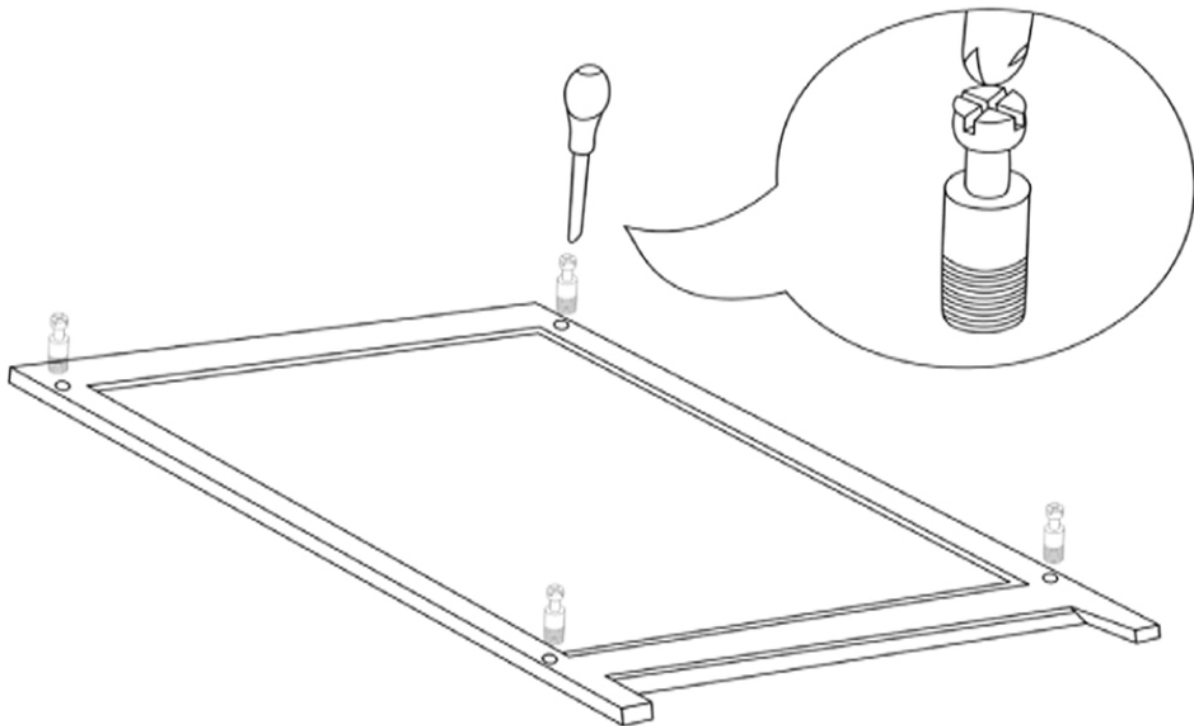
		
<p>QTY: 2</p>	<p>QTY: 8</p>	<p>QTY: 8</p>
<p>Back and Front Panel</p>	<p>Threaded Post</p>	<p>Cam Insert</p>

		
<p>QTY: 1</p>	<p>QTY: 4</p>	<p>QTY: 2</p>
<p>1 Interior Bag with 2 Metal Rod</p>	<p>Screw for Hinges</p>	<p>Screw for Piano Hinge</p>

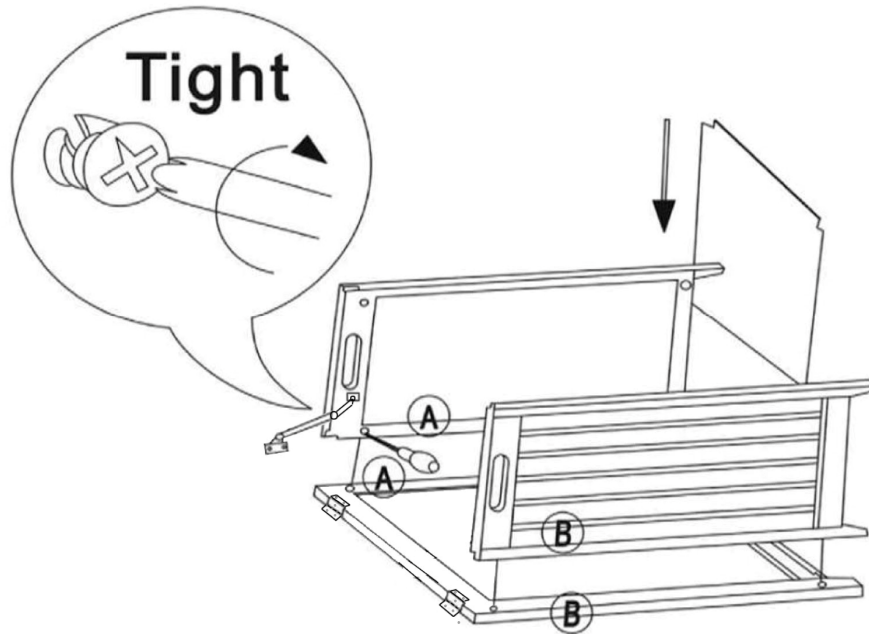
1) Insert 4 Cam Inserts into the four corners of the Right Side Panel (the one with a Piano Hinge). Also insert 4 Cam Inserts into the four corners of the Left Side Panel.



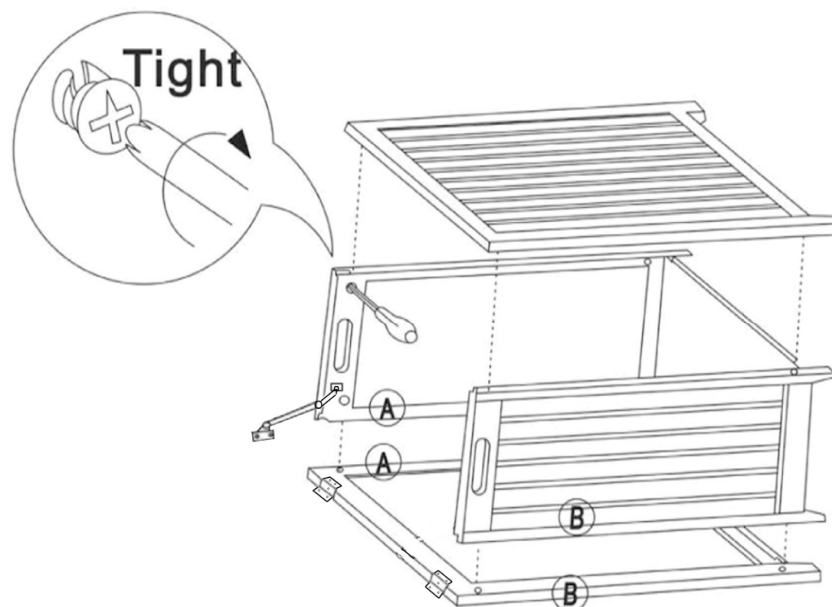
2) Insert 4 Threaded Posts into the four corner of the Front Panel. Also insert 4 Threaded Posts into the four corners of the Back Panel.



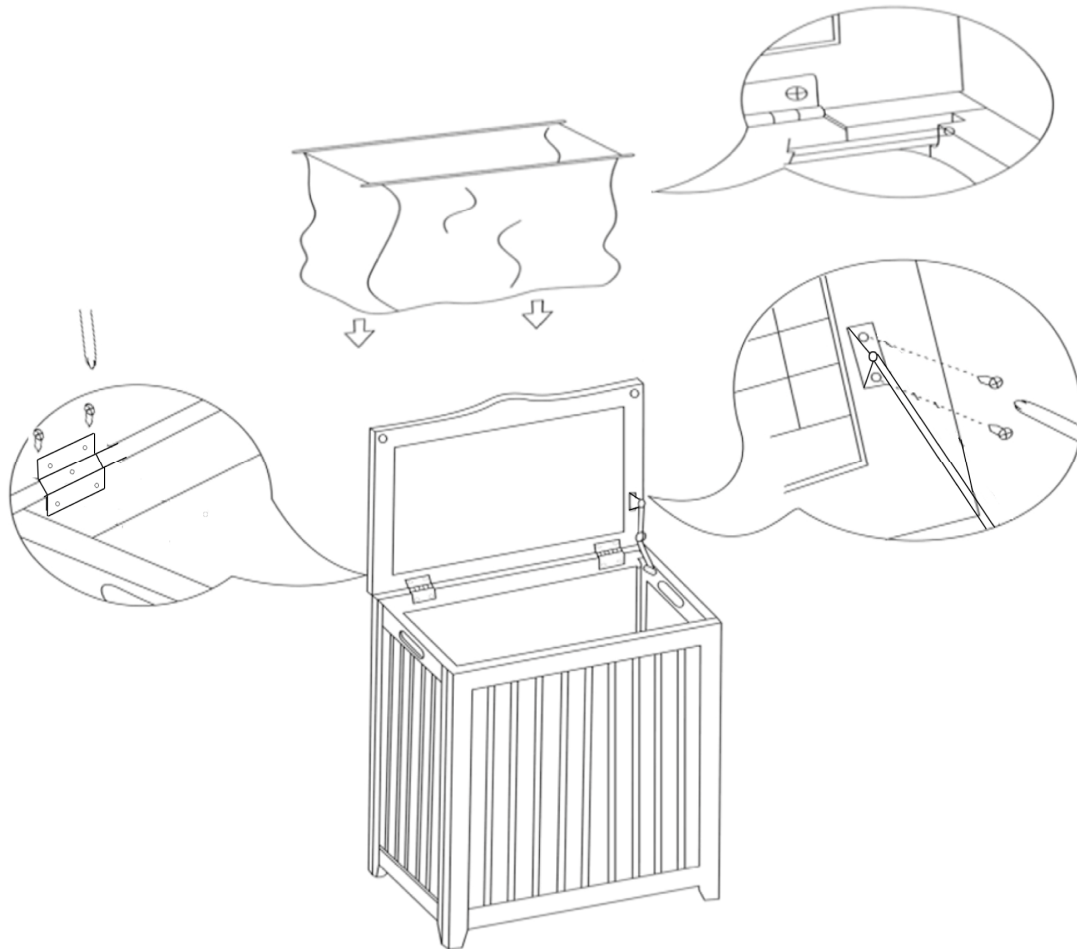
3) Align Right and Left Side Panels to the Back Panel and connect them together. Use a Slotted screwdriver or Phillips screwdriver to tighten the Cam Inserts. Slide the Bottom Board as shown below.



4) Align Front Panel (Flat Style shown below or Bowed Front Style) to the Side Panels and connect them together using a Slotted screwdriver or Phillips screwdriver.



5) Align Hamper Lid to the Back Panel using the four Screws for Hinges provided with a screwdriver to tighten. Connect the Piano Hinge to the Hamper Lid (see diagram) using the two Screws for Piano Hinge with a screwdriver. Insert Interior Bag into the hamper (see diagram). Close the lid and you are done. Congratulations on your new hamper!



CAUTION: DO NOT apply pressure to the hinges by opening the lid past its normal stopping point which is at 90 degrees.

NOTE: If this product appears to be defective, has missing parts, damaged, or you have any operational and technical installation questions, please contact Manufacturer (Oceanstar Design Group Inc.) via email : support@oceanstardesign.com or via Tel: 888-317-4571 option Customer Service. DO NOT contact your retail store.

WARNING: TO AVOID DANGER OF SUFFOCATION, KEEP THIS AND ALL OTHER PLASTIC BAGS AWAY FROM BABIES AND CHILDREN. DO NOT USE IN CRIBS, BEDS, OR PLAYPENS. THE THIN FILM MAY CLING TO NOSE AND MOUTH AND PREVENT BREATHING.