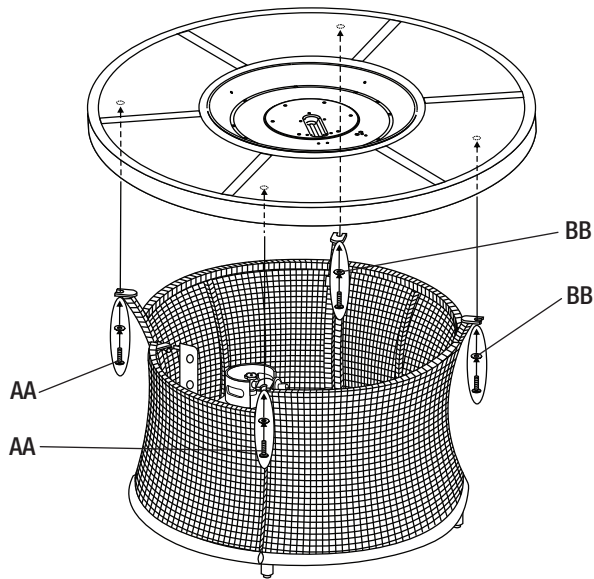


Assembly

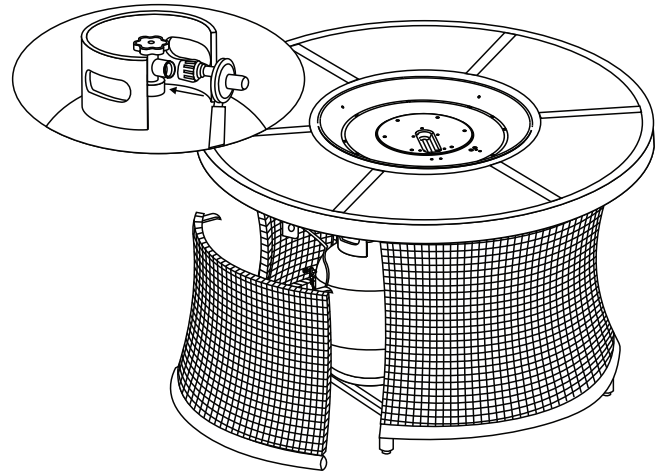
1 Attaching the top

- With the help of another person, carefully place the table top (A) onto the table base. After making any necessary adjustments to the alignment of the table top and the assembled base, use four 1/4" x 20 mm bolts (AA) and Ø20xØ6.5x2.0 mm washers (BB) as shown below.
- Guide the bolts through the holes in the side panels, into the pre-drilled holes in the table top. **Do not tighten completely.**



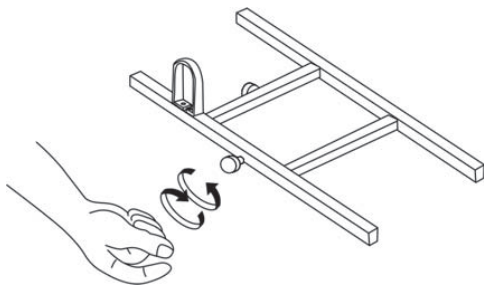
2 Connecting the gas tank

- Open the tank door, place the tank in the holder and connect the regulator as shown in below. Turn the handle clock-wise to tighten. Turn the handle counter clock-wise to remove. The hose must point down. Open the control door and check that the valve is turned all the way clockwise to the "OFF" position.



3 Tightening the threaded knobs

- Tighten the threaded knobs found on the tank tray as below so that the LP tank cannot move from side to side. Do not remove plastic cap from end of threaded section.



4 Tightening bolts

- After making any necessary adjustments to the parts, use the hex bolt driver (CC) to tighten all bolts. Note: each bolt must be tightened a few revolutions at a time. Repeat until all bolts are tight. Do not over tighten. Over tightening may strip bolts.