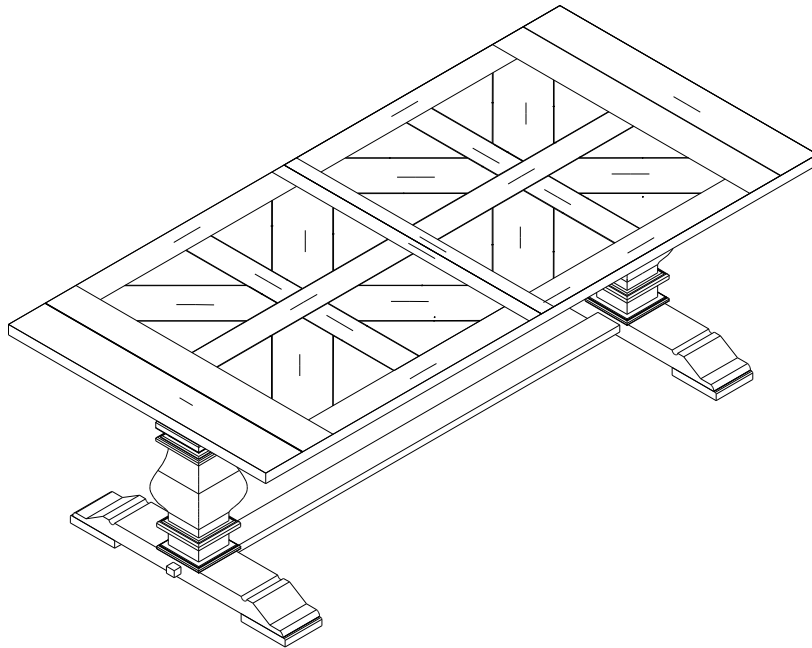


# USE AND CARE GUIDE

---

## ELDRIDGE TRESTLE DINING TABLE WITH SELF STORING EXTENSION IN HAZE



Questions, problems, missing parts? Before returning to the store,  
call Home Decorators Collection Customer Service.  
8 a.m. – 7 p.m., EST, Monday – Friday, 9 a.m. – 6 p.m., EST, Saturday

**1-800-986-3460**

**[HOMEDEPOT.COM/HOMEDECORATORS](http://HOMEDEPOT.COM/HOMEDECORATORS)**

---

**THANK YOU**

*We appreciate the trust and confidence you have placed in Home Decorators Collection through the purchase of this table. We strive to continually create quality products designed to enhance your home. Visit us online to see our full line of products available for your home improvement needs. Thank you for choosing Home Decorators Collection!*

# Table of Contents

Table of Contents .....	2	Assembly .....	5
Safety Information.....	2	Assembly (Continued).....	6
Pre-assembly .....	3	Assembly (Continued).....	7
Planning Assembly.....	3	Assembly (Continued).....	8
Tools Required .....	3	Assembly (Continued).....	9
Hardware Included .....	3	Assembly (Continued).....	10
Pre-assembly (continued) .....	4	Maintenance .....	11
Package Contents .....	4	Care and Cleaning .....	11

# Safety Information

## DANGER

- Keep small parts away from children during assembly.
- Read and follow instructions carefully.

## WARNING

- Read these instructions carefully and keep in a safe place.
- TO GUARANTEE THE SAFE USE OF THIS PRODUCT, FOLLOW THE WARNINGS, GUIDELINES AND RECOMMENDATIONS IN THIS MANUAL.
- Adult assembly required.
- Small parts may present choking hazard prior to assembly.
- Do not stand, step or climb on unit.
- During assembly, do not step inside table top.

## CAUTION

- Do not use power tools to assemble your item.
- Power tools may strip or damage parts/product.
- Do not over tighten connectors (screws, bolts, etc.) Overtightening can lead to product damage.
- Be sure to check all packing materials carefully for small parts that may have come loose inside the carton during shipment. If parts are missing, contact THE HOME DEPOT to obtain any missing parts.
- DO NOT USE SUBSTITUTE PARTS.
- This product should only be used on a flat, level surface.
- Product is designed to load up to 125lbs. Exceeding this limit may damage the product or cause injury to the user.

# Pre-assembly

## PLANNING ASSEMBLY

Compare parts with the Hardware Included and Package Contents lists in this document. If anything appears missing or damaged, do not assemble this product. Call Customer Service at 1-800-896-3460.

## TOOLS REQUIRED



Safety goggles

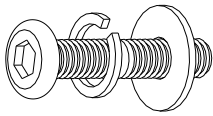
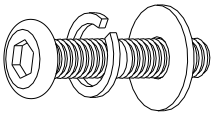
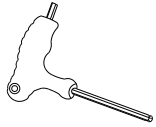
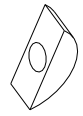
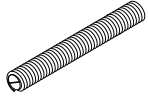
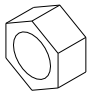




Level

## HARDWARE INCLUDED



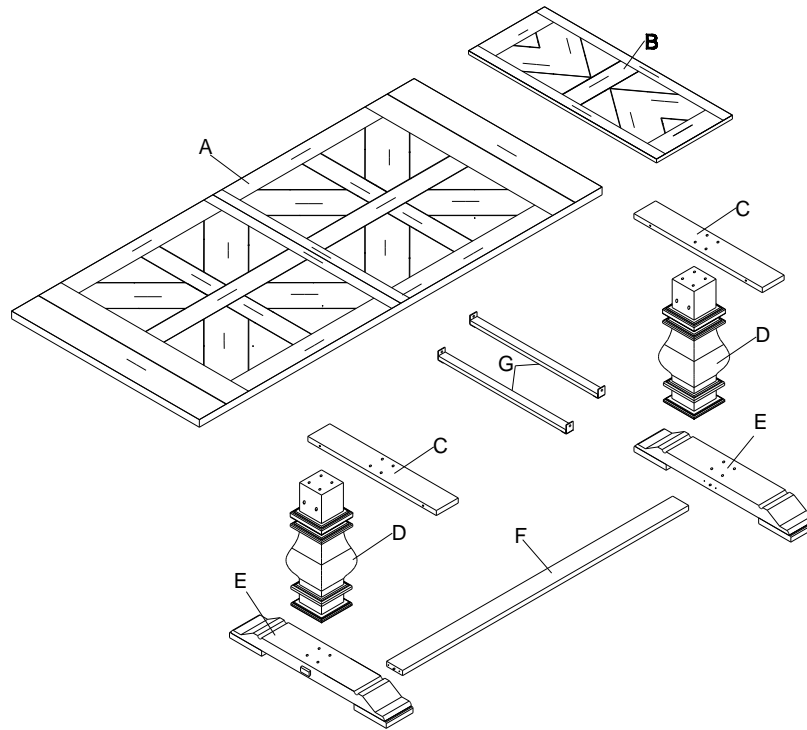
**NOTE:** Hardware not shown to actual size.

 <b>AA</b>	 <b>BB</b>	 <b>CC</b>	 <b>DD</b>
 <b>EE</b>	 <b>FF</b>	 <b>GG</b>	 <b>HH</b>

IN PACK		
Part	Part Description	Quantity
AA	Long Bolt + Lock Washer + washer	32 + 1
BB	Short Bolt + Lock Washer + washer	4 + 1
CC	Allen Key	1
DD	Half Moon Washer	2 + 1
EE	Threaded Rod	2 + 1
FF	Hex Nut	2 + 1
GG	Wrench	1
HH	Wooden Dowel	4 + 1

# Pre-assembly (continued)

## PACKAGE CONTENTS



Part	Component Description	Quantity
A	Table Top	1
B	Extension Leaf	1
C	Top Support Platform	2
D	Pedestal	2
E	Base	2
F	Stretcher	1
G	Top support rail	2

## 1 Assembly Platform to Pedestal

- Locate support Platform (C) on top of Pedestal (D)  
*In the same direction as "Arrow" sticker.*  
*(Reference Fig.1)*
- Insert Short Bolts (AA), into drilled holes, make sure it fitted through holes on Pedestal top and tighten them by Allen Key (CC).  
*(Reference Fig.1)*
- Do same above steps for another Pedestal (D).  
*(Reference Fig.1)*

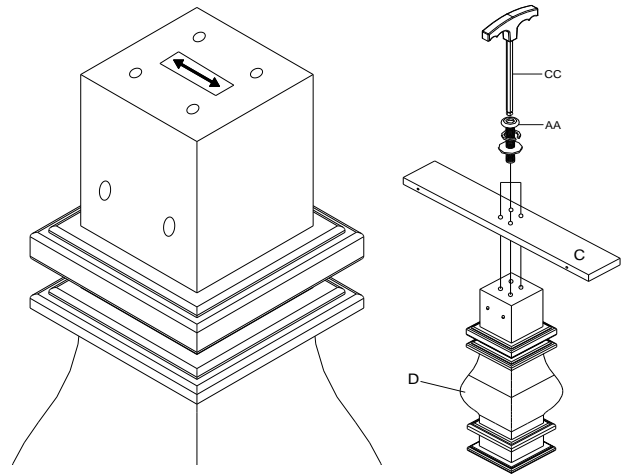


Fig.1

## 2 Assembly Base to Pedestal

- Upside down Pedestal (D) which installed to Platform (C) at step 1.  
*(Reference Fig.2)*
- Locate Base (E) on bottom of Pedestal (D),
- Locate Bolts (AA) into drilled holes on Base (D) and tighten them through Pedestal by Allen Key (CC) provided.  
*(Reference Fig.2)*
- Do same above steps for another Base (E).

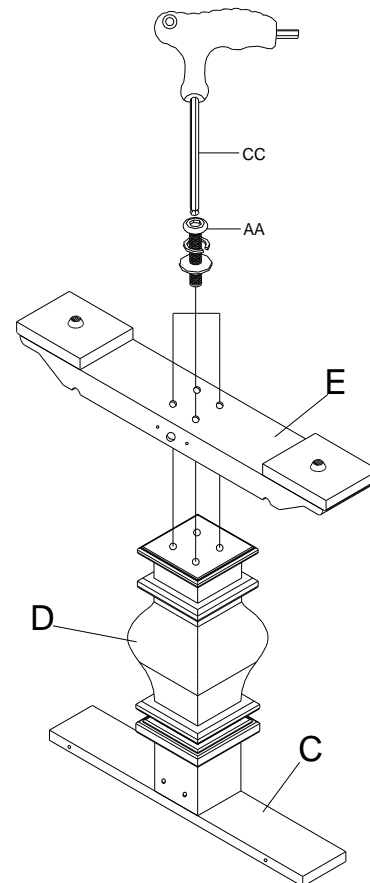



Fig.2

### 3 Assembly Stretcher to Base

- Locate Dowels (HH) into 2 drilled holes on base as shown. In the meantime, screw up the Threaded Rod (EE) manually into the center hole as well.  
(Reference Fig.3)
- Make sure Dowels & Thread Rod are fitted well and aligned between Base & Stretcher  
(Reference Fig.4)
- Assembly Stretcher (F) to Base (E) by slightly tighten Thread Rod (EE), Half Mon Washer (DD) and Hex Nuts (FF) with Wrench (GG) Provided.  
(Reference Fig.5)
- Do same above steps for another end.

 **NOTE:** Tight Slightly till the whole base set in table top bottom

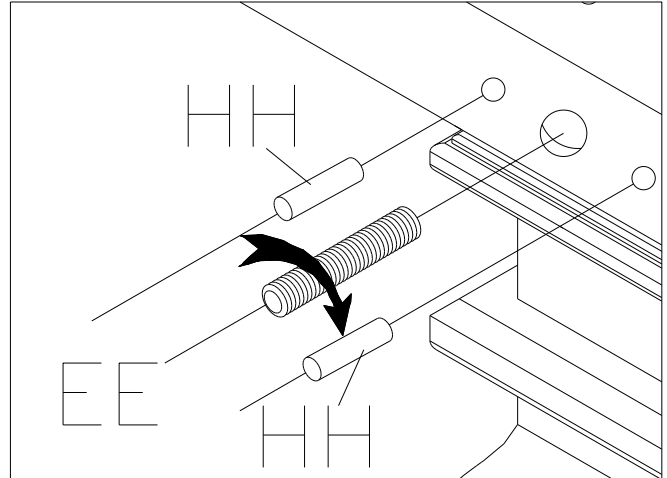


Fig.3

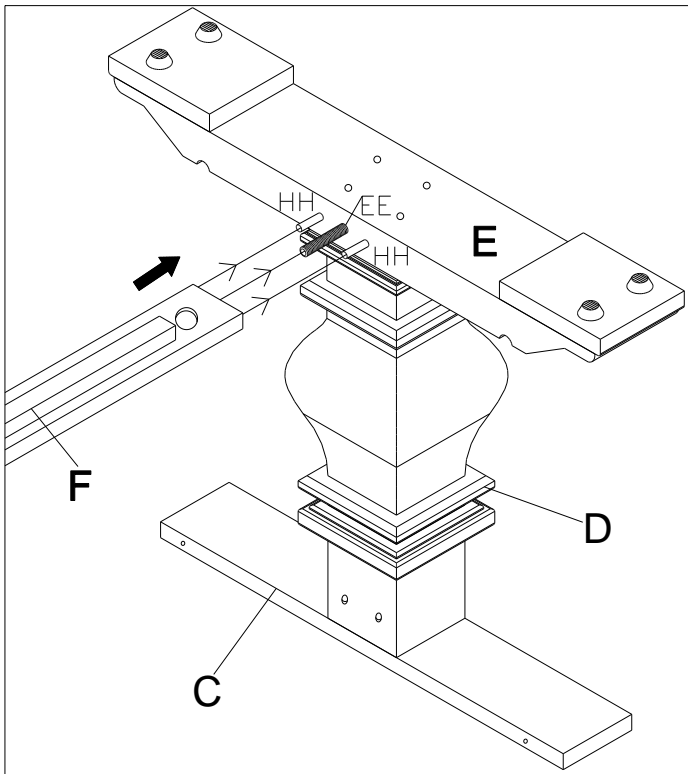
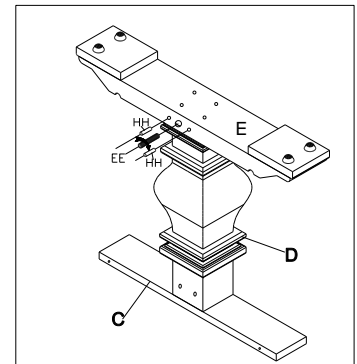


Fig.4

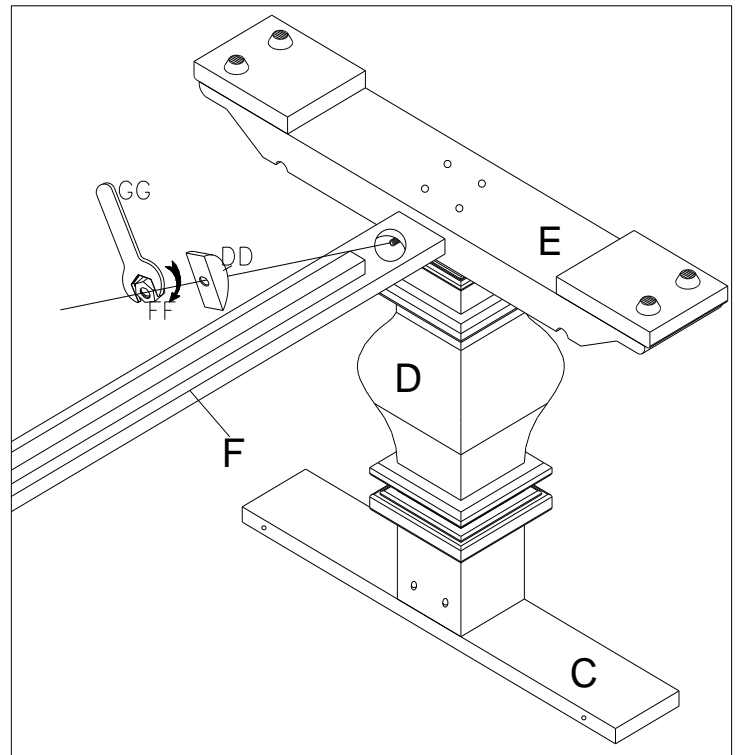


Fig.5

## 4 Assembly Pedestal to Table Top – P1

- Place Table Top (A) upside down on a soft surface such as blanket or carpet to prevent it from being scratched.  
(Reference Fig.7)
- Place Pedestals (D) which installed to Platform (C) at step 1 on Rectangular Block under top.  
(Reference Fig.7)
- Do same above steps for another Pedestal.

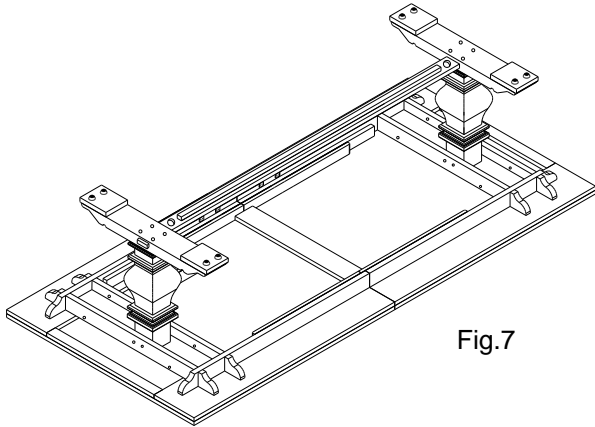


Fig.7

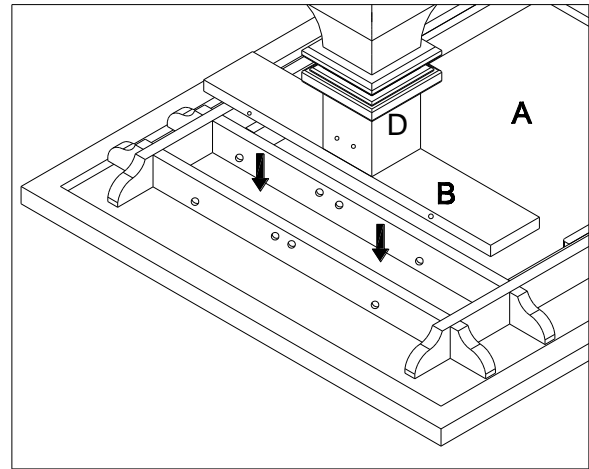


Fig.6



**WARNING:** Please note do not step inside Table Top

## 5 Assembly Pedestal to Table Top – P2

- Tighten Bolts (AA) by Allen Key (CC) from Apron through support Platform (C) and Pedestal (D) as shown.  
(Reference Fig.8)
- Do same above steps for interior side within a Pedestal (D)
- Repeat above steps for another end.



**NOTE:** Tight slightly till all bolts are completely in each hole.



**WARNING:** Please note do not step inside Table Top

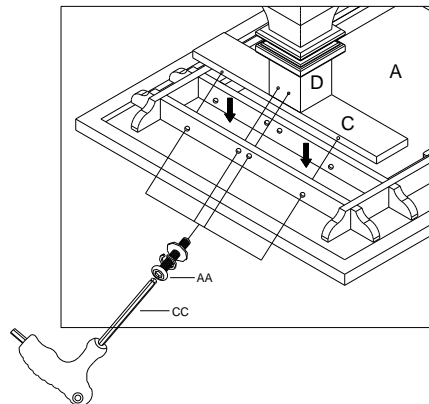
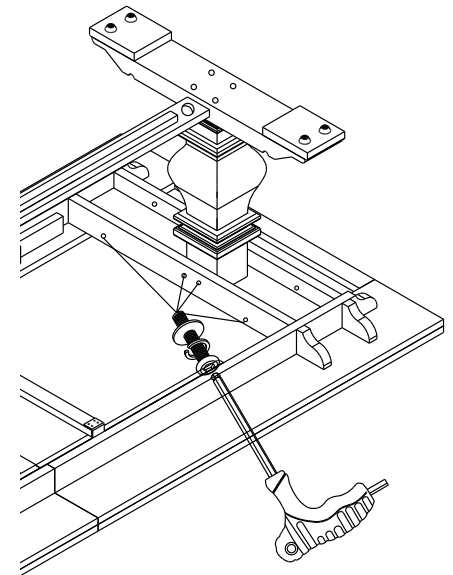


Fig.8



## 6 Turn Table Over

- Before turn Table over, please tighten all assembly hardware on stretcher and Pedestal from Step.5



**NOTE:** Adjust table level by adjusting bottom levelers.

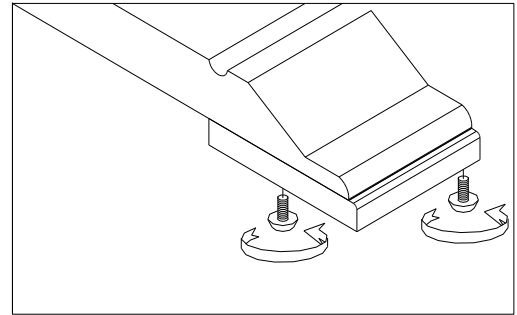


Fig.9

## 7 Assembly Support Rail to Top

- Unlock the lock underneath of Table Top.  
(Ref Fig. 10)
- Pull 1 end of table to leave open space in the table center as shown.  
(Ref Fig. 11)
- Tighten Bolt (BB) from metal bracket through table's apron by Allen Key (CC).  
(Ref Fig. 11)
- Do same above step for others.

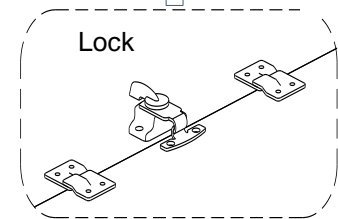
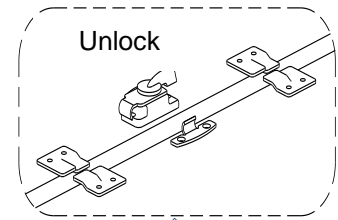


Fig.10

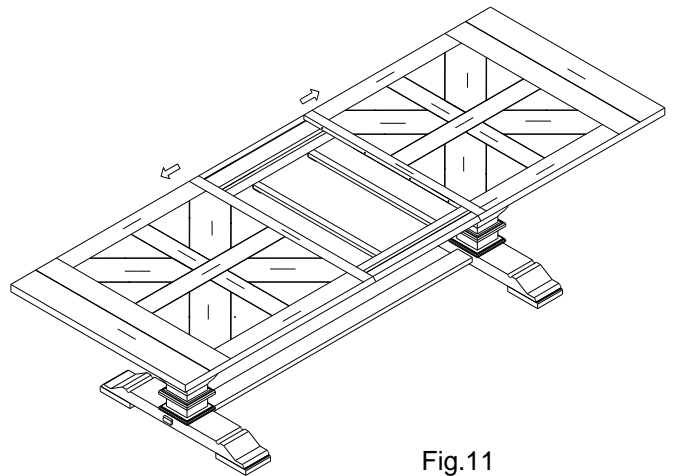
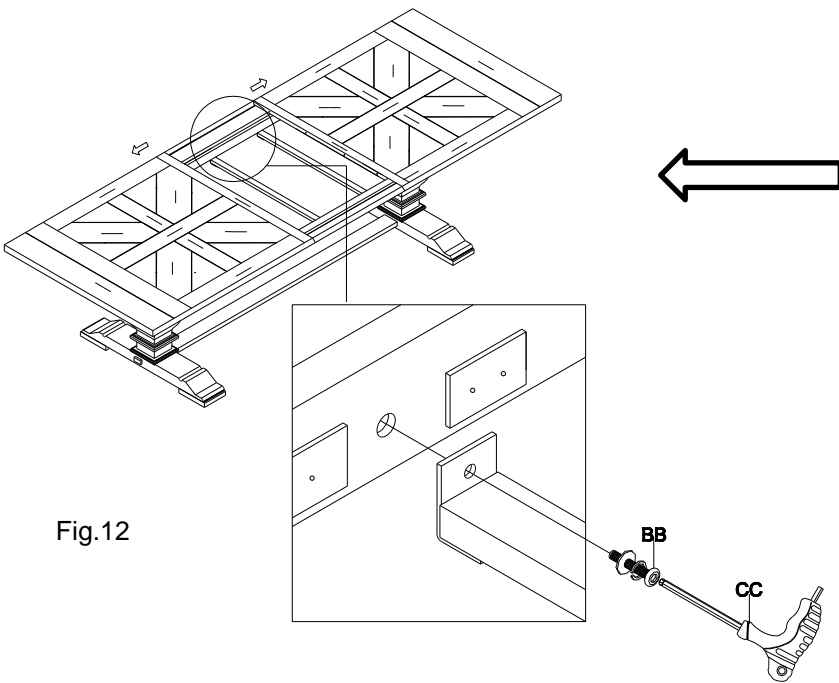


Fig.11



# 8 Assembly Extension leaf to Main Table Top

- Locate Extension Leaf (B) into the space between 2 table tops  
(Reference Fig. 13)
- Make sure 4 sets of latch (Male & female pins) are located correctly.  
(Reference Fig. 14)
- Push forward at 1 end of table to close
- Rotate the lock to lock table to prevent moving.  
(Reference Fig. 15)

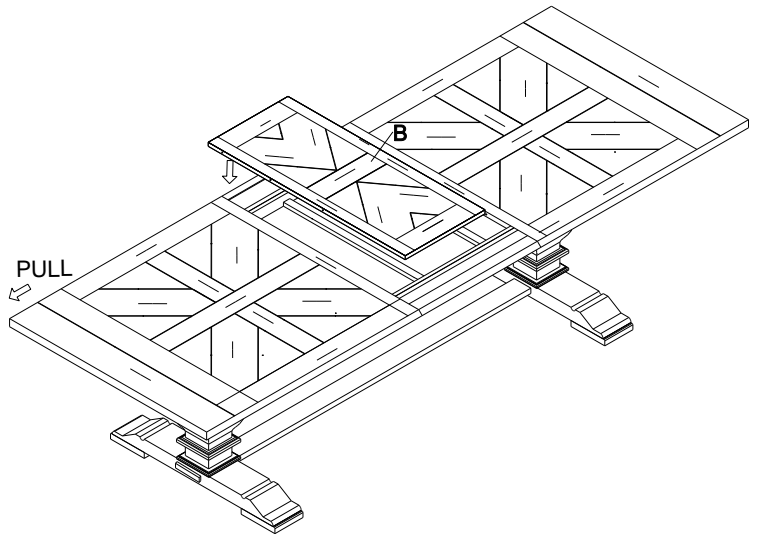


Fig.13

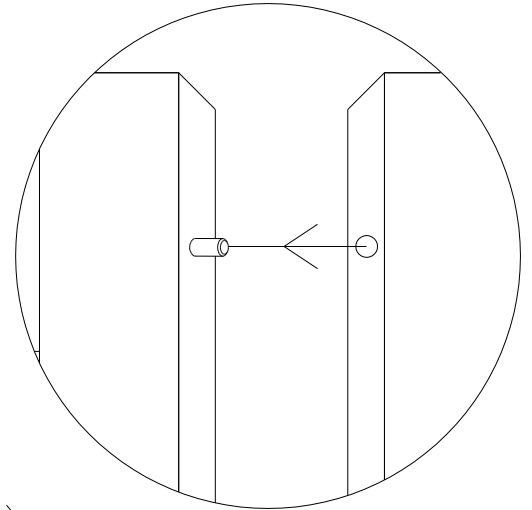
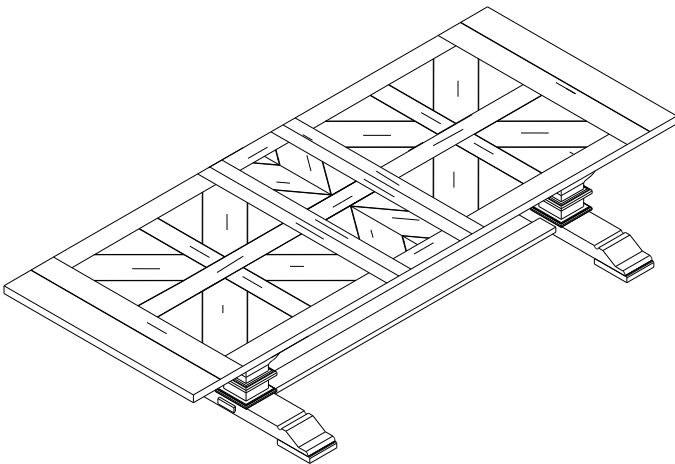


Fig.14

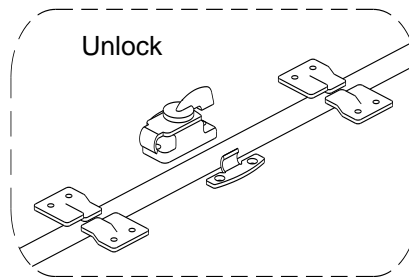
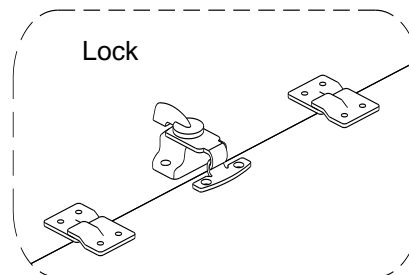


Fig.15



# 9 Store Extension Leaf

- Unlock the lock underneath Table Top
- Pull 1 end of table and lift up the extension leaf (B)  
*Reference Fig.17*
- Store the Extension Leaf to underneath of Table Top.  
*Reference Fig.18 & 19*
- Push forward at 1 end of table to close  
*Reference Fig.20*

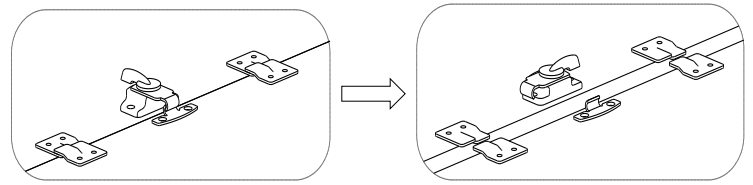


Fig.16

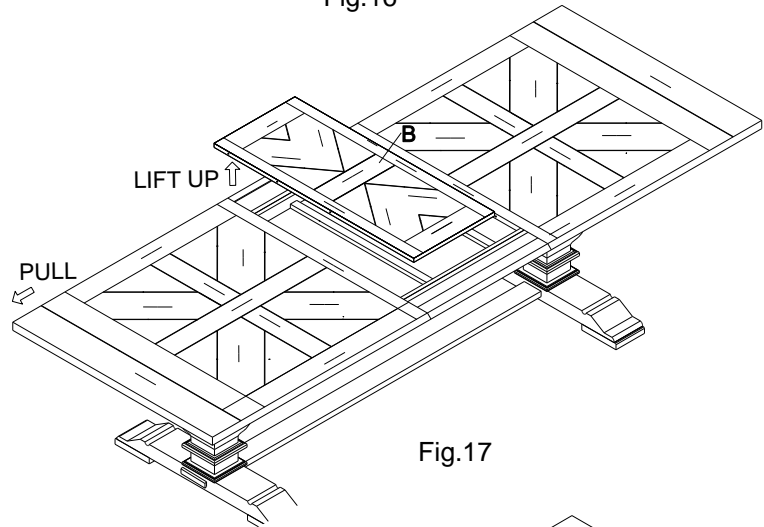


Fig.17

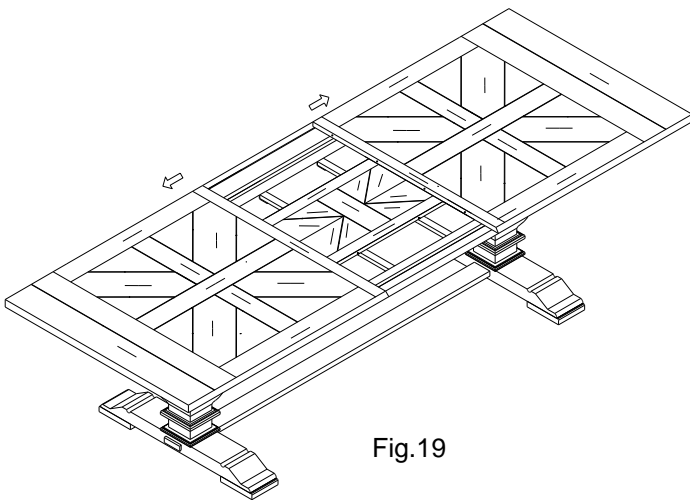


Fig.19

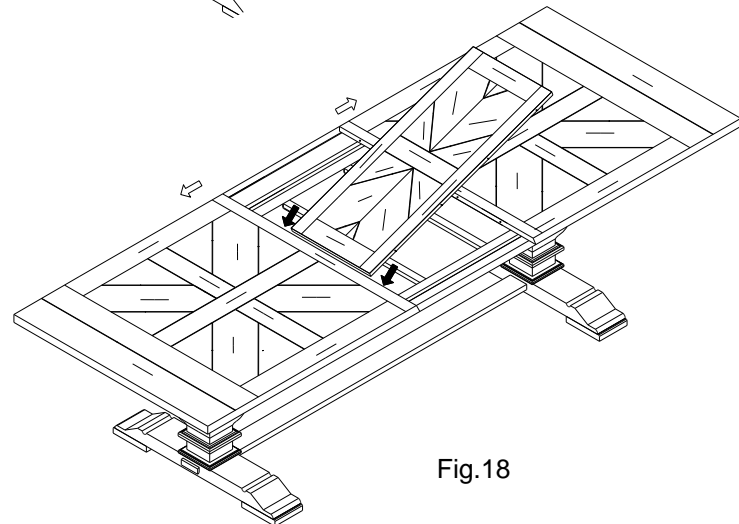


Fig.18

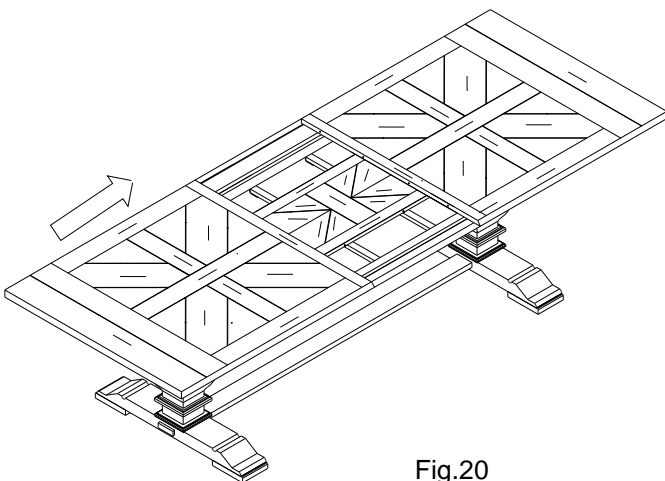


Fig.20

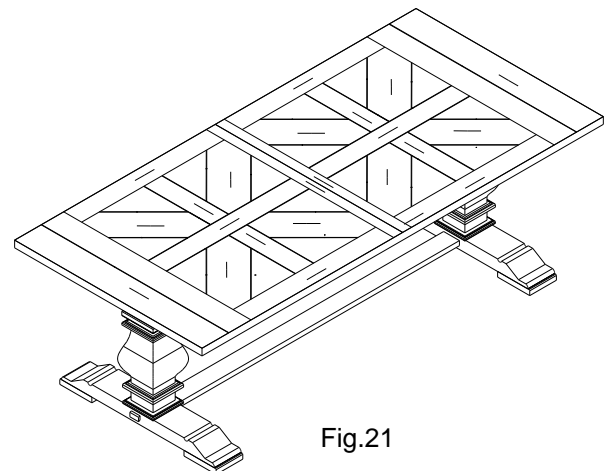


Fig.21

## Maintenance

---

- If your furniture is stained or otherwise damaged during use, contact a professional for repairs.

## Care and Cleaning

---

- Use a soft, clean cloth that will not scratch the surface when dusting.
- Use of furniture polishes is not necessary. Should you choose to use polishes, test the polish in an inconspicuous area before using over the entire surface of the product.
- Using solvents of any kind on your furniture may damage the finish.
- Never use water to clean your furniture as it may cause damage to the finish.
- Always use coasters under beverage glasses and flowerpots.
- Liquid spills should be removed immediately. Using a soft, clean cloth, blot the spill gently. Avoid rubbing.
- Always use protective pads under hot dishes and plates. Heat can cause chemical changes that may create spotting within the furniture finish.
- Use care as stains or marks from crayons or ink markers will be difficult to remove.
- Be sure to immediately clean red wine or soda stains within 30 minutes or the surface will stain

The logo for Home Decorators Collection is centered on a dark gray rectangular background. The word "HOME" is written in a large, white, serif font. Below it, "DECORATORS" is written in a smaller, white, sans-serif font. At the bottom, "COLLECTION®" is written in an even smaller, white, sans-serif font.

HOME  
DECORATORS  
COLLECTION®

Questions, problems, missing parts?  
Before returning to the store, call Home Decorators Collection Customer Service.  
8 a.m. – 7 p.m., EST, Monday – Friday, 9 a.m. – 6 p.m., EST, Saturday

**1-800-986-3460**

**[HOMEDEPOT.COM/HOMEDECORATORS](http://HOMEDEPOT.COM/HOMEDECORATORS)**

Retain this manual for future use.