

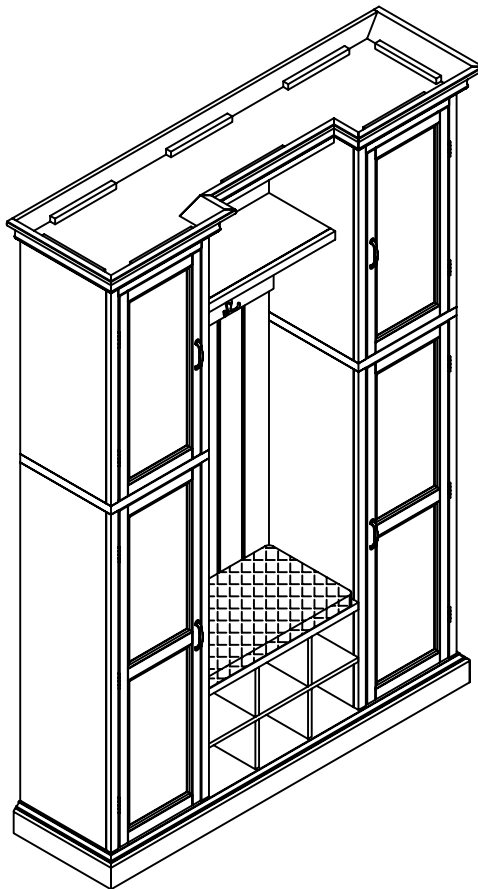
HOME DECORATORS COLLECTION

SK18905R4 ROYCE ALL IN ONE-SMALL 81.5"Hx60"Wx16.8"D

INV#74742

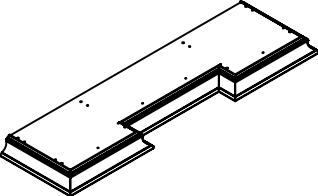
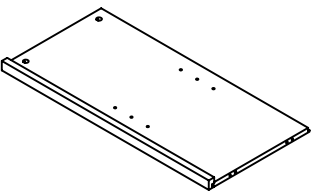
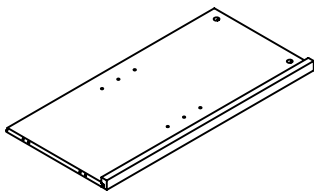
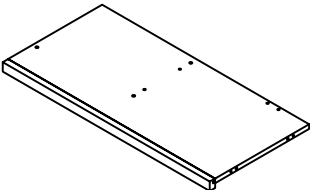
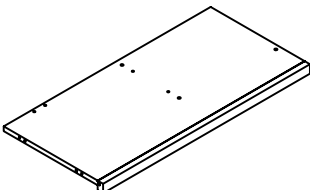
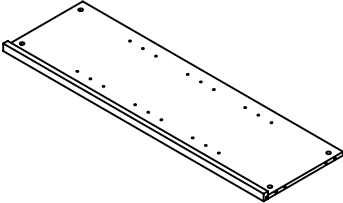
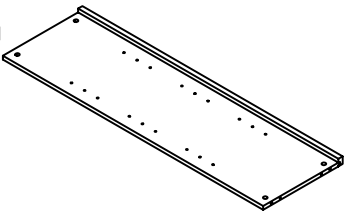
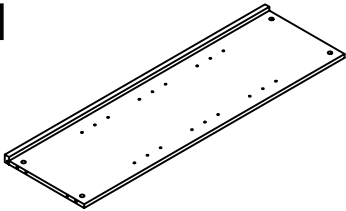
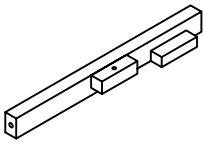
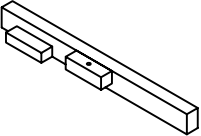
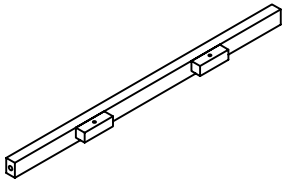
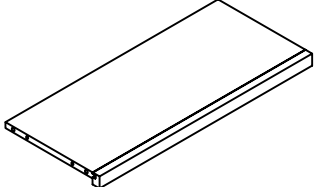
ASSEMBLY INSTRUCTIONS

Made In China

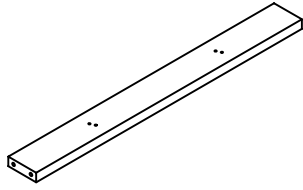


Thank you for purchasing this quality product. Be sure to check all packing material carefully for small parts, which may have come loose inside the carton during shipment. Count all parts and material hardware, then compare with parts list to be sure all parts are present. If any parts are missing or damaged, please contact our Customer Service Department for efficient and speedy service. Please indicate the model number and code letter of part(s) needed.

IMPORTANT NOTE: Follow instructions listed below in proper sequence as numbered to assure fast, easy and correct assembly.

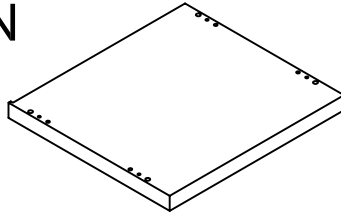
PARTS LIST		
A 	B 	C 
TOP PANEL-1PC	TOP LEFT SIDE PANEL-1PC	TOP RIGHT SIDE PANEL-1PC
D 	E 	F 
SMALL LEFT PARTITION-1PC	SMALL RIGHT PARTITION-1PC	BOTTOM SIDE PANEL-2PCS
G 	H 	I 
LARGE LEFT PARTITION-1PC	LARGE RIGHT PARTITION-1PC	RIGHT SIDE CROSS BRACE-1PC
J 	K 	L 
LEFT SIDE CROSS BRACE-1PC	MIDDLE CROSS BRACE-1PC	TOP MIDDLE FIXED PANEL-1PC

M



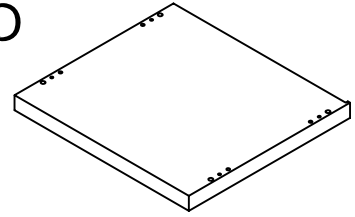
BACK CROSS BRACE-1PC

N



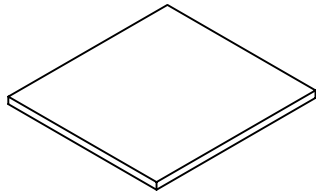
LEFT SIDE FIXED PANEL-1PC

O



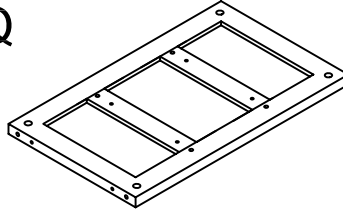
RIGHT SIDE FIXED PANEL-1PC

P



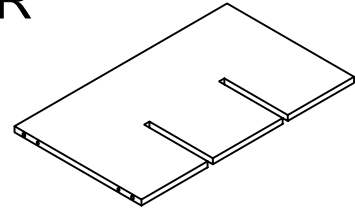
ADJUSTABLE SHELF-8PCS

Q



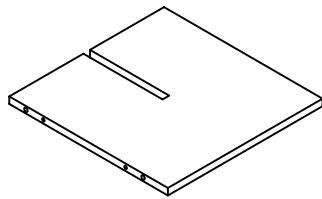
BOTTOM MIDDLE FIXED PANEL-1PC

R



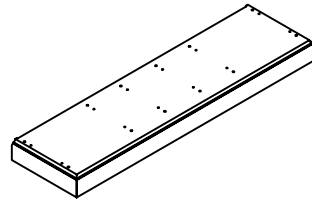
BOTTOM DIVIDER-1PC

S



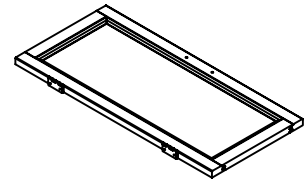
BOTTOM PARTITION-2PCS

T



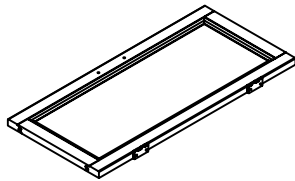
BOTTOM PANEL-1PC

U



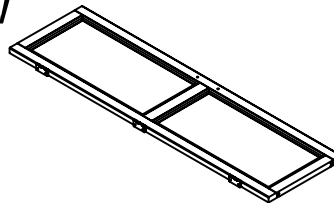
TOP LEFT SIDE DOOR-1PC

V



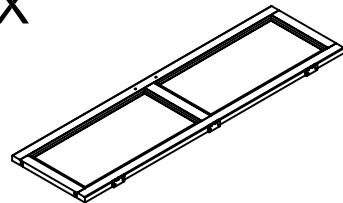
TOP RIGHT SIDE DOOR-1PC

W



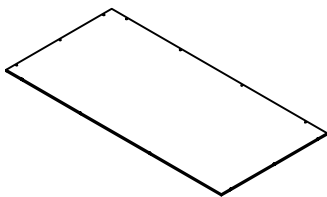
BOTTOM LEFT SIDE DOOR-1PC

X



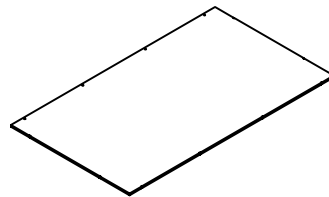
BOTTOM RIGHT SIDE DOOR-1PC

Y



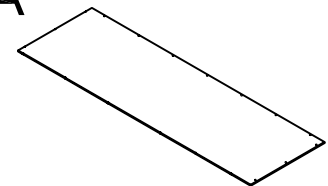
TOP SIDE BACK PANEL-2PCS

Z



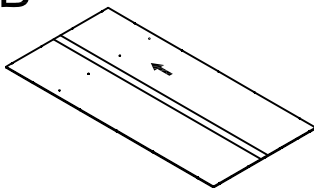
TOP MIDDLE BACK PANEL-1PC

AA



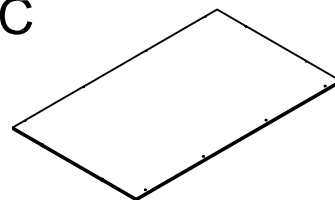
BOTTOM SIDE BACK PANEL-2PCS

BB



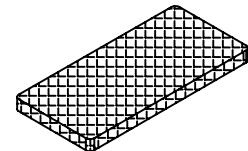
MIDDLE BACK PANEL-1PC

CC


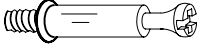


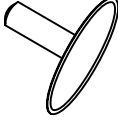
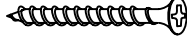
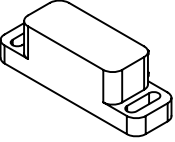


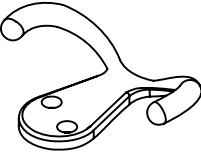
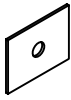







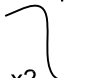
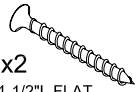


BOTTOM MIDDLE BACK PANEL-1PC

DD

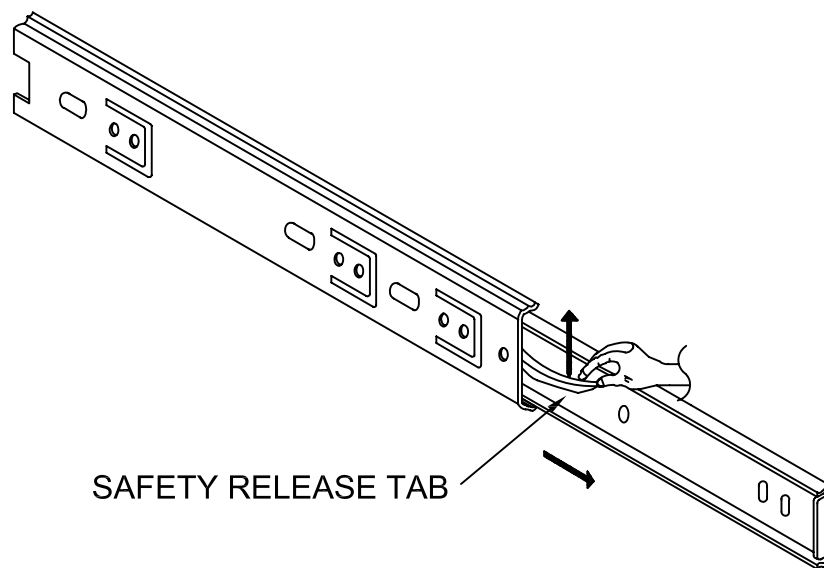


CUSHION-1PC

<p>a</p>  <p>WOOD DOWEL-62PCS</p>	<p>b</p>  <p>CAM LOCK BOLT-44PCS</p>	<p>c</p>  <p>CAM LOCK-44PCS</p>
<p>d</p>  <p>SHORT PLASTIC COVER-12PCS</p>	<p>e</p>  <p>LONG PLASTIC COVER-24PCS</p>	<p>f</p>  <p>1-1/2"L FLAT HEAD SCREW-8PCS</p>
<p>g</p>  <p>MAGNET-4PCS</p>	<p>h</p>  <p>5/8" ROUND HEAD SCREW-86PCS</p>	<p>i</p>  <p>1/2" FLAT HEAD SCREW-24PCS</p>
<p>j</p>  <p>POTHOOK-2PCS</p>	<p>k</p>  <p>METAL PLATE-32PCS</p>	<p>l</p>  <p>HANDLE-4PCS</p>
<p>m</p>  <p>HANDLE BOLT-8PCS</p>	<p>n</p>  <p>1" FLAT HEAD SCREW-4PCS</p>	<p>o</p>  <p>SHELF PIN-32PCS</p>
<div style="display: flex; justify-content: space-around; align-items: flex-start;"> <div style="text-align: center;"> <p>1</p>  <p>x4 RECTANGLE METAL PLATE</p> </div> <div style="text-align: center;"> <p>2</p>  <p>x2 1/2"L FLAT HEAD SCREW</p> </div> <div style="text-align: center;"> <p>3</p>  <p>x2 PLASTIC ANCHOR</p> </div> <div style="text-align: center;"> <p>4</p>  <p>x2 PLASTIC BAND</p> </div> <div style="text-align: center;"> <p>5</p>  <p>x2 1-1/2"L FLAT HEAD SCREW</p> </div> </div> <p style="text-align: center; margin-top: 10px;">ANTI-TIPPING HARDWARE PACKAGE</p>		

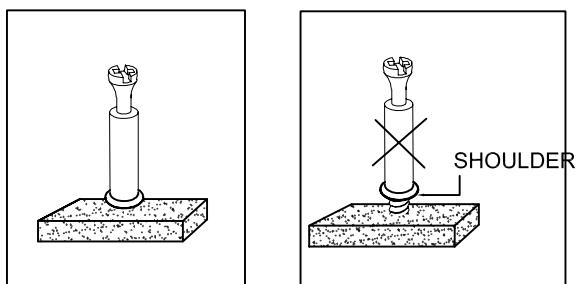
NOTE:THE SURFACE WITH THE STICKER IS THE BACK SIDE

HOW TO SEPARATE GLIDES



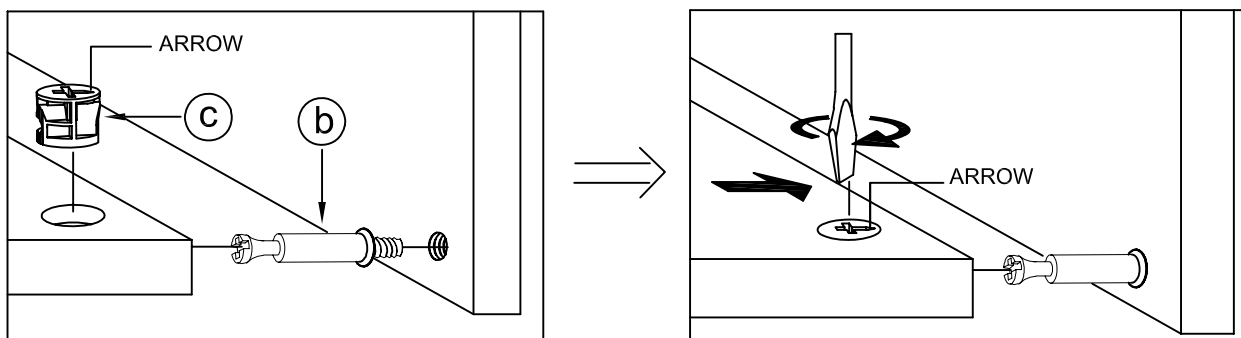
PRIOR TO ASSEMBLY, WE SUGGEST SEPARATING THE INNER GLIDES FROM THE OUTER-GLIDES, SIMPLY PULL THE LEFT/RIGHT INNER GLIDES FROM THE OUTER GLIDES EXPOSING A SMALL BLACK SAFETY RELEASE TAB, BY PUSHING THE SAFETY RELEASE TAB. YOU WILL BE ABLE TO SEPARATE THE GLIDES.

NOTE: • UPON OPENING, THOROUGHLY CLEAN ALL WOOD SURFACES TO REMOVE DUST AND DIRT THAT MAY HAVE SETTLED ONTO THE FINISH DURING SHIPMENT. IN ORDER TO PREVENT DAMAGE DURING ASSEMBLY. PLEASE ASSEMBLE THIS ITEM WITH AT LEAST TWO PEOPLE.



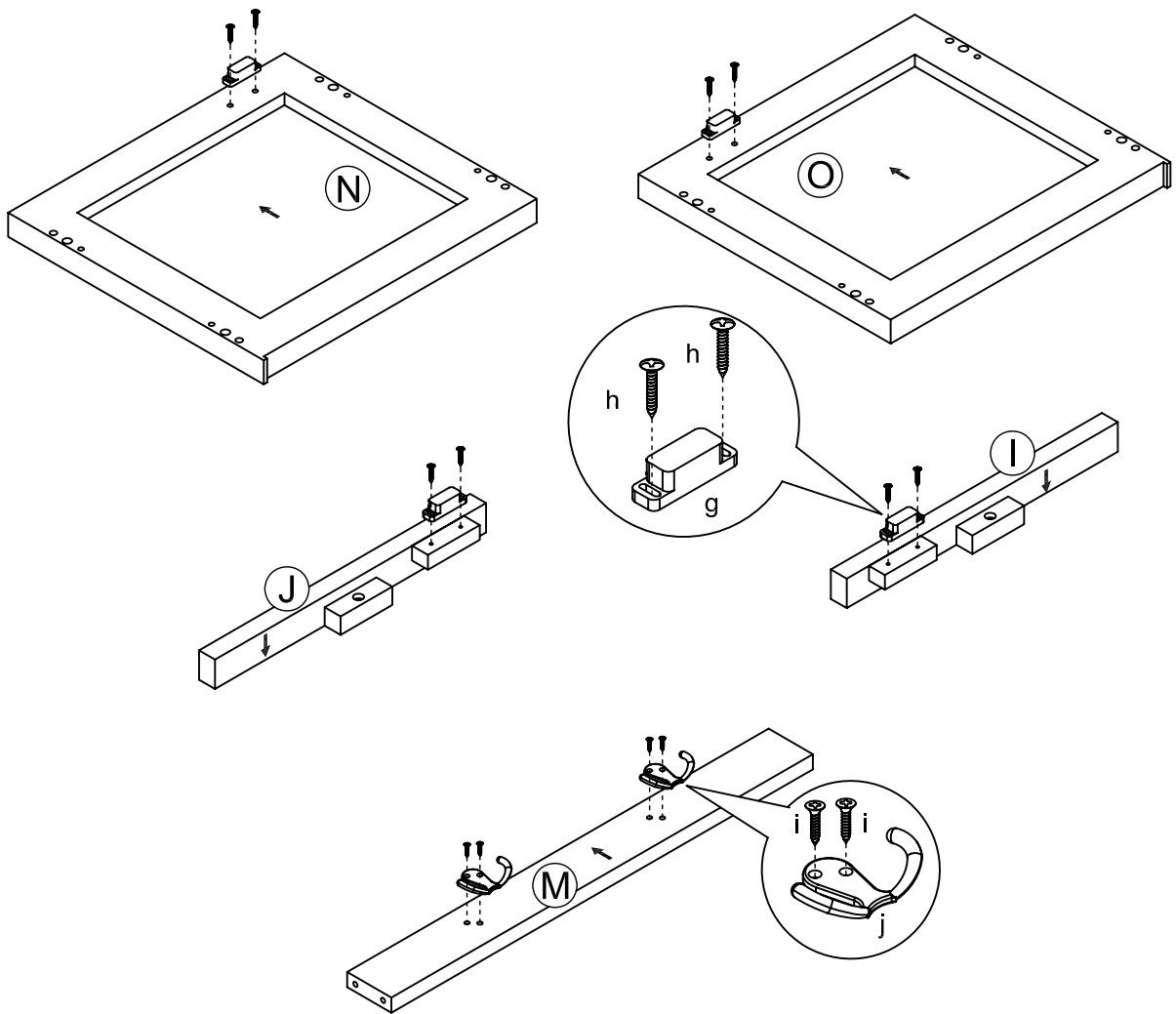
NOTE: TURN THE CAM-BOLT SCREWS UNTIL THEY ARE TIGHT, THE SHOULDER SHOULD BE AGAINST THE SURFACE OF THE PART.

HOW TO USE THE CAM-TOOL



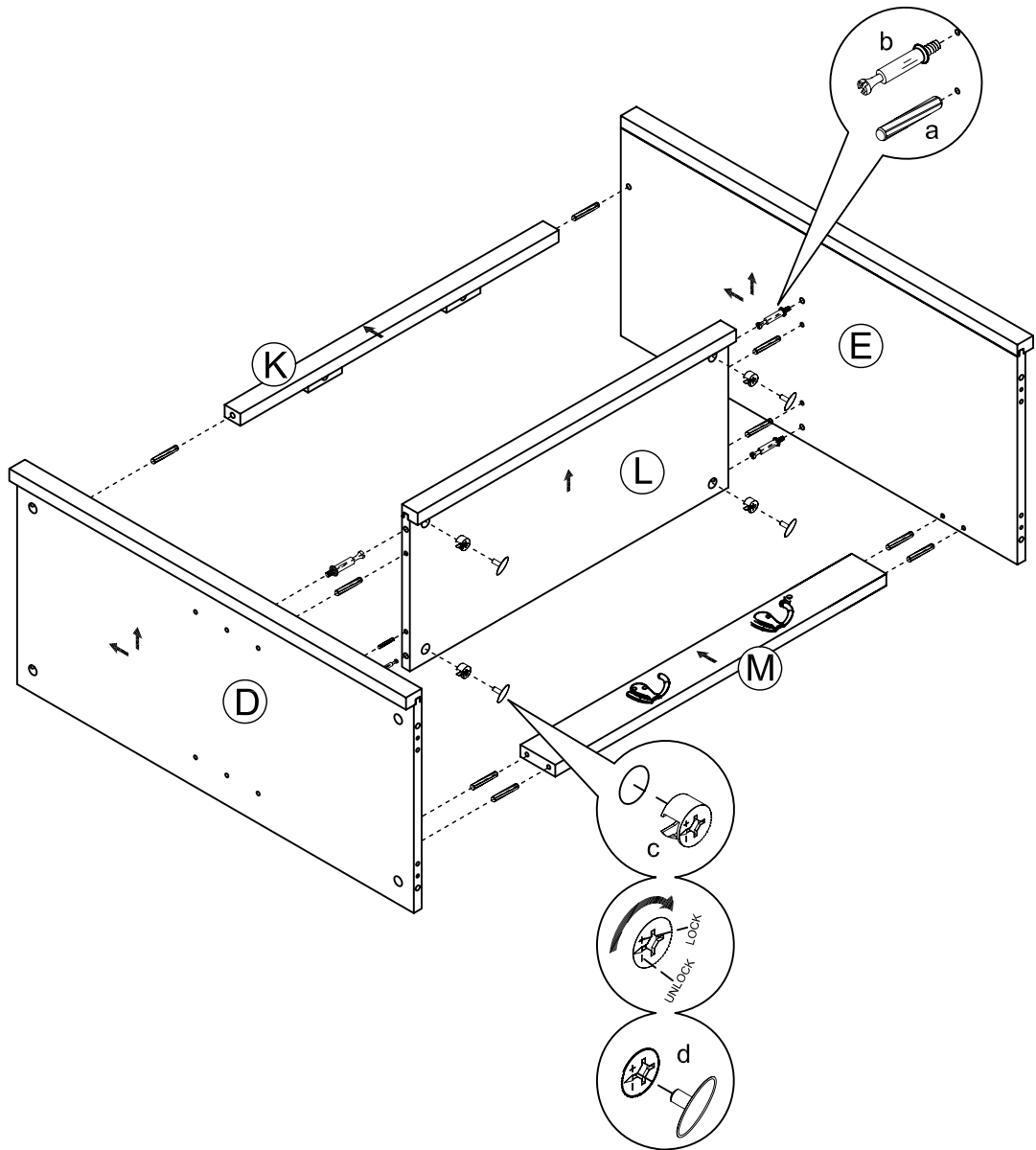
NOTE: • THE ARROWS ON THE HIDDEN CAM-LOCKS SHOULD POINT TO THE CAM-BOLTS.

FIG 1



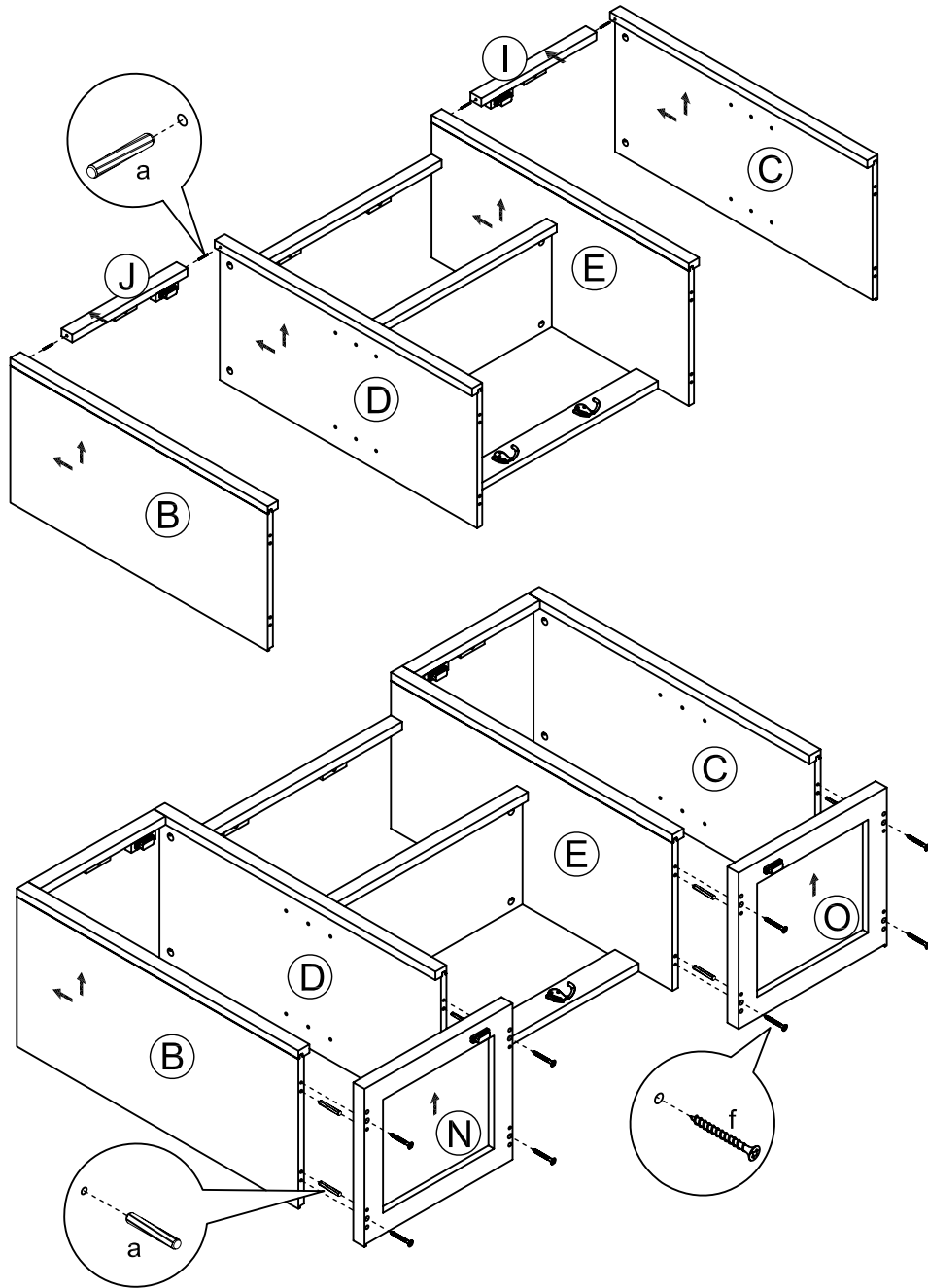
- ATTACH THE MAGNETS (g) ONTO THE LEFT SIDE FIXED PANEL (N), THE RIGHT SIDE FIXED PANEL (O), THE LEFT SIDE CROSS BRACE (J), THE RIGHT SIDE CROSS BRACE (I) BY USING 5/8" L ROUND HEAD SCREW (h) THROUGH PRE-DRILLED HOLES.
- ATTACH THE POTHOOK (j) TO THE BACK CROSS BRACE (M) BY USING THE 1/2" L FLAT HEAD SCREW (i).

FIG 2



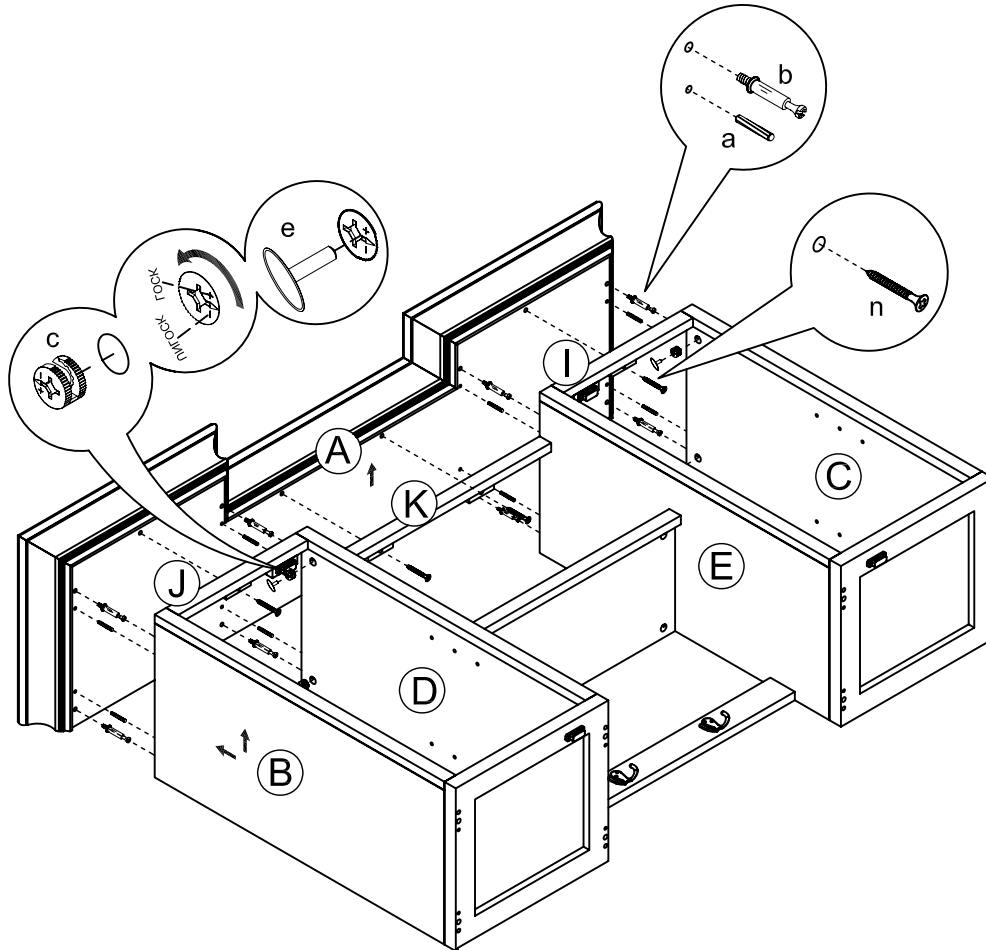
- INSTALL THE WOOD DOWEL (a) AND THE CAM LOCK BOLT (b) INTO THE SMALL LEFT PARTITION (D) AND THE SMALL RIGHT PARTITION (E) AS SHOWN.
- JOIN THE SMALL LEFT PARTITION (D) AND THE SMALL RIGHT PARTITION (E) TO THE TOP MIDDLE FIXED PANEL (L) AND THE THE MIDDLE CROSS BRACE (K) AND THE BACK CROSS BRACE (M) BY USING THE WOOD DOWEL (a) FIRST.
- TIGHTEN CAM LOCK BOLT (b) WITH THE CAM LOCK (c) IN THE PRE-DRILLED HOLES.
- COVER CAM HOLES WITH THE SHORT PLASTIC COVER (d).

FIG 3



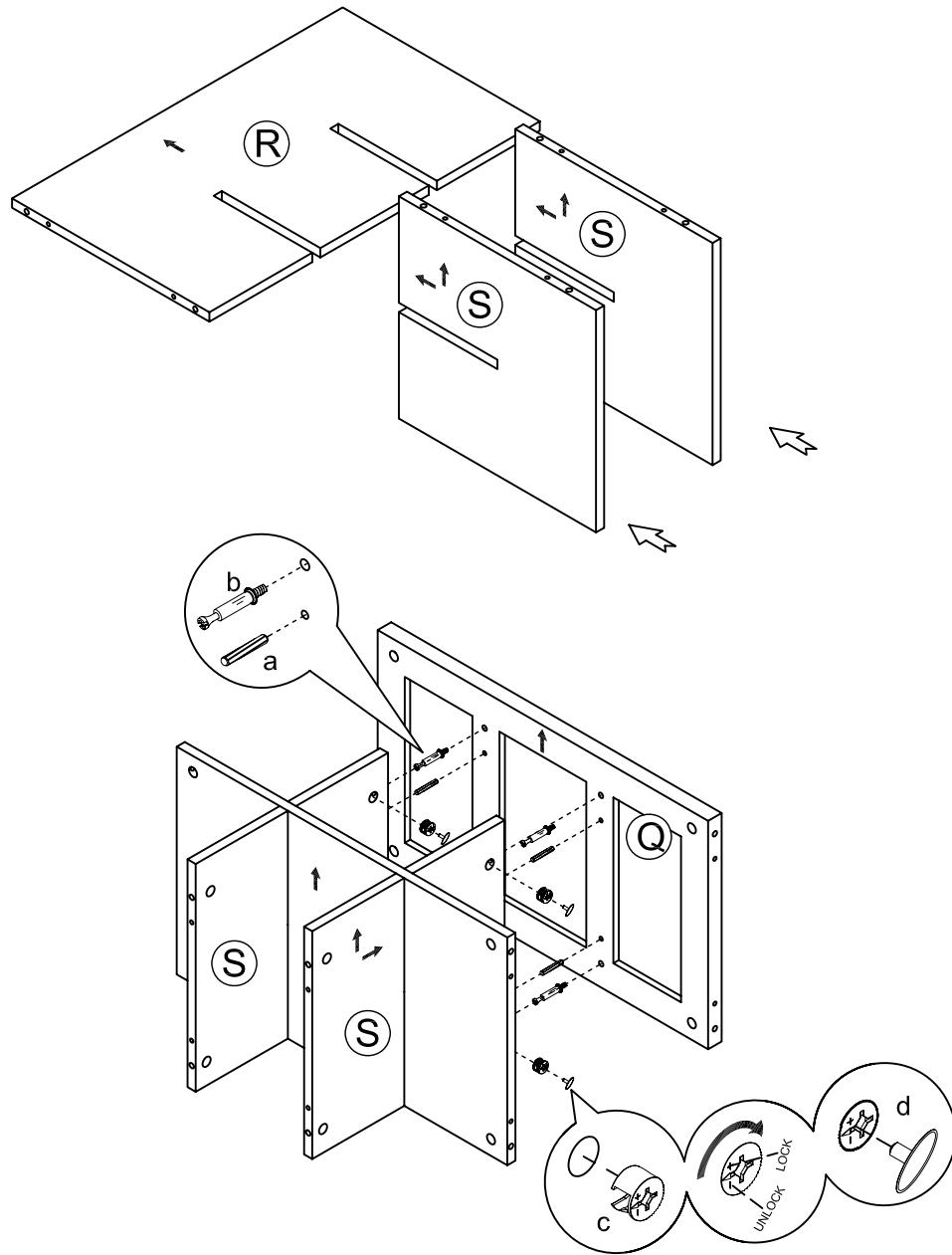
- JOIN THE TOP LEFT SIDE PANEL (B), THE LEFT SIDE CROSS BRACE (J), THE RIGHT SIDE CROSS BRACE (I) AND THE TOP RIGHT SIDE PANEL (C) TO THE ASSEMBLED PART BY USING THE WOOD DOWEL (a) AS SHOWN.
- JOIN THE LEFT SIDE FIXED PANEL (N) AND THE RIGHT SIDE FIXED PANEL (O) TO THE ASSEMBLED PART BY USING THE WOOD DOWEL (a) FIRST.
- TIGHTEN THE LEFT SIDE FIXED PANEL (N) AND THE RIGHT SIDE FIXED PANEL (O) BY USING THE 1-1/2" L FLAT HEAD SCREW (f) THROUGH THE PRE-DRILLED HOLES AS SHOWN.

FIG 4



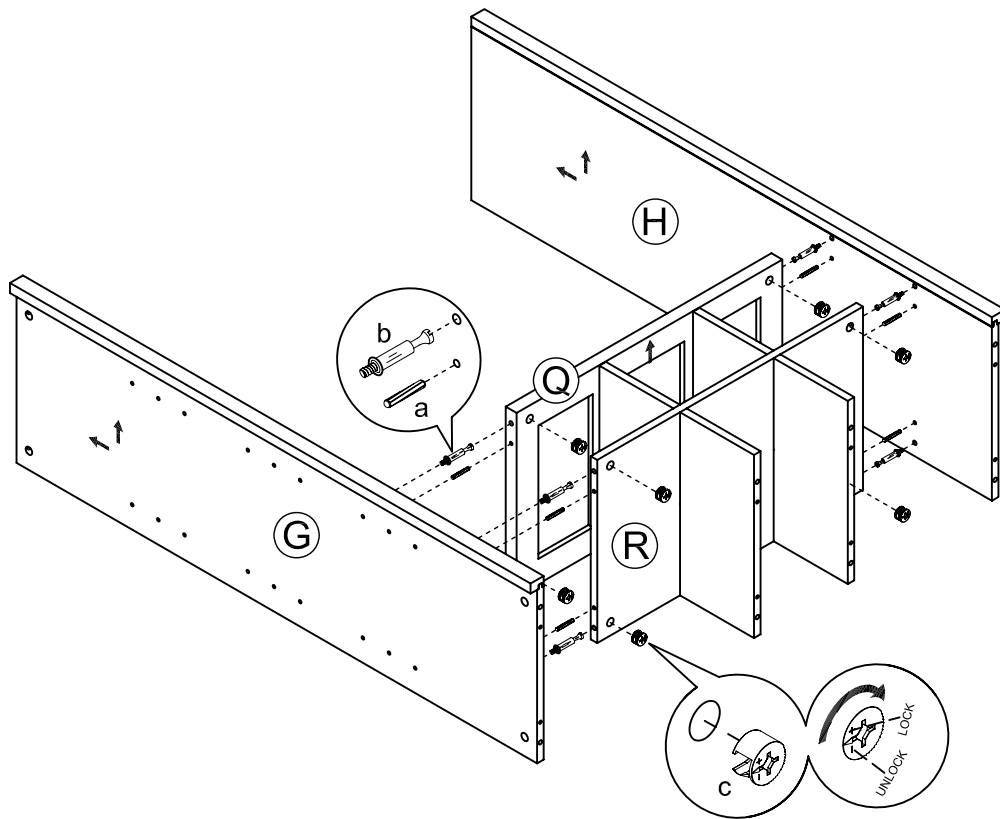
- INSTALL THE WOOD DOWEL (a) AND THE CAM LOCK BOLT (b) INTO THE BOTTOM OF THE TOP PANEL (A).
- JOIN THE TOP PANEL (A) TO THE ASSEMBLED PART BY USING THE WOOD DOWEL (a) FIRST.
- TIGHTEN CAM LOCK BOLT (b) WITH THE CAM LOCK (c) IN THE PRE-DRILLED HOLES.
- COVER CAM HOLES WITH THE LONG PLASTIC COVER (e).
- TIGHTEN THE LEFT SIDE CROSS BRACE (J), THE MIDDLE CROSS BRACE (K) AND THE RIGHT SIDE CROSS BRACE (I) BY USING THE 1" L FLAT HEAD SCREW (n) THROUGH THE PRE-DRILLED HOLES AS SHOWN.

FIG 5



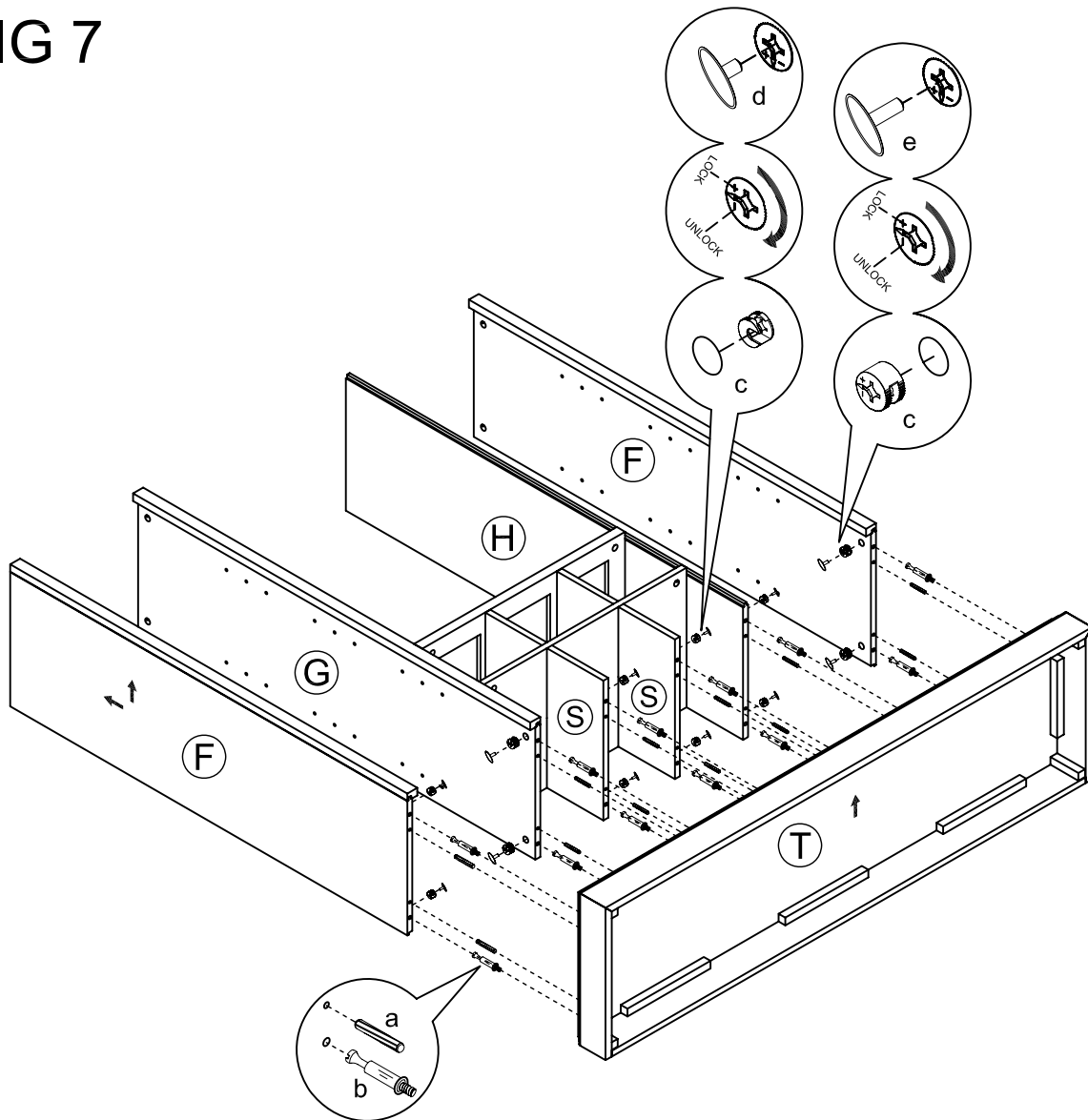
- INSERT THE BOTTOM PARTITION (S) INTO THE BOTTOM DIVIDER (R) AS SHOWN.
- INSTALL THE WOOD DOWEL (a) AND THE CAM LOCK BOLT (b) INTO THE BOTTOM OF THE BOTTOM MIDDLE FIXED PANEL (Q).
- JOIN THE MIDDLE FIXED PANEL (Q) TO THE ASSEMBLED PART BY USING THE WOOD DOWEL (a) FIRST.
- TIGHTEN CAM LOCK BOLT (b) WITH THE CAM LOCK (c) IN THE PRE-DRILLED HOLES.
- COVER CAM HOLES WITH THE SHORT PLASTIC COVER (d).

FIG 6



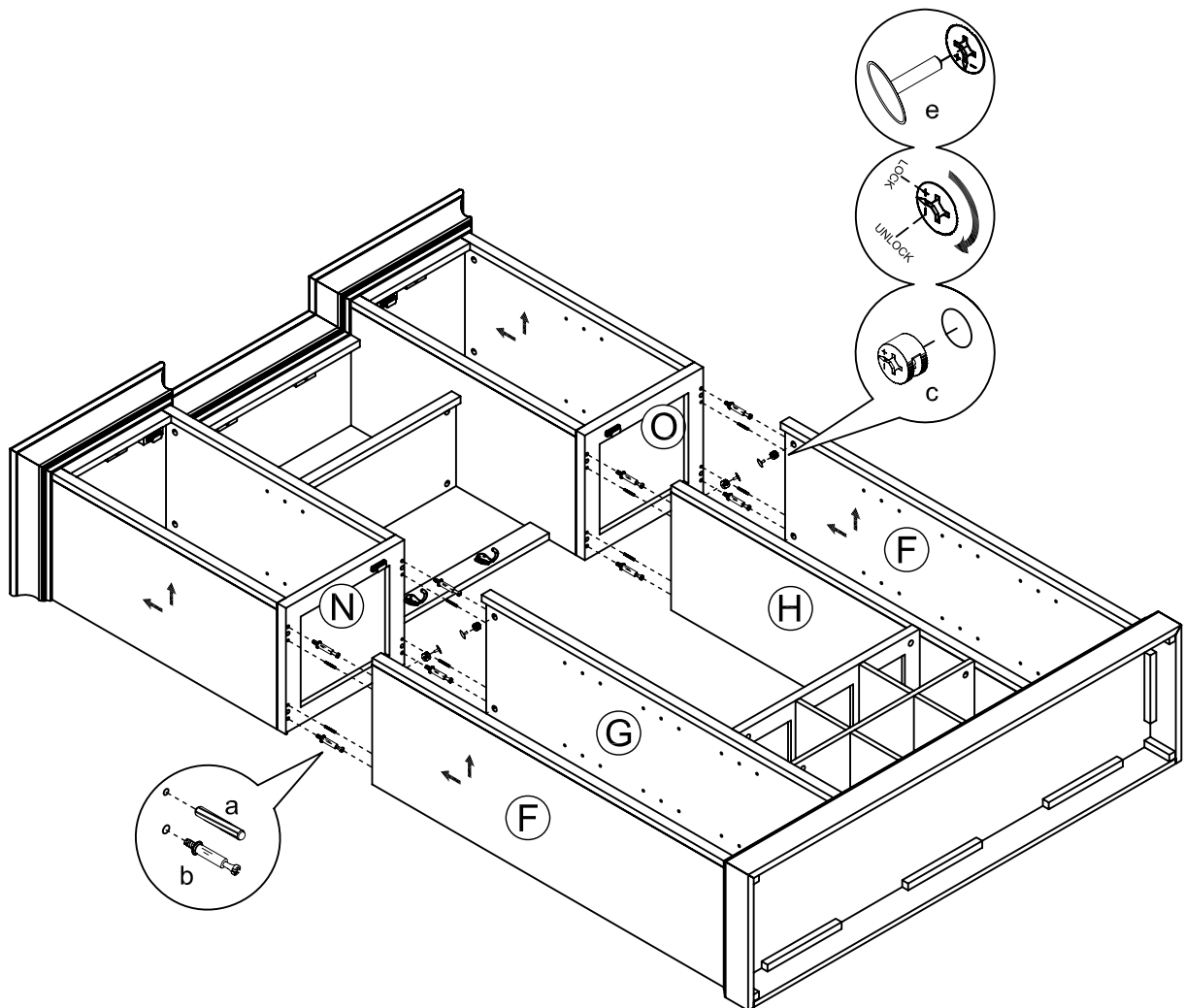
- INSTALL THE WOOD DOWEL (a) AND THE CAM LOCK BOLT (b) INTO THE LARGE LEFT PARTITION(G) AND THE LARGE RIGHT PARTITION (H).
- JOIN THE LARGE LEFT PARTITION (G) AND THE LARGE RIGHT PARTITION (H) TO THE ASSEMBLED PART BY USING THE WOOD DOWEL (a) FIRST.
- TIGHTEN CAM LOCK BOLT (b) WITH THE CAM LOCK (c) IN THE PRE-DRILLED HOLES.

FIG 7



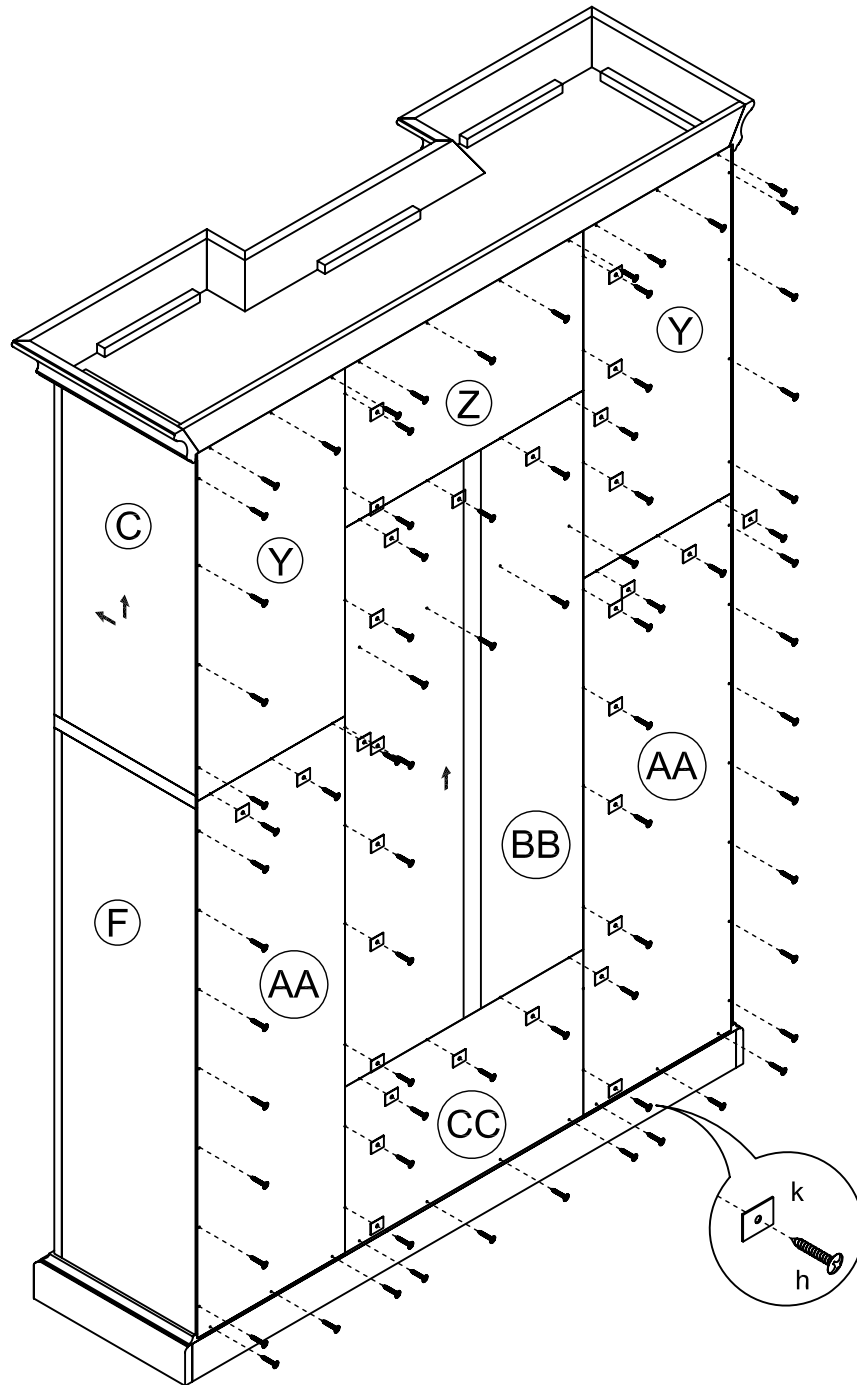
- INSTALL THE WOOD DOWEL (a) AND THE CAM LOCK BOLT (b) INTO THE TOP OF THE BOTTOM PANEL (T).
- JOIN THE BOTTOM PANEL (T) THE ASSEMBLED PART BY USING THE WOOD DOWEL (a) FIRST.
- TIGHTEN CAM LOCK BOLT (b) WITH THE CAM LOCK (c) IN THE PRE-DRILLED HOLES.
- COVER CAM HOLES WITH THE LONG PLASTIC COVER (e) AND THE SHORT PLASTIC COVER (d) AS SHOWN.

FIG 8



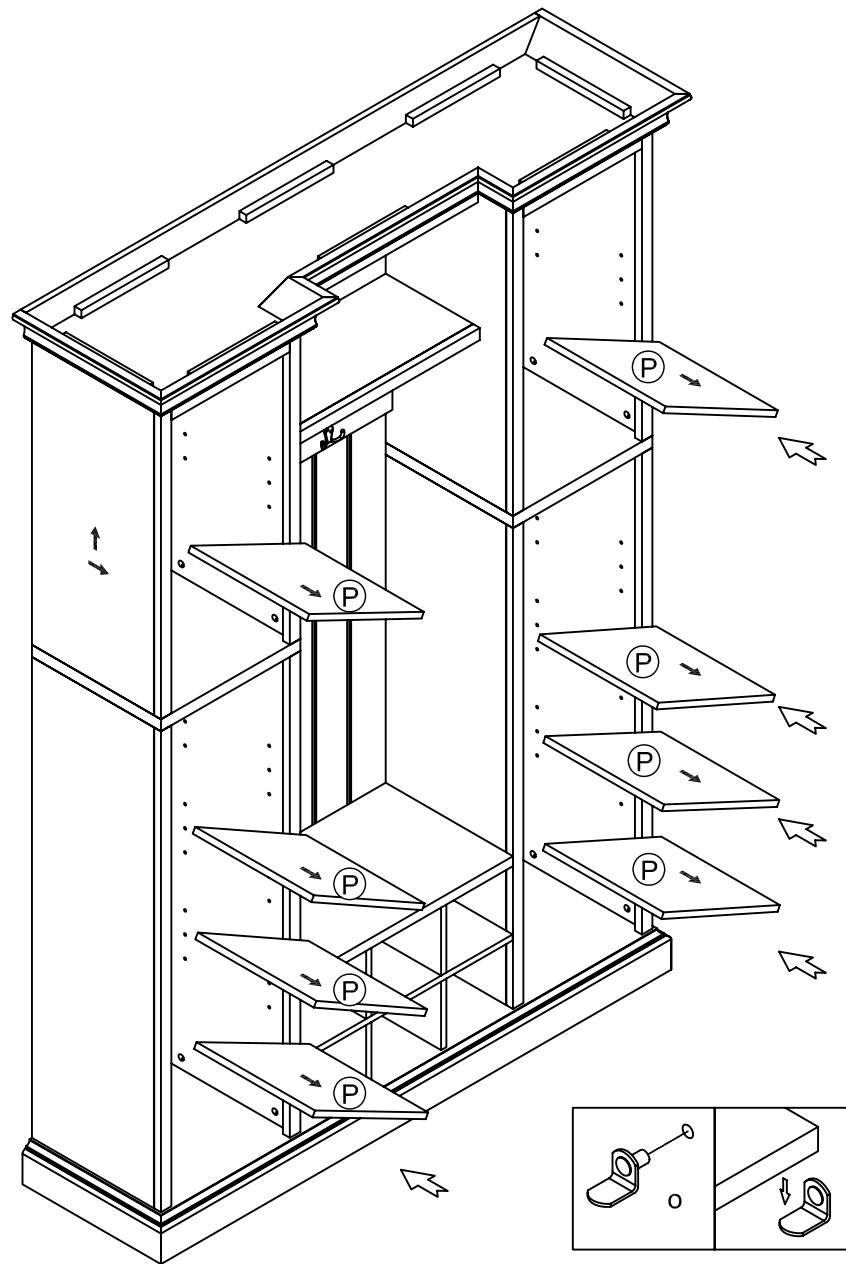
- INSTALL THE WOOD DOWEL (a) AND THE CAM LOCK BOLT (b) INTO THE BOTTOM OF THE LEFT SIDE FIXED PANEL (N) AND THE RIGHT SIDE FIXED PANEL (O).
- JOIN THE TWO ASSEMBLED PARTS BY USING THE WOOD DOWEL (a) FIRST.
- TIGHTEN CAM LOCK BOLT (b) WITH THE CAM LOCK (c) IN THE PRE-DRILLED HOLES.
- COVER CAM HOLES WITH THE LONG PLASTIC COVER (e).

FIG 9



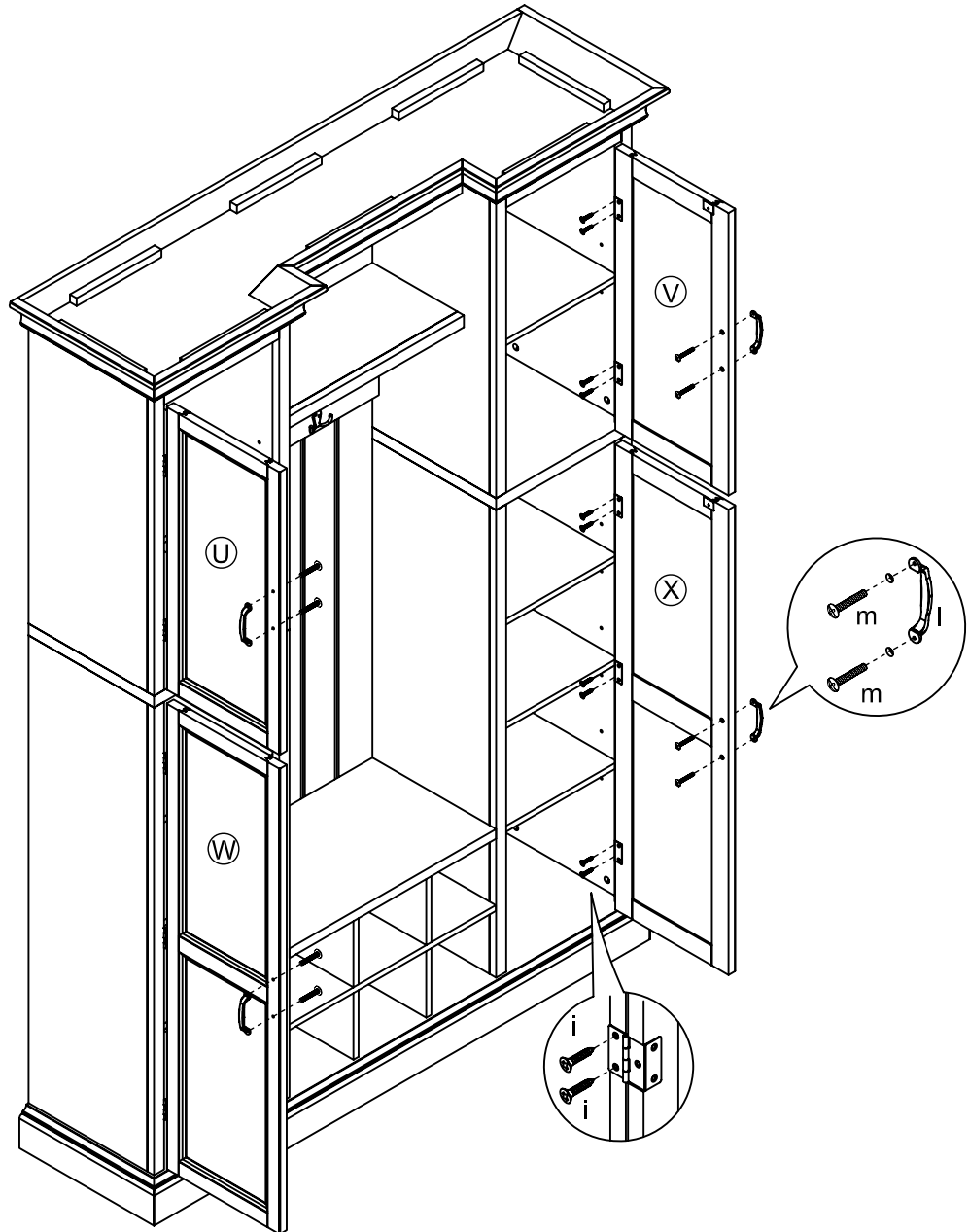
- TIGHTEN THE TOP SIDE BACK PANEL (Y), THE BOTTOM SIDE BACK PANEL (AA), THE TOP MIDDLE BACK PANEL (Z), THE MIDDLE BACK PANEL (BB) AND THE BOTTOM MIDDLE BACK PANEL (CC) BY USING THE 5/8" L ROUND HEAD SCREW (h) AND THE METAL PLATE (k) AS SHOWN.

FIG 10



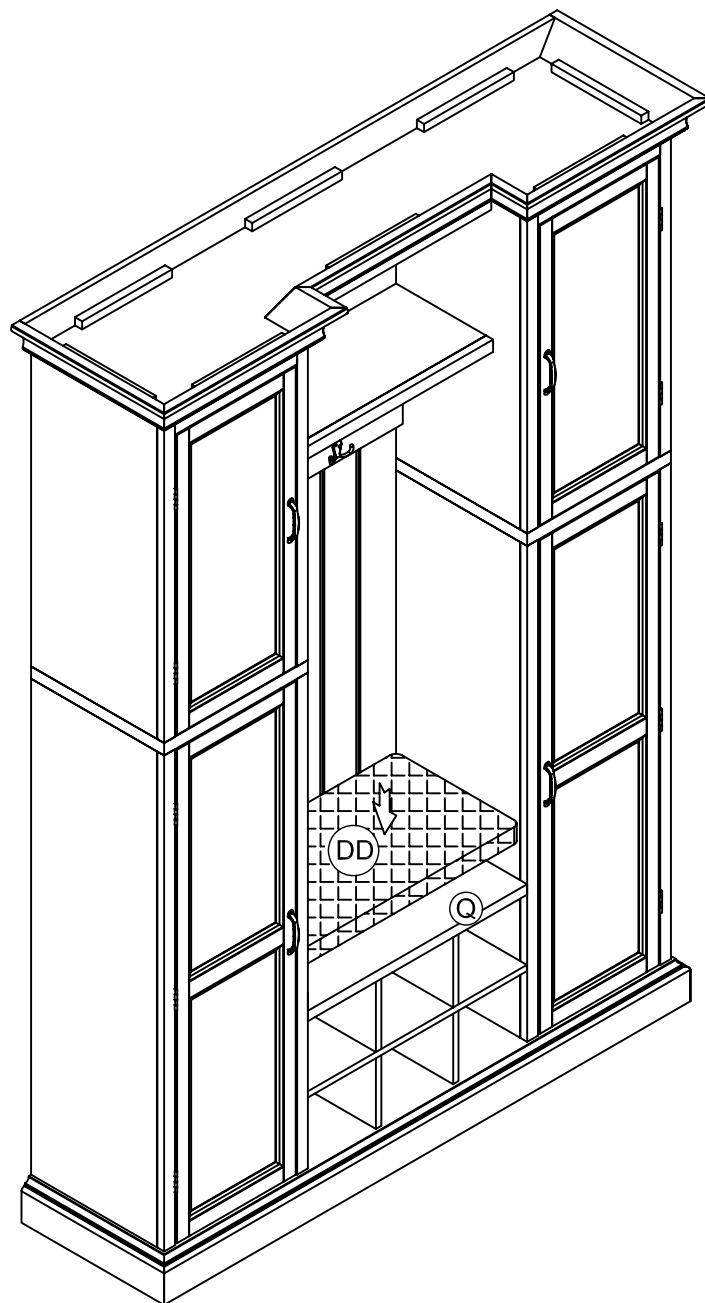
- INSERT THE SHELF PIN (o) IN THE DESIRED POSITION AND PLACE THE ADJUSTABLE SHELF (P) ON THE PINS AS SHOWN.

FIG 11



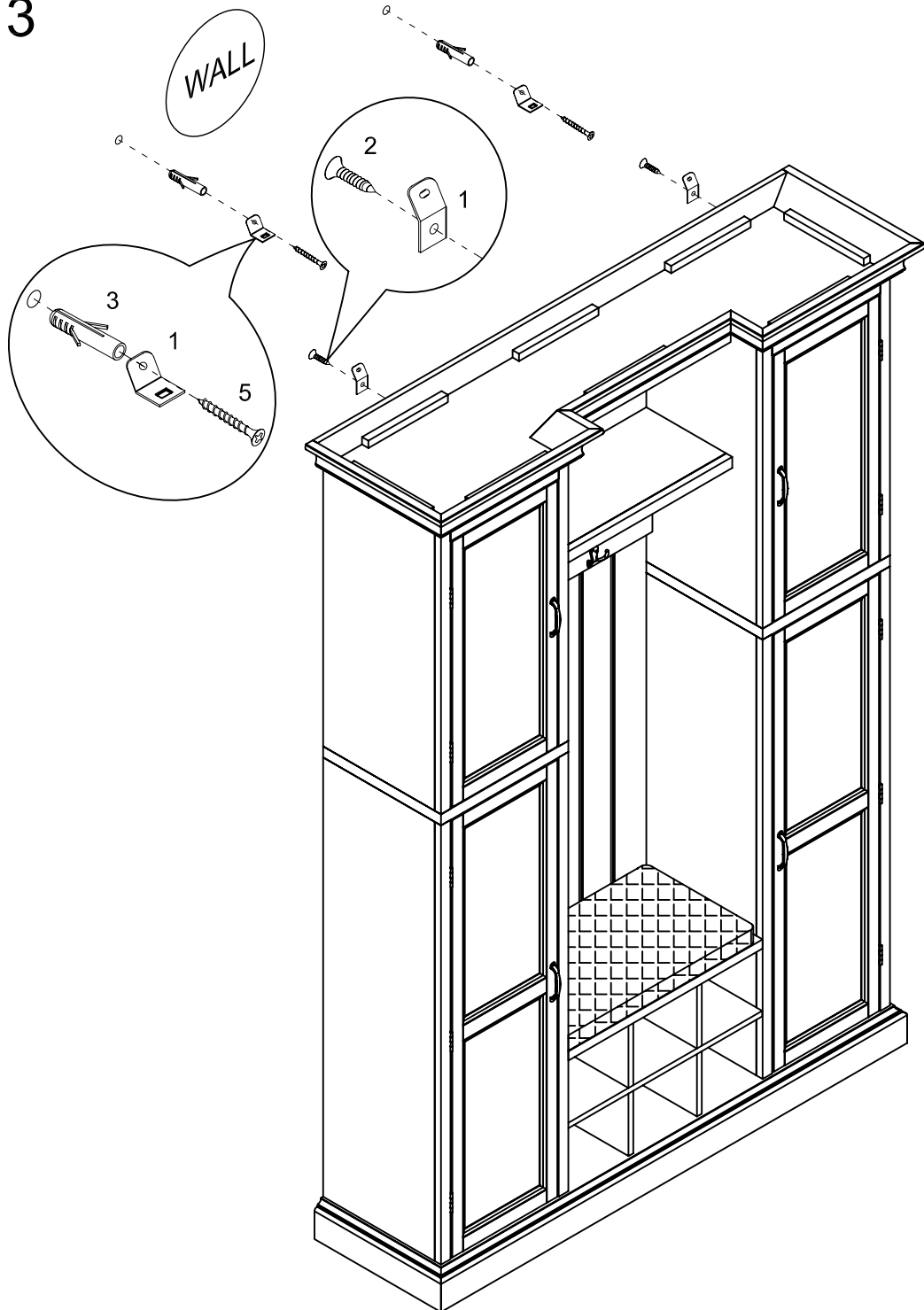
- ATTACH THE TOP LEFT SIDE DOOR (U), THE TOP RIGHT SIDE DOOR (V), THE BOTTOM LEFT SIDE DOOR (W) AND THE BOTTOM RIGHT SIDE DOOR (X) TO THE ASSEMBLED PART BY USING THE 1/2" L FLAT HEAD SCREW (i) AS SHOWN.
- TIGHTEN THE HANDLE (l) ONTO THE DOORS BY USING THE HANDLE BOLT (m) AS SHOWN.

FIG 12



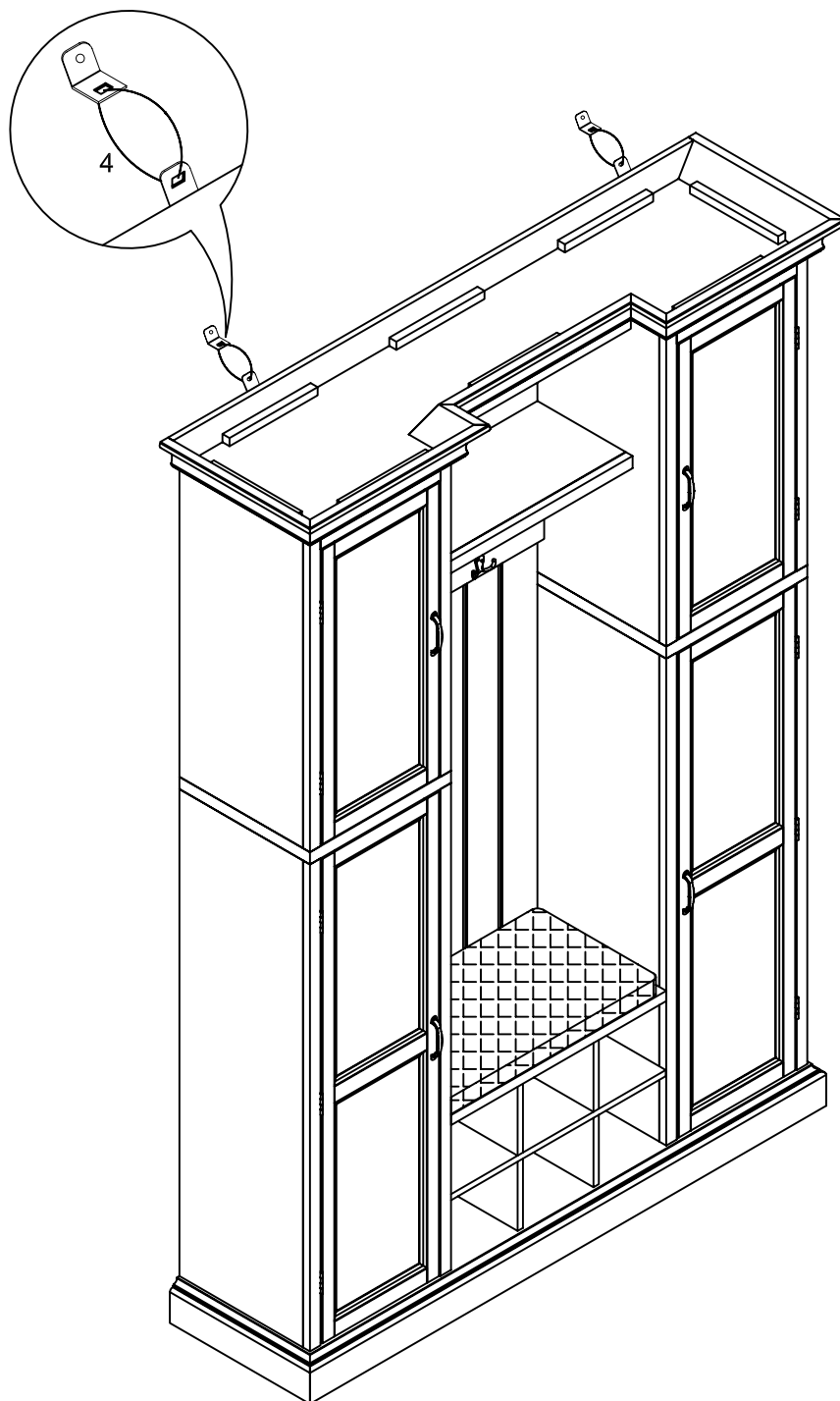
- PLACE THE CUSHION (DD) ABOVE THE BOTTOM MIDDLE FIXED PANEL (Q).

FIG 13



- TIGHTEN THE RECTANGLE METAL PLATE (1) TO THE REAR OF THE TOP PANEL (A) BY USING 1/2" FLAT HEAD SCREW (2).
- PLACE THE ASSEMBLED ROYCE ALL IN ONE-SMALL AT THE DESIRED POSITION. MARK THE INSERTION POINTS FOR THE PLASTIC ANCHOR (3).
- USING THE PROPER HARDWARE FOR YOUR WALL TYPE, DRILL 1/4" HOLES INTO THE WALL.
- TIGHTEN THE RECTANGLE METAL PLATE (1) TO THE PLASTIC ANCHOR (3) BY USING THE 1-1/2" FLAT HEAD SCREW (5).

FIG 14



- USING THE PLASTIC BAND (4) CONNECT TWO RECTANGLE METAL PLATES (1).