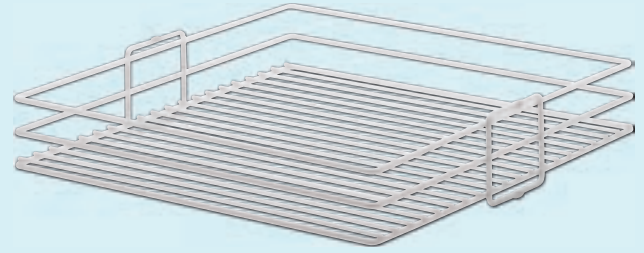




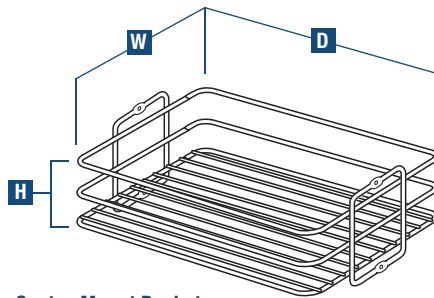
P5450CM-W



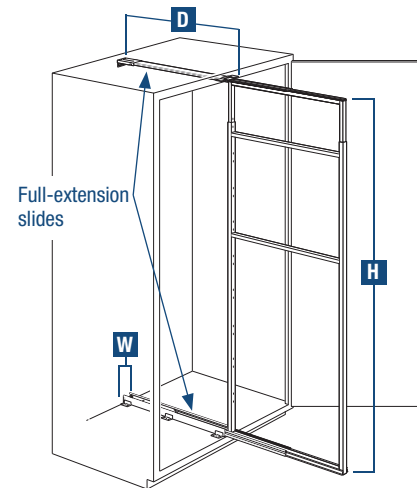
Center-Mount Basket
(BP20CM-W shown)

Center-Mount Pantry Roll-Out & Baskets

- Variety of height ranges available
- Center-Mount Baskets (sold separately) mount with four screws (included) to the center of Pantry Roll-Out
- Basket height can be varied in 3-3/4" increments
- Mounted to KV precision ball bearing slides



Center-Mount Basket
(BP10CM-W shown)



Center-Mount Pantry Roll-Out
(P5450CM-W shown)

| Stock # | Individual Product Dimensions | | | Finish | Units per Carton | Weight per Carton |
|-------------------------------------|-------------------------------|-------------------------------|-------------------|--------|------------------|---------------------|
| | W Width | H Height | D Depth | | | |
| CENTER-MOUNT PANTRY ROLL-OUT | | | | | | |
| P1875CM-W | 3-13/16" [97 mm] | 18-3/4-22-1/2" [476-572 mm] | 22-1/4" [565 mm] | White | 1 | 12.1 lbs. [5.5 kg.] |
| P2500CM-W | 3-13/16" [97 mm] | 22-1/2-26" [572-660 mm] | 22-1/4" [565 mm] | White | 1 | 13.7 lbs. [6.2 kg.] |
| P4250CM-W | 3-13/16" [97 mm] | 42-1/2-49-3/8" [1080-1254 mm] | 22-1/4" [565 mm] | White | 1 | 18.8 lbs. [8.5 kg.] |
| P4650CM-W | 3-13/16" [97 mm] | 46-1/2-53-3/8" [1181-1356 mm] | 22-1/4" [565 mm] | White | 1 | 19.3 lbs. [8.8 kg.] |
| P5450CM-W | 3-13/16" [97 mm] | 54-1/2-61-3/8" [1384-1559 mm] | 22-1/4" [565 mm] | White | 1 | 20.4 lbs. [9.3 kg.] |
| CENTER-MOUNT BASKETS | | | | | | |
| BP5CM-W | 5" [127 mm] | 4-1/8" [105 mm] | 20-7/16" [519 mm] | White | 2 | 6.8 lbs. [3.1 kg.] |
| BP8CM-W | 8" [203 mm] | 4-1/8" [105 mm] | 20-7/16" [519 mm] | White | 2 | 8.4 lbs. [3.8 kg.] |
| BP11CM-W | 11" [279 mm] | 4-1/8" [105 mm] | 20-7/16" [519 mm] | White | 2 | 9.6 lbs. [4.4 kg.] |
| BP14CM-W | 14" [356 mm] | 4-1/8" [105 mm] | 20-7/16" [519 mm] | White | 2 | 11.4 lbs. [5.2 kg.] |
| BP17CM-W | 17" [432 mm] | 4-1/8" [105 mm] | 20-7/16" [519 mm] | White | 2 | 12.8 lbs. [5.8 kg.] |
| BP20CM-W | 20" [508 mm] | 4-1/8" [105 mm] | 20-7/16" [519 mm] | White | 2 | 14.3 lbs. [6.5 kg.] |

Sliding assembly width is same as widest basket width.

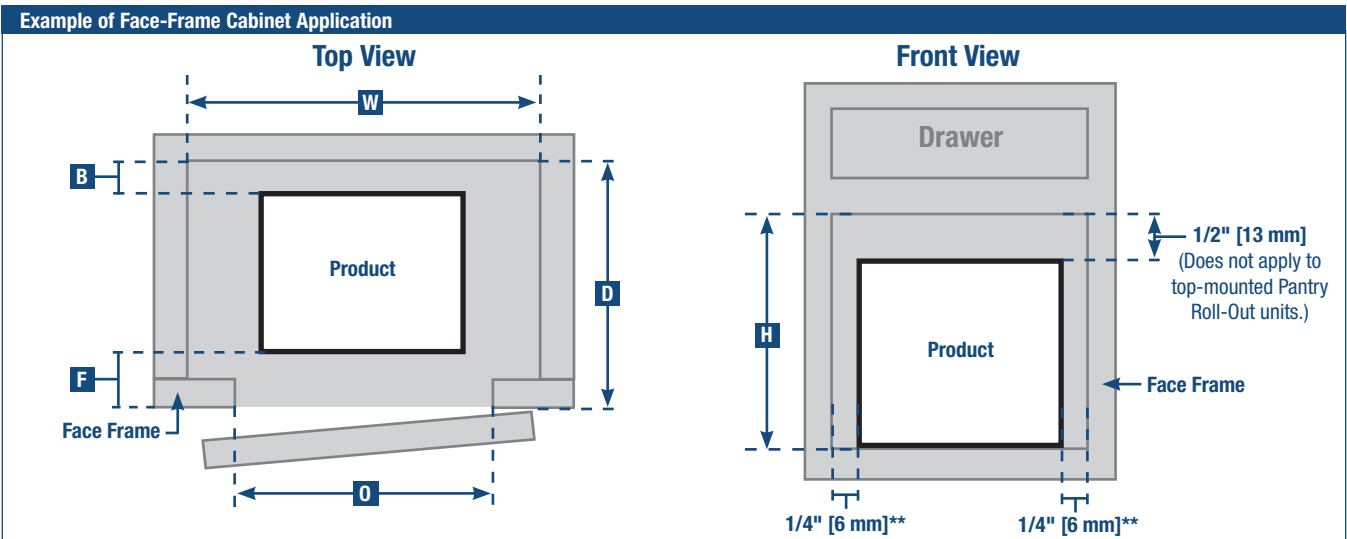


Tel. 800.253.1561
Fax 877.636.3290
www.kv.com

See page 62 - 63 for recommended cabinet dimensions and clearances.

Cabinet Dimensions

| Stock # | Min. Cabinet Opening | Minimum Interior Cabinet Dimensions | | | Minimum Cabinet Clearances | |
|-------------------------------------|----------------------|-------------------------------------|--------------------|-------------------|----------------------------|-------------|
| | O Width | W Width | H Height | D Depth | F Front | B Back |
| WIRE | | | | | | |
| Center-Mount Pantry Roll-Out | | | | | | |
| P4250CM-W | * | * | 42-1/2" [1080 mm] | 22-1/4" [565 mm] | - | - |
| P4650CM-W | * | * | 46-1/2" [1080 mm] | 22-1/4" [565 mm] | - | - |
| P5450CM-W | * | * | 54-1/2" [1384 mm] | 22-1/4" [565 mm] | - | - |
| P1875CM-W | * | * | 18-3/4" [476 mm] | 22-1/4" [565 mm] | - | - |
| P2500CM-W | * | * | 22-1/2" [572 mm] | 22-1/4" [565 mm] | - | - |
| Side-Mount Pantry Roll-Out | | | | | | |
| P4250FE-W | * | * | 42-1/2" [1080 mm] | 22-1/4" [565 mm] | - | - |
| P4650FE-W | * | * | 46-1/2" [1181 mm] | 22-1/4" [565 mm] | - | - |
| P5050FE-W | * | * | 50-1/2" [1283 mm] | 22-1/4" [565 mm] | - | - |
| P5450FE-W | * | * | 54-1/2" [1384 mm] | 22-1/4" [565 mm] | - | - |
| P6500FE-W | * | * | 65" [1651 mm] | 22-1/4" [565 mm] | - | - |
| P4250FE-FN | * | * | 42-1/2" [1080 mm] | 22-1/4" [565 mm] | - | - |
| P4650FE-FN | * | * | 46-1/2" [1181 mm] | 22-1/4" [565 mm] | - | - |
| P5450FE-FN | * | * | 54-1/2" [1384 mm] | 22-1/4" [565 mm] | - | - |
| Vegetable Bin Assembly | | | | | | |
| VBA11-3-FN | 11" [279 mm] | 11-1/2" [292 mm] | 20-1/4" [514 mm] | 21-3/4" [552 mm] | 1/4" [6 mm] | 1/4" [6 mm] |
| VBA11-3-W | 11" [279 mm] | 11-1/2" [292 mm] | 20-1/4" [514 mm] | 21-3/4" [552 mm] | 1/4" [6 mm] | 1/4" [6 mm] |
| VBA14-3-W | 14" [356 mm] | 14-1/2" [368 mm] | 20-1/4" [514 mm] | 21-3/4" [552 mm] | 1/4" [6 mm] | 1/4" [6 mm] |
| Base Cabinet Organizer | | | | | | |
| BC020E-W | * | * | 21-11/16" [551 mm] | 22-3/16" [564 mm] | 1/4" [6 mm] | 1/4" [6 mm] |
| BC02456-W | * | * | 25-1/2" [648 mm] | 22-1/2" [572 mm] | 1/4" [6 mm] | 1/4" [6 mm] |
| BC02456DM-W | * | * | 25-1/2" [648 mm] | 22-1/2" [572 mm] | 1/4" [6 mm] | 1/4" [6 mm] |
| Base Roll-Out | | | | | | |
| B1700-W | * | * | 19-3/4" [502 mm] | 22-3/16" [564 mm] | 1/4" [6 mm] | 1/4" [6 mm] |
| Multi-Use Baskets | | | | | | |
| GUSB11-FN | 12" [305 mm] | 12-5/8" [321 mm] | 15-15/16" [405 mm] | 19-1/4" [489 mm] | 1/4" [6 mm] | 1/4" [6 mm] |
| GUSB14-FN | 15" [381 mm] | 15-5/8" [397 mm] | 15-15/16" [405 mm] | 19-1/4" [489 mm] | 1/4" [6 mm] | 1/4" [6 mm] |
| USB11-W | 12" [305 mm] | 12-5/8" [321 mm] | 16" [406 mm] | 19-1/4" [489 mm] | 1/4" [6 mm] | 1/4" [6 mm] |
| USB14-W | 15" [381 mm] | 15-5/8" [397 mm] | 16" [406 mm] | 19-1/4" [489 mm] | 1/4" [6 mm] | 1/4" [6 mm] |
| USB11TM-W | 12" [305 mm] | 12-5/8" [321 mm] | 9-13/16" [249 mm] | 19-5/8" [498 mm] | 1/4" [6 mm] | 1/4" [6 mm] |
| USB14TM-W | 15" [381 mm] | 15-5/8" [397 mm] | 9-13/16" [249 mm] | 19-5/8" [498 mm] | 1/4" [6 mm] | 1/4" [6 mm] |
| MU11-W | 12" [305 mm] | 12-5/8" [321 mm] | 5-11/16" [144 mm] | 19-1/4" [489 mm] | 1/4" [6 mm] | 1/4" [6 mm] |
| MU14-W | 15" [381 mm] | 15-5/8" [397 mm] | 5-11/16" [144 mm] | 19-1/4" [489 mm] | 1/4" [6 mm] | 1/4" [6 mm] |
| Tray Divider Roll-Outs | | | | | | |
| TDR06-W | 6" [152 mm] | 6-1/2" [165 mm] | 20" [508 mm] | 22-1/2" [572 mm] | 1/4" [6 mm] | 1/4" [6 mm] |
| TDR09-W | 9" [229 mm] | 9-1/2" [241 mm] | 20" [508 mm] | 22-1/2" [572 mm] | 1/4" [6 mm] | 1/4" [6 mm] |



** Slide-out Base Blind Corner Units and Base Cabinet Organizers require 1/2" side clearance on one side, not both.

* Minimum Cabinet Opening Width AND Minimum Cabinet Interior Width equals total width of completely assembled unit with all baskets applied, plus 1/2" clearance per side (1" total clearance for center-mounted units, 1/2" side clearance for side-mounted units).

Dimensions shown are recommended minimum cabinet dimensions and clearances.

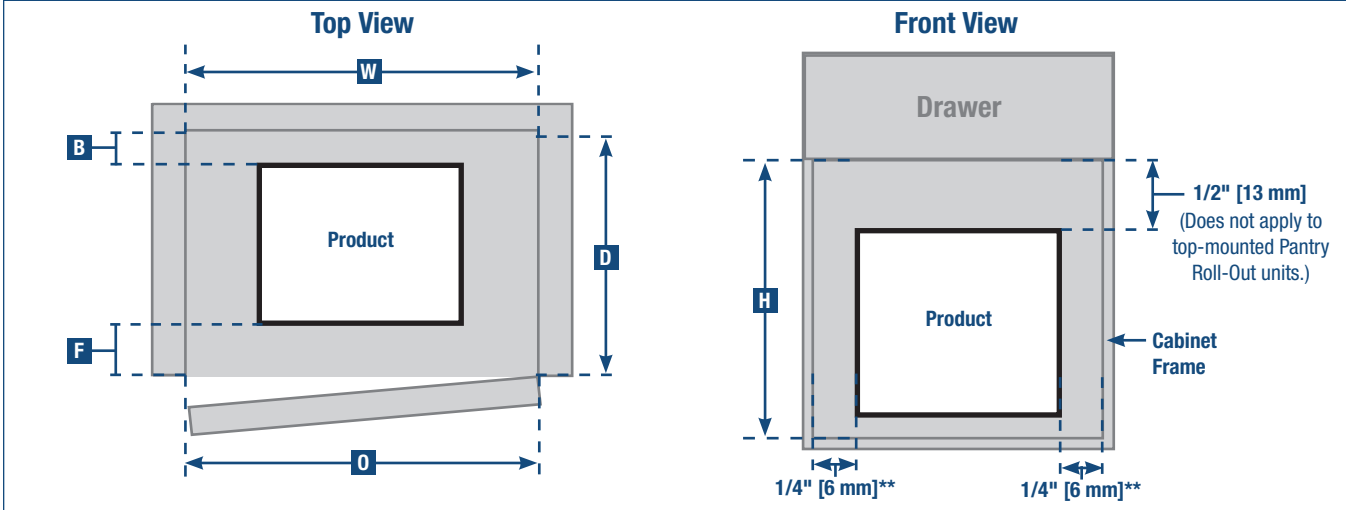
Tel. 800.253.1561
Fax 877.636.3290
www.kv.com



Cabinet Dimensions

| Stock # | Min. Cabinet Opening | | Minimum Interior Cabinet Dimensions | | | Minimum Cabinet Clearances | | | | | | |
|---|--------------------------------|------------------------------------|-------------------------------------|----------|--------------|----------------------------|--|----------|--------------|--------|--------------|---------|
| | O | Width | W | H | D | F | B | | | | | |
| WOOD & WIRE | | | | | | | | | | | | |
| Slide-Out Base Blind Corner Units | | | | | | | | | | | | |
| BBCS-L-15-FN | 15" | [381 mm] | 26-11/16" | [678 mm] | 20-1/4" | [514 mm] | 22-11/16" | [576 mm] | 1/4" | [6 mm] | 1/4" | [6 mm] |
| BBCT-L-15-FN | 15" | [381 mm] | 26-11/16" | [678 mm] | 27-1/4" | [692 mm] | 22-11/16" | [576 mm] | 1/4" | [6 mm] | 1/4" | [6 mm] |
| BBCS-R-15-FN | 15" | [381 mm] | 26-11/16" | [678 mm] | 20-1/4" | [514 mm] | 22-11/16" | [576 mm] | 1/4" | [6 mm] | 1/4" | [6 mm] |
| BBCT-R-15-FN | 15" | [381 mm] | 26-11/16" | [678 mm] | 27-1/4" | [692 mm] | 22-11/16" | [576 mm] | 1/4" | [6 mm] | 1/4" | [6 mm] |
| Center-Mount Pantry Roll-Outs | | | | | | | | | | | | |
| P1875CM-FN | * | * | | | 18-3/4" | [476 mm] | 22-1/4" | [565 mm] | - | | - | |
| P2500CM-FN | * | * | | | 22-1/2" | [572 mm] | 22-1/4" | [565 mm] | - | | - | |
| P4250CM-FN | * | * | | | 42-1/2" | [1080 mm] | 22-1/4" | [565 mm] | - | | - | |
| P4650CM-FN | * | * | | | 46-1/2" | [1181 mm] | 22-1/4" | [565 mm] | - | | - | |
| P5450CM-FN | * | * | | | 54-1/2" | [1384 mm] | 22-1/4" | [565 mm] | - | | - | |
| Pot & Pan Pantry Organizer | | | | | | | | | | | | |
| PAN1700TM-FN | 18" | [457 mm] | 18" | [457 mm] | 24" | [610 mm] | 24" | [610 mm] | - | | 1/2" | [13 mm] |
| Pot & Pan Caddy | | | | | | | | | | | | |
| SPS21-FN | 20" | [508 mm] | 20" | [508 mm] | 14-3/4" | [375 mm] | 22-3/4" | [578 mm] | 1/4" | [6 mm] | 1/4" | [6 mm] |
| Wood & Wire Tray Divider Roll-Outs | | | | | | | | | | | | |
| TDRO-FNW-6 | 6" | [152 mm] | 6-7/16" | [164 mm] | 14-1/2" | [368 mm] | 22-3/4" | [578 mm] | 1/4" | [6 mm] | 1/4" | [6 mm] |
| TDRO-FNW-9 | 9" | [229 mm] | 9-3/16" | [233 mm] | 14-1/2" | [368 mm] | 22-3/4" | [578 mm] | 1/4" | [6 mm] | 1/4" | [6 mm] |
| SPECIALTY | | | | | | | | | | | | |
| Appliance Lift (see page 59 for additional clearances) | | | | | | | | | | | | |
| HAL-20 | Platform Width + 1" [25 mm] | Platform Width + 2-1/2" [64 mm] | | | 25" [634 mm] | | Maximum of 14-1/2" [368 mm] OR platform depth | | 1/2" [13 mm] | | 1/2" [13 mm] | |
| Hampers | | | | | | | | | | | | |
| PSH15-160-W | 15" | [381 mm] | 15-5/8" | [397 mm] | 21-9/16" | [548 mm] | 19-5/8" | [498 mm] | 1/4" | [6 mm] | 1/4" | [6 mm] |
| PDMSH15-1-60-W | 15" | [381 mm] | 15-5/8" | [397 mm] | 21-9/16" | [548 mm] | 19-5/8" | [498 mm] | 1/4" | [6 mm] | 1/4" | [6 mm] |
| H1215-W | 12" | [305 mm] | 12-5/8" | [321 mm] | 15-1/8" | [384 mm] | 19-1/4" | [489 mm] | 1/4" | [6 mm] | 1/4" | [6 mm] |
| H1218-W | 12" | [305 mm] | 12-5/8" | [321 mm] | 19-3/8" | [492 mm] | 19-1/4" | [489 mm] | 1/4" | [6 mm] | 1/4" | [6 mm] |
| H1515-W | 15" | [381 mm] | 15-5/8" | [397 mm] | 15-1/8" | [384 mm] | 19-1/4" | [489 mm] | 1/4" | [6 mm] | 1/4" | [6 mm] |
| H1518-W | 15" | [381 mm] | 15-5/8" | [397 mm] | 19-3/8" | [492 mm] | 19-1/4" | [489 mm] | 1/4" | [6 mm] | 1/4" | [6 mm] |
| MH1215-W | 12" | [305 mm] | 12-5/8" | [321 mm] | 15-1/8" | [384 mm] | 16-1/2" | [419 mm] | 1/4" | [6 mm] | 1/4" | [6 mm] |
| TO1710-1-W | 11" | [279 mm] | 11" | [279 mm] | 18-1/4" | [464 mm] | 19-5/16" | [491 mm] | 1/4" | [6 mm] | 1/4" | [6 mm] |
| TO1710-W | 11" | [279 mm] | 11" | [279 mm] | 18-1/4" | [464 mm] | 19-5/16" | [491 mm] | 1/4" | [6 mm] | 1/4" | [6 mm] |
| TO1713-1-W | 14" | [356 mm] | 14" | [356 mm] | 18-1/4" | [464 mm] | 19-5/16" | [491 mm] | 1/4" | [6 mm] | 1/4" | [6 mm] |
| TO1713-W | 14" | [356 mm] | 14" | [356 mm] | 18-1/4" | [464 mm] | 19-5/16" | [491 mm] | 1/4" | [6 mm] | 1/4" | [6 mm] |
| TO1716-1-W | 17" | [432 mm] | 17" | [432 mm] | 18-1/4" | [464 mm] | 19-5/16" | [491 mm] | 1/4" | [6 mm] | 1/4" | [6 mm] |
| TO1716-W | 17" | [432 mm] | 17" | [432 mm] | 18-1/4" | [464 mm] | 19-5/16" | [491 mm] | 1/4" | [6 mm] | 1/4" | [6 mm] |
| Slide-Out Towel Bar | | | | | | | | | | | | |
| P79 3 ANO | 5-5/16" | [135 mm] | 5-5/16" | [135 mm] | 1-13/16" | [46 mm] | 18-1/4" | [464 mm] | 1/4" | [6 mm] | 1/4" | [6 mm] |
| TB-3P-W | 7-1/4" | [184 mm] | 7-1/4" | [184 mm] | 4-1/16" | [103 mm] | 19-1/2" | [495 mm] | 1/4" | [6 mm] | 1/4" | [6 mm] |

Example of Frameless / Euro-Style Cabinet Application



** Slide-out Base Blind Corner Units and Base Cabinet Organizers require 1/2" side clearance on one side, not both.



Tel. 800.253.1561
Fax 877.636.3290
www.kv.com

* Minimum Cabinet Opening Width AND Minimum Cabinet Interior Width equals total width of completely assembled unit with all baskets applied, plus 1/2" clearance per side (1" total clearance for center-mounted units, 1/2" side clearance for side-mounted units).

Dimensions shown are recommended minimum cabinet dimensions and clearances.