

TOASTER OVEN HORNO TOSTADOR

Customer Care Line:

USA/Canada
1-800-231-9786

Mexico
01-714-2500

Accessories/Parts
(USA / Canada)

Accesorios/Partes
(EE.UU / Canadá)

1-800-738-0245

For **online customer service**
and to **register** your product, go to
www.prodprotect.com/applica



MODEL/MODELO

○ TR0420

IMPORTANT SAFEGUARDS

When using electrical appliances, basic safety precautions should always be followed, including the following:

- Read all instructions.
- Do not touch hot surfaces. Use handles or knobs.
- To protect against electrical shock do not immerse cord, plugs or appliance in water or other liquid.
- Close supervision is necessary when any appliance is used by or near children.
- Unplug from outlet when not in use and before cleaning. Allow to cool before putting on or taking off parts.
- Do not operate any appliance with a damaged cord or plug, or after the appliance malfunctions or has been damaged in any manner. Return appliance to the nearest authorized service facility for examination, repair or adjustment. Or, call the appropriate toll-free number on the cover of this manual.
- The use of accessory attachments not recommended by the appliance manufacturer may cause injuries.
- Do not use outdoors.
- Do not let cord hang over edge of table or counter, or touch hot surfaces.
- Do not place on or near a hot gas or electric burner, or in a heated oven.
- Extreme caution must be used when moving an appliance containing hot oil or other hot liquids.
- Always attach plug to appliance first, then plug cord into the wall outlet. To disconnect, turn any control to OFF, then remove plug from wall outlet.
- Do not use appliance for other than intended use.
- Use extreme caution when removing tray or disposing of hot grease.
- Do not clean with metal scouring pads. Pieces can break off the pad and touch electrical parts, creating a risk of electric shock.
- Oversized foods or metal utensils must not be inserted in a toaster oven, as they may create a fire or risk of electric shock.
- A fire may occur if the toaster oven is covered or touching flammable material including curtains, draperies, walls and the like, when in operation.

- Extreme caution should be exercised when using containers constructed of other than metal or glass.
- Do not store any material, other than manufacturer's recommended accessories, in this oven when not in use.
- Do not place any of the following materials in the oven: paper, cardboard, plastic, and the like.
- Do not cover crumb tray or any part of this oven with metal foil. This will cause overheating of the oven.

SAVE THESE INSTRUCTIONS.

This product is for household use only.

GROUNDING PLUG

As a safety feature, this product is equipped with a grounded plug, which will only fit into a three-prong outlet. Do not attempt to defeat this safety feature. Improper connection of the grounding conductor may result in the risk of electric shock. Consult a qualified electrician if you are in doubt as to whether the outlet is properly grounded.

TAMPER-RESISTANT SCREW

Warning: This appliance is equipped with a tamper-resistant screw to prevent removal of the outer cover. To reduce the risk of fire or electric shock, do not attempt to remove the outer cover. There are no user-serviceable parts inside. Repair should be done only by authorized service personnel.

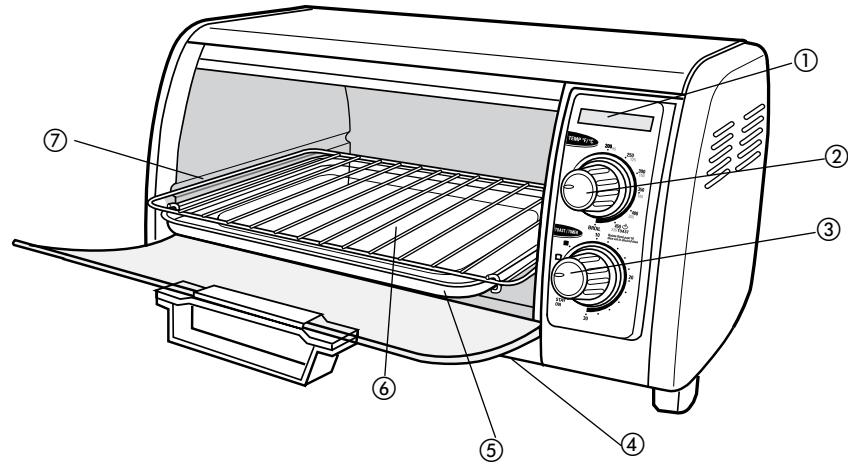
ELECTRICAL CORD

- a) A short power-supply cord is to be provided to reduce the risk resulting from becoming entangled in or tripping over a longer cord.
- b) Longer extension cords are available and may be used if care is exercised in their use.
- c) If an extension cord is used,
 - 1) The marked electrical rating of the cord set or extension cord should be at least as great as the electrical rating of the appliance, and
 - 2) The cord should be arranged so that it will not drape over the countertop or tabletop where it can be pulled on by children or tripped over unintentionally.

If the appliance is of the grounded type, the extension cord should be a grounding-type 3-wire cord.

Note: If the power supply cord is damaged, it should be replaced by qualified personnel; in Latin America, by an authorized service center.

Product may vary slightly from what is illustrated.

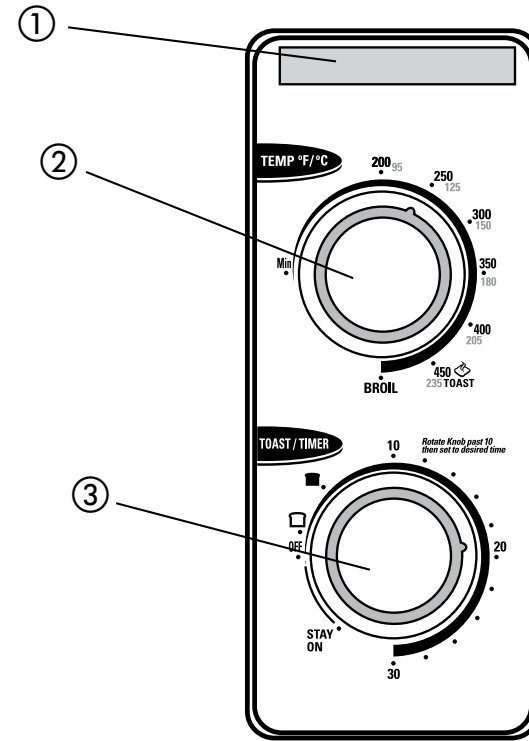


A

- 1. Power on indicator light
- † 2. Temperature selector (Part #TR0420-01E)
- † 3. TOAST/TIMER selector with Stay On setting (Part #TR0420-02E)
- 4. Swing-down crumb tray (under unit)
- † 5. Bake pan/drip tray (Part #TR0420-03E)
- † 6. Slide rack (Part #TR0420-04E)
- 7. Rack support rails

Note: † indicates consumer replaceable/removable parts

CONTROL PANEL




B

Important:
When using the TIMER/TOAST function, always turn the dial past 10 and then turn back or forward to desired setting.

- 1. Power on indicator light
- 2. Temperature selector
- 3. TOAST/TIMER selector with Stay On setting

How to Use

This product is for household use only.

	<h2>CAUTION</h2>
	<p>THIS OVEN GETS HOT. WHEN IN USE, ALWAYS USE OVEN MITTS OR POT HOLDERS WHEN TOUCHING ANY OUTER OR INNER SURFACE OF THE OVEN.</p>

GETTING STARTED

- Remove packing materials and any stickers.
- Remove the slide rack/broil rack and bake pan/drip tray from oven.
- Wash in sudsy water, rinse and dry with a cloth or paper towel.
- Replace slide rack/broil rack in oven.
- Select a location for the unit. Do not place unit under cabinets or too close to the wall to allow heat to flow without damaging counter space.
- Plug unit into electrical outlet.
- Please go to www.prodprotect.com/applica to register your warranty.

TOAST FUNCTION

Important: The oven top and side surfaces get hot.

It is not necessary to preheat the oven for toasting.

1. Set temperature selector to TOAST position.
2. Open oven door.
3. Insert slide rack.
4. Place the toast directly on the slide rack and close the door.
5. Turn toast shade selector past 10 and then turn back to desired toast shade. For best results, select the medium setting for your first cycle, then adjust lighter or darker to suit your taste. The On indicator light comes on and stays on during the toasting cycle. When toasting is done, the signal bell sounds, the oven automatically shuts off and the On indicator light goes off.
6. Open oven door and using oven mitt or pot holder, slide out rack to remove toast.

Useful Tips:

- You must turn Off the toast shade selector if you want to discontinue toasting.
- When making more toast immediately after one toasting cycle, set the toast shade selector to a slightly lighter setting.
- For best results, when making consecutive batches of toast, allow a short cool down period between toasting cycles.

BAKE FUNCTION

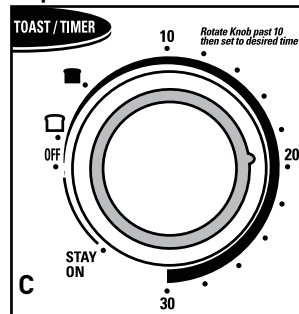
Important: The oven top and side surfaces get hot.

1. Consult the Baking Guide (page 6) for the type of food you want to cook.

Note: For best results, when baking or cooking, always preheat the oven for at least 8 minutes at the desired temperature setting.

2. Turn the temperature selector to the desired temperature setting.

Important: You must set the timer or select Stay On for the oven to function.



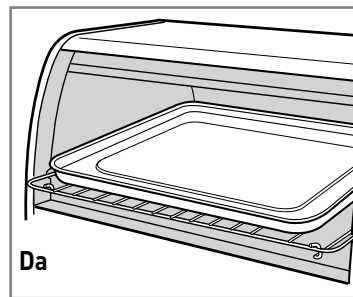
3. Set the timer to desired number of minutes including preheat time or to Stay On (C).

Important: When using the TIMER/TOAST function, always turn the dial past 10 and then turn back or forward to desired setting.

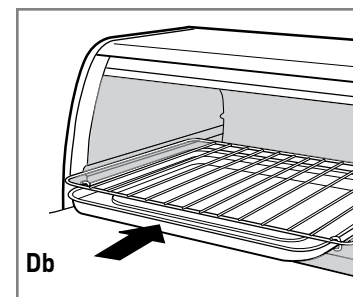
Tip: Set the timer to the Stay On setting, if you want to control cooking time or need to cook your food longer than 30 minutes.

- The power indicator light comes on and stays on during cooking cycle.

- The heating elements cycle on and off to maintain the temperature.
4. You can cook your food two ways:
 - In the bake pan placed on the slide rack (Da), OR
 - Directly on the slide rack with the bake pan inserted on the rack support rails underneath the slide rack (Db) to catch drippings.



OR



Note: Be sure the top edge of the food or container is at least 1/2" (3.81 cm) away from the upper heating elements.

5. Close oven door.
6. Cook food according to recipe or package instructions and check at minimum time to see if it is done.
7. Once cooking cycle is finished, the signal bell sounds. Turn the TOAST/TIMER selector to the Off position. The On indicator light goes off.
8. Open oven door and using oven mitt or pot holder, slide out rack to remove food.

BAKING GUIDE

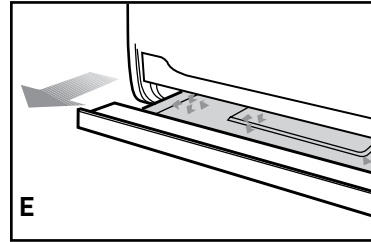
FOOD	AMOUNT	TEMPERATURE/TIME	PROCEDURE
Chicken pieces	To fit bake pan (1- 4 pieces)	375 °F (191 °C) 40-55 minutes.	Bake until chicken registers 180 °F (82 °C) on meat thermometer.
Ham, lamb or pork chops, Fish fillet or steak	To fit bake pan (1-4 chops or steaks)	325 °F (163 °C) or follow favorite recipe.	Bake until done as desired.
Cookies (recipe or refrigerated slice & bake, drop or pre-cut)	4-6 cookies	Follow package or recipe directions.	Arrange in bake pan and place on top of slide rack. Bake until done and browned as desired.
Biscuits, dinner rolls (recipe or refrigerated)	To fit bake pan	Follow package or recipe directions.	Arrange in bake pan and place on top of slide rack. Bake until done and browned as desired.
White or sweet potatoes	1-6 medium potatoes	400 °F (204 °C) 1- 1-1/4 hours.	Wash and pierce potatoes. Place directly on slide rack.
Frozen French fries, onion rings, other frozen (breaded and fried) foods	Single layer to fit bake pan	Follow package directions.	Arrange in bake pan and place on top of slide rack. Turn once during baking. Check frequently to prevent over browning.
Individual frozen pizza		Follow package directions.	Place pizza directly on slide rack for a crisp crust, in bake pan for a softer crust.

BROIL FUNCTION

Important: The oven top and side surfaces get hot.

Note: When broiling, preheat oven for 5 minutes.

1. Use the Broiling Guide for cooking times.
2. Turn the temperature selector to Broil.



3. Open oven door and using the bake pan as a drip tray, insert it under the slide rack on the rack support rails **(E)**.

Important: You must set the timer or select Stay On for the oven to function.

4. Set the timer to desired number of minutes including preheat time or to Stay On if you want to control cooking time or need to cook your food longer than 30 minutes.

Important: When using the TIMER/TOAST function, always turn the dial past 10 and then turn back or forward to desired setting.

5. Place food on the slide rack.

Note: Be sure the top edge of the food or container is at least 1½" (3.81 cm) away from the upper heating elements.

Important: Food should not extend beyond the edges of the bake pan/drip tray to avoid drippings from falling onto the heating elements.

6. Cook food according to recipe or package instructions and check at minimum time to see if it is done.
7. When finished broiling, the signal bell sounds. Turn the TOAST/TIMER selector to the Off position. The power indicator light goes off.
8. Using an oven mitt or pot holder, slide out broiling rack together with bake pan to remove food.

BROILING GUIDE

Important: Preheat for 5 minutes.

Note: When broiling foods, slide the bake pan tray underneath the slide rack using the rack support rails. Turn temperature selector to Broil. Broiling times are approximate. For best results do not undercook ground beef, fish or poultry.

FOOD	AMOUNT	TIME	PROCEDURE
Chicken pieces	1-6 pieces	30-40 minutes	Arrange pieces skin-side down; turn after 15-25 minutes. Continue broiling until 180 °F (82 °C) on meat thermometer, or juices run clear.
Frankfurters	1-8 frankfurters	8-12 minutes	For uniform browning, turn frequently.
Hamburgers	1-6 (1/4 lb. (0,11 kg) each)	12-18 minutes	Turn after 8 minutes; continue broiling until 160 °F (71 °C) on meat thermometer, or done as desired.
Beef steaks	1-2 (3/4" (19mm) thick)	18-25 minutes	Turn after 10 minutes; continue broiling until 160 °F (71 °C) on meat thermometer, or done as desired.
Pork chops	1-6 (3/4" (19mm) thick)	20-30 minutes	Turn after 12 minutes; continue broiling until 160 °F (71 °C) on meat thermometer.
Fish steaks	1-6 (1" (26mm) thick)	10-18 minutes	Broil until fish flakes easily with a fork or 145 °F on meat thermometer.
Open-faced cheese sandwich	1-4 slices	7-10 minutes	For crispier sandwich, toast bread first. Top bread with tomato and sliced cheese, if desired. Broil until tomato is hot and cheese is melted.

Care and Cleaning

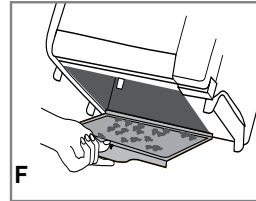
This product contains no user serviceable parts. Refer service to qualified service personnel.

CLEANING YOUR OVEN

Important: Before cleaning any part, be sure the oven is off, unplugged, and cool. Always dry parts thoroughly before using oven after cleaning.

1. Clean the glass door with a sponge, soft cloth or nylon pad and sudsy water. Do not use a spray glass cleaner.
2. To remove the slide rack, open the door, pull the rack forward and out. Wash the slide rack in sudsy water or in a dishwasher. To remove stubborn spots, use a polyester or nylon pad.
3. Wash the bake pan in sudsy water. To minimize scratching, use a polyester or nylon pad.

Crumb Tray



1. To open crumb tray, tip back oven, pull the crumb tray knob forward then down (**F**).
2. Wipe with a dampened cloth or paper toweling and dry thoroughly.
3. To close, pull the crumb tray knob forward, swing the crumb tray closed, and then push knob in to lock into place before operating the oven.

Exterior Surfaces

Important: The oven top surface gets hot, be sure the oven has cooled completely before cleaning.

Wipe the top and exterior walls with a damp cloth or sponge. Dry thoroughly.

Cooking Containers

Metal, ovenproof glass or ceramic bakeware without glass lids can be used in your oven. Follow manufacturer's instructions. Be sure the top edge of the container is at least 1½" (3.81 cm) away from the upper heating elements.

TROUBLE SHOOTING

PROBLEM	POSSIBLE CAUSE	SOLUTION
Unit is not heating or stops heating.	Electrical outlet is not working or oven is unplugged.	Check to make sure outlet is working. Both the temperature control and the timer must be set in order for the oven to function.
Second toasting is too dark.	Setting on toast is too dark.	If doing repeated toasting in the oven, select a shade slightly lighter than the previous setting.
Moisture forms on the inside of the glass door during toasting.	The amount of moisture differs in different products, whether bread, bagels or frozen pastries.	The moisture that forms on the oven door is quite common and will usually disappear during the toasting cycle. Since the oven is closed the moisture cannot evaporate as it would in a toaster.
Food is overcooked or undercooked.	Temperature and cook time may need to be adjusted.	As your a toaster oven is much smaller than a regular oven, it may heat up faster and cook faster. Try lowering the temperature 25 degrees from the suggested temperature in a recipe or on a label.
There is burnt food odor or smoking when oven is being used.	There are remnants of food in crumb tray or on the walls of the oven.	Refer to the directions in the CARE AND CLEANING section of this Use & Care manual. Make sure all parts of the oven, baking pan and rack are clean.
Heating elements do not seem to be on.	The heating elements cycle on and off during baking.	Check the oven to make certain the function desired is being used. On broil, only the top element is on.

NEED HELP?

For service, repair or any questions regarding your appliance, call the appropriate 800 number on cover of this book. Please **DO NOT** return the product to the place of purchase. Also, please **DO NOT** mail product back to manufacturer, nor bring it to a service center. You may also want to consult the website listed on the cover of this manual.

Two-Year Limited Warranty

(Applies only in the United States and Canada)

What does it cover?

- Any defect in material or workmanship provided; however, Applica's liability will not exceed the purchase price of product.

For how long?

- Two years after date of purchase.

What will we do to help you?

- Provide you with a reasonably similar replacement product that is either new or factory refurbished.

How do you get service?

- Save your receipt as proof of date of sale.
- Visit the online service website at www.prodprotect.com/applica, or call toll-free 1-800-231-9786, for general warranty service.
- If you need parts or accessories, please call 1-800-738-0245.

What does your warranty not cover?

- Damage from commercial use
- Damage from misuse, abuse or neglect
- Products that have been modified in any way
- Products used or serviced outside the country of purchase
- Glass parts and other accessory items that are packed with the unit
- Shipping and handling costs associated with the replacement of the unit
- Consequential or incidental damages (Please note, however, that some states do not allow the exclusion or limitation of consequential or incidental damages, so this limitation may not apply to you.)

How does state law relate to this warranty?

- This warranty gives you specific legal rights. You may also have other rights that vary from state to state or province to province.

 **BLACK&DECKER** is a registered trademark of The Black & Decker Corporation, Towson, Maryland, USA

Made in People's Republic of China
Printed in People's Republic of China

Por favor lea este instructivo antes de usar el producto.

INSTRUCCIONES IMPORTANTES DE SEGURIDAD

Quando se usan aparatos electricos, siempre se deben respetar las siguientes medidas basicas de seguridad:

- Por favor lea todas las instrucciones.
- No toque las superficies calientes. Use las asas o las perillas.
- A fin de protegerse contra un choque electrico y lesiones a las personas, no sumerja el cable, los enchufes ni el aparato en agua ni en ningun otro liquido.
- Todo aparato electrico usado en la presencia de los ninos o por ellos mismos requiere la supervision de un adulto.
- Desconecte el aparato del tomacorriente cuando no este en uso y antes de limpiarlo. Espere que el aparato se enfrie antes de instalarlo o retirarle piezas y antes de limpiarlo.
- No use ningun aparato electrico que tenga el cable o el enchufe averiado, que presente un problema de funcionamiento o que este danado. Acuda a un centro de servicio autorizado para que lo examinen, reparen o ajusten o llame gratis al numero correspondiente en la cubierta de este manual.
- El uso de accesorios no recomendados por el fabricante del aparato puede ocasionar incendio, choque electrico o lesiones a las personas.
- No use este aparato a la intemperie.
- No permita que el cable cuelgue del borde de la mesa o del mostrador ni que entre en contacto con superficies calientes.
- No coloque el aparato sobre ni cerca de las hornillas de gas o electricas ni adentro de un horno caliente.
- Tome mucha precaucion al mover de un lugar a otro un aparato que contenga aceite u otros liquidos calientes.
- Siempre conecte primero el cable al aparato y despues, enchufelo a la toma de corriente . Para desconectar, ajuste todo control a la posicion de apagado (OFF) y despues, retire el enchufe de la toma de corriente.
- Este aparato se debe usar unicamente con el fin previsto.
- Tenga muchisimo cuidado al retirar la bandeja o al desechar la grasa caliente.

- No use almohadillas de fibras metálicas para limpiar el aparato. Las fibras metálicas podrían entrar en contacto con las piezas eléctricas del aparato, resultando en el riesgo de un choque eléctrico.
- A fin de evitar el riesgo de incendio o choque eléctrico, jamás introduzca alimentos demasiado grandes ni utensilios de metal adentro del aparato.
- Existe el riesgo de incendio si el aparato permanece cubierto mientras se encuentra en funcionamiento o si éste llegase a entrar en contacto con cualquier material inflamable, incluyendo las cortinas y las paredes.
- Asegúrese de no colocar nada sobre el aparato mientras se encuentre en uso. Tenga mucho cuidado al utilizar recipientes que no sean de metal ni de vidrio.
- Cuando este aparato no se encuentre en funcionamiento no se debe almacenar nada aparte de los accesorios recomendados por el fabricante.
- No introduzca los siguientes materiales en el aparato: papel, cartón, envolturas plásticas ni materiales semejantes.
- A fin de evitar que el aparato se sobrecaliente, no cubra la bandeja para los residuos como ninguna otra superficie del aparato con papel de aluminio.

CONSERVE ESTAS INSTRUCCIONES.

Este aparato eléctrico es para uso doméstico únicamente.

ENCHUFE DE TIERRA

Como medida de seguridad, este producto cuenta con un enchufe de tierra que tiene tres contactos. No trate de alterar esta medida de seguridad. La conexión inapropiada del conductor de tierra puede resultar en un riesgo de choque eléctrico. Si tiene alguna duda, consulte con un electricista calificado para asegurarse de que la toma de corriente sea una de tierra.

TORNILLO DE SEGURIDAD

Advertencia: Este aparato cuenta con un tornillo de seguridad para evitar la remoción de la cubierta exterior del mismo. A fin de reducir el riesgo de incendio o de choque eléctrico, por favor no trate de remover la cubierta exterior. Este producto no contiene piezas reparables por el consumidor. Toda reparación se debe llevar a cabo únicamente por personal de servicio autorizado.

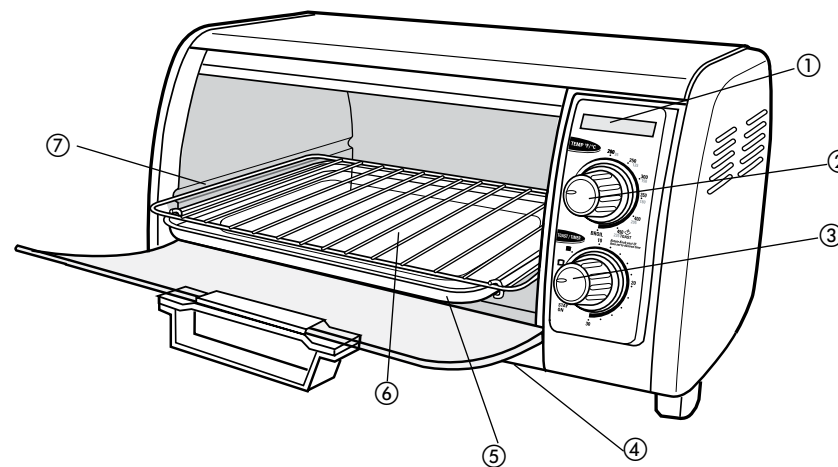
CABLE ELÉCTRICO

- El producto debe proporcionarse con un cable corto para reducir el riesgo de enredarse o de tropezar con un cable largo.
- Se encuentran disponibles cables de extensión más largos, que es posible utilizar si se emplea el cuidado debido.
- Si se utiliza un cable de extensión,
 - El voltaje eléctrico del cable o del cable de extensión debe ser, como mínimo, igual al del voltaje del aparato, y
 - El cable debe acomodarse de modo que no cuelgue del mostrador o de la mesa, para evitar que un niño tire del mismo o que alguien se tropiece accidentalmente.

Si el aparato es del tipo que es conectado a tierra, el cable de extensión deberá ser un cable de tres alambres conectado a tierra.

Nota: Si el cordón de alimentación está dañado, en América Latina debe sustituirse por personal calificado o por el centro de servicio autorizado.

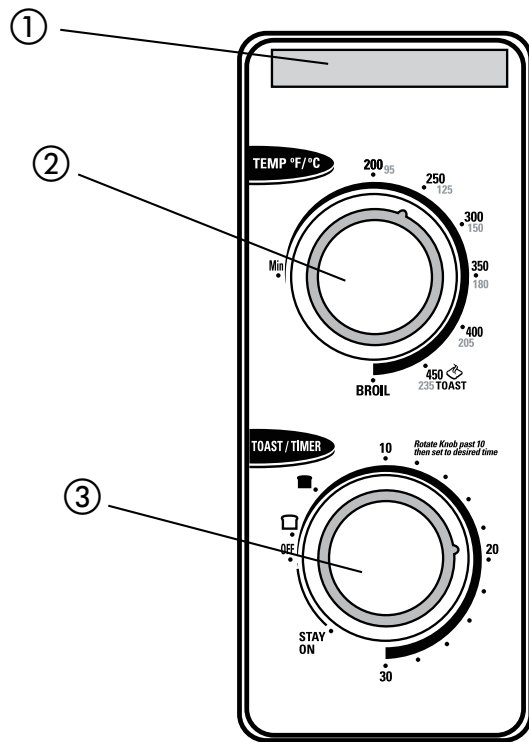
Este producto puede variar ligeramente del que aparece ilustrado.



A

1. Luz indicadora de funcionamiento
2. Control de temperatura
3. Selector de tostado/cronómetro de 30 minutos con posición de funcionamiento continuo (Stay On)
4. Bandeja de residuos oscilante (debajo de la unidad)
5. Bandeja para hornear/bandeja de goteo
6. Parrilla corrediza
7. Carriles de soporte

PANEL DE CONTROLES




B

Importante:
Al utilizar la función de tostar cronómetro (TOAST/TIMER), gire siempre el selector pasando la posición 10, y luego gírelo a la izquierda o a la derecha hasta alcanzar el nivel deseado.

1. Luz indicadora de funcionamiento
2. Ajuste de temperatura
3. Selector de tostado/minutero de 30 minutos con posición de funcionamiento continuo (Stay On)

Como usar

Este producto es solamente para uso doméstico.

	PRECAUCIÓN
	ESTE HORNO SE CALIENTA CUANDO ESTÁ EN USO. SIEMPRE USE AGARRADERAS O GUANTES DE COCINA CUANDO TOQUE TODA SUPERFICIE INTERNA O EXTERNA DEL HORNO.

PREPARARSE PARA UTILIZAR

- Retire el material de empaque y toda calcomanía.
- Retire también la parrilla corrediza/parrilla de asar y la bandeja de hornear/bandeja de goteo del horno.
- Lave con agua jabonada, enjuague y seque bien con un paño o con una toalla de papel.
- Instale la parrilla corrediza/parrilla de asar en el horno.
- Escoja el lugar apropiado para el aparato. No coloque el aparato debajo de los gabinetes ni demasiado cerca de la pared, a fin de asegurar que el flujo de calor no perjudique el mostrador.
- Conecte la unidad a una toma de corriente eléctrica.
- Vaya a www.prodprotect.com/applica para registrar su garantía.

Advertencia: El horno está caliente. No toque la superficie.

PARA TOSTAR

No se requiere precalentar el horno para tostar.

1. Ajuste el control selector de temperatura a la posición de tostar encendido TOAST.
2. Abra la puerta del aparato.
3. Inserte la parrilla corrediza adentro de las ranuras.
4. Coloque las rebanadas de pan directamente sobre la parrilla corrediza y cierre la puerta.
5. Ajuste el selector del grado de tostado al gusto. Para optimizar los resultados, se recomienda ajustar el selector a la posición media durante el primer ciclo de funcionamiento y luego, uno puede escoger entre claro y oscuro para los demás ciclos. La luz indicadora de funcionamiento se enciende y permanece así durante el ciclo de tostado. Al finalizar el ciclo de tostado, suena un timbre de aviso, el horno se apaga automáticamente y la luz indicadora de funcionamiento desaparece.

Importante: Al utilizar la función de tostado/cronómetro (TOAST/TIMER), gire siempre el selector pasando el nivel 10, y luego gírelo a la izquierda o a la derecha hasta alcanzar el nivel deseado.

6. Abra la puerta del horno y con la ayuda de un protector o guante de cocina, deslice la parrilla hacia afuera para retirar las tostadas.

Consejos prácticos

- Uno debe apagar el selector del grado de tostado para anular el ciclo de tostado.
- Para continuar tostando inmediatamente después de finalizar el primer ciclo de tostado, ajuste el selector a una posición un poco más clara.
- Para obtener los mejores resultados, al hacer tandas consecutivas de tostadas permita que el horno se enfríe brevemente entre los ciclos de tostado.

PARA HORNEAR

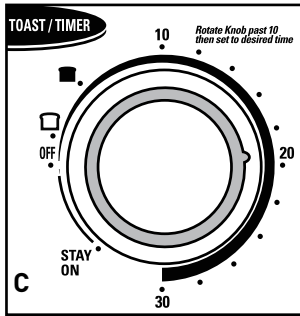
Advertencia: El horno está caliente. No toque la superficie.

1. Consulte la guía de hornear (página 17, 18) para el tipo de alimento que desea cocinar.

Nota: Para optimizar los resultados de cocción, se recomienda precalentar el horno durante 8 minutos a la temperatura deseada.

2. Ajuste el control selector de temperatura a la temperatura deseada.

Importante: Para activar el horno, se requiere ajustar el cronómetro a una temperatura determinada o seleccionar la posición de funcionamiento continuo (Stay On).

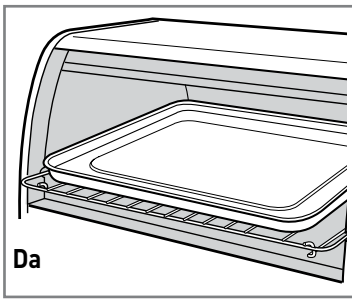


3. Ajuste el cronómetro al tiempo deseado, incluyendo el período de precalentamiento o seleccione la posición de funcionamiento continuo (Stay On) (C).

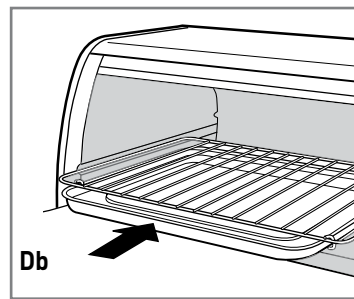
Importante: Al utilizar la función de tostado/cronómetro (TOAST/TIMER), gire siempre el selector pasando el nivel 10, y luego gírelo a la izquierda o a la derecha hasta alcanzar el nivel deseado.

Consejo: Ajuste el cronómetro a la posición "STAY ON" (permanecer encendido) si desea controlar el tiempo de cocción o si desea cocinar los alimentos por más de 30 minutos.

- La luz indicadora de funcionamiento se enciende y permanece así durante el ciclo de cocción.
 - Los elementos calefactores funcionan de manera intermitente a fin de mantener la temperatura.
4. Usted puede cocinar los alimentos de dos maneras:
 - En la bandeja de hornear colocada sobre la parrilla corrediza (Da), o
 - Directamente sobre la parrilla corrediza, utilizando la bandeja de hornear como bandeja de goteo, insertada en los carriles de soporte (Db).



O



Nota: Asegúrese de que haya un espacio mínimo de 1½" (3.81 cm) entre los alimentos o el borde superior del recipiente y los elementos calefactores.

5. Cierre la puerta del horno.
6. Cocine según la receta o las instrucciones del paquete y supervise los alimentos al cumplirse el tiempo mínimo de cocción.
7. El timbre de aviso suena una vez que finaliza el ciclo de tostado. Gire el selector de tostado/cronómetro (TOAST/TIMER) a la posición de apagado (OFF). La luz indicadora de funcionamiento (ON) se apaga.
8. Abra la puerta del horno y con la ayuda de un protector o guante de cocina, deslice la parrilla hacia afuera para retirar los alimentos.

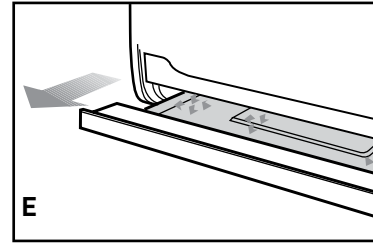
GUÍA DE HORNEAR

ALIMENTO	CANTIDAD	TEMPERATURA/ DURACIÓN	PROCEDIMIENTO
Porciones de pollo	Según la capacidad de la bandeja de hornear (de 1 a 4 piezas)	191 °C (375 °F) de 40 a 55 minutos.	Hornear hasta que el termómetro de cocinar indique 82 °C (180 °F)
Jamón, cordero o chuletas de cerdo, filetes de pescado o bistec	Según la capacidad de la bandeja de hornear (de 1 a 4 chuletas o filetes)	Cocinar a 163 °C (325 °F) o preparar al gusto.	Hornear al gusto.
Galletas (de receta o de masa refrigerada para cortar y hornear, de cucharada o precortadas)	De 4 a 6 galletas	Según las direcciones del paquete o la receta.	Acomodar en la bandeja de hornear y colocar encima de la parrilla corrediza. Hornear hasta quedar bien cocidas y dorar al gusto.
Biscochos, panes pequeños (de receta o de masa refrigerada)	Según la capacidad de la bandeja de hornear	Según las direcciones del paquete o la receta.	Acomodar en la bandeja directamente sobre la parrilla corrediza. Hornear hasta quedar bien cocidos y dorar al gusto.

ALIMENTO	CANTIDAD	TEMPERATURA/ DURACIÓN	PROCEDIMIENTO
Papas o camotes	De 1 a 6 medianos	Cocinar a 204 °C (400 °F) de 1 a 1-1/4 hora.	Acomodar en la bandeja directamente sobre la parrilla corrediza. Lavar y pinchar las papas. Colocar las papas directamente sobre la parrilla corrediza, rieles orientado hacia arriba.
Papas fritas congeladas, aros de cebolla y otros alimentos congelados (rebozados y fritos)	Una capa, según la capacidad de la bandeja de hornear	Según las direcciones del paquete o la receta.	Acomodar en la bandeja directamente sobre la parrilla corrediza, carril orientado hacia arriba. Voltear una vez durante el ciclo de cocción. Supervisar frecuentemente para no dorar en exceso.
Pizzas individuales congeladas		Según las direcciones del paquete.	Colocar la pizza directamente sobre la parrilla corrediza para una corteza crujiente, en la bandeja de hornear para una corteza mas suave.

PARA ASAR

1. Consulte el tiempo de cocción recomendado en la guía de asar.
2. Gire el control selector de temperatura a la posición de asar (BROIL).
3. Abra la puerta del horno y utilice la bandeja de hornear como bandeja de goteo, instalándola debajo de la parrilla corrediza, sobre los carriles de soporte **(E)**.
4. Ajuste el cronómetro al tiempo deseado, incluyendo el período de precalentamiento o seleccione la posición de funcionamiento continuo (Stay On), si desea controlar el tiempo de cocción o si los alimentos requieren más de 30 minutos de cocción.



Importante: Al utilizar la función de tostado/cronómetro (TOAST/TIMER), gire siempre el selector pasando el nivel 10, y luego gírelo a la izquierda o a la derecha hasta alcanzar el nivel deseado.

Importante: Para activar el horno, se requiere ajustar el cronómetro a una temperatura determinada o seleccionar la posición de funcionamiento continuo (Stay On).

5. Coloque los alimentos sobre la parrilla corrediza.

Nota: Asegúrese de que haya un espacio mínimo de 1½" (3.81 cm) entre los alimentos o el borde superior del recipiente y los elementos calefactores.

Importante: Los alimentos no deben de sobrepasar los bordes de la bandeja de hornear/bandeja de goteo, a fin de evitar exceso de goteo sobre los elementos calefactores.

6. Prepare los alimentos conforme a la receta o las instrucciones del paquete y supervise la cocción según el tiempo mínimo estipulado. Para lograr mejores resultados cuando uno asa los alimentos, se recomienda voltearlos a medio ciclo de cocción.
7. El timbre de aviso suena una vez que finaliza el ciclo de asado. Gire el selector de tostado/cronómetro (TOAST/TIMER) a la posición de apagado (OFF). La luz indicadora de funcionamiento se apaga.
8. Abra la puerta del horno y con la ayuda de un protector o guante de cocina, deslice la parrillacorrediza hacia afuera para retirar los alimentos.

GUÍA DE ASAR

Pre caliente el horno 5 minutos.

Nota: Para asar los alimentos, deslice la bandeja de hornear debajo de la parrilla corrediza con la ayuda de los carriles de descanso. Ajuste el control de temperatura de hornear a la posición de asar (BROIL). El tiempo de cocción recomendado es aproximado. Para optimizar los resultados de cocción, uno debe de asegurar que la carne de res, de cerdo, de aves y de pescado quede bien cocida.

ALIMENTO	CANTIDAD	DURACIÓN	PROCEDIMIENTO
Porciones de Pollo	1-6 piezas	30-40 minutos	Acomodar las piezas de pollo con la piel hacia abajo; voltear al cabo de 15 a 25 minutos, asando hasta que el termómetro para carne indique 82 °C (180 °F) o hasta que los jugos corran sin color.
Salchichas	1-8 salchichas	8-12 minutos	Voltear con frecuencia para un dorado uniforme.
Hamburguesas	1 a 6 de 0, 11 kg (1/4 lb)	12-18 minutos	Voltear al cabo de 8 minutos; cocinar hasta que el termómetro de carne indique 71 °C (160 °F) o cocine al gusto.
Bistec	1 a 2 con grosor de 19 mm (3/4")	18-25 minutos	Voltear al cabo de 10 minutos; cocinar hasta que el termómetro de carne indique 71 °C (160 °F) o cocine al gusto.
Chuletas de cerdo	1 a 6 con grosor de 19 mm (3/4")	20-30 minutos	Voltear al cabo de 12 minutos; cocinar hasta que el termómetro de carne indique 71 °C (160 °F)
Filetes de pescado	1 a 6 con grosor 26 mm (1")	10 -18 minutos	Cocinar hasta poder separar fácilmente con un tenedor o hasta que el termómetro de carne indique 145 °F.
Sándwich de queso, sin tapa	1 a 4 rebanadas	7-10 minutos	Para un sándwich más crujiente, se debe tostar primero el pan. Coronar el pan con rebanadas de tomate y queso, al gusto. Cocinar hasta que el tomate se caliente y el queso se haya derretido.

Cuidado y limpieza

Este producto no contiene piezas reparables por el consumidor. Para servicio, acuda a personal calificado.

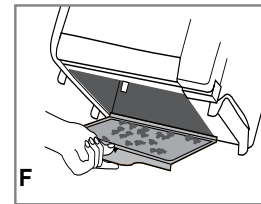
LIMPIEZA DEL HORNO

Importante: Apague el aparato, desconecte de la toma de corriente y permita que se enfríe antes de limpiar cualquier pieza. Después de lavadas, siempre seque bien todas las piezas antes de instalarlas para utilizar el horno nuevamente.

1. Limpie la puerta de vidrio con una esponja, una toalla suave, almohadilla de nailon y agua jabonada. No utilice rociadores de limpiar vidrios.
2. Lave la parrilla corrediza con agua caliente jabonada o en la máquina lavaplatos. Para remover las manchas persistentes, utilice una almohadilla de poliéster o de nailon.
3. Lave la bandeja de hornear con agua jabonada. Utilice una almohadilla de poliéster o de nailon a fin de evitar los rayones.

Bandeja de residuos

Nota: Para retirar la bandeja de los residuos, la puerta del horno debe de permanecer cerrada.



1. Para abrir la bandeja de residuos, incline el horno hacia atrás, tire de la perilla de la bandeja de residuos (**F**) hacia adelante y luego hacia abajo.
2. Límpiela con una toalla de papel o paño húmedo y séquela bien.
3. Para cerrarla, tire de la perilla de la bandeja de residuo hacia adelante, deslice la bandeja para migas hasta cerrarla y luego presione la perilla para trazarla en su lugar antes de hacer funcionar el horno.

Superficies exteriores

Importante: La superficie superior del horno se calienta; asegúrese de que el horno se haya enfriado bien antes de limpiarlo. Limpie la parte superior y demás superficies exteriores con un paño o con una esponja humedecida. Seque bien con un paño suave o con papel de toalla.

Recipientes de cocinar

Este aparato le permite utilizar recipientes de metal, de vidrio resistente al calor o de cerámica sin tapas de vidrio. Siga las indicaciones del fabricante. Asegúrese de que haya un espacio mínimo de 1/2" (3.81 cm) entre el borde superior del recipiente y los elementos calefactores.

GUÍA DE SOLUCIÓN DE PROBLEMAS O FALLAS

PROBLEMA	POSIBLE CAUSA	SOLUCIÓN
El aparato no calienta o deja de calentar.	La tomacorriente no funciona o el horno está desconectado.	Verifique que la tomacorriente esté funcionando. Tanto el control de temperatura como el cronómetro deben ser ajustados para que el horno funcione.
La segunda tanda de tostado resulta muy oscura.	El control del grado de tostado está a un nivel demasiado alto.	Si repite varias tandas, escoja un grado de tostado más bajo que el anterior.
Se forma humedad por dentro en la puerta de vidrio durante el ciclo de tostado.	La cantidad de humedad varía entre un producto y otro según los productos; pan, bagels, pasteles etc.	La humedad que se forma por dentro en la puerta del horno es bastante común y generalmente desaparece durante el ciclo de tostado. Como la puerta permanece cerrada, la humedad no se puede evaporar como en un tostador normal.
Los alimentos se sobre cocinan o no se cocinan bien.	La temperatura y el tiempo de cocción pueden requerir reajuste.	Como un horno tostador es mucho más pequeño que un horno regular, puede que se caliente y cocine más rápido. Ensaye, reduciendo 25 grados de la temperatura indicada en la receta o en el paquete.

PROBLEMA	POSIBLE CAUSA	SOLUCIÓN
El aparato despidе olor a comida quemada o humea cuando está en funcionamiento.	Hay residuos de comida en la bandeja de recolección o en las paredes del horno.	Consulte las instrucciones en la sección de CUIDADO Y LIMPIEZA de este manual. Asegúrese de que todas las partes del horno, bandeja de hornear y parrilla estén limpias.
Los elementos calefactores parecen no estar encendidos.	Los elementos calefactores funcionan intermitentemente durante el ciclo de cocción.	Asegúrese que el aparato esté ajustado a la función correcta. Para el caso, cuando uno asa los alimentos, solamente se enciende el elemento calefactor superior.

¿NECESITA AYUDA?

Para servicio, reparaciones o preguntas relacionadas al producto, por favor llame al número del centro de servicio que se indica para el país donde usted compró su producto.

NO devuélva el producto al fabricante. Llame o lleve el producto a un centro de servicio autorizado.

DOS AÑOS DE GARANTÍA LIMITADA

(No aplica en México, Estados Unidos o Canadá)

¿Qué cubre la garantía?

- La garantía cubre cualquier defecto de materiales o de mano de obra que no haya sido generado por el uso incorrecto del producto.

¿Por cuánto tiempo es válida la garantía?

- Por dos años a partir de la fecha original de compra.

¿Cómo se obtiene el servicio necesario?

- Conserve el recibo original como comprobante de la fecha de compra, comuníquese con el centro de servicio de su país y haga efectiva su garantía si cumple lo indicado en el manual de instrucciones.

¿Cómo se puede obtener servicio?

- Conserve el recibo original de compra.
- Por favor llame al número del centro de servicio autorizado.

¿Qué aspectos no cubre esta garantía?

- Los productos que han sido utilizados en condiciones distintas a las normales.
- Los daños ocasionados por el mal uso, el abuso o negligencia.
- Los productos que han sido alterados de alguna manera.
- Los daños ocasionados por el uso comercial del producto.
- Los productos utilizados o reparados fuera del país original de compra.
- Las piezas de vidrio y demás accesorios empacados con el aparato.
- Los gastos de tramitación y embarque asociados al reemplazo del producto.
- Los daños y perjuicios indirectos o incidentales.

¿Qué relación tiene la ley estatal con esta garantía?

- Esta garantía le otorga derechos legales específicos y el consumidor podría tener otros derechos que varían de una región a otra.

Póliza de Garantía

(Válida sólo para México)

Duración

Applica Manufacturing, S. de R. L. de C.V. garantiza este producto por 2 años a partir de la fecha original de compra.

¿Qué cubre esta garantía?

Esta Garantía cubre cualquier defecto que presenten las piezas, componentes y la mano de obra contenidas en este producto.

Requisitos para hacer válida la garantía

Para reclamar su Garantía deberá presentar al Centro de Servicio Autorizado la póliza sellada por el establecimiento en donde adquirió el producto. Si no la tiene, podrá presentar el comprobante de compra original.

¿Donde hago válida la garantía?

Llame sin costo al teléfono 01 800 714 2503, para ubicar el Centro de Servicio Autorizado más cercano a su domicilio en donde usted podrá encontrar partes, componentes, consumibles y accesorios.

Procedimiento para hacer válida la garantía

Acuda al Centro de Servicio Autorizado con el producto con la póliza de Garantía sellada o el comprobante de compra original, ahí se reemplazará cualquier pieza o componente defectuoso sin cargo alguno para el usuario final. Esta Garantía incluye los gastos de transportación que se deriven de su cumplimiento.

Excepciones

Esta Garantía no será válida cuando el producto:

- A) Se hubiese utilizado en condiciones distintas a las normales.
- B) No hubiese sido operado de acuerdo con el instructivo de uso que le acompaña.
- C) Cuando el producto hubiese sido alterado o reparado por personas no autorizadas por Applica Manufacturing, S. de R. L. de C.V.

Nota: Usted podrá encontrar partes, componentes, consumibles y accesorios en los centros de servicios autorizados. Esta garantía incluyen los gastos de transportación que se deriven de sus cumplimiento dentro de sus red de servicio.

Por favor llame al número correspondiente que aparece en la lista a continuación para solicitar que se haga efectiva la garantía y donde Ud. puede solicitar servicio, reparaciones o partes en el país donde el producto fué comprado. También puede consultarnos en el e-mail servicio@applicamail.com.mx

Argentina

SERVICIO TECNICO CENTRAL
ATTENDANCE

Avda. Monroe N° 3351
Buenos Aires – Argentina
Fonos: 0810 – 999 - 8999
011 - 4545 - 4700
011 – 4545 – 5574

supervision@attendance.com.ar

Chile

MASTER SERVICE SERVICENTER

Nueva Los Leones N° 0252

Providencia
Santiago – Chile
Fono Servicio: (562) – 232 77 22
servicente@servicenter.cl

Colombia

PLINARES
Avenida Quito # 88A-09
Bogotá, Colombia
Tel. sin costo 01 800
7001870

Costa Rica

Aplicaciones Electromecánicas, S.A.
Calle 26 Bis y Ave. 3
San Jose, Costa Rica
Tel.: (506) 257-5716 / 223-0136

Ecuador

Servicio Master de Ecuador
Av. 6 de Diciembre 9276 y los Alamos
Tel. (593) 2281-3882

El Salvador

Calle San Antonio Abad 2936
San Salvador, El Salvador
Tel. (503) 2284-8374

Guatemala

MacPartes SA
3ª Calle 414 Zona 9
Frente a Tecun
Tel. (502) 2331-5020 / 2332-2101

Honduras

ServiTotal
Contigua a Telecentro
Tegucigalpa, Honduras,
Tel. (504) 235-6271

México

Artículo 123 # 95 Local 109 y 112
Col. Centro, Cuauhtemoc,
México, D.F.
Tel. 01 800 714 2503

Nicaragua

ServiTotal
De semáforo de portezuelo
500 metros al sur.
Managua, Nicaragua,
Tel. (505) 248-7001

Panamá

Servicios Técnicos CAPRI
Tumbamuerto Boulevard
El Dorado Panamá
500 metros al sur.
Tel. 3020-480-800 sin costo
(507) 2360-236 / 159

Perú

Servicio Central Fast Service
Av. Angamos Este 2431
San Borja, Lima Perú
Tel. (511) 2251 388

Puerto Rico

Buckeye Service
Jesús P. Piñero #1013
Puerto Nuevo, SJ PR 00920
Tel.: (787) 782-6175

Republica Dominicana

Plaza Lama, S.A.
Av. Duarte #94
Santo Domingo,
República Dominicana
Tel.: (809) 687-9171

Venezuela

Inversiones BDR CA
Av. Casanova C.C.
City Market Nivel Plaza Local 153
Diagonal Hotel Melia,
Caracas.
Tel. (582) 324-0969

www.applicaservice.com
servicio@applicamail.com

Sello del Distribuidor:

Fecha de compra:

Modelo:

Código de fecha / Date Code

Comercializado por:

Applica Manufacturing, S. de R. L. de C.V.
Presidente Mazarik No111, 1er Piso
Col. Chapultepec Morales, Mexico D.F
Deleg. Miguel Hidalgo
CP 11570
MEXICO

Servicio y Reparación

Art. 123 No. 95
Col. Centro, C.P. 06050
Deleg. Cuauhtemoc

Servicio al Consumidor,

Venta de Refacciones y Accesorios
01 800 714 2503

1 200 W 120 V[~] 60 Hz

 **BLACK&DECKER** es una marca registrada de The Black & Decker Corporation,
Towson, Maryland, E.U.

Fabricado en la República Popular de China
Impreso en la República Popular de China

Importado por / Imported by:

APPLICA AMERICAS, INC.

Av. Juan B Justo 637 Piso 10
(C1425FSA) Ciudad Autonoma de Buenos Aires
Argentina

C.U.I.T No. 30-69729892-0

Importado por / Imported by:

APPLICA MANUFACTURING, S. DE R. L. DE C. V.

Presidente Mazarik No111, 1er Piso
Col. Chapultepec Morales, Mexico D.F
Deleg. Miguel Hidalgo
CP 11570
MEXICO

Teléfono: (55) 5263-9900

Del interior marquez sin costo

01 (800) 714 2503



Copyright © 2009 Applica Consumer Products, Inc.

R22009/3-23-55E/S



Printed on recycled paper.
Impreso en papel reciclado.