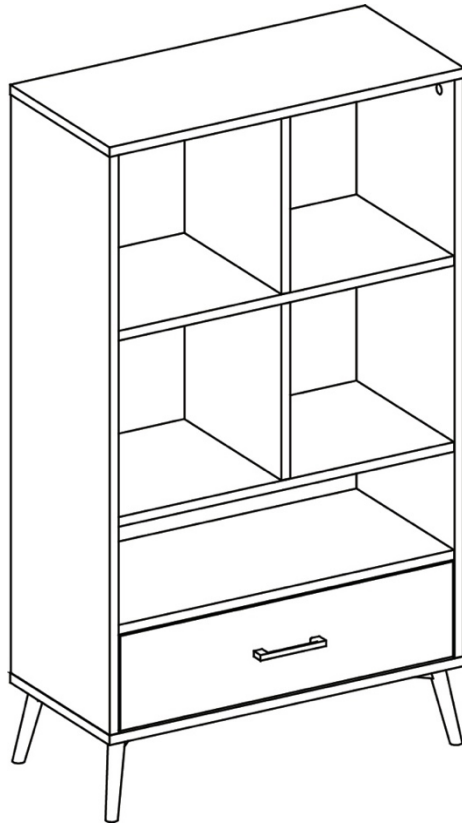




## ASSEMBLY INSTRUCTIONS



### **RiverRidge® Woodbury Storage Cabinet with Cubbies and Drawer**

ITEM #: 16-024

#### **ADULT ASSEMBLY REQUIRED**

This product requires assembly by an adult because of small parts. Care should be taken in unpacking and assembling this item to keep small parts away from children.

#### **WARNING SEE FULL WARNING ON PAGE 2**

Young children can be seriously injured or killed if furniture tips over. Don't use this item for a TV stand or place heavy objects on top of item. Always use angle-braces or anchors to secure furniture to the wall.

**THIS SHELF UNIT WILL HOLD UP TO 20 POUNDS PER CUBBY AND TOP BOARD AND 10 POUNDS PER DRAWER FOR A TOTAL OF 130 POUNDS. DO NOT LOAD CUBBIES OR TOP BOARD WITH MORE THAN 20 POUNDS OR DRAWER WITH MORE THAN 10 POUNDS. OVERLOADING WITH MORE THAN 20 POUNDS PER CUBBY OR TOP BOARD OR 10 POUNDS PER DRAWER MAY CAUSE SHELF TO TIP FROM WALL AND CAUSE DAMAGED TO THE SHELF OR SERIOUS INJURY OR DEATH.**

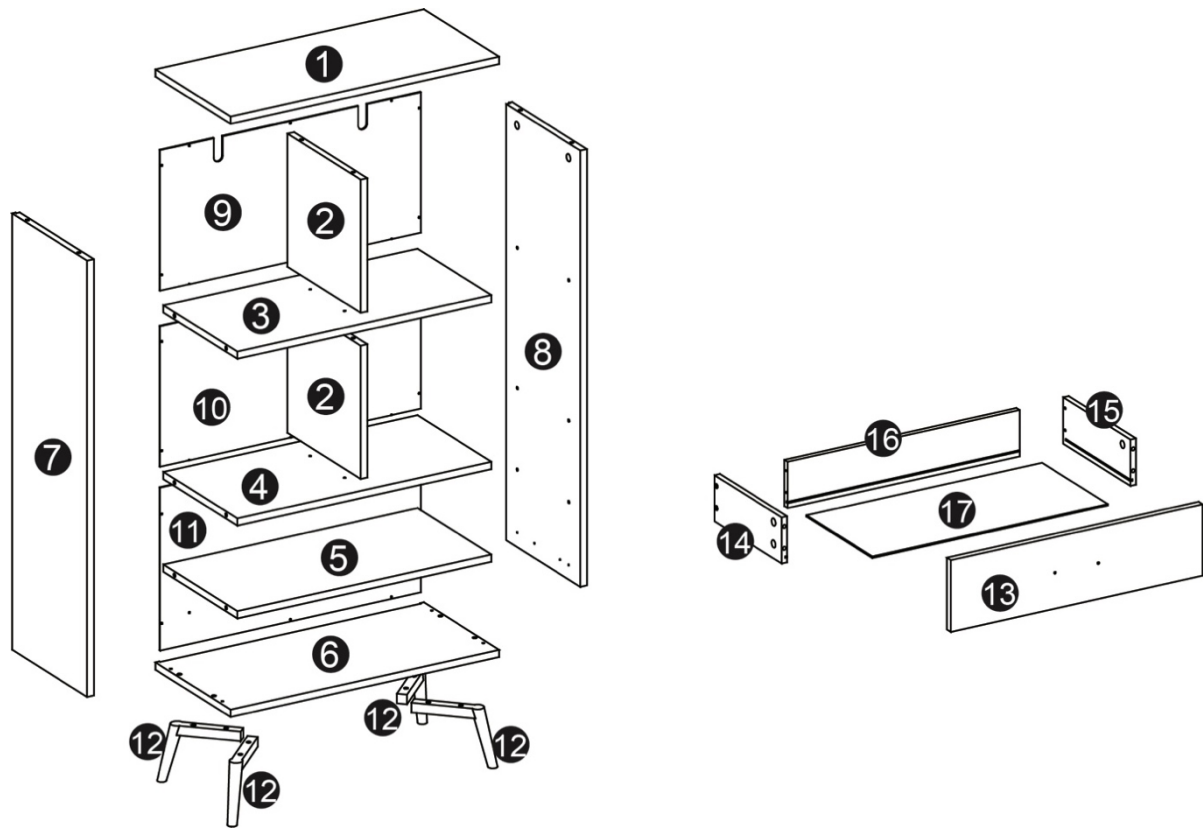


# **WARNING**

**SERIOUS OR FATAL INJURIES CAN OCCUR FROM FURNITURE TIP-OVER. TO HELP PREVENT TIP-OVER:**

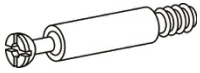




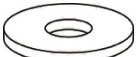
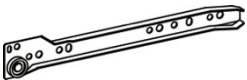
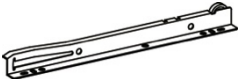
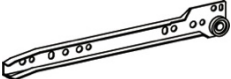
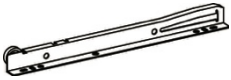





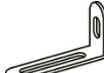


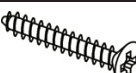
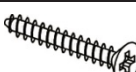
- **Always use tip over restraints and/or wall anchors to secure furniture to the wall**
- **Place heaviest items in the lowest drawers/bins or shelves**
- **Do not set TV's or other heavy objects on the top of this product**
- **Never allow children to climb or hang on to the drawers/bins, doors or shelves of furniture**
- **Never open more than one drawer at a time or defeat or remove any drawer interlock system**

# PARTS LIST



NO	QTY	DESCRIPTION
1	1PC	Top Board
2	2PCS	Divider Board
3	1PC	Top shelf
4	1PC	Middle Shelf
5	1PC	Open Shelf
6	1PC	Bottom Board
7	1PC	Left Side Panel
8	1PC	Right Side Panel
9	1PC	Upper Back Board
10	1PC	Middle Back Board
11	1PC	Lower Back Board
12	4PCS	Metal Leg
13	1PC	Drawer Front Board
14	1PC	Drawer Left Side Board
15	1PC	Drawer Right Side Board
16	1PC	Drawer Back Board
17	1PC	Drawer Bottom Board

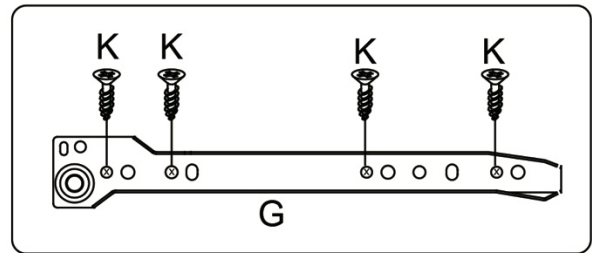
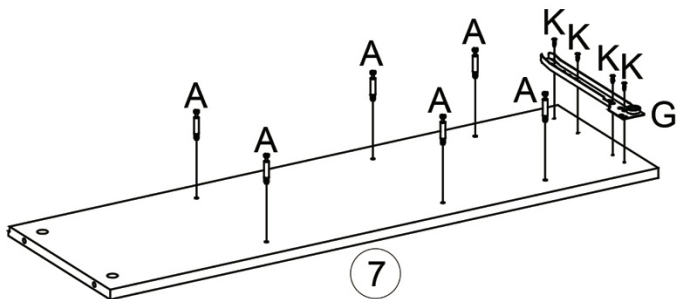
# PARTS LIST

NO	PART	QTY	DESCRIPTION
A		24PCS	Cam Bolt
B		20PCS	Cam Lock
C		4PCS	Wood Dowel (8x30mm)
D		4PCS	Screw (4X35mm)
E		8PCS	Machine Screw (6x30mm)
F		8PCS	Shim
G		1PC	Drawer slides attach to left side panel
H		1PC	Drawer slides attach to drawer left side
I		1PC	Drawer slides attach to right side panel
J		1PC	Drawer slides attach to drawer right side
K		14PCS	Screw (3x12mm)
L		24PCS	Screw (2.5x10mm)
M		1PC	Handle
N		2PCS	Machine screw (4x18mm)
O		4PCS	Drawer Cam Lock
P		2PCS	Bracket
Q		2PCS	Screw (4x14mm)
R		2PCS	Plastic Anchor
S		8PCS	Screw (4x35mm)
T		2PCS	Screw (5x40mm)

**TOOLS NEEDED FOR ASSEMBLY: FLAT & PHILLIPS SCREWDRIVER (NOT INCLUDED)  
THE USE OF POWER SCREWDRIVER IS NOT RECOMMENDED FOR ASSEMBLY  
TOOL NEEDED FOR SECURING TO WALL: POWER DRILL (NOT INCLUDED)**

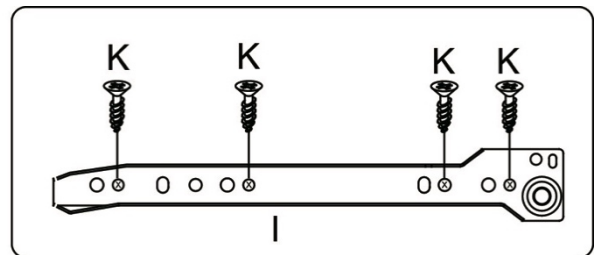
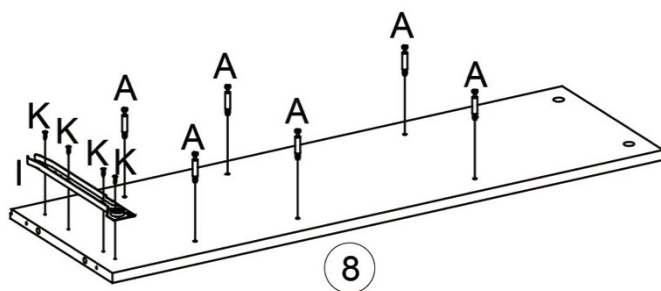
To order replacement parts at no cost to you, email [customer.service@ssi-rr.com](mailto:customer.service@ssi-rr.com),  
call 1-(844)-223-5201 or order parts online at [www.riverridgehome.com](http://www.riverridgehome.com)

## STEP 1



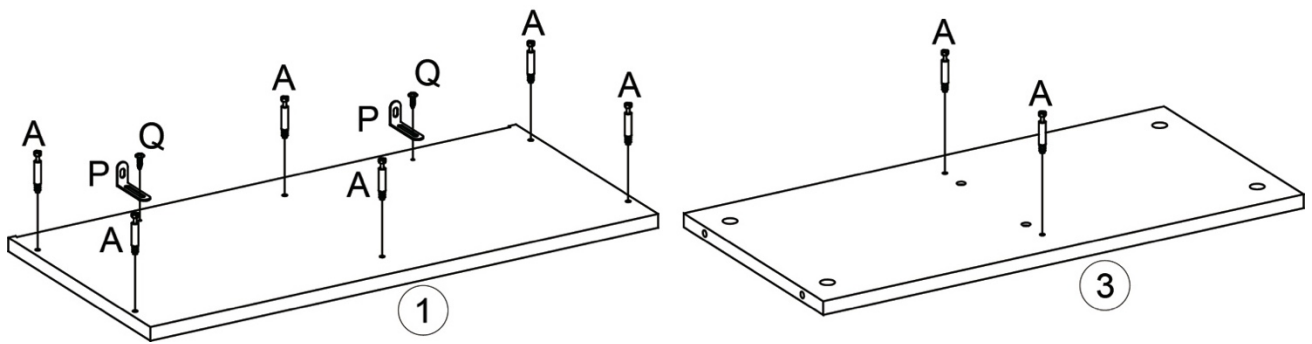
1. Screw 6 cam bolts (A) into pre-threaded holes on left side panel (7).
2. Attach drawer slides attach to left side panel (G) to left side panel (7) by inserting 4 screws (K) through holes on drawer slides attach to left side panel (G), then tighten to left side panel (7).

## STEP 2



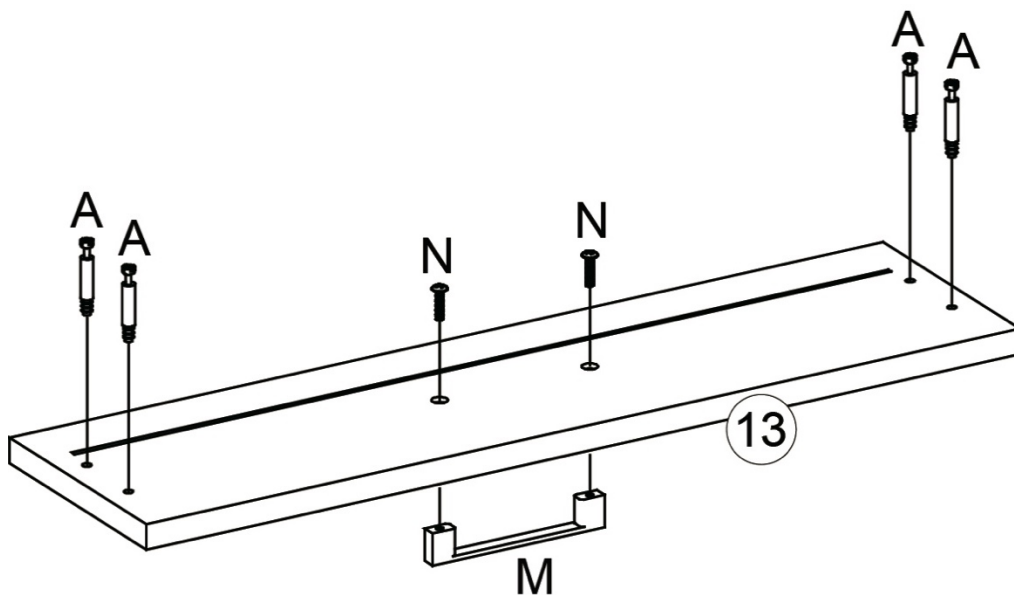
1. Screw 6 cam bolts (A) into pre-threaded holes on right side panel (8).
2. Attach drawer slides attach to right side panel (I) to right side panel (8) by inserting 4 screws (K) through holes on drawer slides attach to right side panel (I), then tighten to right side panel (8).

### STEP 3



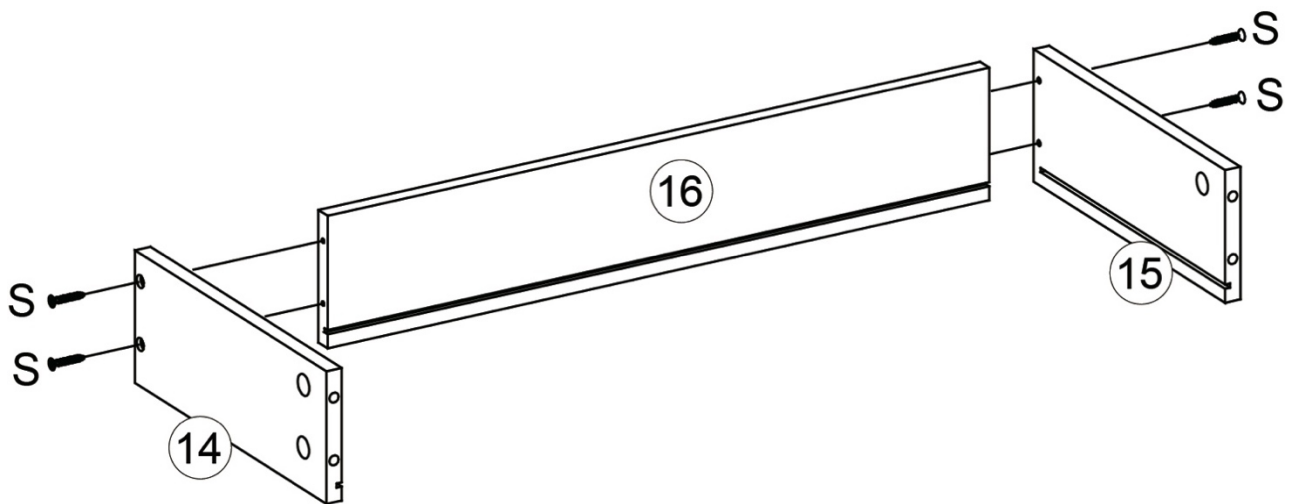
1. Screw 6 cam bolts (A) into pre-threaded holes on top board (1).
2. Attach 2 brackets (P) to top board (1) by inserting 2 screws (Q) through holes on brackets (P), then tighten to top board (1).
3. Screw 2 cam bolts (A) into pre-threaded holes on top shelf (3).

### STEP 4



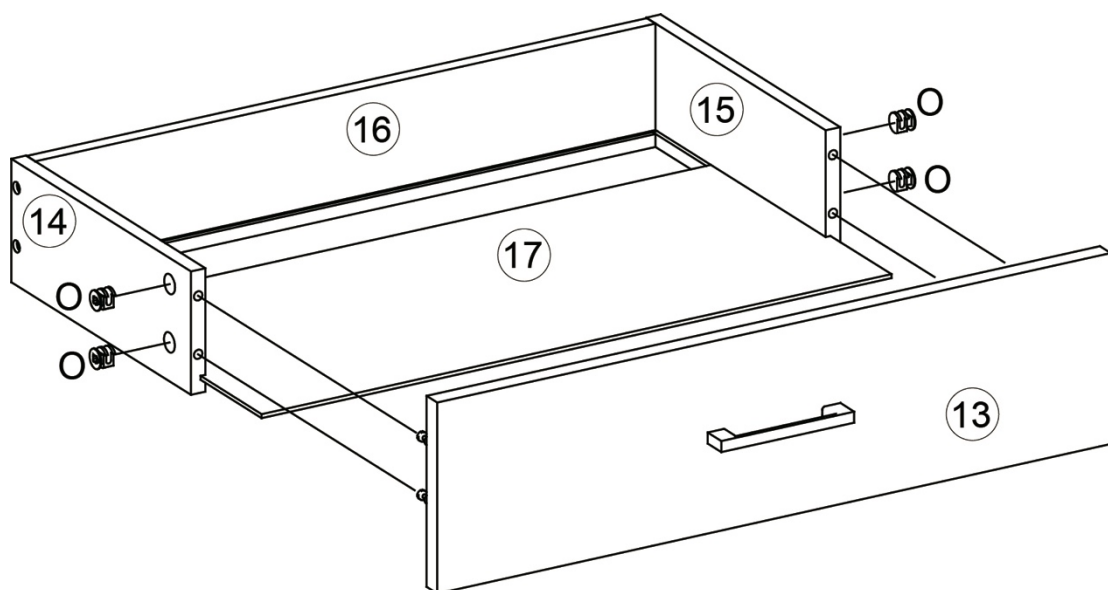
1. Screw 4 cam bolts (A) into pre-threaded holes on drawer front board (13)
2. Attach handle (M) to drawer front board (13) by inserting 2 machine screws (N), then tighten to handle (M).

## STEP 5



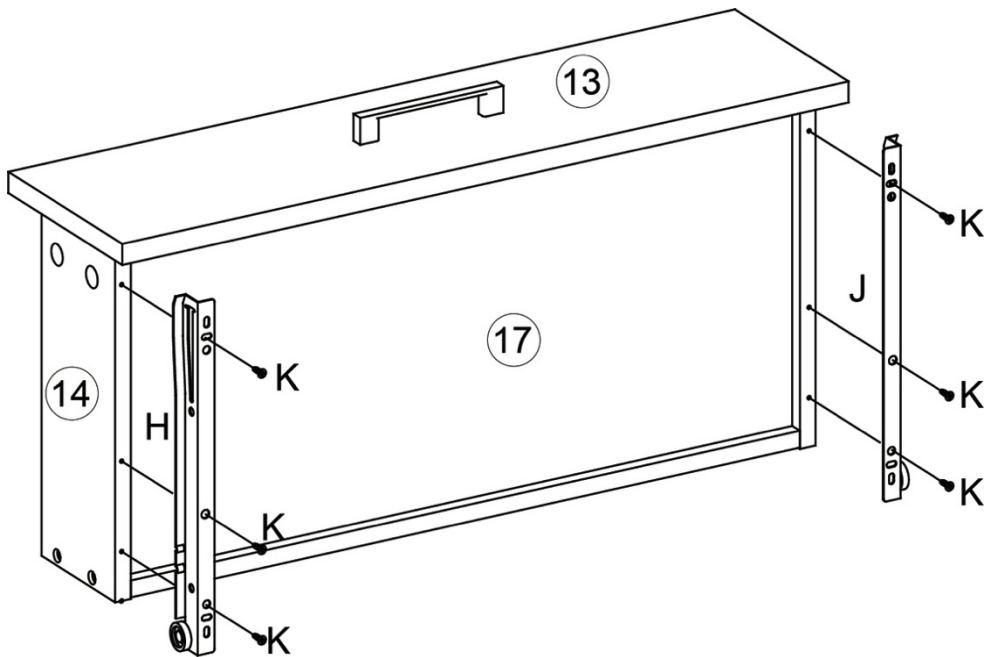
1. Attach drawer left side board (14) to drawer back board (16) by inserting 2 screws (S) through holes on drawer left side board (14), then tighten to drawer back board (16).
2. Attach drawer right side board (15) to drawer back board (16) by inserting 2 screws (S) through holes on drawer right side board (15), then tighten to drawer back board (16).

## STEP 6



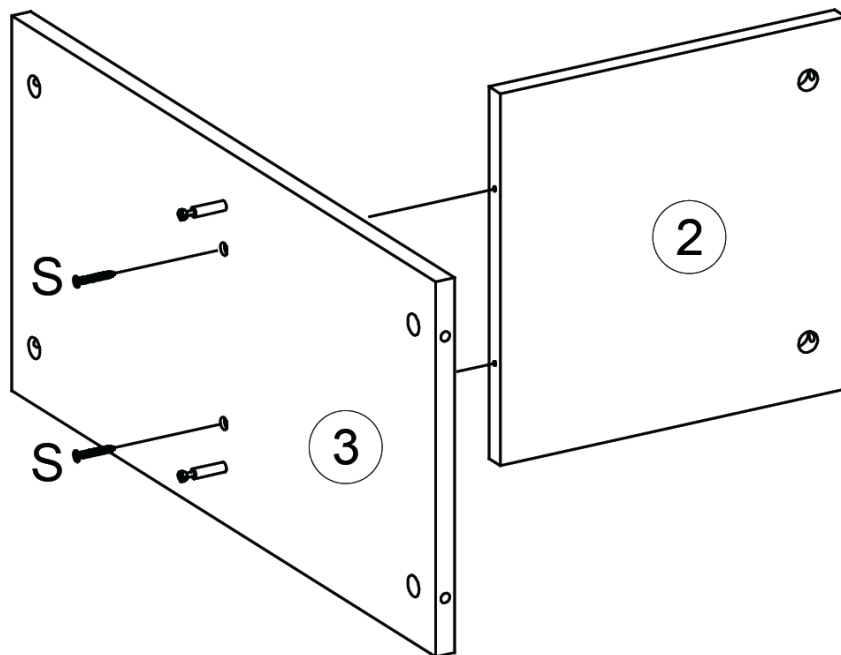
1. Slide drawer bottom board (17) into grooves on drawer left side board (14), drawer right side board (15) and drawer back board (16).
2. Attach drawer front board (13) to drawer left side board (14), drawer right side board (15) and drawer bottom board (17) by inserting 4 cam bolts (A) into cam lock holes on drawer left side board (14) and drawer right side board (15) and make sure bottom board (17) is in groove on drawer front board (13).
3. Insert 4 drawer cam locks (O) into cam lock holes on drawer left side board (14) and drawer right side board (15), then rotate clockwise to secure cam bolts in place.

## STEP 7



- I. Attach drawer slides attach to drawer left side (H) and drawer slides attach to drawer right side (J) to bottom of drawer by inserting 6 screws (K) through holes on drawer slides attach to drawer left side (H) and drawer slides attach to drawer right side (J), then tighten to the bottom of drawer.

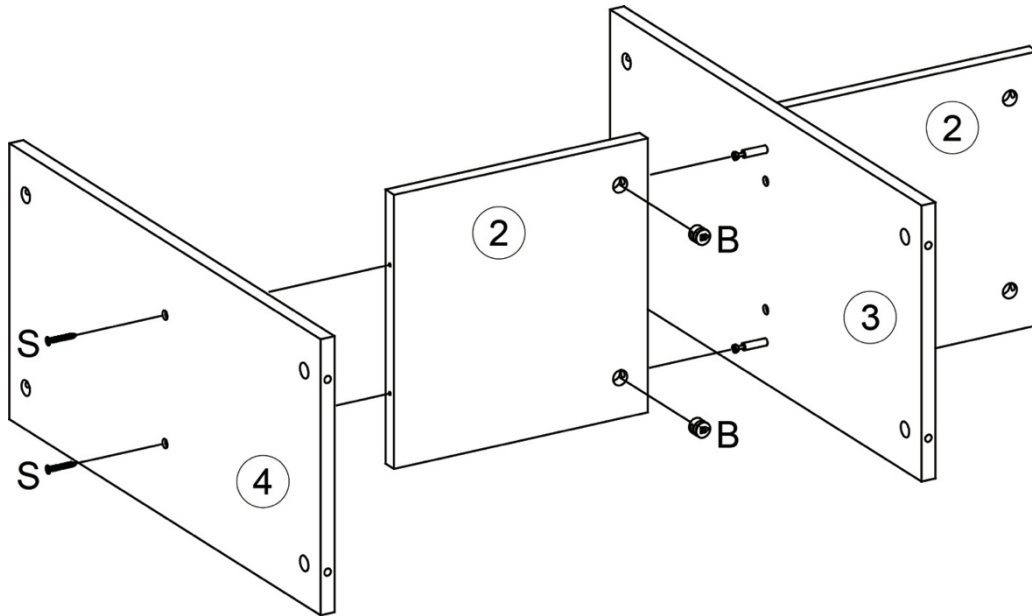
## STEP 8



- I. Attach top shelf (3) to divider board (2) by inserting 2 screws (S) through holes on top shelf (3), then tighten to secure divider board (2).

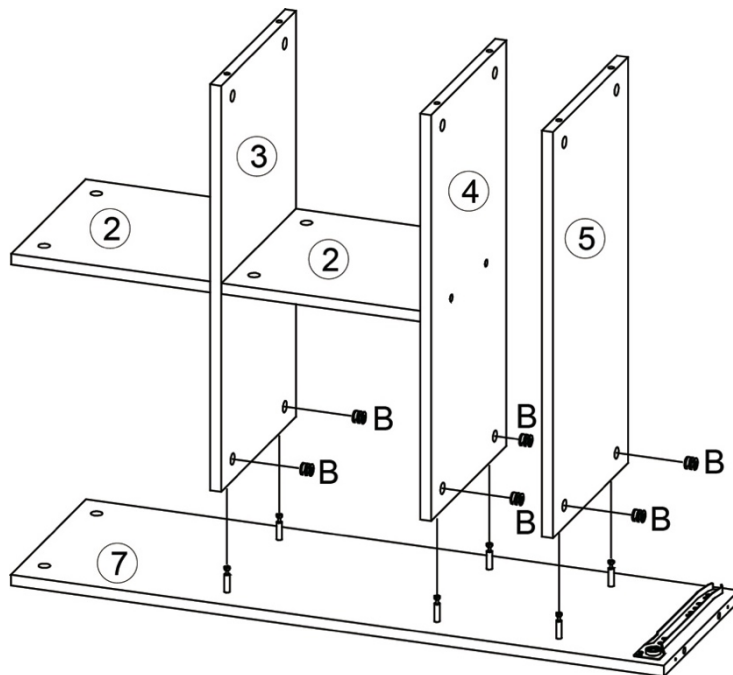


## STEP 9



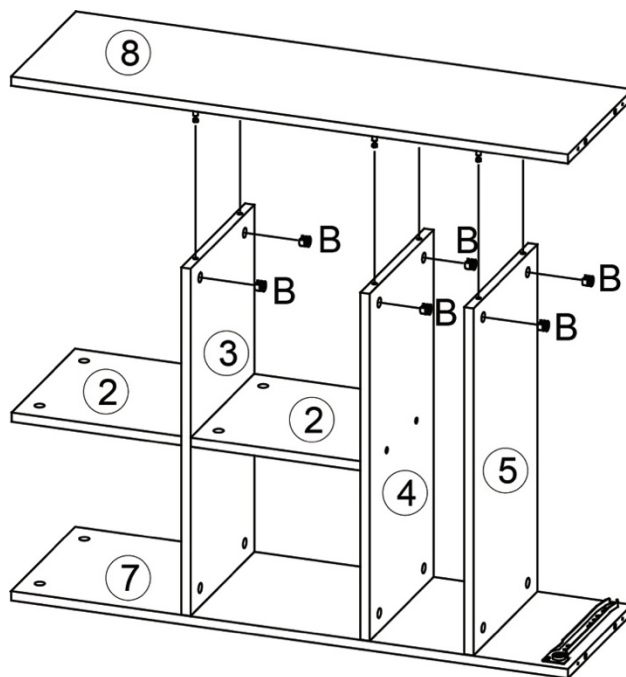
1. Attach another divider board (2) to top shelf (3) by inserting cam bolts (A) into cam lock holes on divider board (2).
2. Insert 2 cam locks (B) into cam lock holes on divider board (2), then rotate clockwise to secure cam bolts (A) in place.
3. Attach middle shelf (4) to divider board (2) by inserting 2 screws (S) through holes on middle shelf (4), then tighten to secure divider board (2).

## STEP 10



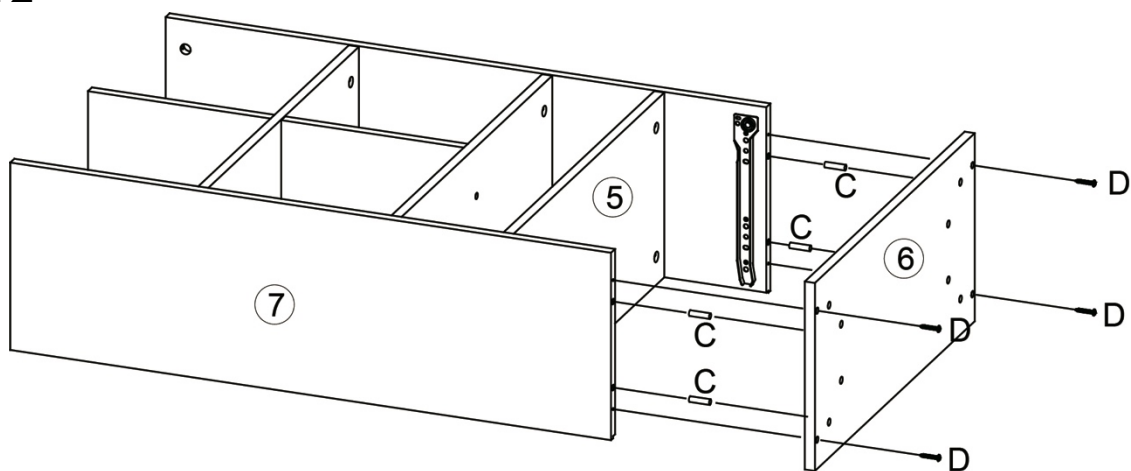
1. Attach pre-assembled top shelf (3) and middle shelf (4) to left side panel (7) by inserting cam bolts (A) into cam lock holes on top shelf (3) and middle shelf (4).
2. Insert 4 cam locks (B) into cam lock holes on top shelf (3) and middle shelf (4), then rotate clockwise to secure cam bolts in place.
3. Attach open shelf (5) to left side panel (7) by inserting cam bolts (A) into cam lock holes on open shelf (5).
4. Insert 2 cam locks (B) into cam lock holes on open shelf (5), then rotate clockwise to secure cam bolts in place.

## STEP 11



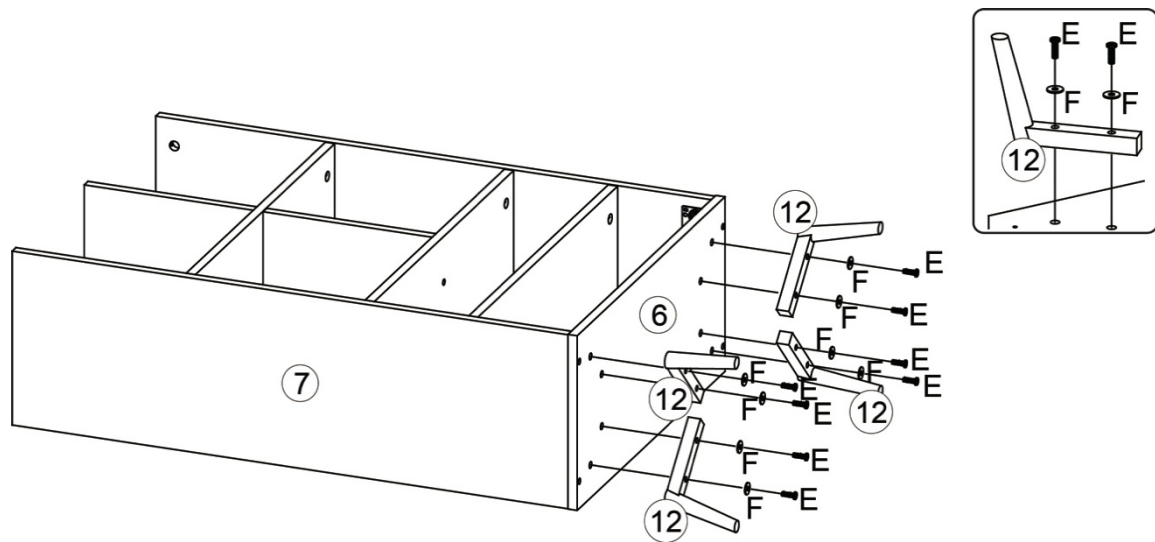
1. Attach right side panel (8) to top shelf (3), middle shelf (4) and open shelf (5) by inserting cam bolts (A) into cam lock holes on top shelf (3), middle shelf (4) and open shelf (5).
2. Insert 6 cam locks (B) into cam lock holes on top shelf (3), middle shelf (4) and open shelf (5), then rotate clockwise to secure cam bolts in place.

## STEP 12



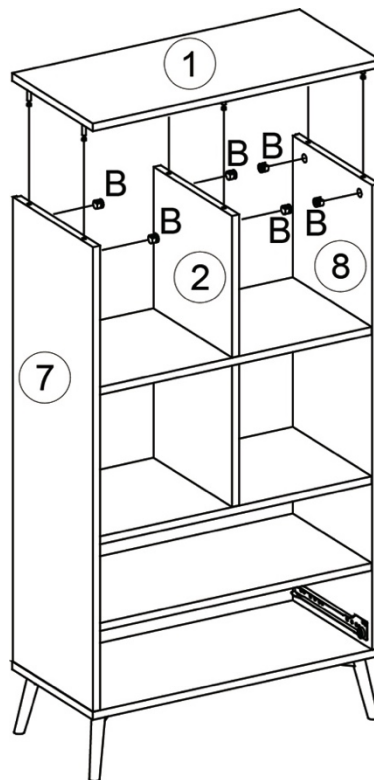
1. Insert 4 wood dowels (C) into wood dowel holes on left side panel (7) and right side panel (8).
2. Attach bottom board (6) to left side panel (7) and right side panel (8) by inserting wood dowels (C) into wood dowel holes on bottom board (6).
3. Insert 4 screws (D) through the holes on bottom board (6), then tighten to left side panel (7) and right side panel (8).

## STEP 13



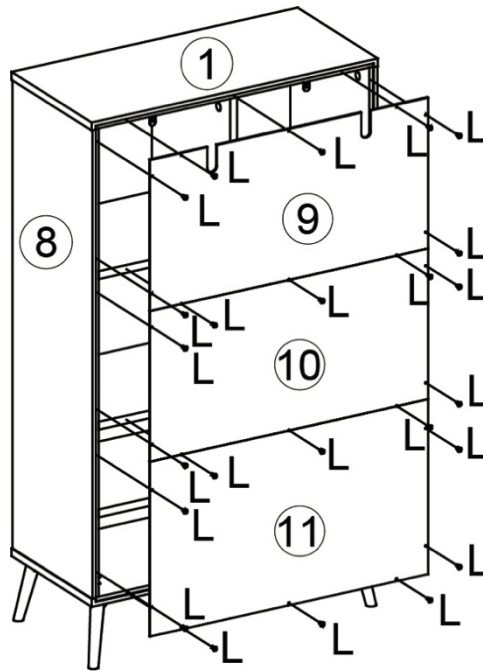
1. Attach 4 metal legs (12) to bottom board (6) by inserting 8 screws (E) through holes on shims (F), then through holes on metal legs (12) and tighten to bottom board (6).

## STEP 14



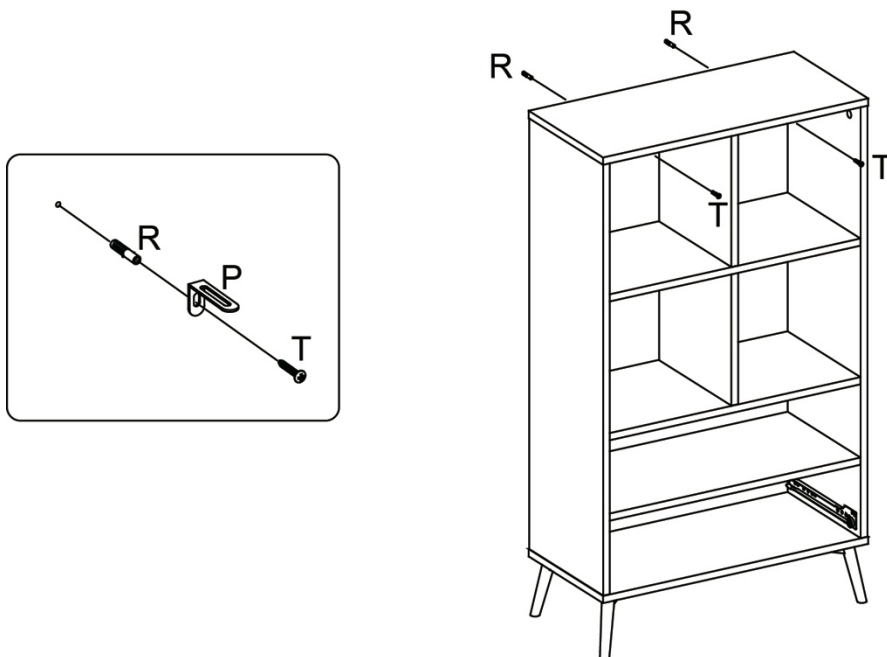
1. Attach top board (1) to left side panel (7), right side panel (8) and divider board (2) by inserting cam bolts into cam lock holes on left side panel (7), right side panel (8) and divider board (2).
2. Insert 6 cam locks (B) into cam lock holes on left side panel (7), right side panel (8) and divider board (2), then rotate clockwise to secure cam bolts in place.

## STEP 15



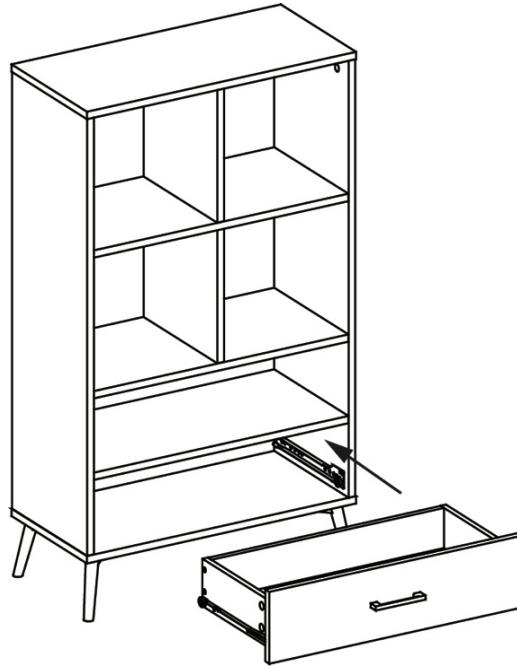
1. Attach upper back board (9), middle back board (10) and lower back board (11) to back of cabinet by inserting 24 screws (L) through holes on upper back board (9), middle back board (10) and lower back board (11), then tighten to back of cabinet.

## STEP 16



1. Place drawing with hole position on wall in desired position and drill holes on wall.
2. Insert 2 plastic anchors (R) into holes on wall.
3. Attach cabinet in place with holes, then insert screws (T) through holes on brackets (P) and tighten to plastic anchors (R) in wall.

## STEP 17

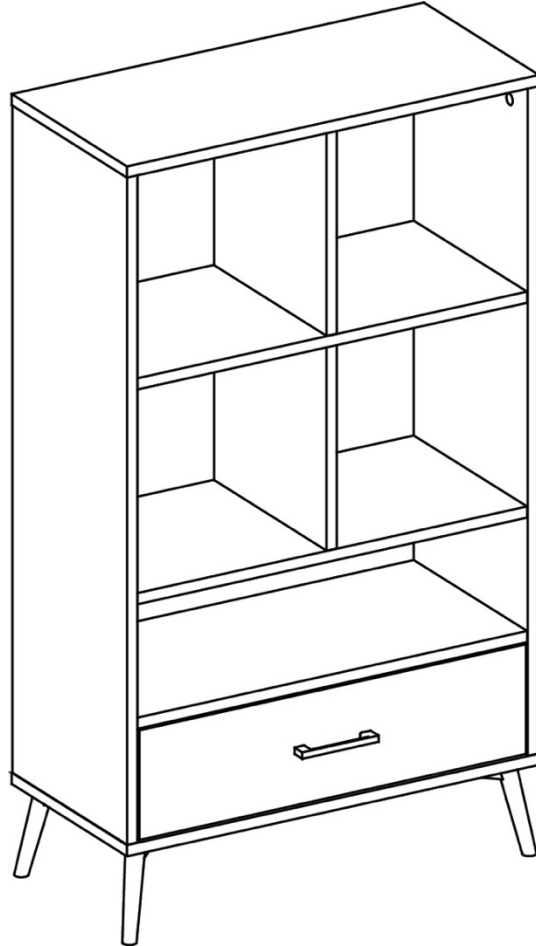


- I. Slide drawer into cabinet.

ATTENTION ADULTS: Cabinet should be checked periodically for damage or loose screws/parts. Take appropriate action necessary to correct hazards such as tightening of screws and taking any damaged parts away from children.

**WARNING**  **Please make sure your item is secured to the wall, per assembly instructions.**

**Enjoy your new RiverRidge® Cabinet!**



Thank you for purchasing this RiverRidge® Home item. We hope you enjoy it and consider purchasing other RiverRidge® items.

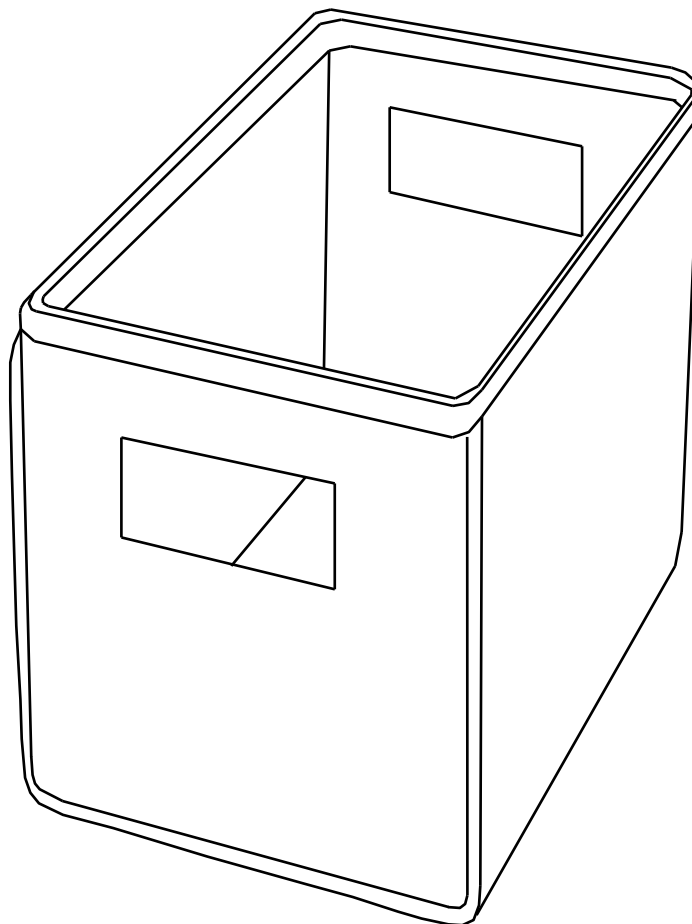
To order replacement parts at no cost to you, email [customer.service@ssi-rr.com](mailto:customer.service@ssi-rr.com), call 1-(844)-223-5201 or order parts online at [www.riverridgehome.com](http://www.riverridgehome.com)



RiverRidge® is a registered trademark of Sourcing Solutions, Inc., Hudson, WI 54016

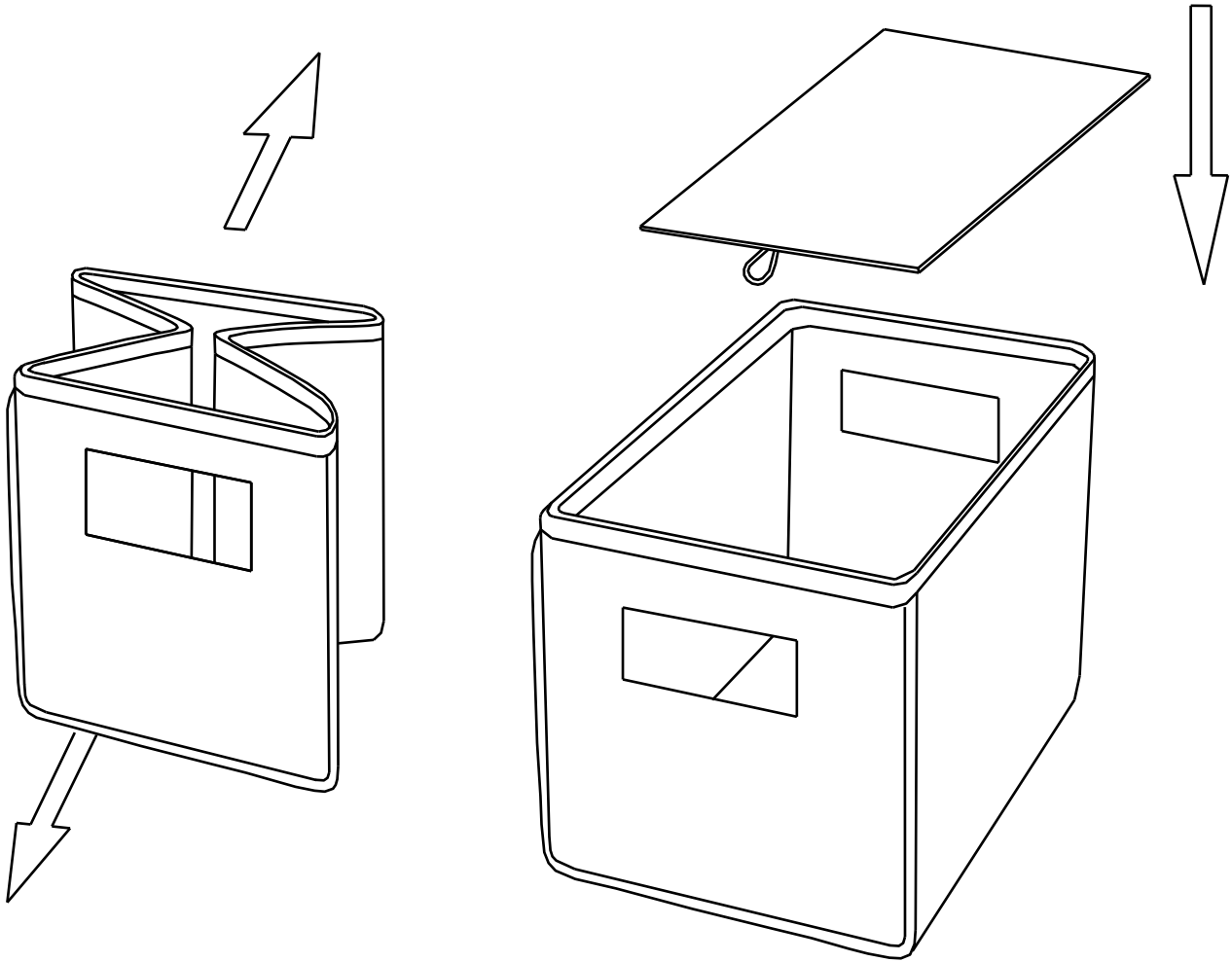


## **ASSEMBLY INSTRUCTIONS**



**RiverRidge® Kids Two Piece Folding Storage Bin**

**ADULT ASSEMBLY REQUIRED**



1. Take the bottom board out from the folded soft bin.
2. Open the folded storage bin, then put the bottom board into the soft bin. (making sure the cloth tab is facing up)

Thank you for purchasing this RiverRidge® Home item. We hope you enjoy it and consider purchasing other RiverRidge® items.

To order replacement parts at no cost to you, email [customer.service@ssi-rr.com](mailto:customer.service@ssi-rr.com), call 1-(844)-223-5201 or order parts online at [www.riverridgehome.com](http://www.riverridgehome.com)



RiverRidge® is a registered trademark of Sourcing Solutions, Inc., Hudson, WI 54016