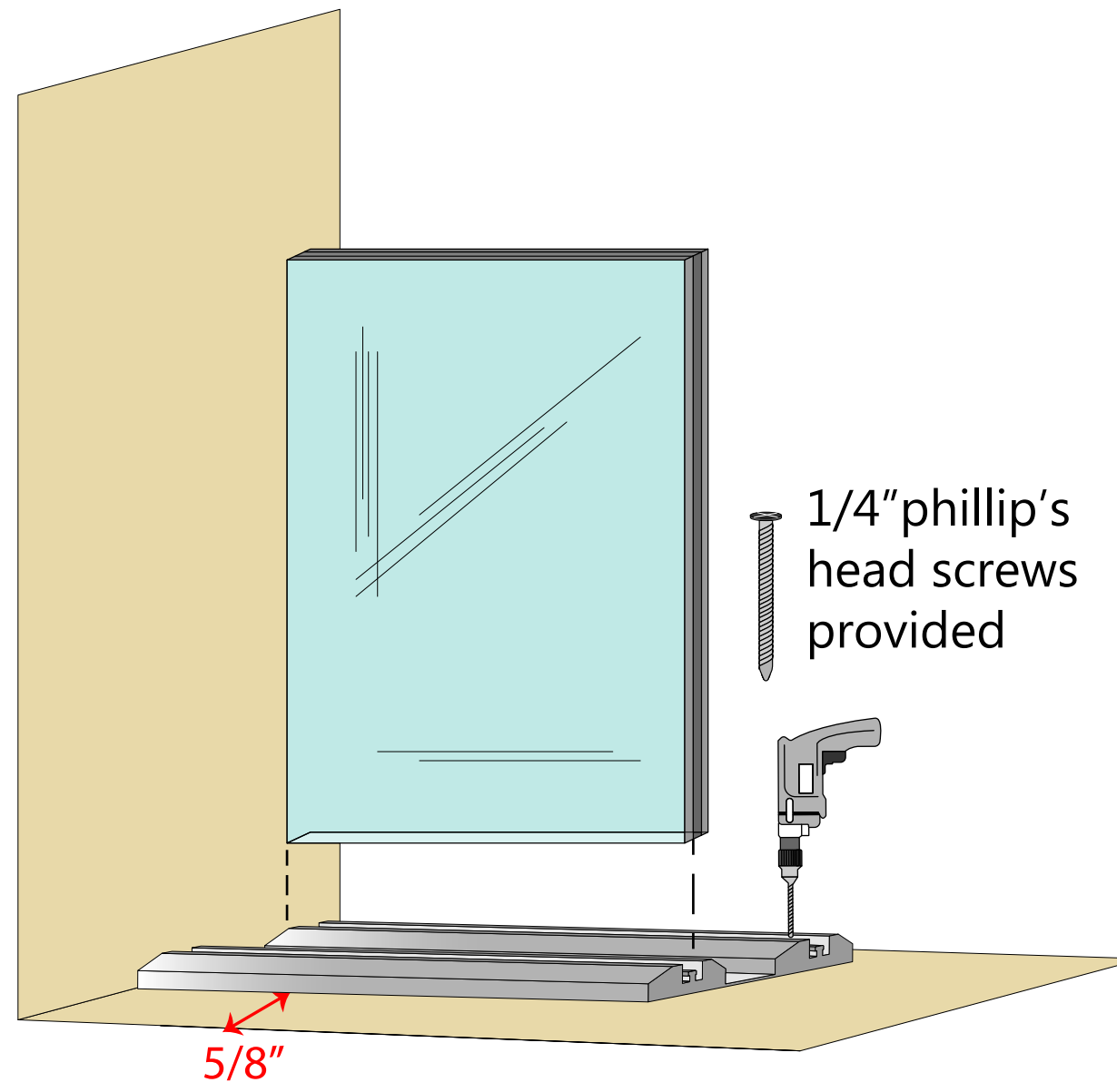
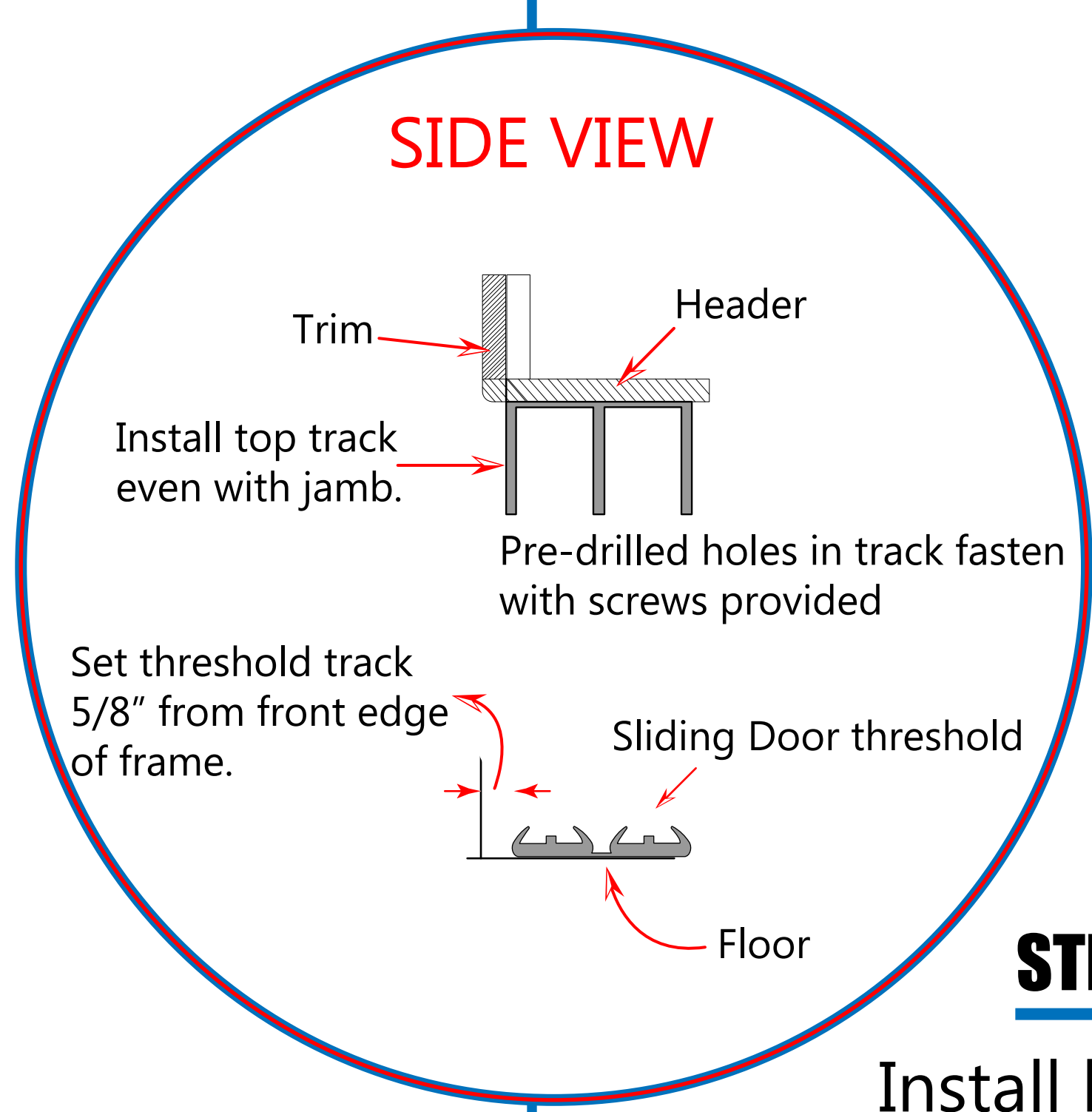
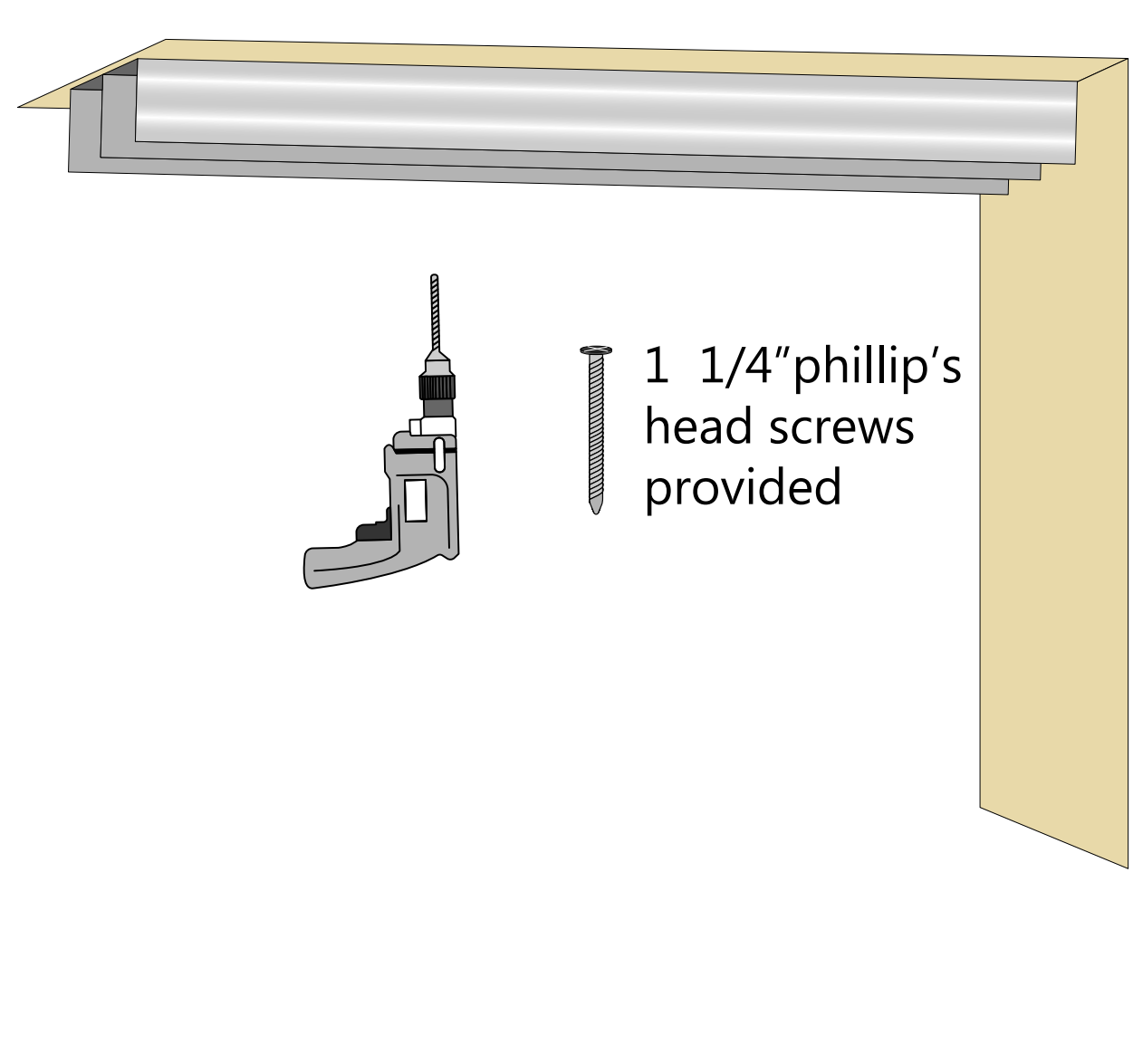
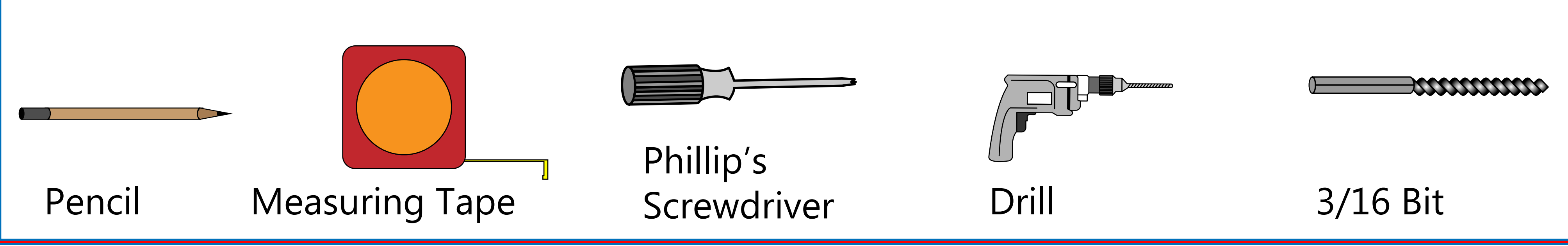


Sliding Door Installation Guide.

Thank you for your purchase.

TOOLS REQUIRED



STEP 1

Install top reversible track first using screws provided.

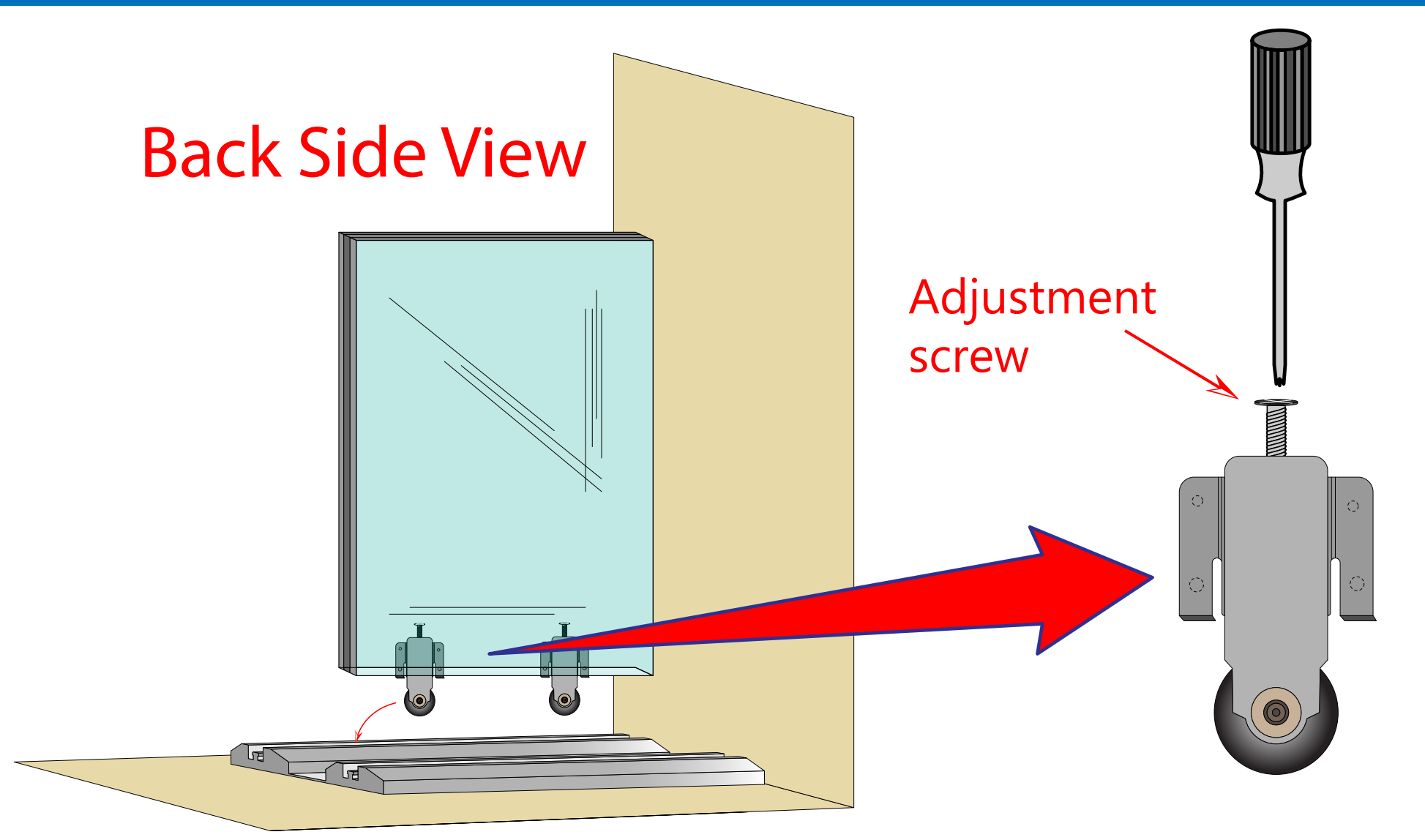
STEP 2

Install bottom threshold track 5/8" from front edge of frame.



STEP 3

Now you are all set to install the doors between the top & bottom tracks.



STEP 4

Now if required, you can make adjustments in height on bottom rollers using a screw driver.