



WALL FIXTURE

Instruction Manual

Please read carefully and save these instructions, as you may need them at a later date.

SAFETY

WARNING: BE SURE THE ELECTRICITY TO THE WIRES YOU ARE WORKING ON IS SHUT OFF; EITHER THE FUSE IS REMOVED OR THE CIRCUIT BREAKER IS TURNED OFF. TURNING THE POWER OFF USING THE LIGHT SWITCH IS NOT SUFFICIENT TO PREVENT ELECTRICAL SHOCK.

NOTE: The important safeguards and instructions appearing in this manual are not meant to cover all possible conditions or situations that may occur. It must be understood that common sense, caution, and care, are factors which cannot be built into any product. These factors must be supplied by the person(s) installing this unit.

READ & SAVE THESE INSTRUCTIONS

CAUTION: Before assembling the lighting fixture, refer to the section titled Wiring Connections. If you feel you do not have enough electrical wiring experience, either refer to a do-it-yourself wiring handbook or have your lighting fixture installed by a qualified, licensed electrician.

UNPACK THE PACKAGE

Check the contents to be sure everything is included

Tools Needed: Slotted screwdriver, Adjustable wrench, Step ladder, Wire cutters, Wiring supplies as required by electrical code.

INSTALLATION & OPERATION INSTRUCTIONS GENERAL

Before starting the installation, disconnect the power by turning off the circuit breaker or by removing the appropriate fuse at the fuse box. Turning the power off using the light switch is not sufficient to prevent electrical shock.

All electrical connections must be in accordance with local and National Electrical Code (NEC) standards. If you are unfamiliar with proper electrical wiring connections, obtain the services of a qualified electrician.

Remove the fixture and the mounting packages from the box and make sure that no parts are missing by referencing the illustrations on the installation instructions.

Be sure to read these installation instructions and review the diagrams thoroughly before installation.

Assembly and Installation

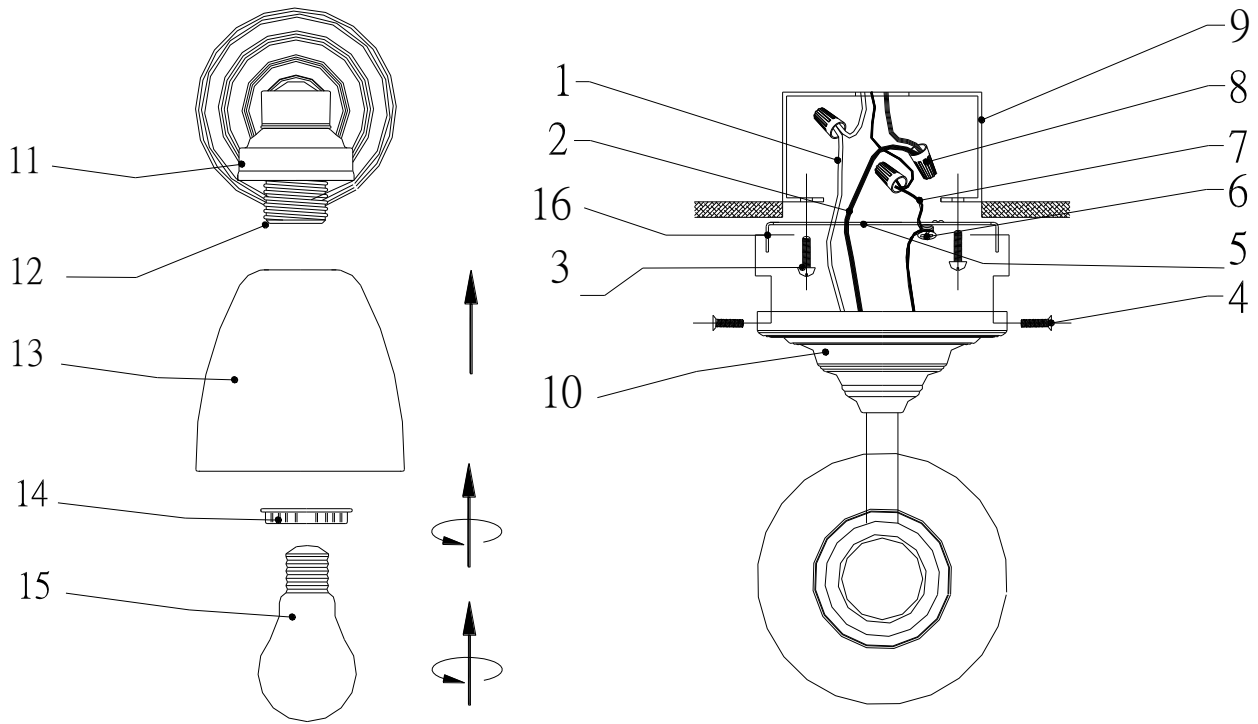
Thank you for purchasing a World Import Fixture. This wall fixture is suitable for wall mount.

1. Secure the mounting bracket (5) to the outlet box (9) using the two screws (5) provided. Make sure the mounting bracket tabs (16) are level for installing the canopy and glass shade.
2. **Wiring Connections:** Connect the black power supply wire to the black fixture wire (8) with a wire connector; and the power supply white neutral wire to the fixture white neutral wire (7) with a wire connector; Attach the copper ground wire (6) from the fixture to the green ground screw on the mounting bracket (3); Connect the power supply ground wire from the outlet box and the copper ground wire (6) from the fixture together with wire connector (9). Place the wire connections inside of the outlet box.
3. Attach the canopy (10) to the mounting bracket tabs (16) using the flat screws (4) provided.
4. Place the glass shade (14) onto the fitter (11) and tighten the socket ring (14) to secure the glass shade.
5. Insert the new bulb into the socket.

Relamping

1. Turn off the lamp at the switch and the main power supply.
2. Allow the fixture and bulb to cool before touching.
3. Remove glass shade
4. Remove the old bulb and insert a new T4 G8 base 50 watt bulb into the socket.
5. Re-attach the glass shade.
6. Restore the main power and turn on at the switch to check the operation of the bulb.

CAUTION: Refer to the relamping label near the lamp holder for recommended bulb type and maximum wattage allowed (bulb sold separately).



1. Fixture Neutral (white) wire
2. Fixture Live (black) wire
3. Screw
4. Flat screw
5. Mounting bracket
6. Ground screw
7. Fixture copper ground wire
8. Wire connector
9. Outlet box
10. Canopy
11. Fitter
12. Socket
13. Glass shade
14. Socket ring
15. Bulb
16. Mounting bracket tabs