

# HOME DECORATORS COLLECTION

---

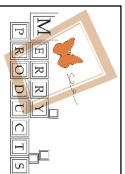
## BERMUDA COLLECTION

The Home Decorators Bermuda Collection has been conditioned for outdoor use. To maintain the beauty and life expectancy of the bench, it is highly recommended that you treat the bench with a weather proof coating once a year.

- When assembling The Home Decorators Bermuda Collection, please handle all panels and/or hardware with care to avoid any possibilities of damages and/or injuries.
- Cover furniture during harsh weather to keep it from weathering.
- Rinse any panels with water to clean.
- Keep small parts and pieces away from children until fully assembled.
- Please check for any loose screws and tighten them before you use.
- We recommend that the unit is fully assembled on a level surface.
- Two people are recommended to assemble this product.

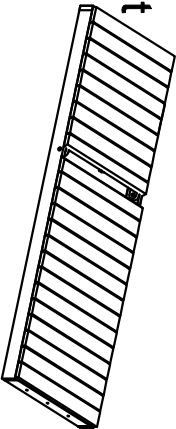





## ONE YEAR LIMITED MANUFACTURERS WARRANTY

Please check contents before assembly. If any items are missing or damaged, do not take the unit back to the store. Call (800) 245-2217 for customer service and we will save you time by correcting any problems directly for you.

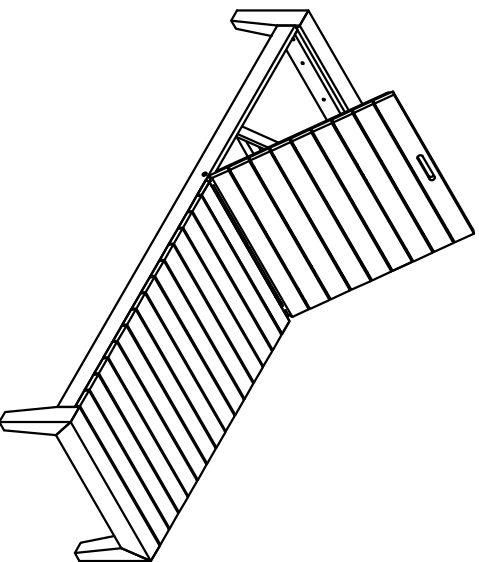


# ASSEMBLY INSTRUCTION

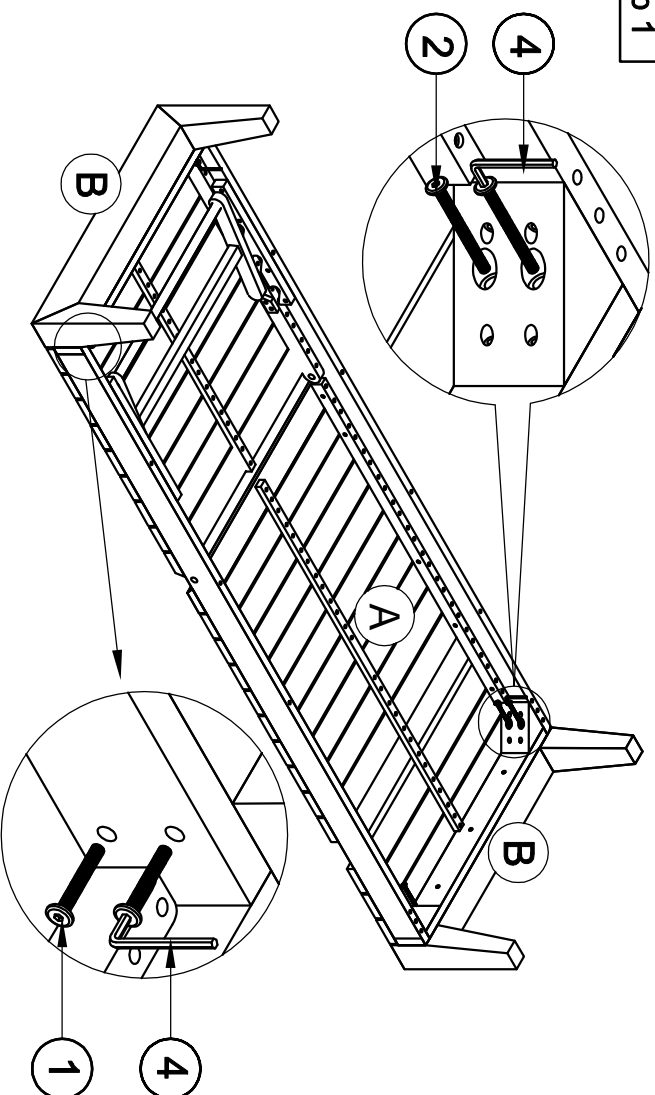
## CHAISE LOUNGE

No	Name of Component	Q.ty
A	Seat 	1
B	Legs 	2
No	Name of hardware	Q.ty
1	Both M8 x 40 	4
2	Both M8 x 70 	4
3	Screw 7x60x15 	6
4	Allen key 	2

Notes: Do not completely tighten any bolts and screws until the units is fully assembled and set on a level surface.



Step 1



Step 2

