



POWER EQUIPMENT CORPORATION
10-INCH PORTABLE CONTRACTOR TABLE SAW



Français (30)

Español (57)

www.DeltaMachinery.com

Instruction Manual

36-6010

⚠ WARNING: To reduce risk of serious injury, thoroughly read and comply with all warnings and instructions in this manual and on product.

KEEP THIS MANUAL NEAR YOUR SAW FOR EASY REFERENCE AND TO INSTRUCT OTHERS



TABLE OF CONTENTS

IMPORTANT SAFETY INSTRUCTIONS.....	3	Non-Through Cuts	19
Safety Logos	3	Dado Cuts	20
GENERAL POWER TOOL SAFETY RULES	3	USING CUTTING AIDS.....	20
TABLE SAW SAFETY RULES	5	Push Sticks	20
POWER CONNECTIONS	8	Auxiliary Miter Gage Facing	21
Power Source	8	Push Blocks	21
Extension Cords	8	Featherboards	22
UNPACKING	9	Cutoff Gauge	22
Components and Parts List	9	Jigs	22
Hardware Package	10	MAKING ADJUSTMENTS	23
ASSEMBLY	10	Leveling the Throat Plate	23
Blade and Guards	11	Squaring the Blade	23
On Board Storage	13	Adjusting the Bevel Stops	23
Height Adjustment	14	Adjusting the Blade Height	24
OPERATION.....	14	Changing the Bevel	24
MAKING CUTS	16	Using the Miter Gauge	24
Rip Cuts	17	Using the Rear Out-Feed Support	24
Bevel Rip Cuts	17	Lowering the riving knife	25
Cross-Cuts	18	Using the Table Extension	25
Bevel Cross-Cuts	18	Riving knife alignment	26
Miter Cuts	18	MAINTENANCE	27
Compound Miter Cuts	19	TROUBLESHOOTING	27
Large Panel Cuts	19	ACCESSORIES.....	27
		WARRANTY	28
		PARTS, SERVICES AND WARRANTY ASSISTANCE	28
		REPLACEMENT PARTS.....	28

FUNCTIONAL DESCRIPTION

The DELTA® #36-6010 series 10-inch Contractor Table Saw is designed for high quality performance. It includes: basic machine, sturdy tubular steel frame, integral 2 1/2" dust chute, a fence system, t-slot miter gage, 15-amp motor, on/off switch, cast aluminum table, extension wing, see-through blade guard with anti-kickback fingers, and 10-inch carbide blade.

SPECIFICATIONS

Max depth of cut at 90 degrees:	3-1/2"
Max depth of cut at 45 degrees:	2-1/2"
Max rip to right of blade:	30"
Max rip to left of blade:	9"
Max width of dado:	13/16" x 8 dia.
MOTOR SPECIFICATIONS:	
Amps	15 Amps
Voltage	120 Volts

NOTICE: The manual cover illustrates the current production model. All other illustrations contained in the manual are representative only and may not be exact depictions of the actual labeling or accessories included. They are intended for illustrative purposes only.

IMPORTANT SAFETY INSTRUCTIONS

⚠ WARNING: CAREFULLY READ AND FOLLOW ALL WARNINGS AND INSTRUCTIONS ON YOUR PRODUCT AND IN THIS MANUAL. SAVE THIS MANUAL. MAKE SURE ALL USERS ARE FAMILIAR WITH ITS WARNING AND INSTRUCTIONS WHEN USING THE TOOL. Improper operation, maintenance or modification of tools or equipment could result in serious injury and/or property damage.

If you have any questions or concerns relative to the use of your tool or the contents of this manual, stop using the tool and contact DELTA® Power Equipment Corporation Customer Care at 1-800-223-7278.

SAFETY LOGOS

The definitions below describe the level of severity for each signal word. Please read the manual and pay attention to these symbols.

⚠ DANGER: Indicates an imminently hazardous situation which, if not avoided, will result in death or serious injury.

⚠ WARNING: Indicates a potentially hazardous situation which, if not avoided, could result in death or serious injury.

⚠ CAUTION: Indicates a potentially hazardous situation which, if not avoided, may result in minor or moderate injury.

GENERAL POWER TOOL SAFETY RULES

⚠ WARNING: Failure to follow these rules may result in serious personal injury.

- 1. READ INSTRUCTION MANUAL AND KNOW YOUR TOOL.** Read and familiarize yourself with entire instruction manual. Learning the tool's proper applications, limitations, and specific potential hazards will greatly minimize the possibility of accidents and injury. Make sure all users are familiar with its warnings and instructions before using tool.
- 2. TO REDUCE THE RISK OF ELECTRIC SHOCK,** this equipment has a polarized plug (one blade is wider than the other). This plug will fit in a polarized outlet only one way. If the plug does not fit fully in the outlet, reverse the plug. If it still does not fit, contact a qualified electrician to install the proper outlet. Do not change the plug in any way."
- 3. KEEP GUARDS AND SAFETY DEVICES IN PLACE** and working properly.
- 4 REMOVE ADJUSTING KEYS AND WRENCHES.** Form habit of checking to see that all adjusting keys and wrenches are removed before starting tool.
- 5. KEEP WORK AREA CLEAN AND WELL LIT.** Cluttered or poorly-lit work areas, surfaces and benches can lead to accidents.
- 6. DO NOT USE OR STORE TOOL IN DANGEROUS ENVIRONMENTS.** Exposure to rain and damp or wet locations can result in shock or electrocution, or damage the tool. Do not operate electric tools near flammable liquids or in gaseous or explosive atmospheres. Motors and switches in these tools may spark and ignite fumes.
- 7. KEEP CHILDREN AND BYSTANDERS AWAY** from work area.
- 8. LOCK TOOLS AND WORK AREA.** Use padlocks, and master switches, or remove and store starter keys to prevent operation by children and other unauthorized users.
- 9. DO NOT FORCE TOOL OR WORKPIECE.** Operate tool at intended speed and feed rate for better and safer operation.
- 10. USE PROPER TOOL.** Do not force tool to do a task for which it was not designed.
- 11. DO NOT ABUSE POWER CORDS. NEVER** yank cord to disconnect from receptacle, crush cord, or expose it to heat, oil or sharp objects.
- 12. USE PROPER EXTENSION CORD.** If you use an extension cord, make sure it is in good condition and heavy enough to carry the current your product will draw. An undersized cord will cause a drop in line voltage, resulting in loss of power and overheating. See Extension Cord Chart for correct size depending on cord length and data plate ampere rating. If in doubt, use the next smaller gauge number. The smaller the gauge number, the heavier the cord. When working outside, make sure extension cord is rated for outdoor use. Consult power connection section of this manual for Extension Cord Chart and power connection safety.
- 13. SECURE WORKPIECE.** Use clamps or a vise to hold the workpiece when practical. It is safer than using your hands and frees both hands to operate tool.
- 14. DO NOT OVERREACH.** Keep proper footing and balance to maintain control.
- 15. MAINTAIN TOOLS WITH CARE.** Keep tools sharp and clean for best and safest performance. Follow instructions for lubricating and changing accessories.
- 16. DISCONNECT TOOL** from power source before servicing, adjusting or changing set-ups or blades, bits, cutters and other accessories.

continued on page 4

GENERAL POWER TOOL SAFETY RULES

17. **TO REDUCE RISK OF ACCIDENTAL STARTING,** make sure power switches are in “OFF” position before plugging tool in.
18. **Do not touch the plug’s metal prongs** when unplugging or plugging in the cord.
19. **USE RECOMMENDED ACCESSORIES.** Consult manual for recommended accessories. Use of inappropriate accessories may cause personal injury or property damage.
20. **NEVER STAND ON TOOL.** Serious injury could occur if the tool tips or if you unintentionally contact the cutting surface.
21. **CHECK TOOLS FOR DAMAGE.** Before using, and after tool or accessory has been dropped or damaged, check guards and affected parts for alignment of moving parts, binding of moving parts, breakage of parts, and any other condition that may affect its operation to make sure tool will operate properly and all parts will perform their intended function. **Do not** use a damaged product. A guard or any other part that is damaged should be properly repaired or replaced using factory-approved service parts.
22. **USE PROPER FEED DIRECTION.** Feed workpiece against the direction of rotation of the tool’s blade, cutter, or abrasive surface. Feeding in the other direction may cause the workpiece to be thrown at high speed.
23. **NEVER LEAVE TOOL RUNNING UNATTENDED. TURN POWER OFF.** Do not leave tool until it comes to a complete stop. In the event of a power failure, move switch to “OFF” position.
24. **STAY ALERT, WATCH WHAT YOU ARE DOING, AND USE COMMON SENSE.** Do not use power

tools when tired or under the influence of drugs, alcohol, or medication. A moment of inattention while operating power tools may result in injury.

25. **SERVICE PARTS.** Use only identical replacement parts when servicing your tool.
26. **WEAR PROPER APPAREL.** Do not wear loose clothing, gloves, neckties, rings, bracelets, or other jewelry which may get caught in moving parts. Nonslip protective footwear is recommended. Wear protective hair covering to contain long hair.
27. **WEAR PROPER EYE PROTECTION.** All persons in work area should wear safety glasses with side shields. Everyday eyeglasses with impact resistant lenses are not safety glasses. Eye equipment should comply with ANSI Z87.1 standards.
28. **HEARING PROTECTION.** All people in work area should wear proper hearing protection consistent with noise levels and exposure. Hearing equipment should comply with ANSI S3.19 standards.
29. **DUST PROTECTION.** Use of power tools can generate and/or disburse dust, which may cause serious and permanent respiratory or other injury, including silicosis (a serious lung disease), cancer, and death. Direct particles away from face and body. Always operate tool in well-ventilated area and provide for proper dust removal. Use dust collection system whenever possible. Avoid breathing dust and avoid prolonged contact with dust. Allowing dust to get into your mouth or eyes, or lay on your skin may promote absorption of harmful material. Use properly fitting NIOSH/OSHA approved respiratory protection appropriate for the dust exposure and wash exposed areas with soap and water.

PROPOSITION 65 WARNING: Dust created by power sanding, sawing, grinding, drilling, and other construction activities may contain chemicals known to the state of California to cause cancer, birth defects or other reproductive harm. Some examples are:

- Lead from lead-based paints
- Crystalline silica from bricks and cement and other masonry products
- Asbestos dust
- Arsenic and chromium from chemically-treated lumber

Your risk from these exposures varies depending on how often you do this type of work. To reduce your exposure to these chemicals: work in a well-ventilated area and work with approved safety equipment, such as dust masks that are specially designed to filter out microscopic particles.

SAVE THESE INSTRUCTIONS.

Refer to them often and use them to instruct others.

If tool is loaned to someone, also loan them these instructions.

TABLE SAW SAFETY RULES

⚠ WARNING: Failure to follow these rules may result in serious personal injury.

- **SEE GENERAL POWER TOOL SAFETY SECTION OF THIS MANUAL.** Read entire instruction manual before operating saw. Learning the saw's proper applications, limitations, and specific potential hazards will greatly minimize the possibility of accidents and injury. Make sure all users are familiar with its warnings and instructions before using saw.
- **SEE POWER CONNECTION SECTION OF THIS MANUAL** for instructions and warnings regarding power cords and connections.

TERMINOLOGY

The following terms will be used throughout the manual and you should become familiar with them.

- Through-cut refers to any cut that completely cuts through the workpiece.
- Non-through cut refers to any cut that does not completely cut through the workpiece.
- Push stick refers to a wooden or plastic stick, usually homemade, that is used to push a small workpiece through the saw and keeps the operator's hands clear of the blade. (See Illustration 18 on Page 20)
- Kickback occurs when the saw blade binds in the cut or between the blade and the fence and thrusts the workpiece back toward the operator.
- Freehand refers to cutting without the use of a miter gauge or rip fence or any other means of guiding or holding the workpiece other than the operator's hand.
- Plunge cutting refers to blind cuts in the workpiece made by either raising the blade through the workpiece or lowering the workpiece down to the blade.
- Re-sawing – Flipping material to make a cut the saw is not capable of making in one pass.
- Cove cutting – Also known as coving, cove cutting is an operation where the work is fed at an angle across the blade.

⚠ WARNING: Failure to follow these rules may result in serious personal injury.

1. **NEVER** Perform freehand cutting, plunge cutting, resawing, or cove cutting.
2. **WEAR EYE PROTECTION**, appropriate apparel, hearing protection and dust protection as specified in the General Power Tool Safety Section of this manual.
3. **USE SAW BLADE GUARD, RIVING KNIFE AND ANTI-KICKBACK PAWLS.** Your saw is equipped with a modular blade guard, riving knife and anti-kickback pawl assembly, each component of which should be used for every possible operation, including all through cuts. This assembly is discussed in more detail below. Make sure components are securely installed prior to operation.
4. **KEEP HANDS AND OTHER BODY PARTS OUT OF THE BLADE PATH. NEVER** have any part of your body in line with the path of the saw blade.
5. **USE A PUSH STICK** that is appropriate to the application to push and hold down a workpiece through the completion of the cut. A push stick is a wooden or plastic stick, usually homemade, that should be used whenever the size or shape of the workpiece would cause you to place your hands within 6 in. (152 mm) of the blade. Instructions for making a push stick are included in this manual.
6. **AVOID KICKBACK.** Pay particular attention to instructions (below) for reducing risk of kickback.
7. **NO FREEHAND CUTS.** Always use a rip fence, miter gauge, or other appropriate devices to guide or hold down the workpiece. Use hold-downs, jigs, fixtures or feather boards to help guide and control the workpiece. Accessories for use with your saw are available at extra cost from your local dealer or authorized service center.
8. **DO NOT USE RIP FENCE AND MITER GAUGE AT THE SAME TIME.**
9. **DO NOT REACH OVER/REACH AROUND.** Never reach over, in back of, or around the cutting tool with either hand while the blade is in motion.
10. **STABILITY.** Make sure table saw is properly assembled and located on a stable surface before use to keep saw from moving during cut.
11. **PROPER ASSEMBLY.** Do not operate this saw until it is completely assembled and installed according to the instructions.
12. **CHECK WORKPIECE AND SET-UP** before each operation. Knots, irregularities, or nails in workpiece and positioning mistakes or incomplete set-up may interfere with or affect saw performance and personal safety.
13. **USE PROPER THROAT PLATE.** The proper throat plate must be in place and properly secured at all times to reduce the risk of a thrown workpiece and possible injury.
14. **USE CORRECT BLADE AND RIVING KNIFE** for the intended operation. The blade must be installed so the points of the teeth are pointing toward the front of the saw. Do not use oversized blade or blade with incorrect arbor opening. Always tighten the blade arbor nut securely. Before use, inspect the blade for cracks or missing teeth. Do not use a damaged or dull blade. Always use blade within the thickness range for which the riving knife is designed.

TABLE SAW SAFETY RULES (continued)

15. **AVOID AWKWARD OPERATIONS AND HAND POSITIONS** where a sudden slip could cause a hand to move into a saw blade. Operate with table at or near waist level for maximum balance and control. Anticipate effect of workpiece size on your ability to adjust position and maintain control through completion of cut.
16. **KEEP ARMS, HANDS AND FINGERS AT LEAST SIX INCHES AWAY FROM THE BLADE.**
17. **NEVER CUT METALS, CEMENT BOARD OR MASONRY.** Certain man-made materials have special instructions for cutting on table saws. Follow the manufacturer's recommendations at all times.
18. **NEVER ATTEMPT TO FREE A STALLED BLADE OR TRAPPED WORKPIECE** without first turning the machine off and disconnecting the saw from the power source.
19. **NEVER START THE MACHINE WITH THE WORKPIECE AGAINST THE BLADE** to reduce the risk of a thrown workpiece.
20. **NEVER PERFORM LAYOUT, ASSEMBLY OR SET-UP WORK ON THE TABLE/WORK AREA** when the saw is running.
21. **BEFORE LEAVING THE SAW**, wait for the blade to come to a complete stop, then disconnect from the power source, clean the table and work area, and lock out switch to prevent unauthorized use.
22. **SUPPORT YOUR WORKPIECE** based on its size and the type of operation to be performed. Hold the work firmly against the fence and down against the table surface. Do not leave a wide panel or long board (or other large workpiece) unsupported – the weight of the board may cause it to shift on the table resulting in loss of control.
23. **AN UNFAMILIAR NOISE OR EXCESSIVE VIBRATION** may indicate a problem with your saw. If this happens, turn it off and disconnect it from the power source until the problem has been located and corrected. Contact customer service for assistance if the problem cannot be solved.
24. **OBTAIN ADVICE** from your supervisor, instructor, or another qualified person if you are not thoroughly familiar with the operation of this machine. Knowledge is safety.

SAW BLADE GUARD, ANTI-KICKBACK PAWLS AND RIVING KNIFE ASSEMBLY

Your table saw is equipped with a blade guard, anti-kickback pawls and riving knife assembly that covers the blade and reduces the possibility of accidental blade contact. The riving knife is a flat plate that fits into the cut made by the saw blade and effectively fights kickback by lessening the tendency of the blade to bind in the cut. Two anti-kickback pawls are located on the sides of the riving knife that allow the wood to pass through the blade in the cutting direction but reduce the possibility of the material being thrown backwards toward the operator. The blade guard and anti-kickback pawls can only be used when making through cuts that sever the wood. When making rabbets and other non-through cuts, the blade guard and anti-kickback pawls must be removed and riving

knife lowered to the non-through cut position marked on the riving knife.

Use all components of the guarding system (blade guard assembly, riving knife and anti-kickback pawls) for every operation for which they can be used including all through-cutting. If you elect not to use any of these components for a particular application, exercise additional caution regarding control of the workpiece, the use of push sticks, the position of your hands relative to the blade, the use of safety glasses, the means to avoid kickback and all other warnings contained in this manual and on the saw itself. Replace the guarding systems as soon as you return to through-cutting operations. Keep the guard assembly in working order.

MAKING A PUSH STICK

In order to operate your table saw safely, you must use a push stick whenever the size or shape of the workpiece would otherwise cause your hands to be within 6 inches (152 mm) of the saw blade or other cutter. A push stick is included with this saw.

No special wood is needed to make additional push sticks as long as they are sturdy and long enough and the wood is free of knots, checks and cracks. A length of 16 inches (400 mm) is recommended with a notch that fits against the edge of the workpiece to prevent slipping. It's a good idea to have several push

sticks of the same minimum length, 16 inches (400 mm), with different size notches for different workpiece thicknesses.

The shape can vary to suit your own needs as long as it performs its intended function of keeping your hands away from the blade. Angling the notch so the push stick can be held at a 20- to 30-degree angle from the saw's table will help you to hold down the workpiece while also moving it through the saw. Refer to diagram in cutting aids section on page 20 of this manual.

TABLE SAW SAFETY RULES (continued)

KICKBACKS

Kickbacks can cause serious injury. A kickback occurs when a part of the workpiece binds between the saw blade and the rip fence, or other fixed object, and rises from the table and is thrown toward the operator. Kickbacks can be avoided by attention to the following conditions.

How to reduce the risk of kickbacks and protect yourself from possible injury:

- Be certain that the rip fence is parallel to the saw blade.
- **DO NOT** rip by applying the feed force to the section of the workpiece that will become the cut-off (free) piece. Feed force when ripping should always be applied between the saw blade and the fence; use a push stick for narrow work, 6 inches (152 mm) wide or less.
- Keep saw blade guard, riving knife and anti-kickback assembly in place and operating properly. The riving knife must be in alignment with the saw blade and the anti-kickback assembly must stop a kickback once it has started. Check their action before ripping by pushing the wood under the anti-kickback assembly. The teeth must prevent the wood from being pulled toward the front of the saw. If any part of assembly is not operational, return to the nearest authorized service center for repair.
- Plastic and composite materials (like hardboard) may be cut on your saw. However, since these are usually quite hard and slippery, the anti-kickback pawls may not stop a kickback. Therefore, be especially attentive to following proper set up and cutting procedures for ripping.
- Use saw blade guard, anti-kickback pawls, and riving knife assembly for every possible operation, including all through-cut sawing.
- Push the workpiece past the saw blade prior to releasing control.
- **NEVER** rip a workpiece that is twisted or warped, or does not have a straight edge to guide along the fence.
- **NEVER** saw a large workpiece that cannot be controlled.
- **NEVER** use the fence as a guide or length stop when crosscutting.
- **NEVER** saw a workpiece with loose knots, flaws, nails or other foreign objects.
- **NEVER** rip a workpiece shorter than 10 inches (254 mm).
- **NEVER** use a dull blade. A dull blade should be replaced or re-sharpened.

POWER CONNECTIONS

POWER SOURCE

This saw is equipped with a 15-amp motor for use with a 120-volt, 60-HZ alternating current. See instructions below regarding proper connections for your saw as wired.

For voltage, the wiring in a shop is as important as the motor's rating. A line intended only for lights may not be able to properly carry the current needed for a power tool motor; wire that is heavy enough for a short distance may be too light for a greater distance; and a line that can support one power tool may not be able to support two or three.

A separate electrical circuit should be used for your machines. This circuit should not be less than #12 wire and should be protected with a 20-amp time lag fuse. If an extension cord is used, use only 3-wire extension cords which have 3-prong grounding-type plugs and matching receptacle which will accept the machine's plug. Before connecting the machine to the power line, make sure the switch (s) is in the "OFF" position and be sure that the electric current is of the same characteristics as indicated on the machine. A substantial voltage drop will cause a loss of power and overheat the motor. It may also damage the machine.

⚠ DANGER: DO NOT EXPOSE THE MACHINE TO RAIN OR OPERATE THE MACHINE IN DAMP LOCATIONS.

EXTENSION CORDS

⚠ DANGER: Never use a damaged extension cord. Check extension cords before each use. If damaged, replace immediately. Touching the damaged area could cause electrical shock resulting in serious injury.

⚠ CAUTION: Keep the extension cord clear of the work area. Position the cord so it will not get caught on lumber, tools or other obstructions

- Use proper extension cords. When using an extension cord, be sure to use one heavy enough to carry the current of the machine. An undersized cord will cause a drop in line voltage, resulting in loss of power and overheating. The table shows the maximum gauge to use depending on the cord length. If in doubt, use the next heavier gauge. The smaller the gauge number, the heavier the cord. Only round, jacketed cords listed by Underwriter's Laboratories (UL) should be used.

MINIMUM GAUGE EXTENSION CORD RECOMMENDED SIZES FOR USE WITH STATIONARY ELECTRIC MACHINES			
Ampere Rating	Volts	Total Length of Cord in Feet	Gauge of Extension Cord
0-6	120	up to 25	18 AWG
0-6	120	25-50	16 AWG
0-6	120	50-100	16 AWG
0-6	120	100-150	14 AWG
6-10	120	up to 25	18 AWG
6-10	120	25-50	16 AWG
6-10	120	50-100	14 AWG
6-10	120	100-150	12 AWG
10-12	120	up to 25	16 AWG
10-12	120	25-50	16 AWG
10-12	120	50-100	14 AWG
10-12	120	100-150	12 AWG
12-16	120	up to 25	14 AWG
12-16	120	25-50	12 AWG
12-16	120	GREATER THAN 50 FEET NOT RECOMMENDED	

UNPACKING

⚠ WARNING:

- The machine is heavy, two people are required to unpack and lift.
- Use a safety strap to avoid tip over when lifting machine.
- Prior to tool assembly and use, read this manual thoroughly to familiarize yourself with proper assembly, maintenance and safety procedures.

Check shipping carton and machine for damage before unpacking. Carefully remove components in top foam layer. Remove the top layer of foam then remove all components in the bottom layer of foam. Lay out all parts on a piece of cardboard or other clean, flat surface. Two or more people are needed to lift the saw out of the carton. Always check for and remove protective shipping materials around motors

and moving parts. Do not discard shipping carton and packing materials until you have carefully inspected the contents, assembled the machine and are satisfied that it operates correctly.

Compare package contents to Component Parts List and Hardware Package List prior to assembly to make sure all items are present. Carefully inspect parts to make sure no damage occurred during shipping. If any parts are missing, damaged or preassembled, do not assemble. Instead, call DELTA® Customer Care at 1-800-223-7278 for assistance.

After assembly remove any protective materials and coatings from all of the parts and the table saw. The protective coatings can be removed by spraying WD-40® on them and wiping them off with a soft cloth. This may need to be redone several times before all of the protective coatings are removed completely.

SHIPPING CONTENTS

- A. Delta 36-6010 10-inch saw
- B. Fence
- C. 10-inch saw blade
- D. Anti-Kickback pawls
- E. Blade guard
- F. Throat plate
- G. Miter Gauge

The following items can be found in their respective storage areas located on the saw:

- a. Blade wrenches (2)
- b. Push Stick



UNPACKING (continued)

CONTENTS OF HARDWARE BAG

Description (QTY)

- A. 5MM Allen Wrench (1)
- B. M6 x 20 Button Head Hex Socket Screw (2)
- C. Wheel Handle Shoulder Screw (1)
- D. Height adjustment wheel knob



A



B



C



D

ASSEMBLY

⚠ CAUTION:

- Do not lift saw without help. Hold it close to your body while lifting. Keep knees bent and lift with your legs, not your back.
- Fully assemble saw with leg assembly prior to use.
- Leg assembly is an integral and necessary part of the support structure for this saw.
- Do not modify saw, or create accessories not recommended for use with this saw.

- Make sure power switch is in “OFF” position before connecting to power supply. Do not connect to power supply until assembly is complete

⚠ CAUTION:

- Avoid contact with blade teeth. Keep blade stored or lowered when possible.

BLADE AND GUARDS

Attach the Blade

Install height adjustment knob as shown on pg. 14 Fig. 1 and raise motor/arbor assembly to the upper most position to provide easy access to riving knife lock knob and arbor assembly.

Remove the riving knife by loosening the riving knife lock knob (A) until it stops. Push the spring-loaded lock knob in and remove the riving knife by pulling it up and towards the front of the saw. (B)

See Figure 1.

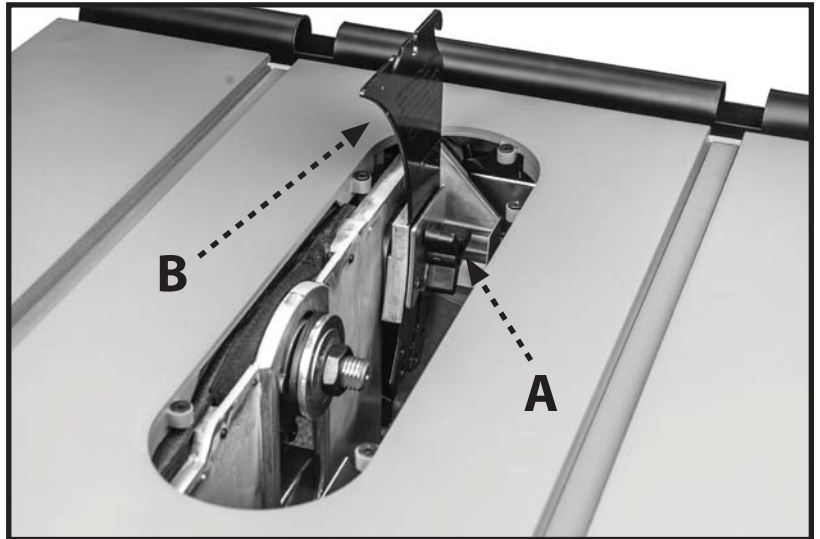


FIGURE 1

Detach the on-board wrenches located on the right side of the saw by loosening and removing the M8 wing nut.

Place the open-ended wrench (A) on the spindle shoulder between the arbor flange and inner flange. Place the closed end wrench over the arbor nut. (B) Holding the spindle shaft in place, loosen and remove the arbor nut and arbor flange.

See Figure 2



FIGURE 2

Place the blade on the arbor shaft with the front teeth facing down. (A) (The label on the blade should be on the left)

Replace the arbor flange and secure the arbor nut using both wrenches.

Replace the riving knife.

Replace the on-board wrenches and attach to the saw and secure with the wing nut.

See Figure 3

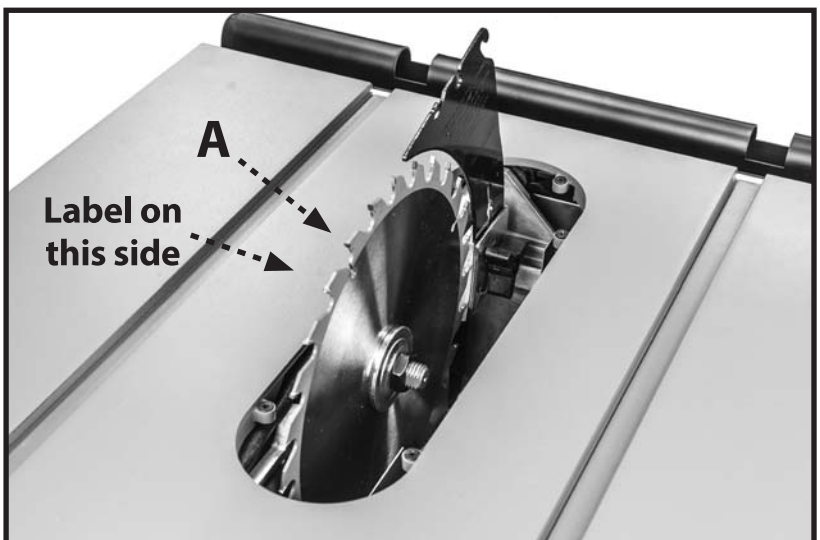


FIGURE 3

ASSEMBLY (continued)

Insert Throat Plate

Refer to Figure 4.

Place the throat plate in place with the wear plate (A) on the rear.

Engage the rear tab on the throat plate with the table and press the front end down until the front tab (B) engages with the table.

Level the throat plate to the table top using (4) flat head screws. See Figure 24 on page 23.

NOTE: There is a fifth flat head screw under the throat plate that is adjusted to provide support under the wear plate. Adjust this screw as needed to provide support.

NOTE: Do not attempt to secure the throat plate to the table using the throat plate levelling screws.

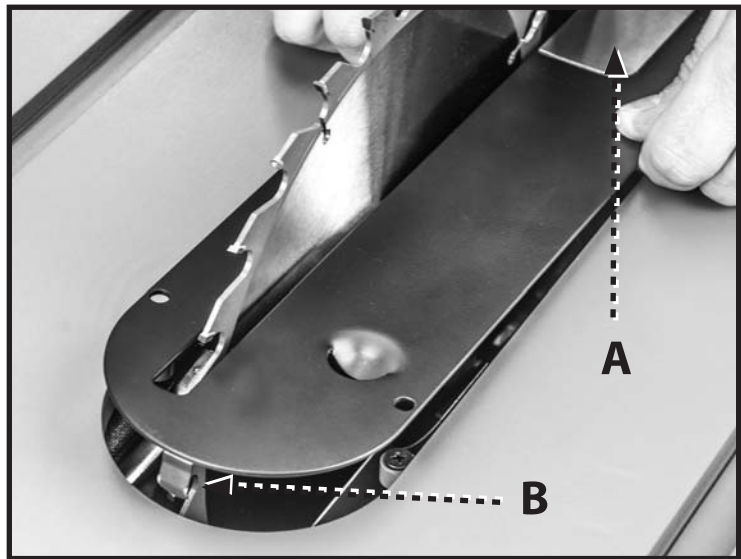


FIGURE 4

Anti-Kickback Pawls and Blade Guard

Insert the pawl assembly over the rearmost slot on the riving knife (A) as shown in Figure 5 and press the spring-loaded pin (B) on the right side of the pawl assembly.

Once inserted, release the spring-loaded pin so that it pops back into place. Ensure it is locked in place.

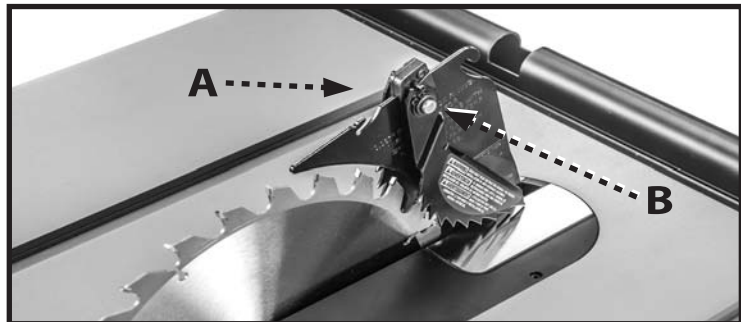


FIGURE 5

Hold the blade guard assembly as shown in Figure 6 and engage the pin (A) with the slot in the riving knife (B). Pull blade guard assembly up in to place.

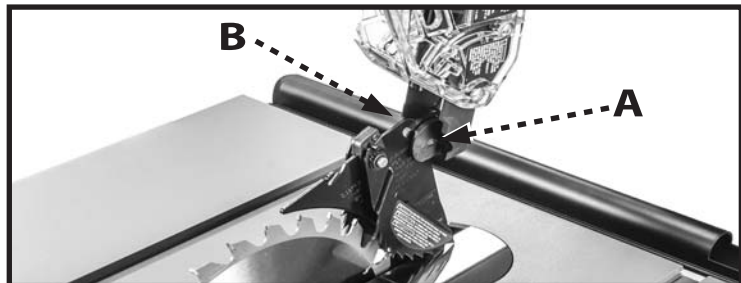


FIGURE 6

Rotate the blade guards so that the support arms (A) are parallel to the table. Then lock the blade guard in place by depressing the lock tab. (B)

See Figure 7.



FIGURE 7

ASSEMBLY (continued)

Out-Feed Support Stops

Refer to Figure 8.

Extend the rear table extension to expose the two holes (A). Insert an M6 x 20 button head hex socket screw (B) from underneath, tighten with the supplied 5MM Allen wrench.

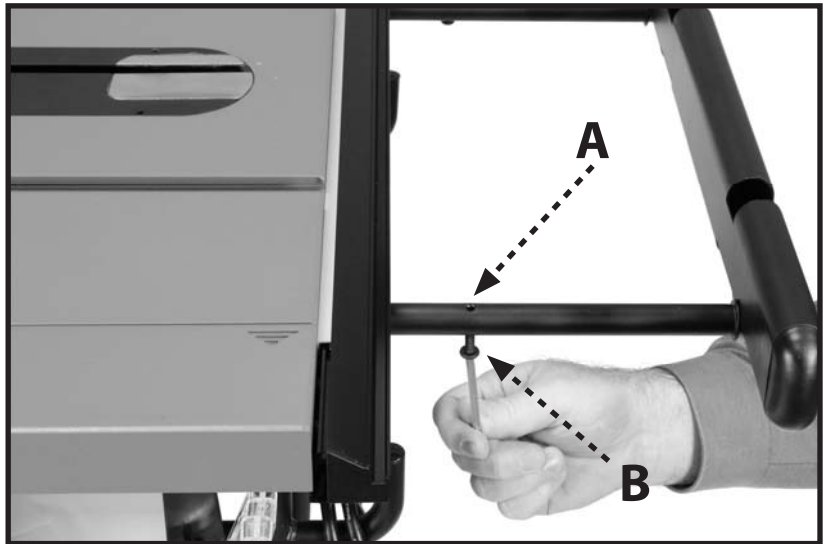


FIGURE 8

Fence

Position the fence over the front (A) and rear (B) rails. Ensure the fence locks (C) are in the unlocked (up) position.

Lower the rear end of the fence onto the rear rail and ensure the locking tab on the fence fits underneath the rear rail. Repeat for the front rail.

Depress both fence locks to tighten the fence into place.

See Figure 9.

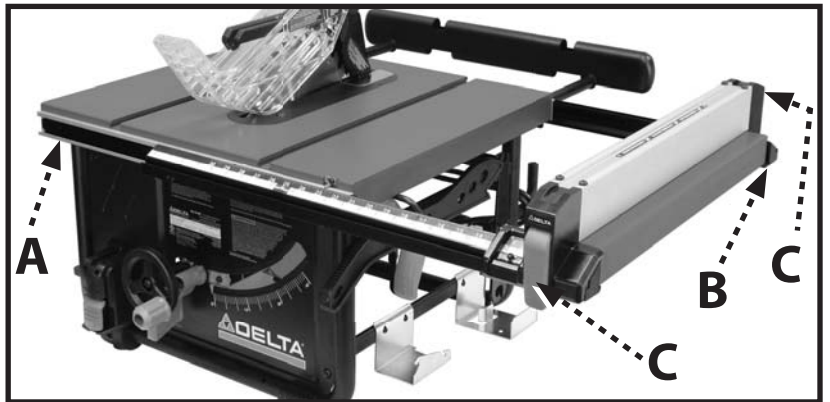


FIGURE 9

ON-BOARD STORAGE

Storage is located on the left panel, right panel and back side of the tool as shown in Figures 10 & 11.

- A. Push stick
- B. Anti-kickback assembly
- C. Wrenches
- D. Blade guard assembly
- E. Electrical cord
- F. Fence
- G. Miter gauge

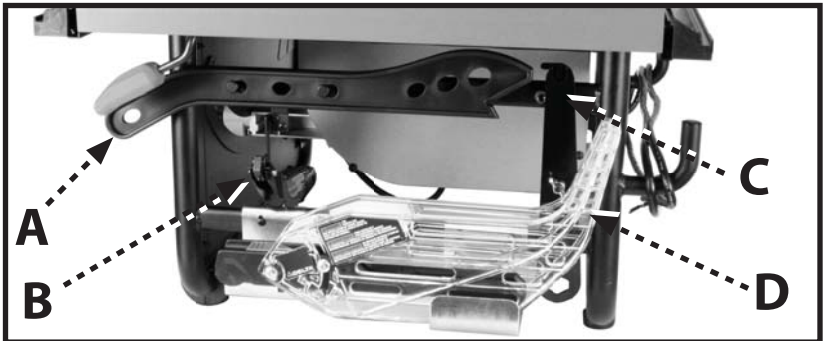


FIGURE 10



FIGURE 11

ASSEMBLY (continued)

Height Adjustment Knob Installation

1. Insert wheel handle shoulder screw (C) in to height adjustment wheel knob (D) as shown in Fig. 1
2. Tighten shoulder screw with Philips Screw driver into the Hand Wheel. Height adjustment wheel knob should rotate freely around shoulder screw when raising or lowering the blade with the Height Adjustment Hand Wheel.

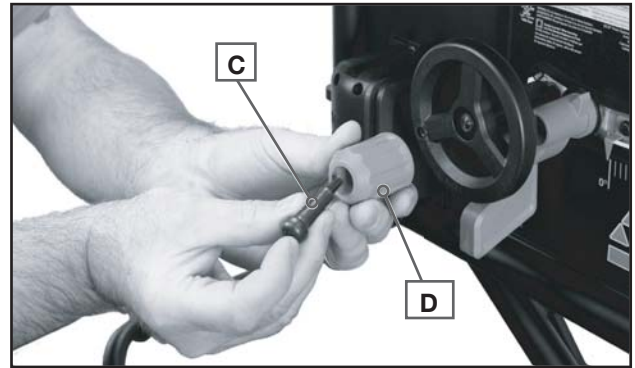


Fig. 1

OPERATION

⚠ WARNING: Failure to comply with the following the warnings may result in serious personal injury.

READ ENTIRE MANUAL. In addition to reading these operating instructions, it is important to read and understand the entire manual before operating this saw. Follow all applicable instructions regarding assembly, preparation, and adjustment prior to making any cuts and comply with all safety rules and warnings in this section and elsewhere throughout this manual.

1. Each time you use the saw, run through the following checklist:
 - Are the power source and power connections adequate for the saw?
 - Are the saw and work area free of clutter and by-standers?
 - Is the blade tight and properly aligned?
 - Does the riving knife thickness match the blade?
 - Are the blade and riving knife properly aligned?
 - Is the operator qualified to make the cut and familiar with all of the relevant safety rules, warnings and instructions included in this manual?
 - Is the operator and everyone in proximity to the saw wearing appropriate eye, hearing and respiratory equipment?
 - Are the bevel angle and height adjustment knobs locked in the proper position?
 - Is the blade set at the proper height?
 - If ripping, is the rip fence parallel to the blade and securely locked in position?
 - If crosscutting, is the miter gauge knob tight?
 - If making through cuts with a standard blade, are the blade guard riving knife and anti-kickback pawls properly attached and properly functioning with both guards contacting the table surface?
 - Is there proper clearance and support for the workpiece as it leaves the blade?
 - Are any cutting aids needed? If so, are they in place, or within reach for proper use?
2. The use of attachments and accessories not recommended by DELTA® Power Equipment Corporation may result in injury.
3. Replace or sharpen the anti-kickback fingers when the points become dull.
4. Make sure saw is stable and cutting can be accomplished without tipping the saw.
5. Never use the fence and miter gauge together without using a cutoff block as previously described.
6. The proper throat plate must be in place at all times.
7. If your saw makes an unfamiliar noise or if it vibrates excessively, cease operating immediately until the source has been located and the problem corrected.
8. Never perform freehand cutting, plunge cutting, re-sawing or cove cutting.

AVOID KICKBACK

A kickback can occur when the workpiece pinches the blade, or binds between the saw blade and the rip fence or other fixed object. This can cause the workpiece to rise from the table and/or be thrown back toward the operator. See instructions for reducing the risk of kickback on page 7 of this manual.

IF KICKBACK OCCURS, turn the saw "OFF" and verify proper alignment of the blade, riving knife and miter gauge or rip fence, and the proper functioning of the riving knife, anti-kickback assembly and blade guard assembly before resuming work.

TURNING THE SAW ON AND OFF

The ON/OFF paddle switch (in red) is located on the left side of the front panel of the saw.

To turn the saw ON lift the switch. Press the switch down to turn the saw OFF.

When not in use, the saw should be turned off and the power switch locked out to prevent unauthorized use. To lock out power switch, use a standard long shackle lock, with a shackle that is at least 2 3/4" (70mm) long and with shackle posts no larger than 9/32-inch (7mm) thick.

See Figure 12.

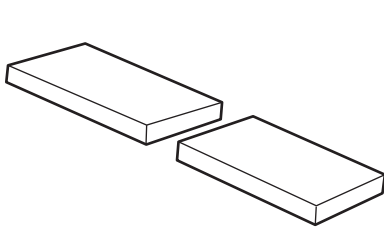


FIGURE 12

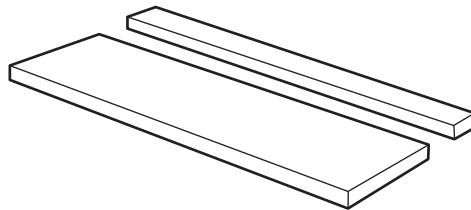
MAKING CUTS

⚠ WARNING: Failure to comply with the following the warnings may result in serious personal injury.

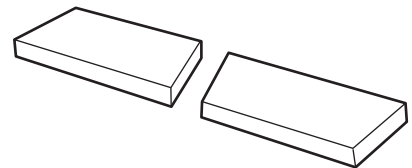
- Never touch the free end of the workpiece or a free piece that is cut off, while the power is on and/or the saw blade is rotating. Blade contact or binding may occur, resulting in a thrown workpiece
- When sawing a long workpiece or a panel, use a work support, such as a sawhorse, rollers or outfeed table at the same height as the table surface of the saw.
- Never try to pull the workpiece back with the blade turning. If you need to pull the workpiece back or lift it off the table, turn the switch off, allow the blade to stop, raise the anti-kickback teeth on each side of the riving knife if necessary, and slide the workpiece out.
- Before connecting the table saw to the power source or operating the saw, always inspect the blade guard assembly and riving knife for proper alignment and clearance with saw blade. Check alignment after each change of beveling angle.
- A rip fence should ALWAYS be used for ripping operations to prevent loss of control and personal injury. Always lock the fence to the rail. NEVER perform a ripping operation freehand.
- When making bevel cuts, place the fence on the right side of the blade so that the blade is tilted away from the fence and hands. Keep hands clear of the blade and use a push stick to feed the workpiece unless the workpiece is large enough to allow you to hold it more than 6 inches (152 mm) from the blade.
- Before leaving the saw unattended, lock out power switch, or take other appropriate measures to prevent unauthorized use of the saw.



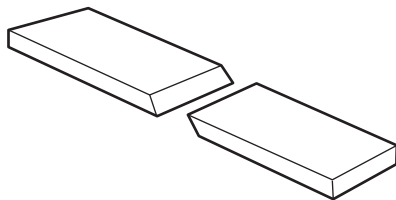
Cross Cut



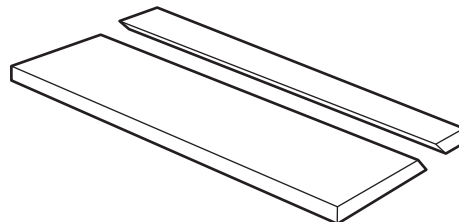
Rip Cut



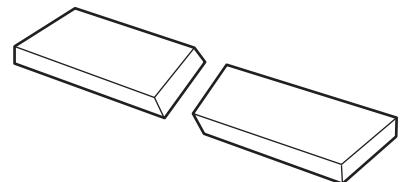
Mitered Crosscut



Beveled Cross Cut



Beveled Rip Cut



Compound Miter Cut

MAKING CUTS

RIP CUTS

1. Remove miter gauge
2. Make sure bevel angle is set to 0° .
3. Set blade to correct height for workpiece.
4. Install rip fence and lock it down parallel with and at desired distance from blade.
5. Keep fingers at least 6 inches from the blade at all times. When the hand cannot be safely put between the blade and the rip fence, select a larger workpiece, or use a push stick and other cutting aids, as needed, to control the workpiece.
6. Make sure the workpiece is clear of the blade (at least 1 inch or 25mm away) before starting the saw
7. Turn saw on.
8. Hold the workpiece flat on the table and against the fence (A). The workpiece must have a straight edge against the fence and must not be warped, twisted or bowed. See proper hand position in Figure 13.
9. Let blade build up to full speed before moving workpiece into the blade.
10. Both hands can be used while starting the cut as long as hands remain 6 inches from the blade.
11. Keep the workpiece against the table and fence and slowly feed the workpiece rearward all the way through the saw blade. Do not overload the motor by forcing the workpiece into the blade.
12. Use the push stick and any other cutting aids, as needed, to hold the workpiece against the table and fence, and push the workpiece past the blade. A push stick is included with this saw, and instructions are included to make additional push sticks and other cutting aids.
13. Do not push or hold onto the free or cut-off side of the workpiece.
14. Continue pushing the workpiece until it is clear of the blade. Do not overload the motor by forcing the workpiece into the blade.
15. When cut is complete, turn saw off. Wait for blade to come to a complete stop before removing workpiece from table.

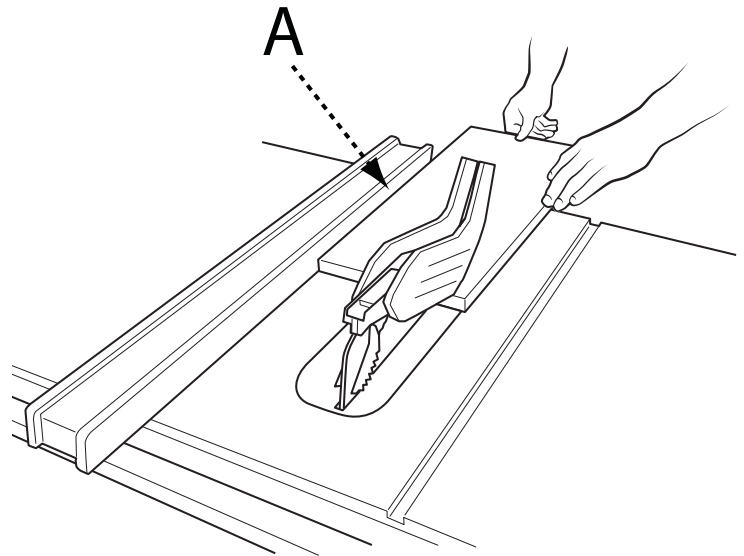


FIGURE 13

BEVEL RIPPING

Bevel ripping is the same as ripping except the bevel angle (A) is set to an angle other than 0° . When making a bevel rip cut, place the fence on the right side of the blade so that the blade is tilted away from the fence and hands.

See Figure 14.

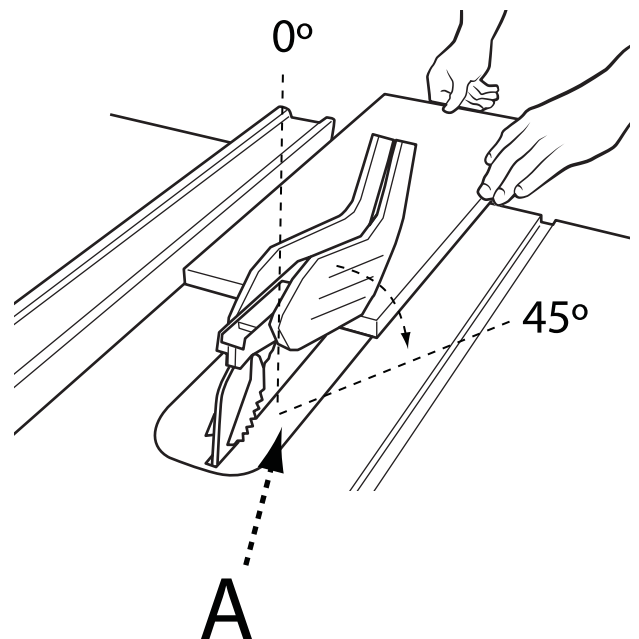


FIGURE 14

MAKING CUTS (continued)

CROSSCUTTING

⚠ WARNING:

- NEVER use the fence as a guide or length stop when crosscutting.
- The cut-off piece must never be confined in any through-sawing (cutting completely through the workpiece) operation—to prevent pinching blade which may result in a thrown workpiece and possibly injury.
- When using a block as a cut-off gauge, the block must be at least 3/4-inch (19mm) thick. It is very important that the rear end of the block be secured in a position where the workpiece is clear of the block before it enters the blade to prevent binding of the workpiece.

You can use the miter gauge in either table slot on non-bevel cuts. To increase surface area of miter gauge face, add an auxiliary face (See Cutting Aids section on page 20 of this manual.)

To make a crosscut, refer to Figure 15 and follow this process:

1. Remove rip fence.
2. Make sure bevel angle is set to 0°.
3. Set blade to correct height for workpiece.
4. Place miter gauge in either miter slot.
5. Set miter gauge to 0° and tighten miter gauge lock knob
6. Hands must remain at least 6 inches from blade throughout entire cut. If workpiece is too small to keep hands at least 6 inches away from the blade, select a larger workpiece, or attach an auxiliary face to the miter gauge and attach workpiece to auxiliary

7. Make sure the workpiece is clear of the blade - at least 1 inch or 25mm away - before starting the saw.
8. Turn saw on.
9. Let blade build up to full speed before moving workpiece into the blade.
10. Hand closest to blade should be placed on miter gauge lock knob and hand farthest from blade should hold workpiece firmly against the miter gauge face. Do not push or hold onto the free or cut-off side of the workpiece.
11. Slowly feed the workpiece rearward all the way through the saw blade. Do not overload the motor by forcing the workpiece into the blade.
12. When cut is complete, turn saw off. Wait for blade to come to a complete stop before removing cut off piece from table.

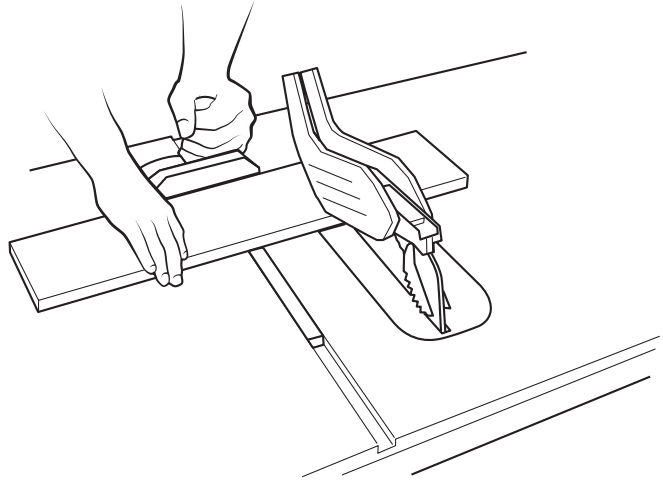


FIGURE 15

BEVEL CROSSCUTTING

Bevel crosscutting is the same as crosscutting except the bevel angle (A) is set to an angle other than 90°. When making a bevel crosscut, place the miter gauge in the right miter slot so that the blade is tilted away from the gauge and hands. See Figure 16.

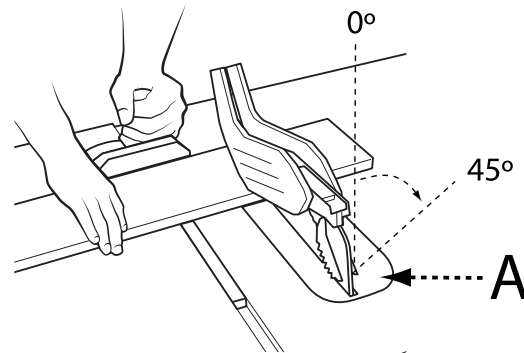


FIGURE 16

MITER CUTS

Miter cuts are cross cuts with the miter gauge set at an angle other than 90°. For instructions about setting miter gauge angles, see Preparing to Cut. To adjust the preset index miter stops, see Adjusting the Bevel Stops on page 23 of this manual.

⚠ WARNING:

- Miter angles less than 45° may force the blade guard assembly into the saw blade causing damage to the blade guard assembly and personal injury. Before starting the motor, test the operation by feeding the workpiece into the blade guard assembly. If the

blade guard assembly contacts the blade, place the workpiece under the blade guard assembly but not touching the blade - before starting the motor.

- Certain workpiece shapes, such as molding may not lift the blade guard properly. With the power off, feed the workpiece slowly into the blade guard area and until the workpiece touches the blade. If the blade guard assembly contacts the blade, place the workpiece under the blade guard assembly - but not touching the blade - before starting the motor.

MAKING CUTS (continued)

COMPOUND MITER CUTS

This is a combination of bevel crosscutting and mitering. Refer to Figure 17 and follow the instructions for both bevel crosscutting and mitering. Remember to use the right miter slot for all bevel cuts.

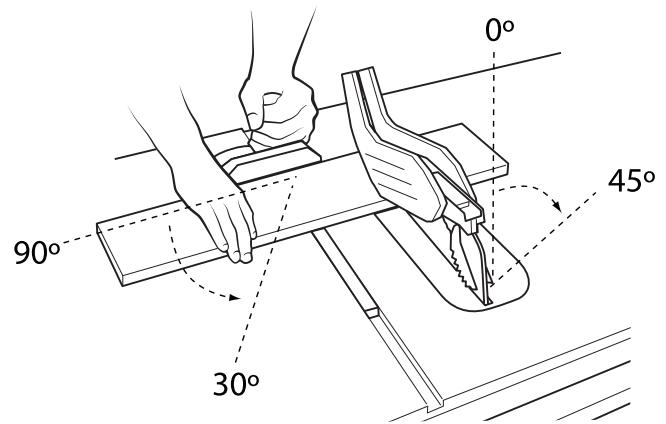


FIGURE 17

LARGE PANEL CUTS

Place workpiece supports at the same height as the saw table behind saw to support the cut workpiece, and alongside (s) of saw, as needed. Depending on shape of panel, use rip fence or miter gauge to control workpiece. If a workpiece is too large to use either a rip fence or a miter gauge, it is too large for this saw.

DADOS AND OTHER NON-THROUGH CUTS

The use of a non-through cut is essential to cutting grooves, rabbets and dados. Non-through cuts can be made using a standard blade having a diameter of 10 inches or less, or a dado blade up to 13/16 inch wide with a diameter of 8 inches or less. Non-through cuts are the only type of cuts that should be made without the blade guard assembly installed. Make sure the blade guard assembly is reinstalled upon completion of this type of cut.

▲ WARNING:

- When making non-through cuts, follow all applicable warnings and instructions listed below in addition to those listed above for the relevant through cut.
- When making a non-through cut, blade is covered by workpiece during most of cut. Be alert to exposed blade at start and finish of every cut.
- Never feed wood with hands when making any non-through cuts such as rabbets or dados. Always use miter gauge, push blocks or push sticks, and featherboards where appropriate.
- Read the appropriate section which describes the type of cut in addition to this section on non-through or dado cuts. For example, if your non-through cut is a straight cross cut, read and understand the section on straight cross cuts before proceeding.
- Once all dado and non-through cuts are completed, unplug saw and reinstall riving knife or return it to raised position. Install anti-kickback pawls and blade guard.
- Carefully follow the instructions accompanying any specialized blades such as dado blades and molding cutters for proper installation, set up and operation.

MAKING A NON-THROUGH CUT

1. Unplug saw.
 2. Unlock release lever.
 3. Adjust bevel angle to 0°.
 4. Lock release lever.
 5. Remove blade guard and anti-kickback pawls.
 6. Place riving knife in "lowered" position. (see RIVING KNIFE HEIGHT SETTINGS Section on page 25)
 7. Set blade to correct depth for workpiece. See instructions below for use of Dados and other specialized blades.
 8. Depending on shape and size of wood, use either rip fence or miter gauge.
 9. Plug saw into power source and turn saw on.
 10. Let blade build up to full speed before moving workpiece into blade.
 11. Always use push blocks, push sticks, and/or featherboards when making non-through cuts to reduce the risk of serious injury.
 12. When cut is made, turn saw off. Wait for blade to come to a complete stop before removing workpiece.
- If a deep dado cut is required, use several successive passes rather than attempting to make it with one pass.

MAKING CUTS (continued)

MAKING A DADO CUT

Dado blades are stacked blades that can be used when making non-through cuts including through cut slots. Dado blades require a special throat plate. Dado blades and throat plates are all sold separately.

▲ WARNING:

- Carefully follow the instructions accompanying the dado blade for proper installation, set up and operation. Additional guides can be found in woodworking and carpentry websites and publications.
- Do not attempt to stack dado blades thicker than $1\frac{3}{16}$ inch (20.64mm) Do not use dado blades larger than 8-inches (200 mm) in diameter.
- The riving knife and blade guard assemblies cannot be used when dadoing. They must be removed as described in Riving Knife and Blade Guard Operations section. Use **EXTREME** care when using the dado without the blade guard assembly and riving knife.
- Use push sticks, hold-downs, jigs, fixtures or feather boards to help guide and control the workpiece when the guard cannot be used.
- Be sure to reinstall riving knife, anti-kickback pawls blade guard and standard throat plate, and check adjustments when the dado cuts are complete.

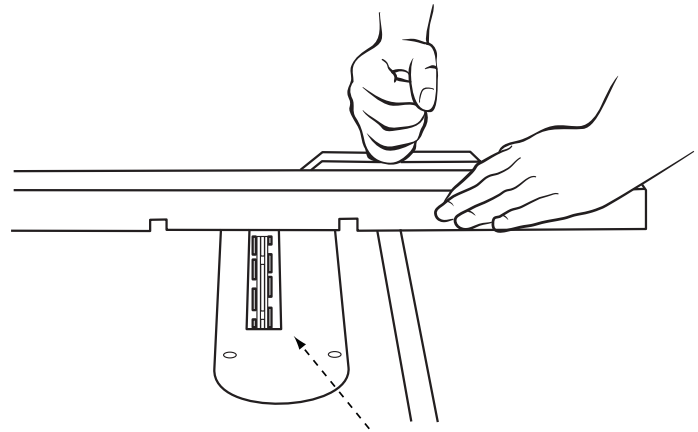


FIGURE 18

- The accessory dado head set throat plate, shown in Figure 18, must be used in place of the standard throat plate. Be sure the throat plate is level to the table before you proceed.
- Always check dado blade clearance with other components before plugging in the saw.
- Never attempt to use the dado head in a bevel position.

NOTE: The standard outer arbor flange cannot be used with certain dado blade combinations. In those cases, tighten the arbor nut directly against the dado blade set. Save the outer arbor flange for use with other blades and dado combinations.

CUTTING AIDS AND ACCESSORIES

PUSH STICK

In order to operate your table saw safely, you must use a push stick whenever the size or shape of the workpiece would otherwise cause your hands to be within 6-inches (152mm) of the saw blade or other cutter. A push stick is included with this saw.

No special wood is needed to make additional push-sticks as long as it is sturdy and long enough with no knots, checks or cracks. A length of approximately 16 inches (400mm) is recommended with a notch that fits against the edge of the workpiece to prevent slipping. It's a good idea to have several push sticks of the same minimum length, 16 inches (400mm), with different size notches for different workpiece thicknesses.

The shape can vary to suit your own needs as long as it performs its intended function of keeping your hands away from the blade. Angling the notch so the push stick can be held at a 20- to 30-degree angle from the saw's table will help you to hold down the workplace while also moving the saw.

To construct a push stick, refer to the layout shown in Figure 19.

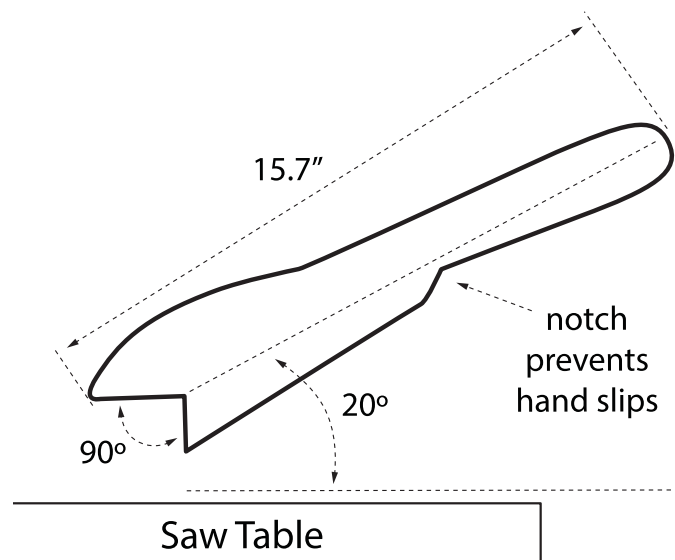


FIGURE 19

AUXILIARY MITER GAUGE FACING

An auxiliary miter gauge facing is used to increase the surface area of the miter gauge face.

If desired, you can fit the miter gauge with an auxiliary wood facing that should be at least 1-inch (25mm) higher than the maximum depth of cut, and at least as wide as the miter gauge.

This auxiliary wood facing can be fastened to the front of the miter gauge by using (2) M6 (1/4-20) flat head screws and nuts, placing the nuts into the slots provided in the face of the miter gauge body.

See Figure 20.

Make sure the screws are long enough to secure the facing and flat head must be recessed into face of board.

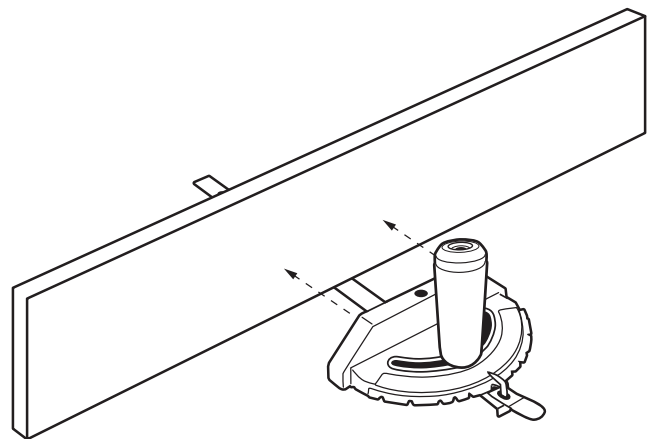


FIGURE 20

PUSH BLOCK

1. Select a piece of wood about 4-inches wide, 6-inches long and 1- to 2-inches thick (a cutoff from a 2 by 4 makes a good blank for a push block).
2. Drill a hole in the block and glue in a dowel to use as a handle (you can angle the hole to provide a more comfortable grip on the handle).
3. Glue a piece of rough or soft material such as sandpaper or rubber to the bottom of the block to grip the workpiece (old mouse pads work well).

See Figure 21.

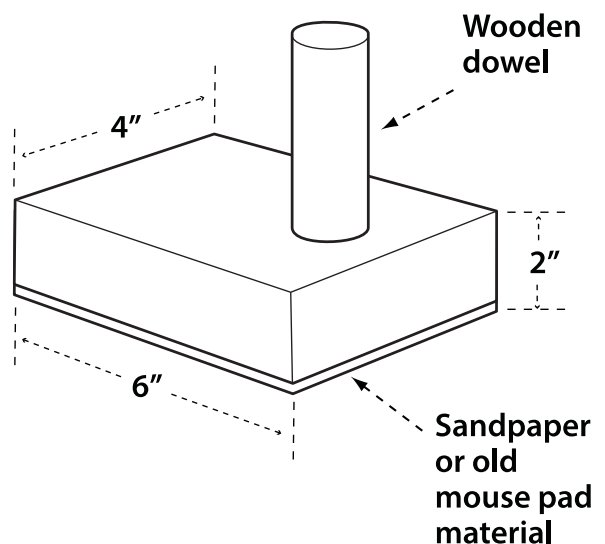


FIGURE 21

FEATHERBOARD

Featherboards are used to keep the work in contact with the fence and table (Figure 22), and help prevent kickback. Featherboards are especially useful when ripping small workpieces and for completing non-through cuts. The end is angled with a series of narrow slots to give a friction hold on the workpiece. It is locked in place on the table or fence with a c-clamp.

⚠ WARNING: To avoid binding between the workpiece and the blade, make sure a horizontal feather board presses only on the uncut portion of the workpiece in front of the blade.

Dimensions for making a typical featherboard are shown in Figure 22. Make your featherboard from a straight piece of wood that is free of knots and cracks. Clamp featherboards to the fence and/or table so that the featherboard will hold the workpiece against the fence or table.

1. Select a solid piece of lumber approximately $\frac{3}{4}$ -inch thick, 2 $\frac{1}{2}$ -inches wide and 12-inches long.
2. Mark the center width on one end of stock. Miter width to 70° (see miter cut section for information on miter cuts).
3. Set rip fence to allow approximately a $\frac{1}{4}$ -inch "finger" to be cut in the stock.
4. Feed stock only to mark previously made at 6 inches.
5. Turn saw off and allow blade to completely stop rotating before removing stock.
6. Reset rip fence and cut spaced rips into workpiece to allow approximately $\frac{1}{4}$ -inch fingers and $\frac{1}{8}$ -inch spaces between fingers.

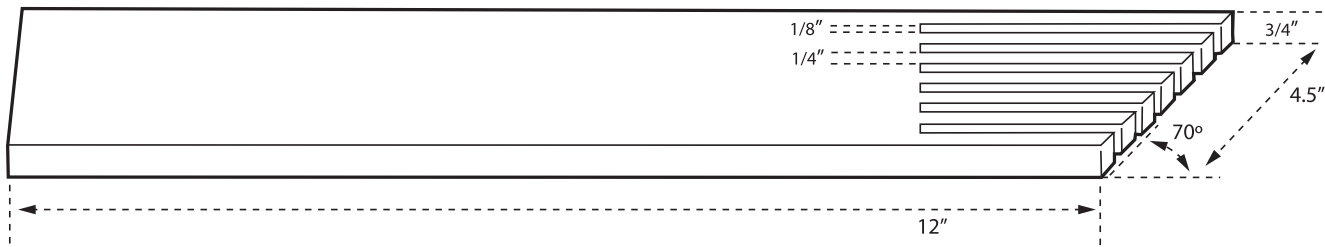


FIGURE 22

CUT OFF GAUGE

When crosscutting a number of pieces to the same length, you can clamp a block of wood (A) (as shown in Figure 23) to the fence and use it as a cut-off gauge. The block (A) must be at least $\frac{3}{4}$ -inch (19 mm) thick to prevent the cut off piece from binding between the blade and the fence. Once the cut-off length is determined, lock the fence and use the miter gauge to feed the workpiece into the blade.

⚠ WARNING: Always position the cut-off gauge in front of the saw blade.

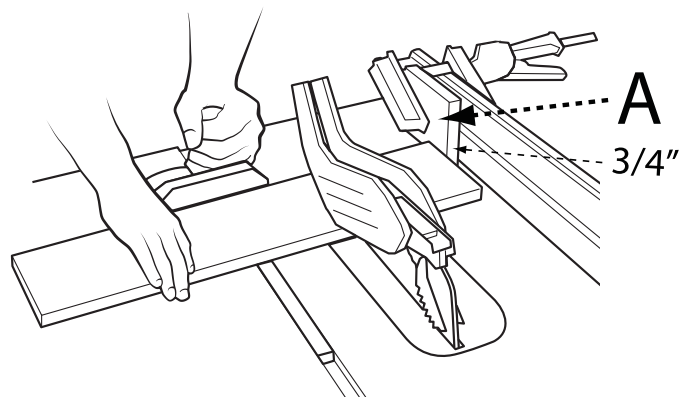


FIGURE 23

JIGS

Jigs may be created with a variety of special set-ups to control particular workpiece shapes for particular cuts. Guidance on how to make specialized jigs can be found in woodworking and carpentry websites and publications.

⚠ WARNING: Do not attempt to create or use a jig unless you are thoroughly familiar with table saw safety. Do not use any jig that could result in pinching a kerf or jamming the workpiece between the jig and the blade. Incorrect setups may cause kickback which could result in serious injury.

MAKING ADJUSTMENTS

LEVELING THE THROAT PLATE

The front, rear and sides of the throat plate must be level with the surface of the table.

There are four screws (A) pre-assembled to the table that are used to level the throat plate.

If the throat plate is not flush with the surface of the table, adjust these screws to ensure the entire throat plate is flush with the table. They can be accessed and adjusted without removing the throat plate. **Do not attempt to mount the throat plate down using the throat plate levelling screws.**

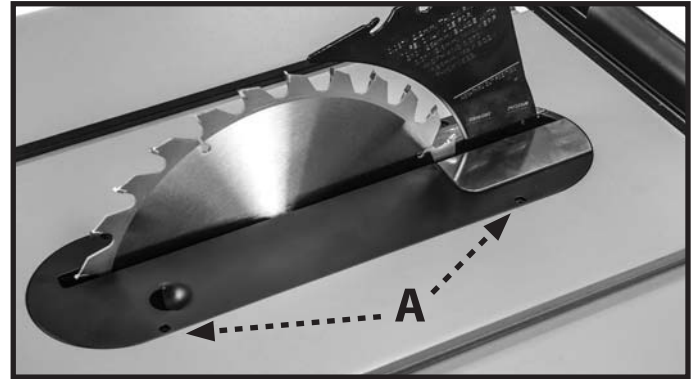


FIGURE 24

SQUARING THE BLADE VERTICALLY TO THE TABLE

Place a framing square (B) on the table surface and against both blade and riving knife. The framing square should be in full contact with the blade face and riving knife.

If it is not square, adjust the 0-degree stop as shown in “Adjusting The Bevel Stops” below.

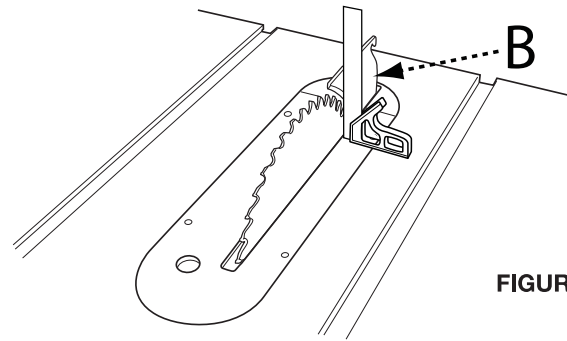


FIGURE 25

ADJUSTING THE BEVEL STOPS

If the blade is not vertically square with the table, you must adjust the 0-degree positive stop (A) located on the inside of the bevel track at the left end of the bevel track opening as shown in Figure 26.

Unlock the bevel/height adjustment locking lever and position the adjustment wheel all the way to the left in order to gain easy access to the 0-degree positive stop. Then lock the adjustment lever.

Turn the 0-degree positive stop set screw.

Unlock the adjustment wheel, return the blade to the 0-degree position, making sure it makes contact with the positive stop, and re-lock the adjustment wheel in place.

Recheck the position of the blade to the table surface using a framing square. (See “Squaring the Blade Vertically to the Table” on this page.)

Continue repeating previous two steps until the blade is vertically square to the table.

You can use this same procedure in order to check the 45-degree positive stop (B), located at the far right end of the bevel track, just inside the bevel track opening as shown in Figure 27.

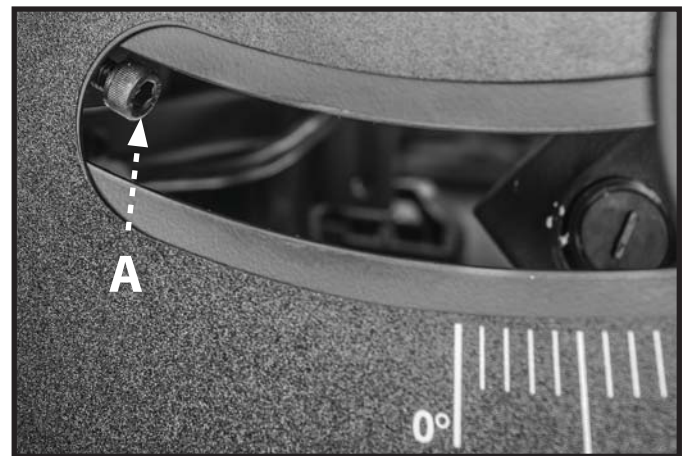


FIGURE 26



FIGURE 27

MAKING ADJUSTMENTS (continued)

ADJUSTING THE BLADE HEIGHT

For all through cuts, the top of the blade points should be above the workpiece and the bottom of the blade gullets are below the top surface of workpiece.

For non-through cuts, the top of the blade points should be set to the depth of the cut.

To adjust the height of the blade, refer to Figure 28 and do the following:

Make sure the bevel/height adjustment locking lever (A) is in the locked (down) position.

Adjust the blade height by turning the bevel/height adjustment wheel (B). Clockwise will raise the blade and counterclockwise lowers it.

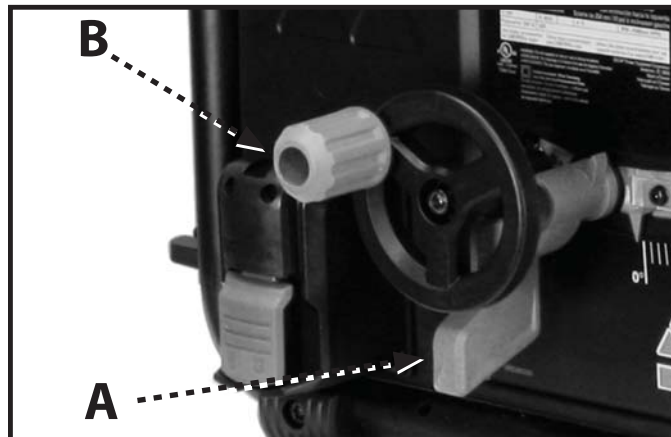


FIGURE 28

CHANGING THE BEVEL

Unlock the bevel/height adjustment locking lever (A) by pulling it into the up position.

Holding knob/wheel, slide the bevel indicator to the desired angle.

When the blade is at desired angle, lock the bevel/height adjustment locking lever by pushing it down.

USING THE MITER GAUGE

There are two miter gauge grooves (A), one on either side of blade. When making a 90° cross cut, use either groove. For beveled cross cut use the groove on right so that blade is tilted away from miter gauge and hands.

Loosen the miter gauge lock knob (B). Rotate the gauge until desired angle on scale is reached. Retighten lock knob.

See Figure 29.

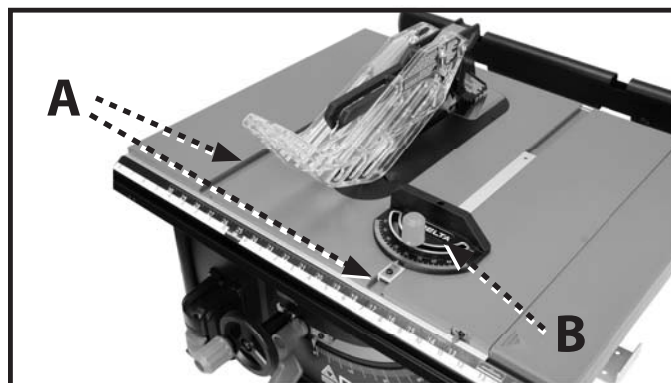


FIGURE 29

USING THE REAR OUT-FEED SUPPORT

The out feed support slides to provide additional support for cutting long work pieces.

Ensure the power switch is in the OFF position. From the rear of the saw, grasp the out-feed support (A) with both hands and pull until it is fully extended.

See Figure 30.



FIGURE 30

LOWERING THE RIVING KNIFE

Remove throat plate.

Raise the blade by turning the height adjustment wheel clockwise.

Refer to Figure 31.

Loosen the riving knife lock knob (A) and push in on the spring-loaded lock knob to release riving knife.

Push the riving knife (B) down until it is below the blade. Riving knife has through cut line clearly marked.

Tighten riving knife lock knob.

Reinstall throat plate.

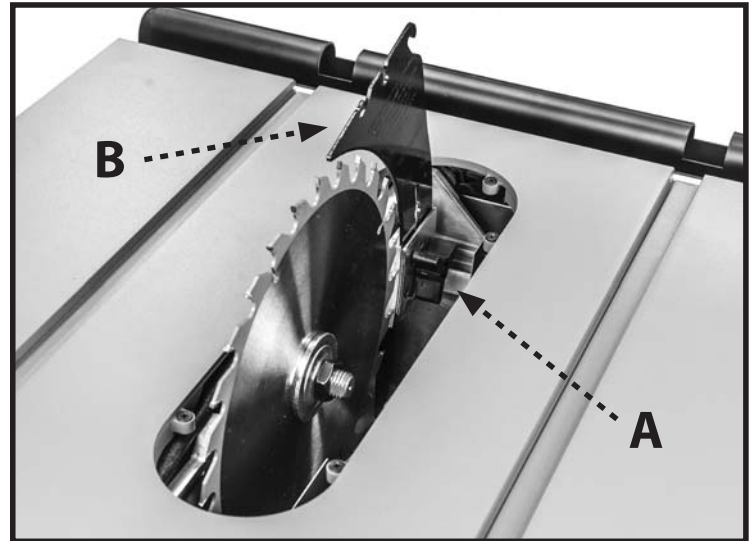


FIGURE 31

USING THE RIGHT HAND TABLE EXTENSION

The table extension (A), located on the right side of the table, enables you to increase the width of the saw table to accommodate oversized workpieces.

To use the table extension, refer to Figure 32 and do the following:

Release the table extension lock (B) by moving it to the right. Slide side table extension (A) out to the right. Use the blue pointer on the top scale to determine desired distance. When side table extension is set to desired width, re-lock lever.

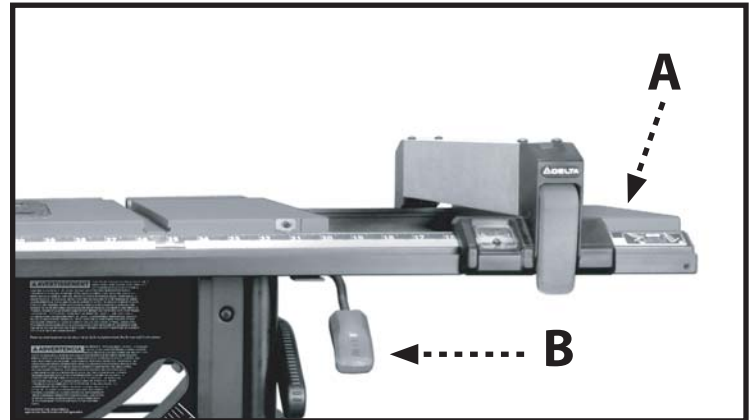


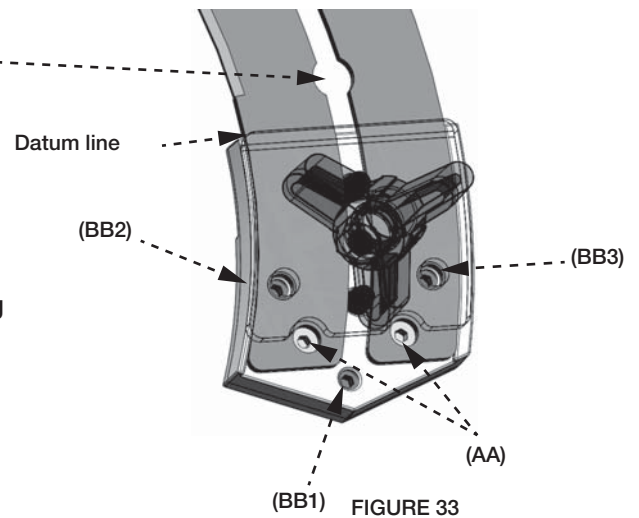
FIGURE 32

RIVING KNIFE ALIGNMENT

Location point for NON-THRU CUT POSITION
(Riving knife is located in this position for “NON-THRU” cuts and is also in this position when packaged for shipment)

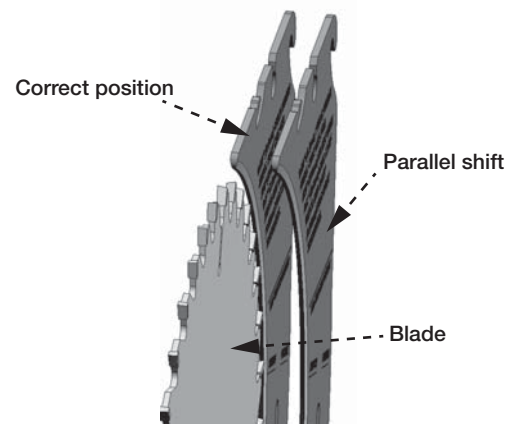
Locating point for THRU CUT POSITION as shown in Figure 33
(Customer should adjust the riving knife to this position when making “THRU” cuts.)

(NOTE: You must locate the riving knife in this position prior to making any alignment adjustments to the riving knife alignment to the blade.)



If a parallel adjustment is required use Figure 33 and Figure 34 to make the following adjustments:

1. Loosen the 2 hex socket head screws (AA)
2. Tighten or loosen the adjustment screw (BB1) to adjust the datum line of the riving knife to be aligned to the blade.
3. Adjust set screw (BB2) and (BB3), to assist with alignment of the riving knife to be parallel to the blade.
4. Tighten hex socket head screws (AA).

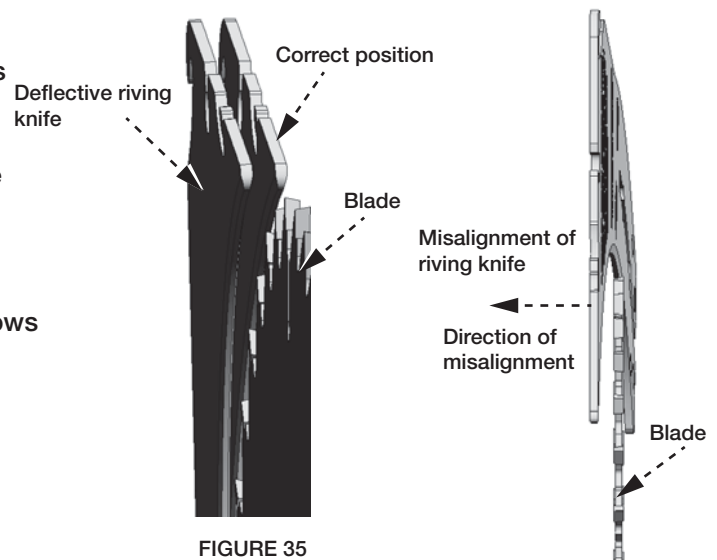


If the riving knife has vertical misalignment, adjust as follows using Figure 33 and Figure 35:

1. Loosen the 2 hex socket head screws (AA)
2. Make adjustments to (BB2) and (BB3), to align riving knife to the blade. No adjustment is needed for (BB1).
3. Tighten screws (AA).

If the riving knife has horizontal misalignment, adjust as follows using Figure 33 and Figure 36:

1. Loosen the 2 hex socket head screws (AA).
2. Adjust screw (BB2) to align the riving knife to the blade, if still out of alignment then adjust (BB3) until proper alignment is achieved. Do not adjust (BB1).
3. Tighten screws (AA).



MAINTENANCE

To reduce the risk of injury, turn unit off and disconnect it from power source before cleaning or servicing, before installing and removing accessories, before adjusting and when making repairs. An accidental start-up can cause injury.

KEEP MACHINE CLEAN

Periodically blow out all air passages with dry compressed air. All plastic parts should be cleaned with a soft damp cloth. NEVER use solvents to clean plastic parts. They could possibly dissolve or otherwise damage the material.

Wear certified safety equipment for eye, hearing and respiratory protection while using compressed air.

LUBRICATION & RUST PROTECTION

Apply hardwood flooring paste wax to the machine table occasionally or use a commercially available protective product designed for this purpose. Follow the manufacturer's instructions for use and safety.

MAINTENANCE REMINDERS

Wear certified safety equipment for eye, hearing and respiratory protection while using compressed air.

Specific areas which require regular maintenance include:

RIVING KNIFE CLAMP PLATE: Keep this area free of dust and debris buildup. Blow out area regularly with compressed air.

NOTE: If the riving knife clamp can't move freely, have the saw serviced by authorized DELTA® Power Equipment Corporation service center personnel.

BEVEL GEARS: Keep the gears free of dust and debris buildup. Blow out area regularly with compressed air. Use a lithium-based multipurpose grease as needed on these gears.

WORM GEARS: Keep the worm gears free of dust and debris buildup. Blow out area regularly with compressed air. Use a lithium-based multipurpose grease as needed on these gears.

CLEAN SAWDUST BUILDUP OUT OF CABINET PERIODICALLY: NOTE: Debris can also be removed from the saw from below the throat plate, inside the dust port.

TROUBLESHOOTING

For assistance with your machine, visit our website at www.DeltaMachinery.com for a list of service centers or call DELTA® Power Equipment Customer Care at 1-800-223-7278.

FAILURE TO START

If your machine fails to start, check to make sure the prongs on the cord plug are making good contact in the receptacle. Also, check for blown fuses or open circuit breakers in your power line.

ACCESSORIES

A complete line of accessories is available from your DELTA® Supplier, DELTA® Factory Service Centers, and DELTA® Authorized Service Centers. Please visit our Web Site www.DeltaMachinery.com for an online catalog or for the name of your nearest supplier.

⚠ WARNING: Since accessories other than those offered by DELTA® have not been tested with this product, use of such accessories could be hazardous. For safest operation, only DELTA® recommended accessories should be used with this product.

WARRANTY

To register your tool for warranty service visit our website at www.DeltaMachinery.com.

Five Year Limited New Product Warranty

DELTA will repair or replace, at its expense and at its option, any new DELTA machine, machine part, or machine accessory which in normal use has proven to be defective in workmanship or material, provided that the customer returns the product prepaid to a DELTA factory service center or authorized service station with proof of purchase of the product within five years and provides DELTA with reasonable opportunity to verify the alleged defect by inspection.

For all refurbished DELTA product, the warranty period is 180 days.

DELTA will not be responsible for any asserted defect which has resulted from normal wear, misuse, abuse or repair or alteration made or specifically authorized by anyone other than an authorized DELTA service facility or representative.

Under no circumstances will DELTA be liable for incidental or consequential damages resulting from defective products. Some states do not allow the exclusion or limitation of incidental or consequential damages, so the above limitation or exclusion may not apply to you.

This warranty is DELTA's sole warranty and sets forth the customer's exclusive remedy, with respect to defective products; all other warranties, express or implied, whether of merchantability, fitness for purpose, or otherwise, are expressly disclaimed by DELTA.

For further detail of warranty coverage and warranty repair information call 1-800-223-7278. This warranty gives you specific legal rights and you may have other rights which vary in certain states or provinces.

LATIN AMERICA: This warranty does not apply to products sold in Latin America. For products sold in Latin America, see country specific warranty information contained in the packaging, call the local company or see website for warranty information.



PARTS, SERVICE AND WARRANTY ASSISTANCE

All DELTA® machines and accessories are manufactured to high quality standards and are serviced by a network of DELTA® Authorized Service Centers. To obtain additional information regarding your DELTA® quality product or to obtain parts, service, warranty assistance, or the location of the nearest service center, please call 1-800-223-7278.

REPLACEMENT PARTS

Use only identical replacement parts. For a parts list or to order parts, visit our website at www.DeltaMachinery.com/service. You can also order parts from your Authorized Warranty Service Center or by calling Technical Service Manager at 1-800-223-7278 to receive personalized support from one of our highly-trained representatives.

free warning label replacement

If your warning labels become illegible or are missing, call 1-800-223-7278 for a free replacement.

NOTES

CONSIGNES DE SÉCURITÉ IMPORTANTES

⚠ AVERTISSEMENT LISEZ ATTENTIVEMENT ET SUIVEZ TOUS LES AVERTISSEMENTS ET LES INSTRUCTIONS SUR VOTRE PRODUIT ET DANS LE PRÉSENT MANUEL. CONSERVEZ CE MANUEL. ASSUREZ-VOUS QUE TOUS LES OPÉRATEURS SONT FAMILIARISÉS AVEC LES AVERTISSEMENTS ET LES INSTRUCTIONS LORS DE L'UTILISATION DE L'OUTIL. Tout fonctionnement, tout entretien ou toute modification inappropriés des outils ou de l'équipement pourraient entraîner des blessures graves et/ou des dommages matériels.

Si vous avez des questions ou des préoccupations relatives à l'utilisation de votre outil ou au contenu du présent manuel, arrêtez d'utiliser l'outil et contactez le Service à la clientèle de DELTA® Power Equipment Corporation au 1-800-223-7278

LOGOS DE SÉCURITÉ

Les définitions ci-dessous décrivent le niveau de sévérité associé à chaque terme d'avertissement. Veuillez lire le manuel et faire attention à ces symboles.

⚠ DANGER Indique une situation imminente extrêmement dangereuse qui, si elle n'est pas évitée, entraînera la mort ou une blessure grave.

⚠ AVERTISSEMENT Indique une situation potentiellement dangereuse qui, si elle n'est pas évitée, pourrait entraîner la mort ou une blessure grave.

⚠ ATTENTION Indique une situation potentiellement dangereuse qui, si elle n'est pas évitée, peut entraîner une blessure mineure ou modérée.

RÈGLES DE SÉCURITÉ GÉNÉRALES DES OUTILS ÉLECTRIQUES

⚠ AVERTISSEMENT Le non-respect de ces règles peut provoquer des blessures graves.

- 1. LIRE LE MANUEL D'INSTRUCTIONS ET FAIRE CONNAISSANCE AVEC L'OUTIL.** Lisez et familiarisez-vous avec le guide d'utilisation dans son intégralité. Apprenez la bonne utilisation et les limites de l'outil, ainsi que les dangers connexes, pour minimiser le risque d'accidents et de blessures. Assurez-vous que tous les opérateurs sont familiarisés avec les avertissements et les instructions avant d'utiliser l'outil.
- 2. POUR RÉDUIRE LE RISQUE DE CHOC ÉLECTRIQUE,** cet équipement a une fiche polarisée (une lame est plus large que l'autre). Cette fiche ne s'insère dans une prise polarisée que dans un sens. Si la fiche ne rentre pas complètement dans la prise, inversez la fiche. Si elle ne rentre toujours pas, contactez un électricien qualifié pour installer la bonne prise. Ne modifiez la fiche en aucune façon.
- 3. RETIRER LES CLÉS D'AJUSTEMENT ET LES CLÉS À MOLETTE.** Habituez-vous à vérifier que les clés d'ajustement et les clés à molette ont été retirées de l'outil avant de le mettre en marche.
- 4. MAINTENIR L'ESPACE DE TRAVAIL PROPRE ET BIEN ÉCLAIRÉ.** Les espaces, surfaces et bancs de travail en désordre ou mal éclairés peuvent conduire à des accidents.
- 5. NE PAS UTILISER OU ENTREPOSER L'OUTIL DANS DES ENVIRONNEMENTS DANGEREUX.** L'exposition à la pluie et aux endroits humides ou mouillés peuvent entraîner un choc électrique ou une électrocution ou endommager l'outil. Ne pas faire fonctionner les outils électriques à proximité de liquides inflammables ou dans des atmosphères explosives ou gazeuses. Les moteurs et les interrupteurs de ces outils peuvent provoquer des étincelles et enflammer les vapeurs.
- 6. GARDER LES ENFANTS ET LES SPECTATEURS À DISTANCE** de la zone de travail.
- 7. BLOQUER LES OUTILS ET L'ESPACE DE TRAVAIL.** Utilisez des cadenas, des interrupteurs principaux, ou enlevez et rangez les clés de démarrage pour empêcher l'utilisation par des enfants et des opérateurs non autorisés.
- 8. NE PAS FORCER L'OUTIL OU LA PIÈCE.** Faites fonctionner l'outil à la vitesse et l'alimentation prévue pour un fonctionnement à la fois meilleur et plus sûr.
- 9. UTILISER L'OUTIL APPROPRIÉ.** Ne forcez pas l'outil à effectuer une tâche pour laquelle il n'a pas été conçu.
- 10. NE PAS MAL MENER LES CORDONS D'ALIMENTATION.** NE tirez jamais sur le cordon pour le débrancher, ne l'écrasez pas, ne l'exposez pas à la chaleur, à l'huile ou aux objets pointus.
- 11. UTILISER LA RALLONGE APPROPRIÉE.** Lorsque vous utilisez une rallonge, assurez-vous d'utiliser une rallonge en bon état et suffisamment épaisse pour transporter le courant requis par votre outil. Une rallonge d'un calibre trop petit provoquera une chute de tension, entraînant une perte de puissance et une surchauffe. Voir le Tableau des rallonges pour le calibre approprié en fonction de la longueur du cordon et de l'ampérage de la plaque signalétique. En cas de doute, utiliser le calibre immédiatement inférieur. Plus le numéro de calibre est petit, plus le cordon est épais. Lorsque vous travaillez à l'extérieur, utilisez uniquement des rallonges conçues pour une utilisation à l'extérieur. Consultez la section Raccordements électriques du présent manuel pour le Tableau des rallonges et la sécurité des raccordements électriques.
- 12. FIXER LA PIÈCE.** Utilisez des serre-joints ou un étau pour tenir la pièce en place, le cas échéant. Cela sera plus sûr que d'utiliser vos mains qui seront ainsi libérées pour le travail.
- 13. NE PAS TENDRE LE BRAS.** Gardez un bon positionnement de vos pieds et un bon équilibre à tout moment pour maintenir un contrôle adéquat.
- 14. ENTRETENIR LES OUTILS AVEC SOIN.** Gardez les outils affûtés et propres pour une utilisation efficace et sécuritaire. Suivez les indications relatives à la lubrification et au changement d'accessoires.

RÈGLES DE SÉCURITÉ GÉNÉRALES DES OUTILS ÉLECTRIQUES

15. **DÉBRANCHER L'OUTIL** de la source d'alimentation avant l'entretien, le réglage ou la modification de l'installation ou des lames, mèches, couteaux et autres accessoires.
16. **POUR RÉDUIRE LE RISQUE DE MISE EN MARCHÉ ACCIDENTELLE**, assurez-vous que les interrupteurs sont en position « OFF » (arrêt) avant de brancher l'outil.
17. Ne touchez pas aux broches métalliques de la fiche au moment de brancher ou de débrancher le cordon.
18. **UTILISER LES ACCESSOIRES RECOMMANDÉS**. Consultez le manuel pour les accessoires recommandés. L'utilisation d'accessoires inappropriés peut entraîner des blessures ou des dommages matériels.
19. **NE JAMAIS SE TENIR DEBOUT SUR L'OUTIL**. Des blessures graves peuvent se produire en cas de basculement de l'outil ou en cas de contact accidentel avec la surface de coupe.
20. **CONTRÔLER L'OUTIL POUR D'ÉVENTUELS DOMMAGES**. Avant toute utilisation, et après que l'outil ou l'accessoire soit tombé ou ait été endommagé, inspectez attentivement les protections ou autres pièces concernées pour vérifier l'alignement, le blocage ou la cassure des pièces mobiles et toute autre condition qui pourrait en modifier le fonctionnement pour s'assurer que l'outil et ses pièces pourront fonctionner correctement et effectuer le travail pour lequel ils sont conçus. N'utilisez pas un produit endommagé. Une protection ou une autre pièce endommagée doit être correctement réparée ou remplacée par des pièces de rechange autorisées par le fabricant.
21. **UTILISER LA BONNE DIRECTION D'ENGAGEMENT**. Engagez la pièce dans le sens contraire de la rotation de la lame, du couteau ou de la surface abrasive. L'engager dans l'autre sens risque de projeter la pièce en l'air à grande vitesse.
22. **NE JAMAIS LAISSER L'OUTIL EN MARCHÉ SANS SURVEILLANCE. COUPER LE COURANT**. Ne laissez pas l'outil tant qu'il ne s'est pas entièrement arrêté. En cas de panne de courant, placez l'interrupteur en position « OFF ».
23. **RESTER VIGILANT, SURVEILLER SES GESTES ET FAIRE PREUVE DE BON SENS LORS DE L'UTILISATION D'UN APPAREIL ÉLECTRIQUE**. N'utilisez pas d'outils électriques quand vous êtes fatigué ou sous l'influence de drogues, d'alcool ou de médicaments. Un moment d'inattention pendant l'utilisation d'un outil électrique peut entraîner des blessures graves.
24. **PIÈCES DE RECHANGE**. Utilisez uniquement des pièces de rechange identiques lors de l'entretien de votre outil.
25. **PORTER DES VÊTEMENTS APPROPRIÉS**. Évitez de porter des vêtements amples, des gants, des cravates, des bagues, des bracelets ou tout autre bijou, car ils peuvent se coincer dans les pièces mobiles. Le port de chaussures de protection à semelles antidérapantes est recommandé. Portez un chapeau de protection pour contenir les cheveux longs.
26. **PORTER DES LUNETTES DE PROTECTION**. Toutes les personnes dans la zone de travail doivent porter des lunettes de sécurité avec écrans latéraux. Les lunettes de vue ordinaires avec des verres résistants aux chocs ne sont pas des lunettes de sécurité. L'équipement de protection oculaire doit être conforme aux normes ANSI Z87.1.
27. **PROTECTION DE L'OUÏE**. Toutes les personnes dans la zone de travail doivent porter une protection auditive appropriée compatible avec les niveaux de bruit et d'exposition. L'équipement de protection auditive doit être conforme aux normes ANSI S3.19.
28. **PROTECTION CONTRE LA POUSSIÈRE**. L'utilisation d'outils électriques peut générer et/ou disperser la poussière, ce qui peut provoquer des lésions graves et permanentes des voies respiratoires ou d'autres blessures, y compris la silicose (une pathologie pulmonaire grave), le cancer et la mort. Diriger les particules à distance du visage et du corps. Toujours utiliser l'outil dans un endroit bien aéré et prévoir un moyen d'évacuation approprié de la poussière. Utilisez un dispositif de dépoussiérage, le cas échéant. Évitez de respirer la poussière et évitez le contact prolongé avec la poussière. Laisser la poussière pénétrer dans la bouche ou les yeux ou se déposer sur la peau peut favoriser l'absorption d'une matière nocive. Utilisez un dispositif de protection respiratoire approprié homologué par NIOSH/OSHA pour l'exposition à la poussière et laver les régions exposées à l'eau et au savon.

AVERTISSEMENT RELATIF À LA PROPOSITION 65 :

Les poussières créées par le ponçage électrique, la coupe, le broyage, le perçage et d'autres activités de construction contiennent des produits chimiques identifiés par l'État de Californie comme facteurs de cancer, d'anomalies congénitales ou d'autres préjudices relatifs à la reproduction. Voici quelques exemples :

- Le plomb des peintures à base de plomb
- La silice cristalline des briques et du ciment et autres matériaux de maçonnerie
- La poussière d'amiante
- L'arsenic et le chrome du bois d'œuvre traité chimiquement

CONSERVEZ CES INSTRUCTIONS.

Consultez-les souvent et utilisez-les pour instruire les autres.

Si vous prêtez cet outil à quelqu'un, prêtez-lui aussi ces instructions.

RÈGLES DE SÉCURITÉ DE LA SCIE DE TABLE

⚠ AVERTISSEMENT Le non-respect de ces règles peut provoquer des blessures graves.

- **VOIR LA SECTION RÈGLES DE SÉCURITÉ GÉNÉRALES DES OUTILS ÉLECTRIQUES DU PRÉSENT MANUEL.** Lisez le manuel d'instructions en intégralité avant d'utiliser la scie. Apprendre la bonne utilisation et les limites de la scie, ainsi que les dangers potentiels connexes, pour minimiser le risque d'accidents et de blessures. Assurez-vous que tous les opérateurs soient familiarisés avec les avertissements et les instructions avant d'utiliser la scie.
- **VOIR LA SECTION BRANCHEMENTS ÉLECTRIQUES DU PRÉSENT MANUEL** pour les instructions et les avertissements relatifs aux cordons d'alimentation et aux branchements électriques.

TERMINOLOGIE

Les termes suivants seront utilisés dans le manuel et vous devez les connaître.

- « Coupe transversale » désigne toute coupe qui traverse complètement la pièce.
- « Coupe non-transversale » désigne toute coupe qui ne traverse pas complètement la pièce.
- « Poussoir » désigne un bâton en bois ou en plastique, généralement fait maison, qui est utilisé pour pousser une petite pièce à travers la scie et ainsi maintenir les mains de l'opérateur à distance de la lame.
- Le « rebond » se produit lorsque la lame de scie se coince dans la coupe ou entre la lame et le guide et projette la pièce en arrière vers l'opérateur.
- « Main levée » désigne la coupe effectuée sans guide à onglets ou guide longitudinal ou sans aucun moyen de guidage ou de maintien de la pièce autre que la main de l'opérateur.
- « Coupe en plongée » désigne des coupes aveugles dans la pièce effectuées soit en élevant la lame à travers la pièce, soit en abaissant la pièce vers la lame.
- « Recoupe » désigne le fait de retourner la pièce pour faire une coupe que la scie n'est pas capable d'effectuer en un seul passage.
- « Coupe courbée », également appelée coupe corniche, est une opération où la pièce est passée en position inclinée à travers la lame.

⚠ AVERTISSEMENT Le non-respect de ces règles peut provoquer des blessures graves.

1. **N'effectuez JAMAIS** de coupe à main levée, de coupe en plongée, de recoupe ou de coupe courbée.
2. **PORTEZ DES LUNETTES DE PROTECTION**, des vêtements appropriés, une protection auditive et une protection contre la poussière comme spécifié dans la section Règles de sécurité générales des outils électriques du présent manuel.
3. **UTILISER LE PROTÈGE-LAME DE LA SCIE, LE COUTEAU DIVISEUR ET LES DOIGTS ANTI-RETOUR.** Votre scie est équipée d'un protège-lame modulaire, d'un couteau diviseur et d'un ensemble de doigts anti-retour, dont chaque composant doit être utilisé dans toutes les opérations possibles, y compris les coupes transversales. Cet ensemble est examiné plus en détail ci-dessous. Assurez-vous que les composants sont correctement installés avant l'utilisation.
4. **GARDER LES MAINS ET LES AUTRES PARTIES DU CORPS HORS DE LA TRAJECTOIRE DE LA LAME.** NE mettez jamais une partie de votre corps dans la trajectoire de la lame de scie.
5. **UTILISER UN POUSSOIR** approprié à l'opération en cours pour pousser et maintenir une pièce jusqu'à ce que la coupe soit terminée. Un poussoir est un bâton en bois ou en plastique, généralement fait maison, qui doit être utilisé chaque fois que la taille ou la forme de la pièce vous amènerait à placer vos mains à moins de 6 po (152 mm) de la lame. Les instructions pour fabriquer un poussoir sont incluses dans ce manuel.
6. **ÉVITER LE REBOND.** Portez une attention particulière aux instructions (ci-dessous) pour réduire le risque de rebond.
7. **PAS DE COUPES À MAIN LEVÉE.** Utilisez un guide longitudinal, un guide à onglets ou d'autres dispositifs appropriés pour guider ou maintenir la pièce. Utilisez des serre-tôles, des gabarits, des accessoires ou des planches à languettes pour aider à guider et contrôler la pièce. Les accessoires à utiliser avec votre scie sont disponibles auprès de votre revendeur local ou un centre de service agréé, moyennant un coût supplémentaire.
8. **NE PAS UTILISER LE GUIDE LONGITUDINAL ET LE GUIDE À ONGLETS EN MÊME TEMPS.**
9. **NE PAS TENDRE LE BRAS PAR-DESSUS/AUTOUR DE LA SCIE.** Ne tendez pas le bras par dessus, derrière ou autour de l'outil de coupe pendant que la lame est en mouvement.
10. **STABILITÉ.** Assurez-vous que la scie de table est correctement assemblée et placée sur une surface stable avant de l'utiliser afin qu'elle ne se déplace pas pendant la coupe.
11. **ASSEMBLAGE CORRECT.** N'utilisez pas cette scie avant qu'elle soit entièrement assemblée et installée conformément aux instructions.
12. **VÉRIFIER LA PIÈCE ET L'INSTALLATION** avant chaque opération. La présence de nœuds, irrégularités ou clous dans la pièce, les erreurs de positionnement ou une installation incomplète peuvent gêner ou affecter les performances de la scie, ainsi que la sécurité des personnes.
13. **UTILISER UNE PLAQUE À GORGE APPROPRIÉE.** La plaque à gorge appropriée doit être en place et bien fixée en permanence afin de réduire le risque de projection d'une pièce et les blessures.

RÈGLES DE SÉCURITÉ DE LA SCIE DE TABLE (suite)

14. **UTILISER LA LAME ET LE COUTEAU DIVISEUR APPROPRIÉS** pour l'opération prévue. La lame doit être installée de sorte que les pointes des dents soient dirigées vers l'avant de la scie. N'utilisez pas de lame surdimensionnée ou de lame avec une ouverture d'arbre incorrecte. Serrez toujours fermement l'écrou de l'arbre de la lame. Avant utilisation, vérifiez la lame pour fissures ou dents manquantes. N'utilisez pas de lames émoussées ou endommagées. Utilisez toujours des lames dans la gamme d'épaisseurs pour laquelle le couteau diviseur est conçu.
15. **ÉVITER LES OPÉRATIONS ET LES POSITIONS INCONFORTABLES DE LA MAIN** où un glissement soudain peut entraîner la main sur une lame de scie. Utilisez la scie avec une table à ou proche du niveau de la taille pour un équilibre et un contrôle maximum. Anticipez les effets liés à la taille de la pièce sur votre capacité à ajuster la position et garder le contrôle jusqu'à la fin de la coupe.
16. **GARDER LES BRAS, LES MAINS ET LES DOIGTS À AU MOINS SIX POUÇES DE LA LAME.**
17. **NE JAMAIS COUPER DES MÉTAUX, DES PANNEAUX DE CIMENT OU DE LA MAÇONNERIE.** Certains matériaux synthétiques ont des instructions spéciales pour la coupe sur scie à table. Suivez les recommandations du fabricant en permanence.
18. **NE JAMAIS TENTER DE DÉBLOQUER UNE PIÈCE COINCÉE OU BLOQUÉE** sans d'abord éteindre la machine et débrancher la scie de la source d'alimentation.
19. **NE JAMAIS DÉMARRER LA MACHINE AVEC LA PIÈCE CONTRE LA LAME** afin de réduire le risque de projection de la pièce.
20. **NE JAMAIS EFFECTUER DES TRAVAUX D'ARRANGEMENT, D'ASSEMBLAGE OU DE PRÉPARATION SUR LA TABLE OU L'ESPACE DE TRAVAIL** pendant que la scie est en marche.
21. **AVANT DE LAISSER LA SCIE**, attendre que la lame s'arrête complètement, puis la débrancher de la source d'alimentation, nettoyer la table et l'espace de travail et verrouiller l'interrupteur pour empêcher toute utilisation non autorisée.
22. **SOUTENIR LA PIÈCE** en fonction de sa taille et du type d'opération à effectuer. Maintenez fermement la pièce contre le guide et contre la surface de la table. Ne laissez pas un panneau large ou une planche longue (ou une autre pièce volumineuse) sans soutien - en raison de son poids, la planche risquerait de se déplacer sur la table, entraînant ainsi une perte de contrôle.
23. **DES BRUITS INCONNUS OU DES VIBRATIONS EXCESSIVES** peuvent indiquer un problème avec votre scie. Dans ce cas, mettez-la hors tension et débranchez-la de la source d'alimentation jusqu'à ce que le problème ait été trouvé et corrigé. Si le problème persiste, contactez le service à la clientèle.
24. **DEMANDEZ CONSEIL** à votre superviseur, formateur ou autre personne qualifiée si vous ne savez pas parfaitement comment fonctionne cet appareil.

ENSEMBLE PROTÈGE-LAME, DOIGTS ANTI-RETOUR ET COUTEAU DIVISEUR DE LA SCIE

Votre scie de table est équipée d'un ensemble protège-lame, doigts anti-retour et couteau diviseur qui couvre la lame et réduit la possibilité de contact accidentel avec la lame. Le couteau diviseur est une plaque plane qui s'insère dans la coupe faite par la lame de la scie et permet de minimiser les rebonds en réduisant la tendance de la lame à se coincer dans la coupe. Deux doigts anti-retour sont situés sur les côtés du couteau diviseur qui permettent au bois de passer à travers la lame dans la direction de coupe, mais qui réduisent le risque de projection du matériau vers l'arrière sur l'opérateur. Le protège-lame et les doigts anti-retour ne peuvent être utilisés que pour des coupes qui traversent le bois. Lors de feuillures et autres coupes non-traversantes, le protège-lame et les doigts anti-retour doivent être enlevés et le couteau diviseur abaissé à la position de coupe non-traversante indiquée sur le couteau diviseur.

Utilisez tous les éléments du système de protection (ensemble protège-lame, couteau diviseur et doigts anti-retour) pour chaque opération dans laquelle ils peuvent être utilisés, y compris dans la coupe traversante. Si vous choisissez de ne pas utiliser l'un de ces éléments pour une application particulière, redoublez de prudence vis-à-vis du contrôle de la pièce, de l'utilisation des poussoirs, la position de vos mains par rapport à la lame, l'utilisation de lunettes de sécurité, les moyens d'éviter le rebond et toutes les autres mises en garde contenues dans ce manuel et sur la scie elle-même. Réinstallez les éléments de protection dès que vous revenez à des opérations de coupe traversante. Gardez l'ensemble de protection en bon état de fonctionnement.

RÈGLES DE SÉCURITÉ DE LA SCIE DE TABLE (suite)

FABRIQUER UN POUSSOIR

Pour utiliser votre scie de table en toute sécurité, vous devez utiliser un poussoir lorsque, en raison de la taille ou de la forme de la pièce, vos mains se trouveraient à une distance inférieure à 6 pouces (152 mm) de la lame de la scie ou d'un autre couteau. Un poussoir est inclus avec cette scie.

Il n'est pas nécessaire d'utiliser un bois particulier pour fabriquer des poussoirs à condition qu'ils soient solides et suffisamment longs et que le bois soit exempt de nœuds, gerces et fissures. On recommande une longueur de 16 pouces (400 mm) avec une encoche qui s'adapte contre le bord de la pièce pour éviter tout glissement. Il est pratique d'avoir sous la

main plusieurs poussoirs de 16 pouces (400 mm) de long avec des encoches de différentes tailles pour s'adapter à différentes épaisseurs de pièce.

La forme peut varier en fonction de vos propres besoins tant qu'elle exerce sa fonction prévue de garder vos mains à distance de la lame. Orienter l'encoche de sorte que le poussoir puisse être maintenu à un angle de 20 à 30 degrés de la table à scie vous aidera à maintenir la pièce contre la table tout en la déplaçant à travers la scie. Reportez-vous au schéma de la section Accessoires de coupe à la page 24 du présent manuel.

REBONDS

Les rebonds peuvent causer des blessures graves. Un rebond se produit lorsque la pièce pince la lame ou se coince entre la lame de la scie et le guide longitudinal ou tout autre élément fixe et se soulève de la table pour être projetée vers l'opérateur. Les rebonds peuvent être évités en faisant attention aux conditions suivantes.

COMMENT RÉDUIRE LE RISQUE DE REBOND ET VOUS PROTÉGER CONTRE D'ÉVENTUELLES BLESSURES :

- S'assurer que le guide longitudinal est parallèle à la lame de la scie.
- **NE PAS** exécuter une coupe en exerçant une pression sur la portion fixe de la pièce qui deviendra la pièce coupée (libre). Au cours d'une coupe longitudinale, il est nécessaire d'exercer une pression entre la lame de la scie et le guide. Utiliser un poussoir pour les pièces courtes de 6 pouces (152 mm) de largeur ou moins.
- Maintenir le protège-lame, le couteau diviseur et l'ensemble anti-retour en position et en bon état de fonctionnement. Le couteau diviseur doit être aligné avec la lame de la scie et l'ensemble anti-retour doit arrêter un effet de rebond une fois la machine amorcée. Vérifier le bon fonctionnement de l'ensemble anti-retour avant la coupe longitudinale en poussant une pièce de bois sous l'ensemble anti-retour. Les dents doivent empêcher la projection de la pièce de bois vers l'avant de la scie. Si un élément de l'ensemble n'est pas opérationnel, retournez-le au centre de service agréé le plus proche pour réparation.

- Il est possible de couper des matières plastiques et composites (comme des panneaux durs) avec la scie. Toutefois, puisque ces matières sont généralement très dures et glissantes, il est possible que les doigts anti-retour ne puissent pas contenir un effet de rebond. Il faut donc suivre attentivement les procédures d'installation et de coupe lors de coupes longitudinales.
- Utiliser un ensemble de protège-lame, de doigts anti-retour et couteau diviseur pour toutes les opérations où cela est possible, y compris en cas de coupe traversante.
- Lors de coupes longitudinales, pousser la pièce de l'autre côté de la lame de scie avant de relâcher la pièce.
- **NE JAMAIS** effectuer une coupe longitudinale sur une pièce qui est tordue ou déformée ou qui n'a pas de bord droit à faire glisser le long du guide.
- **NE JAMAIS** scier une grande pièce qui ne peut pas être contrôlée.
- **NE JAMAIS** utiliser le guide comme une butée longitudinale lors des coupes transversales.
- **NE JAMAIS** scier une pièce qui présente des nœuds instables, des défauts, des clous ou tout autre corps étranger.
- **NE JAMAIS** couper une pièce de moins de 10 pouces (254 mm).
- **NE JAMAIS** utiliser une lame émoussée. Une lame émoussée doit être remplacée ou affûtée.

BRANCHEMENTS ÉLECTRIQUES

SOURCE D'ALIMENTATION

Cette scie est équipée d'un moteur de 13 ampères pour une utilisation sur courant alternatif de 120 volts et 60 Hz. Elle peut être à nouveau câblée par un électricien qualifié pour une utilisation avec une source d'alimentation de 240 volts. Voir les instructions ci-dessous concernant les branchements appropriés pour le câblage de votre scie.

Pour la tension, le câblage de l'atelier est aussi important que la puissance du moteur. Une ligne conçue uniquement pour l'éclairage peut ne pas être en mesure de transférer correctement le courant nécessaire au moteur d'un outil électrique; un fil suffisamment épais pour une distance courte peut être trop fin pour une distance plus longue, et une ligne pouvant supporter un outil électrique peut ne pas être en mesure de supporter deux ou trois outils.

⚠ DANGER NE PAS UTILISER L'APPAREIL DANS UN ENDROIT HUMIDE OU MOUILLÉ ET NE PAS L'EXPOSER À LA PLUIE.

RALLONGES

⚠ DANGER N'utilisez jamais une rallonge endommagée. Vérifiez les rallonges avant chaque utilisation. Si la rallonge est endommagée, remplacez-la immédiatement. Toucher la zone endommagée pourrait provoquer un choc électrique entraînant des blessures graves.

⚠ ATTENTION Maintenez la rallonge hors de l'espace de travail. Positionnez le cordon afin qu'il n'accroche pas aux pièces de bois, outils et autres obstacles.

- Utilisez des rallonges appropriées. Lorsque vous utilisez une rallonge, assurez-vous qu'elle soit d'un calibre suffisamment élevé pour alimenter la machine en électricité. Une rallonge d'un calibre trop petit provoquera une chute de tension, entraînant une perte de puissance et une surchauffe. Le tableau ci-dessous indique le calibre maximal à utiliser en fonction de la longueur du cordon. En cas de doute, utilisez le calibre immédiatement supérieur. Plus le numéro de calibre est petit, plus le cordon est épais. Utilisez exclusivement des cordons ronds, chemisés, répertoriés par Underwriters Laboratories (UL).

Un circuit électrique séparé devrait être utilisé pour vos appareils. Les fils du circuit doivent être au moins de calibre 12 et être protégés par un fusible à action différée de 20 ampères. Si vous utilisez une rallonge, utilisez uniquement des rallonges à trois fils avec des fiches de mise à la terre à trois broches et la prise correspondante qui acceptera la fiche de la machine. Avant de raccorder la machine à l'alimentation, s'assurer que le ou les interrupteurs sont sur la position « OFF » (arrêt) et que le courant électrique possède les mêmes caractéristiques que celles indiquées sur la machine. Une chute de tension importante entraînera une perte de puissance et une surchauffe du moteur. Cela peut également endommager la machine.

CALIBRE MINIMUM POUR RALLONGE			
CALIBRES RECOMMANDÉS POUR UTILISATION SUR DES APPAREILS ÉLECTRIQUES STATIONNAIRES			
Intensité	Volts	Longueur totale du cordon en pieds	Calibre de la rallonge
0-6	120	Jusqu'à 25	18 AWG
0-6	120	25-50	16 AWG
0-6	120	50-100	16 AWG
0-6	120	100-150	14 AWG
6-10	120	Jusqu'à 25	18 AWG
6-10	120	25-50	16 AWG
6-10	120	50-100	14 AWG
6-10	120	100-150	12 AWG
10-12	120	Jusqu'à 25	16 AWG
10-12	120	25-50	16 AWG
10-12	120	50-100	14 AWG
10-12	120	100-150	12 AWG
12-16	120	Jusqu'à 25	14 AWG
12-16	120	25-50	12 AWG
12-16	120	IL EST DÉCONSEILLÉ DE DÉPASSER 50 PIEDS (15,24 M).	

DÉBALLAGE

⚠ AVERTISSEMENT

- La machine est lourde, deux personnes sont nécessaires pour la déballer et la soulever.
- Placez une courroie de sécurité autour de la machine pour éviter qu'elle bascule lors du levage.
- Avant d'assembler et d'utiliser la machine, lisez attentivement ce manuel pour vous familiariser avec les procédures d'assemblage, d'entretien et de sécurité appropriées.

Vérifiez que l'emballage d'expédition et la machine ne sont pas endommagés avant de le déballer. Retirez délicatement les composants de la couche de mousse supérieure. Enlevez la couche de mousse supérieure, puis retirez tous les composants de la couche de mousse inférieure. Posez toutes les pièces sur un morceau de carton ou autre surface plane et propre. Au moins deux personnes ou plus sont nécessaires pour sortir la scie du carton. Toujours vérifier et retirer

LISTE DES COMPOSANTS

- A. Scie Delta 36-6010 10 pouces
- B. Guide
- C. Lame de scie de 10 pouces
- D. Doigts anti retour
- E. Protection de lame
- F. Plaque à gorge
- G. Guide d'ongletssupport

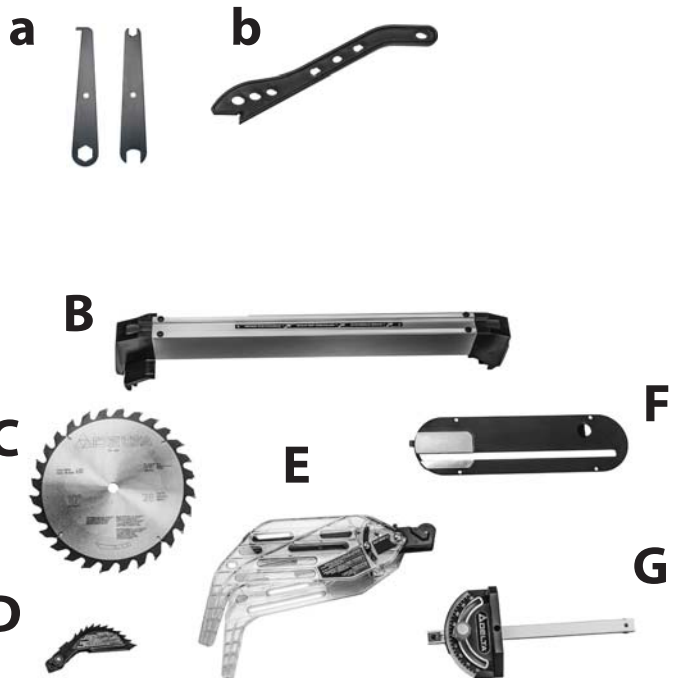
les matériaux d'emballage de protection autour des moteurs et des pièces mobiles. Ne jetez pas le carton d'expédition et les matériaux d'emballage avant d'en avoir soigneusement vérifié le contenu, assemblé la machine et être certain qu'elle fonctionne correctement.

Comparez le contenu du colis avec la liste des composants et des pièces et la liste des sachets de quincaillerie avant l'assemblage pour vous assurer que rien ne manque. Inspectez soigneusement les pièces pour vous assurer qu'il n'y a eu aucun dommage pendant le transport. Si des pièces sont manquantes, endommagées ou pré montées, ne pas assembler. Au lieu de cela, appelez le Service à la clientèle DELTA® au 1-800-223-7278 pour obtenir de l'aide.

Après le montage, retirez les matériaux et enduits de protection de toutes les pièces et de la scie de table. Les enduits de protection peuvent être retirés en les pulvérisant de WD-40® et en les essuyant avec un chiffon doux. Il peut être nécessaire de renouveler cette étape plusieurs fois avant que tous les enduits de protection soient complètement enlevés.

Les objets suivants seront trouvés dans leur zones respectives de stockage situées sur la scie

- a. Clés de lame (2)
- b. Bâton poussoir



DÉBALLAGE (suite)

CONTENU DES SACS 1 & 2 DE QUINCAILLERIE

Description (qté)

- A. Clé Allen 5MM (1)
- B. Vis creuse hex. à tête ronde M6x20 (2)
- C. Vis à épaulement de poignée de roue (1)
- D. Bouton de réglage de la hauteur



A



B



C



D

MONTAGE

⚠ ATTENTION

- Ne soulevez pas la scie sans aide. Tenez-la près de votre corps en soulevant. Gardez les genoux pliés et soulevez en utilisant les jambes, pas le dos.
- Assemblez complètement la scie avec le piètement avant de l'utiliser.
- Le piètement est une partie intégrante et nécessaire de la structure de support de cette scie.
- Ne modifiez pas la scie, ne créez pas d'accessoires non recommandés pour utilisation avec cette scie.

- Assurez-vous que l'interrupteur d'alimentation est en position « OFF » (arrêt) avant de brancher l'alimentation électrique. Ne branchez pas sur le secteur avant que le montage soit terminé.

⚠ ATTENTION

- Évitez tout contact avec les dents de la lame. Laissez la lame rangée ou abaissée si possible.

LAME ET PROTECTIONS

Attacher la lame

Installer le bouton de réglage de hauteur comme indiqué sur la page 38 Fig. 1 et relance moteur/arbor l'Assemblée à la position la plus haute pour fournir un accès facile à l'ensemble de couteau de verrouillage bouton et arbor de diviseur.

Retirer le couteau diviseur en desserrant son bouton de verrouillage (A) jusqu'au bout. Pousser à l'intérieur le bouton de verrouillage actionné par ressort et retirer le couteau diviseur en le tirant vers le haut et vers l'avant de la scie. (B)

Voir Figure 1.

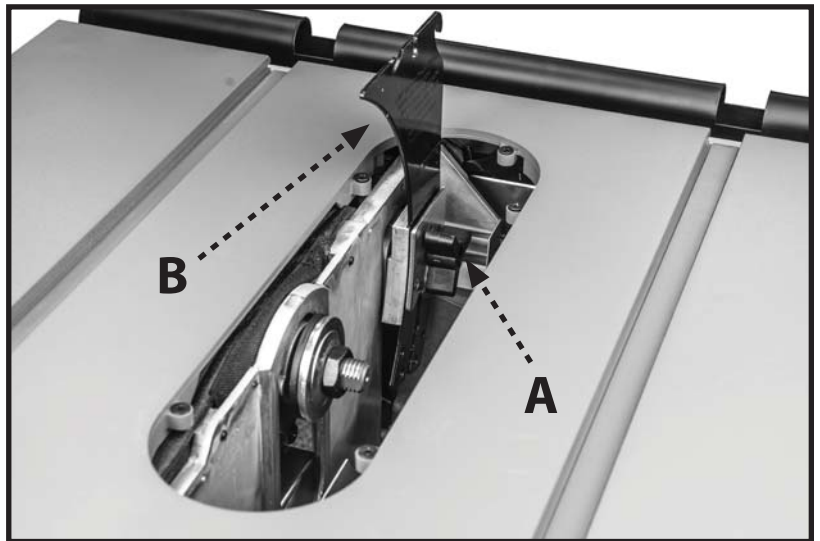


FIGURE 1

Détacher les clés stockées sur la scie situées sur le côté droit de celle-ci en desserrant et en retirant l'écrou à ailettes M8.

Placer la clé à extrémité ouverte (A) dans l'épaulement d'arbre entre la bride de l'axe et la bride intérieure. Placer la clé à extrémité fermée sur l'écrou de l'axe. (B) Maintenir l'axe d'arbre en place, et desserrer et retirer l'écrou d'axe et la bride de l'axe.

Voir Figure 2.



FIGURE 2

Placer la lame sur l'axe d'arbre avec les dents dirigées vers le bas. (A) (L'étiquette sur la lame doit être située sur la gauche)

Replacer la bride de l'axe et fixer l'écrou d'axe à l'aide des deux clés.

Replacer le couteau diviseur.

Replacer les clés stockées sur la scie et les fixer sur celle-ci à l'aide de l'écrou à ailettes.

Voir Figure 3.

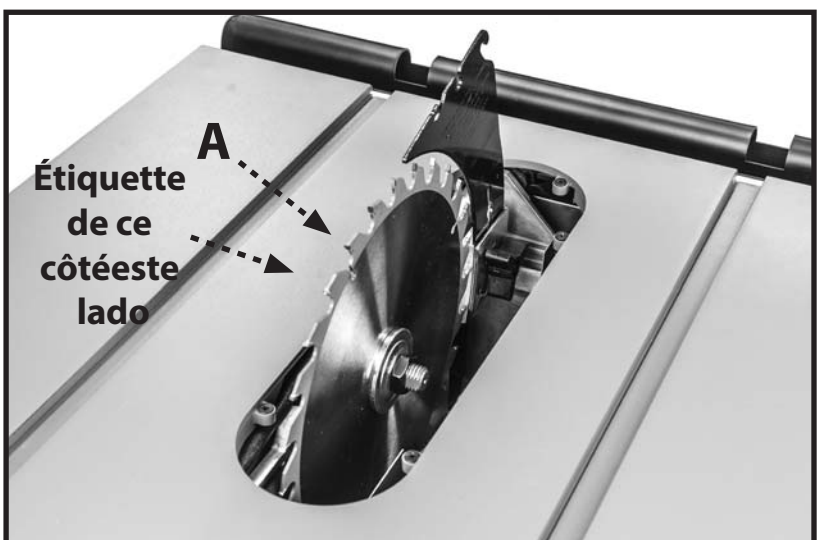


FIGURE 3

MONTAGE (suite)

Insérer la plaque à gorge

Référez-vous à la Figure 4.

Mettez en place la plaque à gorge avec la plaque d'usure (A) à l'arrière.

Engagez la languette arrière de la plaque à gorge avec l'établi et appuyez sur l'extrémité avant jusqu'à ce que la languette avant (B) soit engagée avec l'établi.

Mettez à niveau la plaque à gorge avec l'établi à l'aide de (4) vis à tête plate. Voir la Figure 37 en page 50.

NOTE: Il ya un cinquième vis à tête plate sous la plaque de la gorge qui est ajusté pour fournir un appui sous la plaque d'usure. Ajustez cette vis que nécessaire pour fournir un appui.

NOTE : N'essayez pas de fixer la plaque à gorge sur l'établi à l'aide des vis de mise à niveau.

Doigts anti retour et carter de lame

Insérez l'ensemble de doigts sur la fente la plus arrière sur le couteau diviseur (A) tel illustré en Figure 5 et appuyez sur la goupille à ressort (B) située à droite de l'ensemble de doigts.

Une fois insérée, relâchez la goupille à ressort pour qu'elle retourne en place. Assurez-vous qu'elle est verrouillée en place.

Tenez l'ensemble de carter de protection de la lame tel illustré en Figure 6 et engagez la goupille (A) dans la fente du couteau diviseur (B). Tirez l'ensemble de carter vers le haut pour le mettre en place.

Faites tourner les protections de lame de sorte que les bras (A) soient parallèles à l'établi. Verrouillez ensuite le carter de lame en place en appuyant sur le dispositif de verrouillage. (B)

Voir la Figure 7.

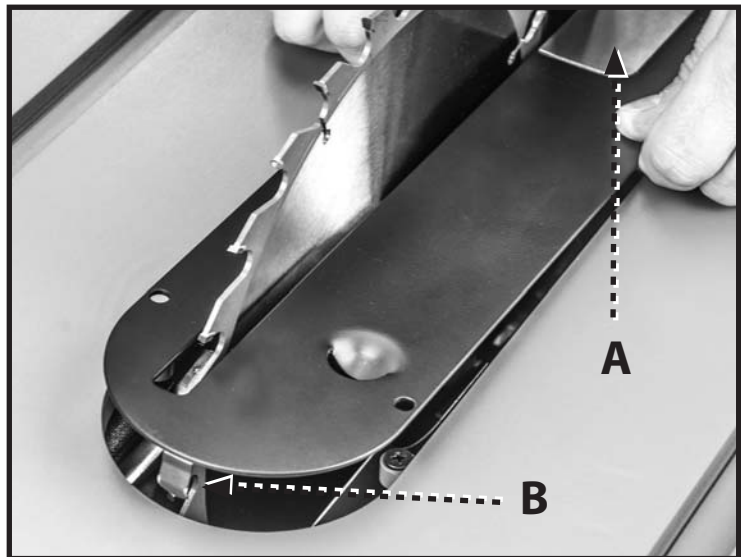


FIGURE 4

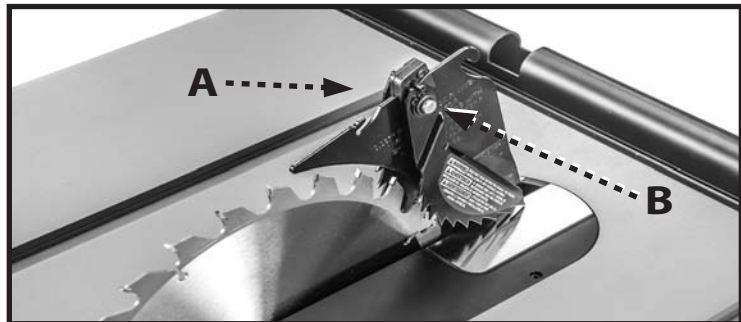


FIGURE 5

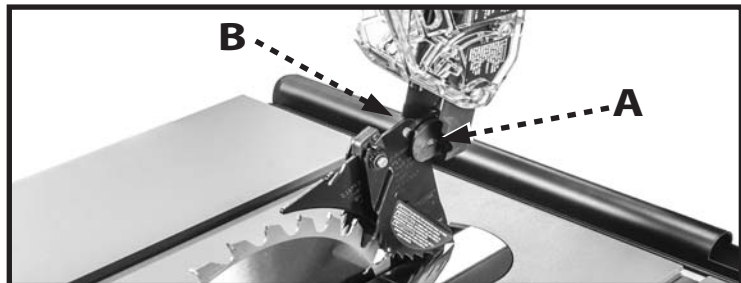


FIGURE 6



FIGURE 7

MONTAGE (suite)

Arrêts des supports de pièces longues

Référez-vous à la Figure 8.

Étendez la rallonge d'établi arrière pour exposer les deux trous (A). Insérez une vis creuse hex. à tête arrondie (B) par en dessous, et serrez avec la clé Allen 5MM fournies.

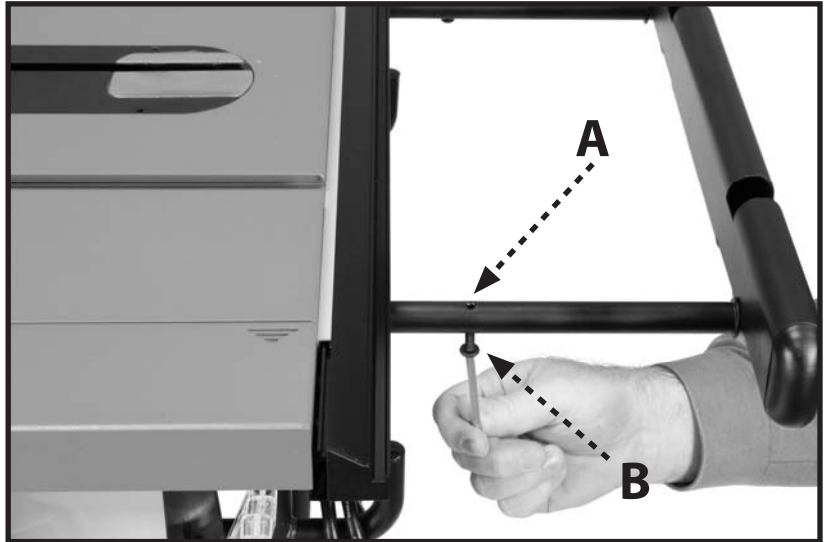


FIGURE 8

Guide

Placez le guide au dessus des rails avant (A) et arrière (B). Assurez-vous que les dispositifs de verrouillage (C) ne sont pas enclenchés (haut).

Abaissez l'extrémité arrière du guide sur le rail arrière et assurez-vous que le dispositif de verrouillage du guide est bien placé sous le rail arrière. Faites de même avec le rail avant.

Enclenchez les deux dispositifs de verrouillage pour serrer le guide en place.

Voir la Figure 9.

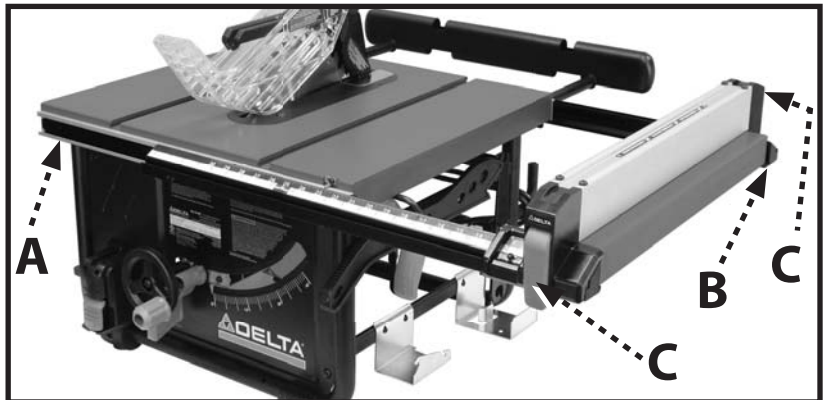


FIGURE 9

STOCKAGE INTERNE

Le stockage est situé sur les panneaux gauche et droit et à l'arrière de l'outil tel illustré en Figures 10& 11.

- A. Bâton poussoir
- B. Ensemble anti retour
- C. Clés
- D. Ensemble carter de lame
- E. Fil électrique
- F. Guide
- G. Guide d'onglets



FIGURE 10



FIGURE 11

Hauteur Bouton de réglage Installation

1. Insérer la vis à épaulement du volant (C) dans le bouton du volant de réglage de la hauteur (D) comme illustré à la Fig 1.
2. Serrer la vis à épaulement au moyen d'un tournevis à pointe cruciforme dans le volant. Le bouton du volant de réglage de la hauteur doit tourner librement autour de la vis à épaulement en soulevant ou en abaissant la lame avec le volant de réglage de la

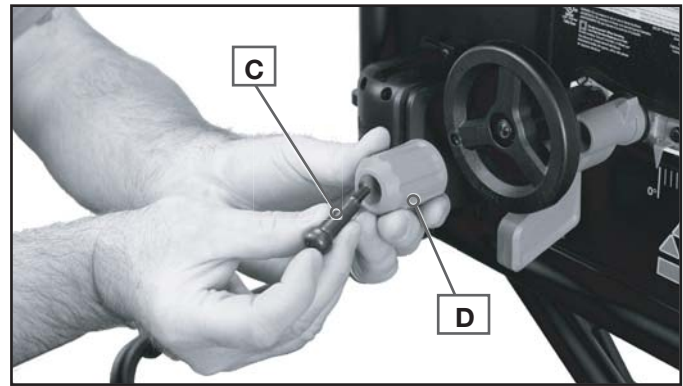


Fig. 1

FONCTIONNEMENT

⚠ AVERTISSEMENT Le non-respect des avertissements suivants peut entraîner des blessures graves.

LIRE LE MANUEL EN ENTIER. En plus de lire ces instructions de fonctionnement, il est important de lire et comprendre le manuel en entier avant d'utiliser cette scie. Suivez toutes les instructions en vigueur concernant l'assemblage, la préparation et l'ajustement avant d'effectuer des coupes et conformez-vous à toutes les règles de sécurité et tous les avertissements dans cette section et dans le reste de ce manuel.

1. **Chaque fois que vous utilisez la scie, parcourez la liste de vérification suivante :**
 - La source d'alimentation et les raccordements électriques sont-ils adaptés à la scie ?
 - La scie et la zone de travail sont-elles libres de tout encombrement et de spectateurs ?
 - La lame est-elle bien serrée et bien alignée ?
 - L'épaisseur du couteau diviseur correspond-elle à la lame ?
 - La lame et le couteau diviseur sont-ils correctement alignés ?
 - L'opérateur est-il qualifié pour effectuer des coupes et s'est-il familiarisé avec l'ensemble des règles, avertissements et instructions de sécurité figurant dans ce manuel ?
 - L'opérateur et les autres personnes se trouvant à proximité de la scie portent-ils des équipements de protection oculaire, auditive et respiratoire adéquats ?
 - Les boutons de réglage de l'angle de biseau et de la hauteur sont-ils verrouillés dans la bonne position ?
 - La lame est-elle réglée à la bonne hauteur ?
 - En cas de coupes longitudinales, le guide longitudinal est-il parallèle à la lame et est-il bien verrouillé en position ?
 - En cas de coupes transversales, le bouton du guide à onglets est-il bien serré ?
 - En cas de coupes traversantes avec une lame standard, le protège-lame, le couteau diviseur et les doigts anti-retour sont-ils correctement reliés et fonctionnent-ils correctement avec les deux protège-lame en contact avec la surface de la table ?
 - Y a-t-il un dégagement et un soutien adéquats pour la pièce lorsqu'elle quitte la lame ?
 - Des accessoires de coupe sont-ils nécessaires ? Si oui, sont-ils en place ou à portée de main pour une utilisation correcte ?
2. **L'utilisation de pièces et accessoires non recommandés par DELTA® Power Equipment Corporation peut entraîner des blessures.**
3. **Remplacez ou affûtez les doigts anti-retour lorsque les pointes deviennent ternes.**
4. **Assurez-vous que la scie est stable et que la coupe peut être réalisée sans renverser la scie.**
5. **Ne jamais utiliser le guide et le guide d'onglets en même temps sans l'aide d'un bloc coupé, comme décrit précédemment.**
6. **La plaque à gorge appropriée doit être en place en permanence.**
7. **Si votre scie produit un bruit étrange ou si elle vibre excessivement, arrêtez-la immédiatement jusqu'à ce que la cause soit localisée et le problème corrigé.**
8. **Ne jamais effectuer de coupe à main levée, coupe en plongée, recoupe ou coupe courbée.**

ÉVITER LE REBOND

Un rebond peut se produire lorsque la pièce pince la lame ou se coince entre la lame et le guide longitudinal ou tout autre élément fixe. Cela peut entraîner le soulèvement et/ou la projection de la pièce vers l'opérateur. Voir les instructions pour réduire le risque de rebond à la page 38 de ce manuel.

EN CAS DE REBOND, éteignez la scie (« OFF ») et vérifiez le bon alignement de la lame, du couteau diviseur et du guide à onglets ou du guide longitudinal et le bon fonctionnement du couteau diviseur, de l'ensemble anti-retour et de l'ensemble protège-lame avant de reprendre le travail.

DÉMARRAGE ET ARRÊT DE LA SCIE

L'interrupteur MARCHÉ/ARRÊT (on/off) (rouge) est situé sur la gauche du panneau avant de la scie.

ALLUMEZ la scie en relevant l'interrupteur. Enfoncez-le pour ÉTEINDRE la scie.

Voir la Figure 12.

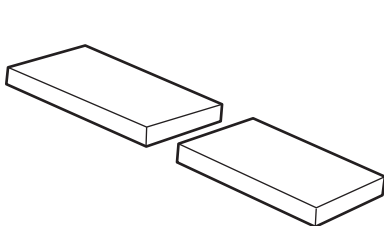


FIGURE 12

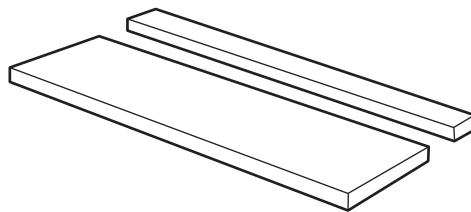
EFFECTUER DES COUPES

⚠ AVERTISSEMENT Le non-respect des avertissements suivants peut entraîner des blessures graves.

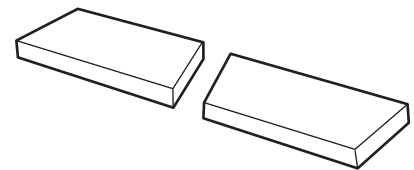
- Ne jamais toucher l'extrémité libre de la pièce ou une pièce libre qui est coupée, pendant que la machine est sous tension et/ou la lame tourne. Le contact avec la lame ou un coincement peuvent se produire, entraînant la projection de la pièce.
 - Lorsque vous sciez une pièce longue ou un panneau, utilisez un support de travail, comme un chevalet de sciage, des rouleaux ou une table de sortie à la même hauteur que la surface de la table de sciage.
 - Ne jamais essayer de retirer la pièce pendant que la lame tourne. Si vous avez besoin de retirer la pièce ou de la soulever hors de la table, coupez le contact, laissez la lame s'arrêter, soulevez les dents anti-retour de chaque côté du couteau diviseur, si nécessaire, puis faites glisser la pièce pour la sortir.
- Avant de connecter la scie sur table à la source d'alimentation ou de faire fonctionner la scie, contrôlez toujours l'alignement et le dégagement de l'ensemble protège-lame et du couteau diviseur par rapport à la lame de la scie. Vérifiez l'alignement après chaque changement de l'angle de biseautage.
 - Un guide longitudinal doit TOUJOURS être utilisé pour les opérations longitudinales afin d'éviter la perte de contrôle et les blessures. Toujours verrouiller la butée au rail. Ne JAMAIS effectuer une opération longitudinale à main levée.
 - Lorsque vous effectuez des coupes en biseau, placez la butée sur le côté droit de la lame de sorte que la lame soit inclinée à l'opposé de la butée et des mains. Gardez les mains éloignées de la lame et utilisez un poussoir pour faire avancer la pièce à moins que la pièce soit assez grande pour vous permettre de la tenir à plus de 6 pouces (152 mm) de la lame.
 - Avant de laisser la scie sans surveillance, verrouillez le commutateur d'alimentation ou prenez d'autres mesures appropriées pour empêcher toute utilisation non autorisée de la scie.



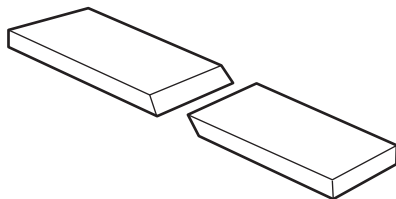
Coupe transversale



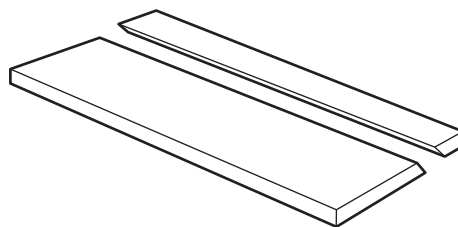
Coupe longitudinale



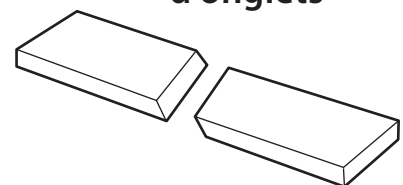
Coupe transversale d'onglets



Coupe transversale en biseau



Coupe longitudinale en biseau



Coupe d'onglets composée

EFFECTUER DES COUPES (suite)

COUPE LONGITUDINALE

1. Retirez le guide à onglets.
2. Assurez-vous que l'angle de biseau est réglé sur 0° .
3. Réglez la lame à la hauteur correcte pour la pièce.
4. Installez le guide longitudinal et verrouillez-le parallèlement à la lame et à la distance désirée de la lame.
5. Gardez les doigts à au moins 6 pouces (152,39 mm) de la lame en permanence. Lorsqu'il est impossible de passer la main en toute sécurité entre la lame et le guide longitudinal, choisissez une pièce plus grande ou utilisez un poussoir et d'autres accessoires de coupe, au besoin, pour contrôler la pièce.
6. Assurez-vous que la pièce est éloignée de la lame (au moins 1 pouce ou 25 mm de distance) avant de démarrer la scie.
7. Allumez la scie.
8. Maintenez la pièce à plat sur la table et contre le guide (A). La pièce doit avoir un bord droit contre le guide et ne doit pas être déformée, tordue ou courbée. Voir la position correcte des mains dans la Figure 13.
9. Laissez la lame atteindre sa pleine vitesse avant de déplacer la pièce vers la lame.
10. Il est possible d'utiliser les deux mains pour débiter la coupe, aussi longtemps que les mains restent à 6 pouces (152,39 mm) de la lame.
11. Maintenez la pièce contre la table et le guide et déplacez lentement la pièce vers l'arrière à travers la lame de la scie. Ne surchargez pas le moteur en forçant la pièce vers la lame.

12. Utilisez le poussoir et d'autres accessoires de coupe, au besoin, pour maintenir la pièce contre la table et le guide, et poussez la pièce de l'autre côté de la lame. Un poussoir est fourni avec cette scie et des instructions sont incluses pour construire des poussoirs supplémentaires et d'autres accessoires de coupe.
13. Ne poussez pas et ne tenez pas l'extrémité libre ou coupée de la pièce.
14. Continuez à pousser la pièce jusqu'à ce qu'elle soit éloignée de la lame. Ne surchargez pas le moteur en forçant la pièce vers la lame.
15. Quand la coupe est terminée, éteignez la scie. Attendez que la lame s'arrête complètement avant de retirer la pièce de la table.

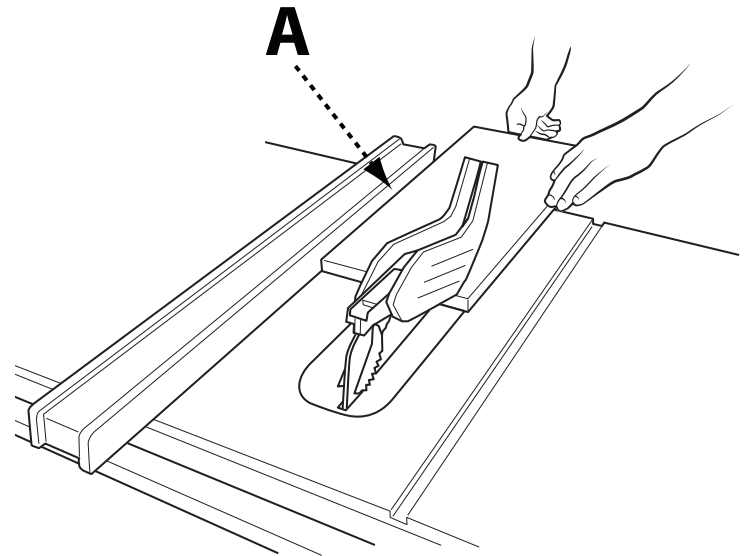


FIGURE 13

COUPE EN BISEAU

La coupe en biseau est identique à la coupe simple, sauf que l'angle de biseau (A) est réglé sur un angle autre que 0° . Lorsque vous effectuez une coupe longitudinale en biseau, placez la butée sur le côté droit de la lame de sorte que la lame soit inclinée à l'opposé de la butée et des mains.

Voir la Figure 14.

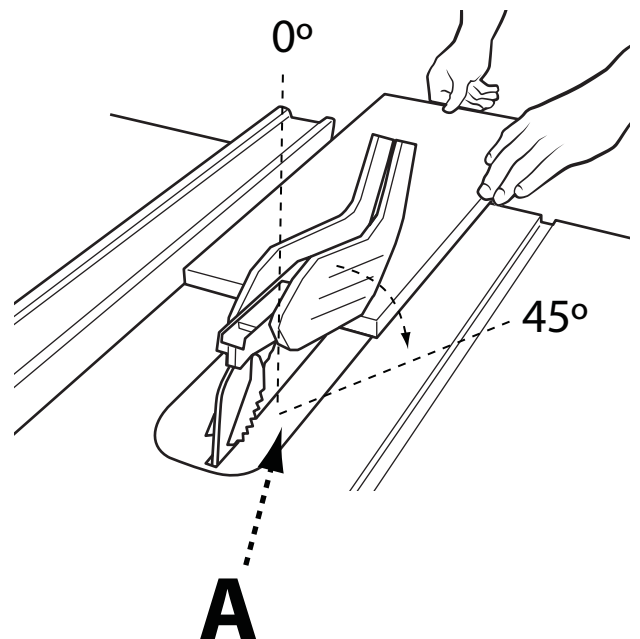


FIGURE 14

EFFECTUER DES COUPES (suite)

COUPE TRANSVERSALE

⚠ AVERTISSEMENT

- **NE JAMAIS** utiliser le guide comme une butée longitudinale lors des coupes transversales.
- La pièce coupée ne doit jamais être coincée pendant une opération de coupe traversante (couper complètement à travers la pièce) - pour empêcher le pincement de la lame, ce qui pourrait entraîner la projection de la pièce et des blessures potentielles.
- Lorsque vous utilisez un bloc comme guide de coupure, le bloc doit faire au moins $\frac{3}{4}$ pouces (19 mm) d'épaisseur. Il est très important que l'extrémité arrière du bloc soit fixée dans une position où la pièce est éloignée du bloc avant son entrée dans la lame pour éviter le coincement de la pièce.

Vous pouvez utiliser le guide à onglets dans l'une des fentes de la table pour les coupes pas en biseau. Pour augmenter la surface du revêtement du guide à onglets, ajoutez un revêtement auxiliaire (voir la section Accessoires de coupe à la page 24 de ce guide).

Pour effectuer une coupe transversale, reportez-vous à la Figure 15 et suivez ce processus :

1. Retirez le guide longitudinal.
2. Assurez-vous que l'angle de biseau est réglé sur 0° .
3. Réglez la lame à la hauteur correcte pour la pièce.
4. Placez le guide à onglets dans l'une des fentes d'onglet.
5. Réglez le guide à onglets sur 0° et serrez le bouton de verrouillage du guide à onglets
6. Les mains doivent rester à au moins 6 pouces (152,39 mm) de la lame tout au long de la coupe. Si la pièce est trop petite pour garder les mains à au moins 6 pouces de la lame, choisissez une pièce plus grande ou fixez un revêtement auxiliaire au guide à onglets et fixez la pièce au revêtement auxiliaire. Pour des instructions sur la

fabrication de revêtements auxiliaires, voir la section Accessoires de coupe à la page 24 de ce guide.

7. Assurez-vous que la pièce est éloignée de la lame - au moins 1 pouce ou 25 mm de distance - avant de démarrer la scie.
8. Allumez la scie.
9. Laissez la lame atteindre sa pleine vitesse avant de déplacer la pièce vers la lame.
10. La main la plus proche de la lame doit être placée sur le bouton de verrouillage du guide à onglets et la main la plus éloignée de la lame doit tenir fermement la pièce contre le revêtement du guide à onglets. Ne poussez pas et ne tenez pas l'extrémité libre ou coupée de la pièce.
11. Poussez lentement la pièce en arrière à travers la lame de la scie. Ne surchargez pas le moteur en forçant la pièce vers la lame.
12. Quand la coupe est terminée, éteignez la scie. Attendez que la lame s'arrête complètement avant d'enlever la pièce coupée de la table.

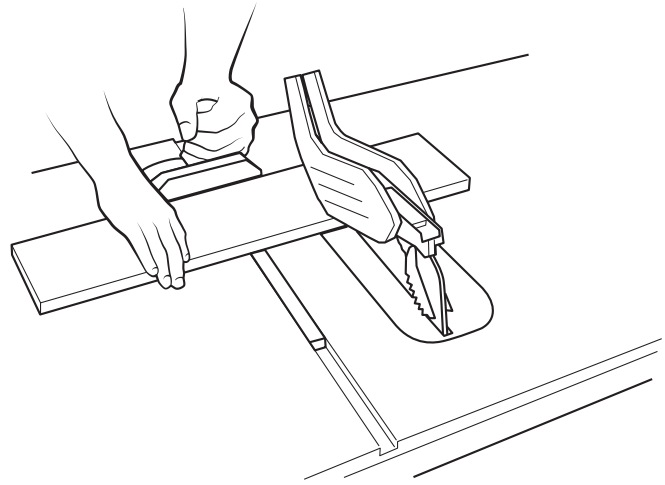


FIGURE 15

COUPE TRANSVERSALE EN BISEAU

La coupe transversale en biseau est identique à la coupe transversale simple, sauf que l'angle de biseau (A) est réglé sur un angle autre que 90° . Lors d'une coupe transversale en biseau, placez le guide à onglets dans la fente droite de sorte que la lame soit inclinée à l'écart du guide et des mains. Voir Figure 16.

COUPE D'ONGLETS

Les coupes d'onglet sont des coupes transversales avec le guide à onglets réglé sur un angle autre que 90° . Pour des instructions sur la configuration des angles du guide à onglets, voir Préparation pour couper. Pour ajuster les butées d'onglet d'indexage pré-réglées, voir Réglage des butées d'onglets à la page 27 de ce manuel.

⚠ AVERTISSEMENT

- Les angles d'onglet inférieurs à 45° peuvent forcer l'ensemble protège-lame dans la lame de la scie, pouvant endommager l'ensemble protège-lame et causer des blessures. Avant de démarrer le moteur, vérifiez le fonctionnement en faisant avancer la pièce dans l'ensemble protège-lame. Si l'ensemble

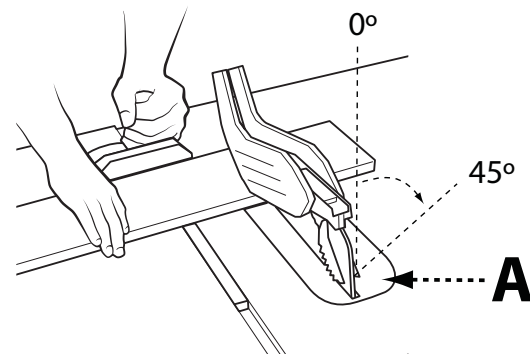


FIGURE 16

protège-lame entre en contact avec la lame, placez la pièce sous l'ensemble protège-lame, mais pas au contact de la lame - avant de démarrer le moteur.

- Certaines formes de pièces, telles que le moulage, peuvent ne pas soulever l'ensemble protège-lame correctement. Avec l'alimentation coupée, faites avancer lentement la pièce dans la zone du protège-lame jusqu'à ce que la pièce touche la lame. Si l'ensemble protège-lame entre en contact avec la lame, placez la pièce sous l'ensemble protège-lame, mais pas au contact de la lame, avant de démarrer le moteur.

EFFECTUER DES COUPES (suite)

COUPE D'ONGLETS COMPOSÉE

Il s'agit d'une combinaison entre coupe transversale en biseau et coupe d'onglets. Voir Figure 17 et suivre les instructions à la fois pour les coupes transversales en biseau et les coupes d'onglets. N'oubliez pas d'utiliser la fente à droite pour toutes les coupes en biseau.

COUPE DE GRANDS PANNEAUX

Placez les supports de pièce à la même hauteur que la table de sciage derrière la scie pour soutenir la pièce coupée et sur le(s) côté(s) de la scie, selon les besoins. Selon la forme du panneau, utilisez le guide longitudinal ou le guide à onglets pour contrôler la pièce. Si une pièce est trop grande pour utiliser un guide longitudinal ou un guide à onglets, elle est trop grande pour cette scie.

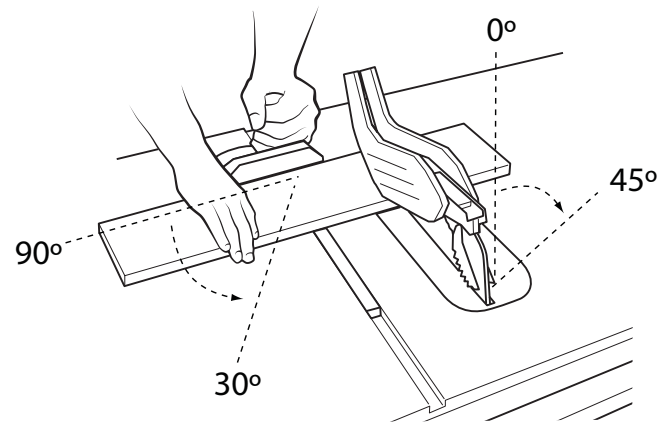


FIGURE 17

RAINURAGE ET AUTRES COUPES NON TRAVERSANTES

L'utilisation d'une coupe non traversante est essentielle pour couper des rainures, feuillures et entailles. Les coupes non traversantes peuvent être réalisées avec une lame standard ayant un diamètre de 10 pouces (254 mm) ou moins, ou avec une lame à fentes jusqu'à 13/16 pouces (20,63 mm) de largeur avec un diamètre de 8 pouces (203,2 mm) ou moins. Les coupes non traversantes sont le seul type de coupes à effectuer sans l'ensemble protège-lame installé. Assurez-vous que l'ensemble protège-lame est réinstallé à la fin de ce type de coupe.

⚠ AVERTISSEMENT

- Pour effectuer des coupes non traversantes, suivez tous les avertissements et les instructions indiqués ci-dessous en plus de ceux énumérés ci-dessus pour la coupe traversante concernée.
- Lorsque vous effectuez une coupe non traversante, la lame est couverte par la pièce pendant la majeure partie de la coupe. Faites attention à la lame exposée au début et à la fin de chaque coupe.
- Ne faites jamais avancer le bois avec les mains lorsque vous effectuez des coupes non

traversantes, comme des feuillures ou des rainures. Utilisez toujours le guide à onglets, des blocs poussoirs ou des poussoirs et des planches à languettes le cas échéant.

- Lisez la section appropriée qui décrit le type de coupe, en plus de cette section sur les coupes non traversantes ou de rainurage. Par exemple, si votre coupe non traversante est une coupe transversale droite, vous devez lire et comprendre la section relative aux coupes transversales droites avant de poursuivre.
- Une fois que toutes les coupes de rainurage et non traversantes sont terminées, débranchez la scie et réinstallez le couteau diviseur ou remettez-le en position surélevée. Installez les doigts anti-retour et le protège-lame.
- Suivez attentivement les instructions accompagnant les lames spécialisées telles que des lames de rainurage et des coupeurs de moulage pour l'installation, la mise en place et le fonctionnement adéquats.

EFFECTUER UNE COUPE NON TRAVERSANTE

1. Débranchez la scie.
 2. Déverrouillez le levier de desserrage.
 3. Ajustez l'angle de biseau à 0°.
 4. Verrouillez le levier de desserrage.
 5. Retirez le protège-lame et les doigts anti-retour.
 6. Placez le couteau diviseur en position « abaissée ». (Voir la section PARAMÈTRES DE HAUTEUR DU COUPEAU DIVISEUR à la page 29)
 7. Réglez la lame sur la profondeur correcte pour la pièce. Voir les instructions ci-dessous pour l'utilisation de lames de rainurage et d'autres lames spécialisées.
 8. Selon la forme et la taille du bois, utilisez le guide longitudinal ou le guide à onglets.
 9. Branchez la scie dans la source d'alimentation et allumez la scie.
 10. Laissez la lame atteindre sa pleine vitesse avant de déplacer la pièce vers la lame.
 11. Utilisez toujours des blocs poussoirs, des poussoirs et/ou des planches à languettes lors de coupes non traversantes pour réduire le risque de blessures graves.
 12. Quand la coupe est terminée, éteignez la scie. Attendez que la lame s'arrête complètement avant de retirer la pièce.
- Si une coupure de rainurage profonde est nécessaire, utilisez plusieurs passages successifs plutôt qu'essayer d'effectuer la coupe en un seul passage.

EFFECTUER DES COUPES (suite)

EFFECTUER UNE COUPE DE RAINURAGE

Les lames de rainurage sont des lames empilées qui peuvent être utilisées dans les coupes non traversantes, y compris des fentes de coupe traversante. Les lames de rainurage nécessitent une plaque à gorge spéciale. Les lames de rainurage et les plaques à gorge sont toutes vendues séparément.

⚠ AVERTISSEMENT

- Suivez attentivement les instructions accompagnant la lame de rainurage pour une installation, une mise en place et un fonctionnement adéquats. Des guides supplémentaires sont disponibles sur des sites Web et publications dédiés au travail du bois et à la menuiserie.
- N'essayez pas d'empiler des lames de rainurage dont l'épaisseur est supérieure à 13/16 pouces (20,64 mm) N'utilisez pas de lames de rainurage de plus de 8 pouces (200 mm) de diamètre.
- Le couteau diviseur et les ensembles protège-lame ne peuvent pas être utilisés lors du rainurage. Ils doivent être enlevés comme décrit dans la section Utilisation du couteau diviseur et du protège-lame. Soyez **EXTRÊMEMENT** prudent lorsque vous utilisez la lame de rainurage sans l'ensemble protège-lame et le couteau diviseur.
- Utilisez des poussoirs, des serre-tôles, des gabarits, des montages ou des planches à languettes pour aider à guider et contrôler la pièce lorsque le protège-lame ne peut pas être utilisé.
- Veillez à réinstaller le couteau diviseur, les doigts anti-retour, le protège-lame et la plaque à gorge standard et vérifiez les réglages lorsque les coupes de rainurage sont terminées.

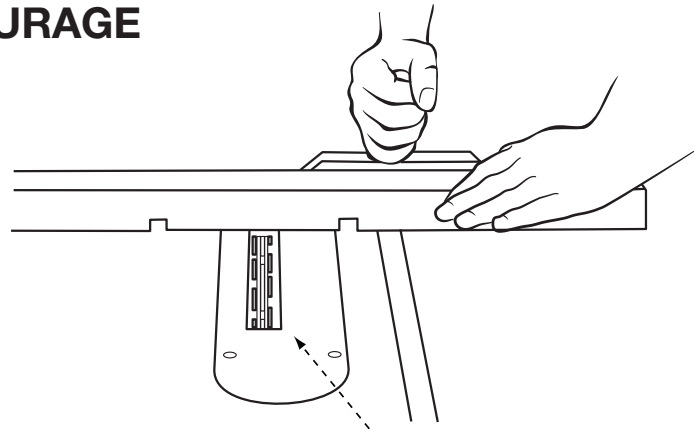


FIGURE 18

- La plaque à gorge accessoire à tête de rainurage, illustrée à la Figure 18, doit être utilisée à la place de la plaque à gorge standard. Assurez-vous que la plaque à gorge est au niveau de la table avant de poursuivre.
- Vérifiez toujours le dégagement des lames de rainurage par rapport aux autres composants avant de brancher la scie.
- Ne jamais tenter d'utiliser la tête de rainurage dans une position de biseau.

NOTE : La bride d'arbre externe standard ne peut pas être utilisée avec certaines combinaisons de lames de rainurage. Dans ce cas, serrez l'écrou à arbre directement sur l'ensemble de lames de rainurage. Gardez la bride à arbre externe pour une utilisation avec d'autres combinaisons de lames et de rainurages.

ACCESSOIRES DE COUPE ET AUTRES ACCESSOIRES

BÂTON POUSSOIR

Pour faire fonctionner votre scie de table en toute sécurité, vous devez utiliser un bâton poussoir si, en raison de la taille ou la forme de la pièce, vos mains se trouveraient à moins de 6 pouces (152 mm) de la lame de la scie ou de tout autre outil de coupe. Un bâton poussoir est inclus avec cette scie.

Il n'est pas nécessaire d'utiliser un bois spécial pour fabriquer des bâtons poussoirs supplémentaires tant qu'il est suffisamment robuste et long, ne comporte pas de nœuds, gerces ou fissures. Une longueur d'environ 16 pouces (400 mm) est recommandée avec une encoche qui s'adapte contre le bord de la pièce pour éviter les glissements. Il est pratique d'avoir sous la main plusieurs bâtons poussoirs de 16 pouces (400 mm) de long avec des encoches de différentes tailles pour s'adapter à différentes épaisseurs de pièce.

La forme peut varier en fonction de vos propres besoins tant qu'elle exerce sa fonction prévue de garder vos mains à distance de la lame. Incliner l'encoche de sorte que le bâton poussoir puisse être maintenu à un angle de 20 à 30 degrés de la table de sciage vous aidera à maintenir la pièce tout en déplaçant la scie.

Pour fabriquer un bâton poussoir, reportez-vous au schéma indiqué dans la Figure 19.

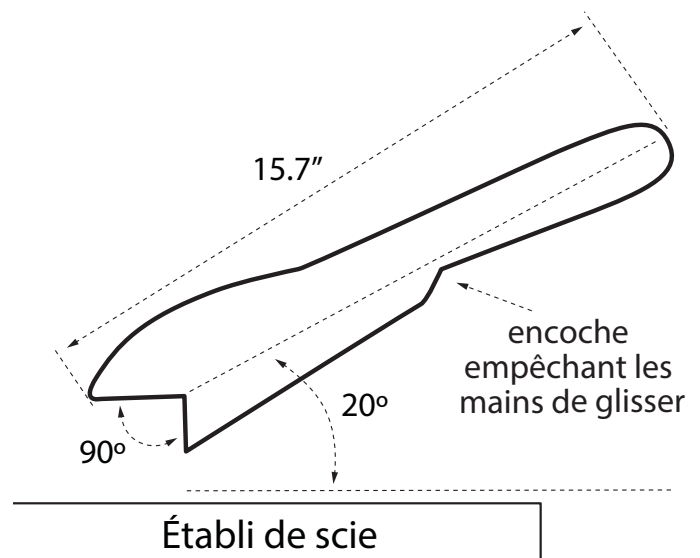


FIGURE 19

REVÊTEMENT AUXILIAIRE DU GUIDE D'ONGLETS

Un revêtement auxiliaire du guide d'onglets est utilisé pour augmenter la surface du revêtement du guide d'onglets.

Si vous le souhaitez, vous pouvez doter le guide d'onglets d'un revêtement auxiliaire en bois qui devrait être d'au moins 1 pouce (25 mm) plus élevé que la profondeur de coupe maximale et au moins aussi large que le guide d'onglets.

Ce revêtement auxiliaire en bois peut être fixé à l'avant du guide d'onglets à l'aide de (2) vis à tête plate M6 (1/4-20) et écrous, en plaçant les écrous dans les fentes prévues à l'avant du corps du guide d'onglets

Voir Figure 20.

Assurez-vous que les vis sont assez longues pour fixer le revêtement mais sans traverser le bois.

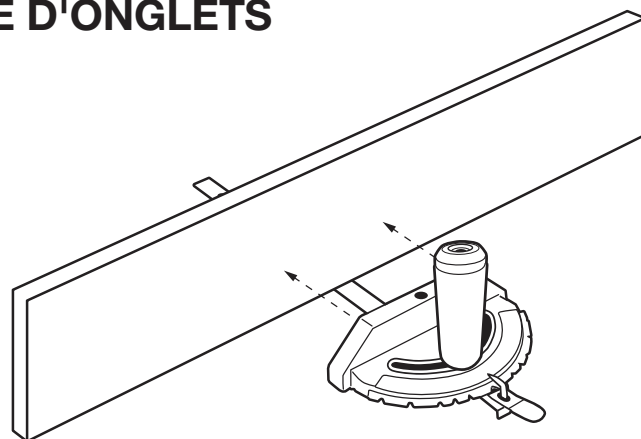


FIGURE 20

BLOC POUSSOIR

1. Choisissez un morceau de bois d'environ 4 pouces (101,6 mm) de largeur, 6 pouces (152,39 mm) de longueur et 1 à 2 pouces (25,4 à 50,8 mm) d'épaisseur (une chute d'une planche de 2 par 4 est idéale pour se fabriquer un bloc poussoir).
2. Percez un trou dans le bloc et collez-y une cheville qui servira de poignée (vous pouvez incliner le trou afin d'obtenir une prise en main plus confortable de la poignée).
3. Collez un morceau de matériau mou ou rugueux tel que du papier de verre ou du caoutchouc à la partie inférieure du bloc pour prendre en main la pièce (les vieux tapis de souris fonctionnent bien).

Voir Figure 21.

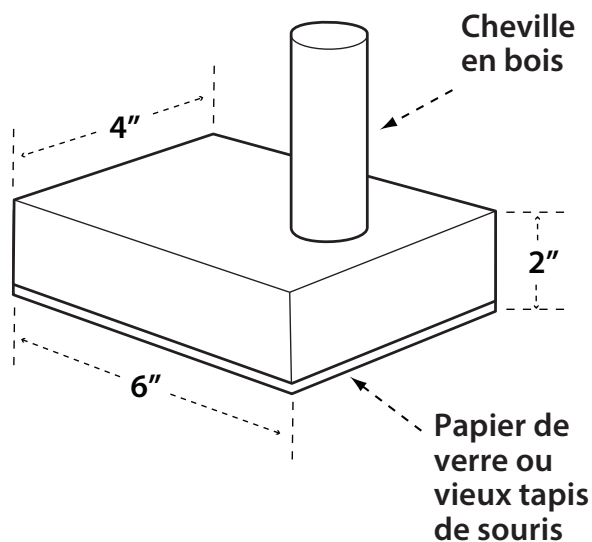


FIGURE 21

PLANCHE À LANGUETTES

Les planches à languettes sont utilisées pour maintenir la pièce en contact avec le guide et la table (Figure 35) et aider à éviter les rebonds. Les planches à languettes sont particulièrement utiles lors de la coupe longitudinale de petites pièces et pour finaliser des coupes non traversantes. L'extrémité est inclinée avec une série de fentes étroites pour donner une prise de frottement sur la pièce. Elle est verrouillée en place sur la table ou le guide avec un serre-joint.

⚠ AVERTISSEMENT Pour éviter un coincement entre la pièce et la lame, assurez-vous qu'une planche à languettes horizontale appuie uniquement sur la partie non coupée de la pièce en face de la lame.

Les dimensions pour construire une planche à languettes typique sont présentées dans la Figure 22. Construisez votre planche à languettes à partir d'un morceau de bois droit qui est exempt de nœuds et de fissures. Serrez les planches à languettes au guide et/ou à la table de sorte que la planche à languettes tiende la pièce contre le guide ou la table.

1. Choisissez un morceau de bois d'environ $\frac{3}{4}$ pouce (19 mm) d'épaisseur, 2 $\frac{1}{2}$ pouces (63 mm) de large et 12 pouces (304 mm) de long.
2. Marquez la largeur du centre sur une extrémité du morceau. Largeur d'onglet à 70° (voir la section Coupe d'onglet pour des informations sur les coupes d'onglet).
3. Réglez le guide longitudinal pour permettre la découpe d'un « doigt » d'environ $\frac{1}{4}$ pouce (6,35 mm) dans le morceau.
4. Faites avancer le morceau seulement jusqu'au marquage indiqué précédemment à 6 pouces (152,39 mm).
5. Éteignez la scie et laissez la lame s'arrêter complètement avant de retirer le morceau.
6. Ajustez le guide et effectuez des coupes longitudinales dans la pièce pour obtenir des entailles d'environ $\frac{1}{4}$ pouce (6,35 mm), séparées de $\frac{1}{8}$ pouce (3,17 mm).

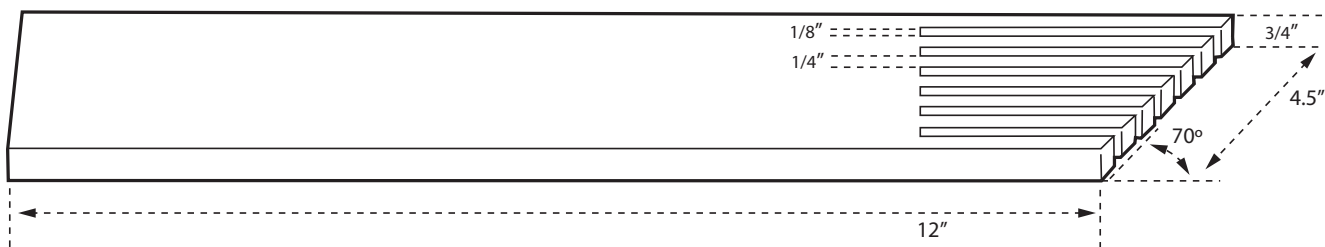


FIGURE 22

JAUGE DE COUPURE

Lorsque vous coupez transversalement un certain nombre de pièces à la même longueur, vous pouvez serrer un bloc de bois (A) (voir Figure 23) au guide et l'utiliser comme une jauge de coupure. Le bloc (A) doit faire au moins $\frac{3}{4}$ pouce (19 mm) d'épaisseur pour empêcher le coincement de la pièce coupée entre la lame et le guide. Une fois que la longueur de coupe est déterminée, verrouillez le guide et utilisez le guide à onglets pour faire avancer la pièce dans la lame.

⚠ AVERTISSEMENT Positionnez toujours la jauge de coupure en face de la lame de scie.

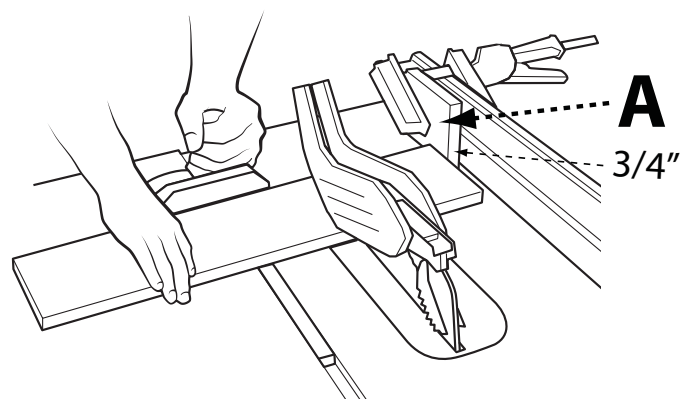


FIGURE 23

GABARITS

Il est possible de créer des gabarits avec diverses configurations spéciales pour contrôler des formes particulières de pièces pour des coupes particulières. Des conseils sur la façon de fabriquer des gabarits spécialisés sont disponibles dans les sites Web et les publications dédiés au travail du bois et à la menuiserie.

⚠ AVERTISSEMENT N'essayez pas de créer ou d'utiliser un gabarit si vous n'êtes pas parfaitement familier avec la sécurité de la scie de table. N'utilisez pas de gabarits qui pourraient causer un pincement du trait de scie ou un coincement de la pièce entre le gabarit et la lame. Les installations incorrectes peuvent causer un rebond qui pourrait entraîner des blessures graves.

EFFECTUER DES RÉGLAGES

METTRE À NIVEAU LA PLAQUE À GORGE

Vous devez mettre à niveau l'avant, l'arrière et les côtés de la plaque à gorge avec la surface de l'établi.

Quatre vis (A) sont pré assemblées sur l'établi pour permettre de mettre la plaque à gorge à niveau.

Si la plaque à gorge n'est pas à niveau avec la surface de l'établi, réglez ces vis pour vous assurer que toute la plaque à gorge est à niveau avec la surface de l'établi. Vous pouvez accéder aux vis et les régler sans retirer la plaque à gorge. N'essayez pas de monter la plaque à gorge vers le bas en utilisant ses vis de mise à niveau.

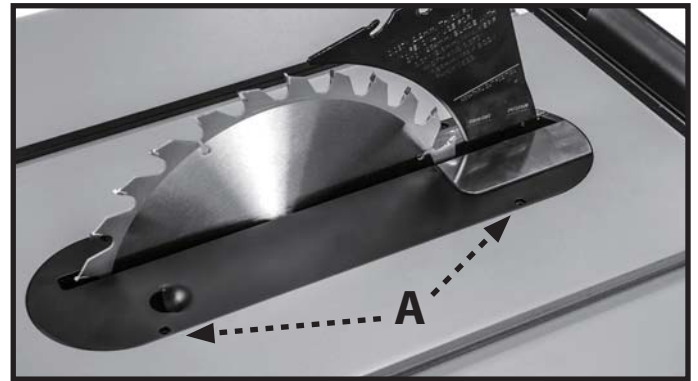


FIGURE 24

PLACER LA LAME À ANGLE DROIT PAR RAPPORT À L'ÉTABLI

Placez une équerre de charpente (B) sur la surface de l'établi à la fois contre la lame et le couteau diviseur. L'équerre de charpente doit être entièrement en contact avec la lame et le couteau diviseur.

Si l'angle n'est pas droit, réglez la butée 0 degré tel qu'illustré dans " Réglage des butées du biseau" ci-dessous.

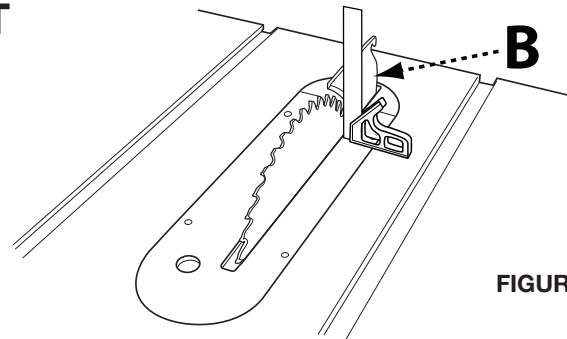


FIGURE 25

RÉGLER LES BUTÉES DU BISEAU

Si la lame n'est pas à angle droit verticalement avec l'établi, vous devez régler la butée positive de 0 degré (A) situé du côté intérieur de la trajectoire du biseau à l'extrémité gauche de l'ouverture de la trajectoire du biseau tel illustré en Figure 26.

Desserrez la poignée de verrouillage du réglage du guide à onglets/de la hauteur, et positionnez la molette de réglage complètement à gauche pour pouvoir accéder facilement à la butée positive de 0 degré. Verrouillez ensuite la poignée de réglage.

Faites tourner la vis de la butée positive de 0 degré.

Déverrouillez la molette de réglage, remplacez la lame sur la position 0 degré, en s'assurant qu'elle est en contact avec la butée positive, puis verrouillez à nouveau la molette de réglage en place.

Vérifiez à nouveau la position de la lame par rapport à l'établi à l'aide d'une équerre de charpente. (Voir 'Placer la lame à angle droit par rapport à l'établi' sur cette page.)

Répétez les deux étapes précédentes jusqu'à ce que la lame soit parfaitement à angle droit verticalement avec l'établi.

Vous pouvez utiliser cette même procédure pour vérifier la butée positive de 45 degrés (B), situé du côté intérieur de la trajectoire du biseau à l'extrémité droite de l'ouverture de la trajectoire du biseau tel illustré en Figure 27.



FIGURE 26



FIGURE 27

EFFECTUER DES RÉGLAGES (suite)

RÉGLER LA HAUTEUR DE LA LAME

Pour toutes les coupes traversantes, le sommet des pointes de la scie doit être situé au dessus de la pièce à couper et le bas du creux des dents en dessous de la surface supérieure de la pièce à couper.

Pour les coupes non traversantes, le sommet des pointes de la scie doit être défini dans l'épaisseur de la coupe.

Pour régler la hauteur de la lame, référez-vous à la Figure 28 et faites comme suit :

Assurez-vous que la poignée de verrouillage du biseau/de la hauteur (A) est en position verrouillée (bas).

Réglez la hauteur de la lame en tournant la molette de réglage du biseau/de la hauteur (B), dans le sens horaire pour élever la lame et dans le sens anti horaire pour l'abaisser.

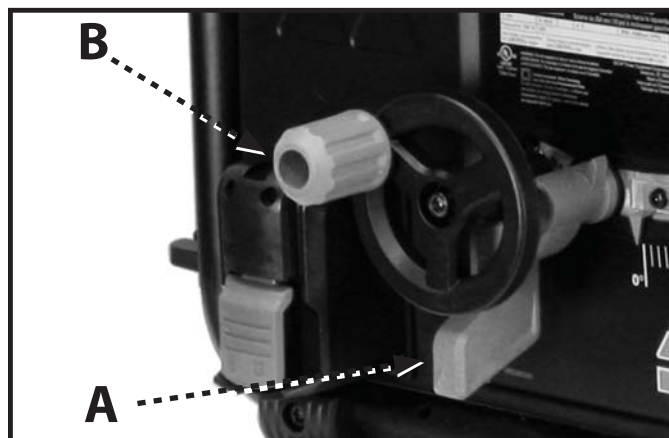


FIGURE 28

CHANGER LE BISEAU

Déverrouillez la poignée de réglage du biseau/de la hauteur (A) en la tirant vers la position haute.

En tenant le bouton/molette, faites glisser l'indicateur d'onglet sur l'angle désiré.

Lorsque la lame est sur l'angle désiré, verrouillez la poignée de réglage du biseau/de la hauteur en la poussant vers le bas.

UTILISER LE GUIDE À ONGLETS

Il y a deux rainures de guide à onglets (A), une de chaque côté de la lame. Lors d'une coupe transversale à 90°, utilisez-en une au choix. Lors d'une coupe transversale en biseau, utilisez la rainure de droite de manière à ce que la lame soit inclinée dans la direction opposée au guide et aux mains.

Desserrez le bouton de verrouillage du guide à onglets (B). Faire tourner la guide jusqu'à atteindre l'angle désiré sur l'échelle. Resserrez le bouton de verrouillage.

Voir la Figure 29.

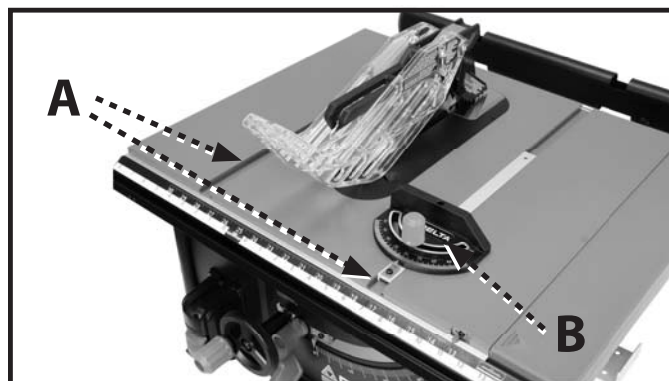


FIGURE 29

UTILISER LE SUPPORT ARRIÈRE POUR PIÈCES LONGUES

Le support arrière pour pièces longues peut être sorti pour fournir un support complémentaire pour couper des pièces longues.

Assurez-vous que la scie est sur ARRÊT (OFF). A l'arrière de la scie, placez vos mains sur ledit support (A) et tirez-le complètement à l'extérieur.

Voir la Figure 30.



FIGURE 30

ABAISSER LE COUTEAU DIVISEUR

Retirer la plaque à gorge.

Élever la lame en faisant tourner la molette de réglage de la hauteur dans le sens horaire.

Référez-vous à la Figure 31.

Desserrer le bouton de verrouillage du couteau diviseur (A) et appuyer sur le bouton de verrouillage actionné par un ressort pour libérer le couteau diviseur.

Pousser le couteau diviseur (B) vers le bas jusqu'à ce qu'il soit en dessous de la lame. Le couteau diviseur a une ligne de coupe transversale clairement marquée.

Serrer le bouton de verrouillage du couteau diviseur.

Replacer la plaque à gorge.

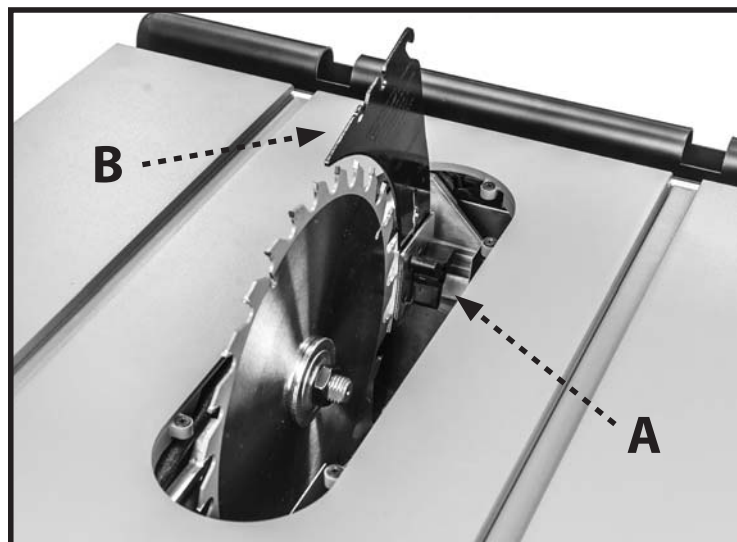


FIGURE 31

UTILISER LA RALLONGE D'ÉTABLI DROITE

La rallonge d'établi (A), située sur le côté droit de l'établi, vous permet d'augmenter la largeur de l'établi de la scie pour accueillir des pièces à découper de grande taille.

Pour utiliser la rallonge, référez-vous à la Figure 32 et faites comme suit :

Déverrouillez le levier de blocage (B) de la rallonge d'établi en le déplaçant vers la droite. Faites sortir la rallonge d'établi (A) sur la droite. Utilisez le pointeur bleu situé sur l'échelle supérieure pour déterminer la distance désirée. Lorsque la rallonge latérale d'établi est placée à la largeur désirée, verrouillez à nouveau le levier.

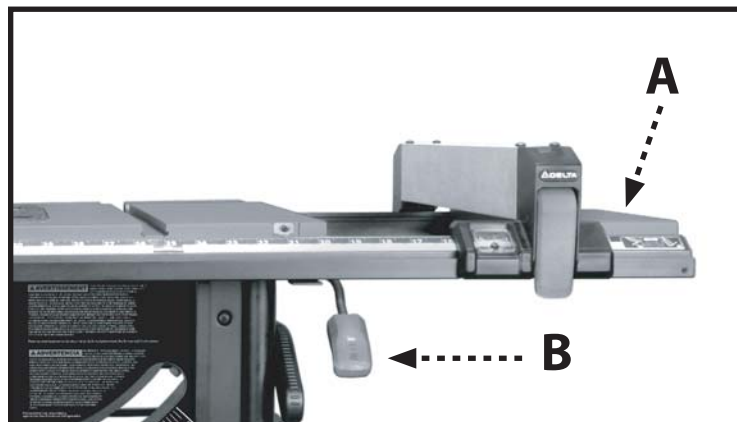


FIGURE 32

ALIGNMENT DU COUTEAU DIVISEUR

Point de localisation pour LA POSITION DE COUPE NON-TRANSV (Le couteau diviseur est placé sur cette position pour les coupes "NON-TRANSV" et également lorsqu'il est emballé avant l'expédition.)

Point de localisation pour LA POSITION DE COUPE TRANSV tel illustré dans Figure 33 (Le client doit régler le couteau diviseur sur cette position lors de coupes "TRANSV".)
(REM. : Placer le couteau diviseur sur cette position avant tout réglage d'alignement du couteau sur la lame.)

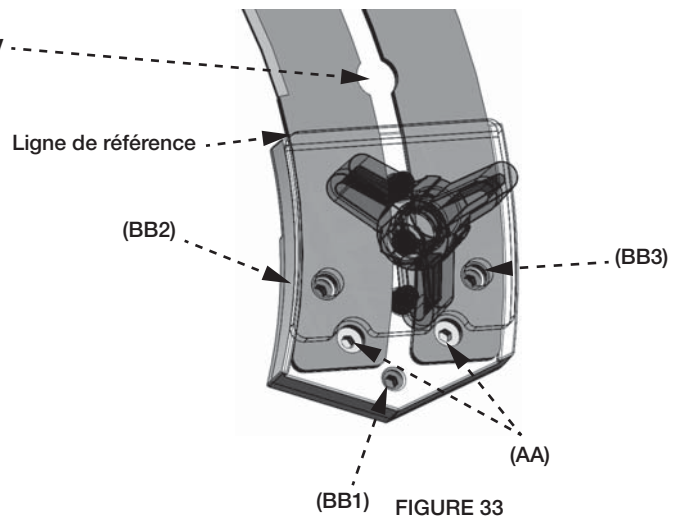


FIGURE 33

Utiliser Figure 33 et Figure 34 pour effectuer les réglages suivants si un réglage parallèle est requis :

1. Desserrer les 2 vis à tête creuse hex. (AA).
2. Serrer ou desserrer la vis de réglage (BB1) pour régler la ligne de référence du couteau diviseur à aligner sur la lame.
3. Régler les vis de réglage (BB2) et (BB3), pour aider au réglage parallèle de l'alignement du couteau diviseur sur la lame.
4. Serrer à nouveau les vis à tête creuse hex. (AA).

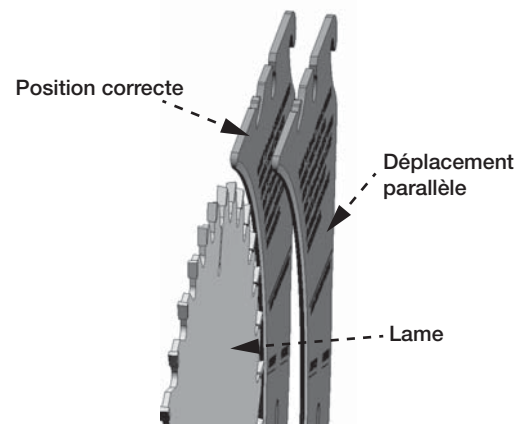


FIGURE 34

En cas de désalignement vertical du couteau diviseur, régler comme suit à l'aide de Figure 33 et de Figure 35:

1. Desserrer les 2 vis à tête creuse hex. (AA).
2. Régler (BB2) et (BB3) pour aligner le couteau diviseur sur la lame. (BB1) ne nécessite pas de réglage.
3. Serrer les vis (AA). Serrer les vis (AA).

En cas de désalignement horizontal du couteau diviseur, régler comme suit à l'aide de Figure 33 et de Figure 36:

1. Desserrer les 2 vis à tête creuse hex. (AA).
2. Régler la vis (BB2) pour aligner le couteau diviseur sur la lame. En cas de désalignement persistant, régler (BB3) jusqu'à obtenir l'alignement correct. Ne pas régler (BB1).
3. Serrer les vis (AA).

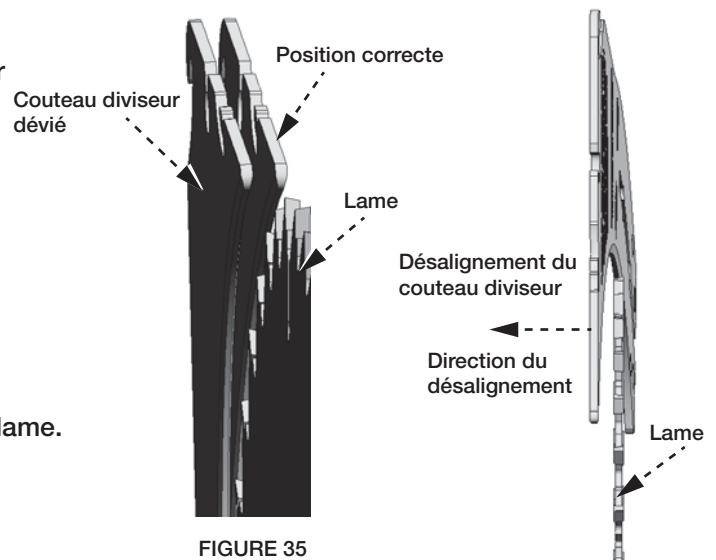


FIGURE 35

FIGURE 36

ENTRETIEN

Pour réduire le risque de blessures, éteignez la machine et débranchez-la de la source d'alimentation avant de la nettoyer ou la réparer, installer et retirer des accessoires, ou effectuer des réglages et réparations. Un démarrage inopportun peut provoquer des blessures.

GARDER LA MACHINE PROPRE

Souffler périodiquement de l'air comprimé sec à l'intérieur de tous les conduits d'air. Toutes les pièces en plastique doivent être nettoyées avec un chiffon doux humide. N'utilisez JAMAIS de solvant pour nettoyer les pièces en plastique. Il pourrait dissoudre ou endommager le matériel.

Portez des équipements de sécurité certifiés pour la protection oculaire, auditive et respiratoire lors de l'utilisation d'air comprimé.

GRAISSAGE ET PROTECTION CONTRE LA CORROSION

Appliquez de la cire en pâte pour planchers de bois brut sur la table de la machine de temps en temps ou utilisez un produit de protection disponible dans le commerce et prévu à cet effet. Suivez les instructions du fabricant pour l'utilisation et la sécurité.

RAPPELS D'ENTRETIEN

Portez des équipements de sécurité certifiés pour la protection oculaire, auditive et respiratoire lors de l'utilisation d'air comprimé.

Les points spécifiques qui nécessitent un entretien régulier sont :

PLAQUE DE FIXATION DU COUTEAU DIVISEUR : Gardez cette zone exempte d'accumulations de poussière et de débris. Soufflez régulièrement la zone à l'air comprimé.

REMARQUE : Si la pince du couteau diviseur ne peut pas se déplacer librement, faites entretenir la scie par le personnel d'un centre de service autorisé par DELTA® Power Equipment Corporation.

ENGRENAGES DE BISEAU : Gardez les engrenages exempts d'accumulations de poussière et de débris. Soufflez régulièrement la zone à l'air comprimé. Utilisez une graisse multi-usages à base de lithium sur ces engrenages si nécessaire.

ENGRENAGES À VIS SANS FIN : Gardez les engrenages à vis sans fin exempts d'accumulations de poussière et de débris. Soufflez régulièrement la zone à l'air comprimé. Utilisez une graisse multi-usages à base de lithium sur ces engrenages si nécessaire.

ÉLIMINEZ PÉRIODIQUEMENT L'ACCUMULATION DE SCIURE DANS LE CAISSON : NOTE : Il est également possible d'éliminer les débris de la scie par le dessous de la plaque à gorge, à l'intérieur du capteur de poussière.

DÉPANNAGE

Pour de l'aide avec votre machine, visitez notre site Web à www.DeltaMachinery.com pour une liste des centres de service ou appelez le Service à la clientèle DELTA® Power Equipment au 1-800-223-7278.

ÉCHEC DU DÉMARRAGE

Si votre machine ne démarre pas, assurez-vous que les broches de la fiche du cordon sont bien en contact dans la prise. Vérifiez également s'il y a des fusibles grillés ou des disjoncteurs ouverts dans votre ligne électrique.

ACCESSOIRES

Une gamme complète des accessoires est disponible auprès de votre fournisseur DELTA®, des centres de service du fabricant DELTA® et des centres de service autorisés DELTA®." Rendez-vous sur notre site Web www.DeltaMachinery.com pour obtenir un catalogue en ligne ou pour connaître le nom du fournisseur le plus près de chez vous.

⚠ AVERTISSEMENT Étant donné que les accessoires autres que ceux proposés par DELTA® n'ont pas été testés avec ce produit, leur utilisation pourrait s'avérer dangereuse. Pour une utilisation plus sûre, seuls les accessoires recommandés par DELTA® devraient être utilisés avec ce produit.

GARANTIE

Pour enregistrer votre outil pour le service sous garantie, veuillez visiter notre site Web
HYPERLINK "<http://www.DeltaMachinery.com/>"www.DeltaMachinery.com.

Garantie limitée de cinq ans pour les produits neufs

DELTA réparera ou remplacera, à ses frais et à sa discrétion, toute nouvelle machine DELTA, pièce de machine ou accessoire de machine qui, en usage normal, présente un vice de fabrication ou de matériel, à condition que le client retourne le produit par port prépayé à un centre de service du fabricant DELTA ou un centre de service autorisé avec la preuve d'achat du produit dans les cinq ans et donne DELTA la possibilité raisonnable de vérifier le défaut allégué en réalisant une inspection.

Pour tous les produits DELTA remis à neuf, la période de garantie est de 180 jours.

DELTA ne sera pas tenue responsable de tout défaut confirmé qui découlerait de l'usure normale, d'une mauvaise utilisation, d'abus ou de réparations ou d'altérations faites ou expressément autorisées par une personne autre qu'un centre de service ou représentant DELTA autorisé.

En aucun cas, DELTA ne sera tenue responsable des dommages accessoires ou indirects résultant de produits défectueux. Certains états n'autorisent pas l'exclusion ou la limitation des dommages accessoires ou indirects, donc la limitation ou l'exclusion susmentionnées peuvent ne pas s'appliquer à vous.

Cette garantie est l'unique garantie de DELTA et définit par la présente le recours exclusif du client en ce qui concerne les produits défectueux toutes les autres garanties, expresses ou implicites, de qualité marchande, de conformité aux besoins ou autre, sont formellement rejetées par DELTA.

Pour plus de détails sur la couverture de la garantie et les réparations visées par la garantie, composez le 1-800-223-7278. La présente garantie vous donne des droits légaux précis et vous pouvez avoir d'autres droits qui varient selon les États et les provinces.

AMÉRIQUE LATINE : La présente garantie ne s'applique pas aux produits vendus en Amérique latine. Pour les produits vendus en Amérique latine, consultez les informations de garantie relatives au pays en question contenues dans l'emballage, appelez la société locale ou consultez la section garantie sur le site Web.



ASSISTANCE PIÈCES, ENTRETIEN ET GARANTIE

Toutes les machines et tous les accessoires DELTA® sont fabriqués selon des normes de qualité élevée et sont entretenus par un réseau de centres de service autorisés DELTA®. Pour en savoir davantage sur votre produit de qualité DELTA® ou pour obtenir des pièces, de l'entretien, de l'aide avec la garantie ou connaître l'emplacement du centre de service le plus proche de chez vous, veuillez composer le 1-800-223-7278.

PIÈCES DE RECHANGE

Utilisez uniquement des pièces de rechange identiques. Pour obtenir une liste de pièces ou commander des pièces, rendez-vous sur notre site à l'adresse www.DeltaMachinery.com/service. Vous pouvez également commander des pièces auprès de votre centre de service de garantie autorisé ou en appelant le directeur du service technique au 1-800-223-7278 pour recevoir un soutien personnalisé de l'un de nos représentants hautement qualifiés.

REPLACEMENT GRATUIT DES ÉTIQUETTES DE MISE EN GARDE

Si vos étiquettes de mise en garde sont devenues illisibles ou sont manquantes, composez le 1-800-223-7278 pour un remplacement gratuit.

NOTES

INSTRUCCIONES IMPORTANTES DE SEGURIDAD

⚠ ADVERTENCIA LEA ATENTAMENTE Y SIGA TODOS LOS AVISOS E INSTRUCCIONES EN SU PRODUCTO Y EN ESTE MANUAL. CONSERVE ESTE MANUAL. ASEGÚRESE QUE TODOS LOS USUARIOS ESTÁN FAMILIARIZADOS CON SUS AVISOS E INSTRUCCIONES CUANDO TENGAN QUE USAR LA HERRAMIENTA. El mal uso, mantenimiento o modificación de las herramientas y equipos podría provocar heridas y/o daños a la propiedad.

Si tiene cualquier pregunta o cuestión relativa al uso de su herramienta o de este manual, no utilice la herramienta y contacte con Atención al Cliente de DELTA® Power Equipment Corporation al 1-800-223-7278.

LOGOTIPOS DE SEGURIDAD

Las definiciones que hay a continuación describen el nivel de seguridad para cada palabra. Por favor, lea el manual y preste atención a estos símbolos.

- ⚠ PELIGRO** Indica a una situación de riesgo inminente que, de no ser evitada, puede causar la muerte o heridas graves.
- ⚠ ADVERTENCIA** Indica una situación potencialmente peligrosa que, de no evitarse, podría causar la muerte o heridas graves.
- ⚠ ATENCION** Indica una situación potencialmente peligrosa que, de no evitarse, podría causar heridas moderadas o leves.

NORMAS GENERALES DE SEGURIDAD PARA HERRAMIENTAS

- ⚠ ADVERTENCIA** No seguir estas normas podría causarle heridas graves.
- 1. LEA EL MANUAL DE INSTRUCCIONES Y CONOZCA SU HERRAMIENTA.** Lea y familiarícese con todo el manual de instrucciones. Aprender las aplicaciones, limitaciones, y riesgos potenciales específicos reducirán sobremanera la posibilidad de accidentes y heridas. Asegúrese que todos los usuarios están familiarizados con los avisos e instrucciones antes del uso de la herramienta.
 - 2. PARA REDUCIR EL RIESGO DE CONTACTO ELÉCTRICO,** este equipo tiene un enchufe polarizado (una de las clavijas es más ancha que la otra). Este enchufe encajará en la toma de corriente en un sólo sentido. Si no encaja totalmente en la toma, dé la vuelta al enchufe. Si no encaja de ninguna de las dos maneras, contacte con un electricista cualificado para que instale la toma de corriente adecuada. No modifique el enchufe en ningún caso.
 - 3. MANTENGA LAS PROTECCIONES Y DISPOSITIVOS DE SEGURIDAD EN SU SITIO** y en buen estado de funcionamiento.
 - 4. RETIRE LAS LLAVES DE AJUSTE.** Hábitese a comprobar que todas las llaves de ajuste han sido retiradas antes de activar la herramienta.
 - 5. MANTENGA EL ÁREA DE TRABAJO LIMPIA Y BIEN ILUMINADA.** Las zonas de trabajo saturadas o mal iluminadas pueden causar accidentes.
 - 6. NO UTILICE O ALMACENE LA HERRAMIENTA EN ZONAS PELIGROSAS.** La exposición a la lluvia y las zonas húmedas o mojadas pueden causar descargas eléctricas, electrocución, o dañar la herramienta. No use herramientas eléctricas cerca de líquidos inflamables o en atmósferas explosivas o nocivas. Los motores o commutadores en dichas herramientas pueden producir chispas que actúen como focos de ignición.
 - 7. MANTENGA A NIÑOS Y TERCEROS LEJOS** del área de trabajo.
 - 8. MANTENGA LAS HERRAMIENTAS T ÁREA DE TRABAJO BAJO LLAVE.** Utilice candados y commutadores generales, elimine y guarde las llaves de inicio para evitar su uso por parte de niños y otros usuarios no autorizados.
 - 9. NO FUERCE LA HERRAMIENTA O PIEZA DE TRABAJO.** Utilice la herramienta a la velocidad de giro y corte correctas para un uso más seguro y mejor.
 - 10. UTILICE LA HERRAMIENTA CORRECTA.** No fuerce la herramienta a realizar un trabajo para la que no fue diseñada.
 - 11. NO MALTRATE LOS CABLES DE ALIMENTACIÓN.** NUNCA tire del cable para desconectarlo del enchufe, aplaste el cable o lo exponga al calor, aceite u objetos cortantes.
 - 12. UTILICE EL CABLE DE ALARGO ADECUADO.** Si utiliza un alargó, asegúrese que está en buenas condiciones y que es suficientemente grueso como para soportar la corriente que su herramienta requiere. Un cable demasiado fino causará una caída de tensión que producirá pérdida de potencia y sobrecalentamiento. Compruebe la Tabla de Alargos para ver el tamaño correcto dependiendo de la longitud y amperaje del cable. Si tiene dudas, utilice el cable de calibre inferior. A menor número de calibre, mayor diámetro. Cuando trabaje en el exterior, asegúrese que el alargó es adecuado para su uso en exteriores. Consulte el apartado de conexión eléctrica de este manual para la Tabla de Alargos y las normas de seguridad de conexión eléctrica.
 - 13. ASEGURE LA PIEZA DE TRABAJO.** Utilice mordazas o un sargento para fijar la pieza de trabajo siempre que sea posible. Es más seguro que usar sus manos y las deja libres para operar la herramienta.
 - 14. NO FUERCE LA POSTURA.** Mantenga el equilibrio y los pies bien plantados en el suelo para mantener el control.

continúa en la página 58

NORMAS GENERALES DE SEGURIDAD PARA HERRAMIENTAS

15. **MANTENGA LAS HERRAMIENTAS CUIDADOSAMENTE.** Manténgalas afiladas y limpias para un rendimiento mejor y más eficiente. Siga las instrucciones de lubricado y cambio de accesorios.
16. **DESCONECTE LA HERRAMIENTA** de la red eléctrica antes de revisarla, ajustarla, cambiar la configuración de los discos de corte, taladros, cuchillas y otros accesorios.
17. **PARA REDUCIR EL RIESGO DE ENCENDIDO ACCIDENTAL,** asegúrese que los conmutadores están en la posición de apagado antes de enchufar la herramienta.
18. No toque la parte metálica de la clavija cuando enchufe y desenchufe el cable.
19. **UTILICE SÓLO ACCESORIOS RECOMENDADOS.** Consulte el manual para ver dichos accesorios. El uso de accesorios inapropiados puede causar heridas o daños a la propiedad.
20. **NUNCA SE PONGA DE PIE SOBRE LA HERRAMIENTA.** Podría recibir heridas graves si la herramienta se tambalea o si entra en contacto accidental con la superficie de corte.
21. **COMPRUEBE EL ESTADO DE LA HERRAMIENTA.** Antes del uso, y después de que un accesorio o la misma hayan caído al suelo o hayan sido dañadas, compruebe que las protecciones y partes afectadas, piezas móviles y su ensamblaje, rotura de partes y cualquier otro desperfecto que pudiera afectarla para asegurarse que la herramienta funcionará correctamente y todas las partes actuarán de acuerdo a su función correcta. No utilice un producto dañado. Una guía o cualquier otra parte dañada debería ser debidamente reparada o reemplazada utilizando recambios oficiales.
22. **COLOQUE LA PIEZA EN LA DIRECCIÓN CORRECTA.** Empuje la pieza de trabajo contra la dirección de rotación del disco, hoja de corte o superficie abrasiva. Alimentar las piezas en dirección contraria puede provocar que la pieza sea proyectada a gran velocidad.
23. **NUNCA DEJE DESATENDIDA LA HERRAMIENTA MIENTRAS ESTÉ EN MARCHA. DESCONECTE LA ELECTRICIDAD.** No se aparte de la misma hasta que se haya detenido completamente. En caso de un fallo de la energía, coloque en conmutador en la posición de apagado "OFF".
24. **ESTÉ ALERTA, VIGILE LO QUE ESTÁ HACIENDO, Y UTILICE EL SENTIDO COMÚN.** No utilice herramientas mientras esté cansado o bajo la influencia de las drogas, alcohol o medicación. Un momento de distracción durante su uso puede causar heridas.
25. **RECAMBIOS.** Utilice sólo piezas de recambio idénticas a las originales cuando haga el mantenimiento de su herramienta.
26. **VISTA UN ATUENDO ADECUADO.** No vista ropa suelta, guantes, corbatas, anillos, brazaletes, u otra joyería que pueda quedar atrapada en las partes móviles. Se recomienda calzado de protección antideslizante. Use redes de protección para el pelo si tiene el pelo largo.
27. **LLEVE PROTECCIÓN OCULAR ADECUADA.** Todas las personas en el área de trabajo deberían utilizar gafas de seguridad con protección lateral. Gafas corrientes con cristales reforzados no son equipos de seguridad. El equipo ocular debe cumplir con los estándares de seguridad ANSI Z87.1.
28. **PROTECCIÓN AUDITIVA.** Toda la gente en el área de trabajo debería llevar protección auditiva conforme a los niveles y exposición de ruido. El equipo auditivo debería cumplir con los estándares ANSI S3.19.
29. **PROTECCIÓN CONTRA EL POLVO.** El uso de herramientas puede generar y/o remover el polvo, que puede causar enfermedades respiratorias o de otro tipo, incluyendo silicosis (una grave enfermedad respiratoria), cáncer, o incluso la muerte. Dirija las partículas lejos de su cara y su cuerpo. Use siempre la herramienta en un área bien ventilada y con algún método de extracción para el polvo. Use un sistema extractor siempre que sea posible. Evite respirar el polvo y el contacto prolongado con éste. Permitir que el polvo entre en su boca u ojos, o el contacto con su piel, puede promover la absorción de material nocivo. Use protección respiratoria aprobada por la NIOSH/OHSA de acuerdo con la exposición al polvo y lave las áreas expuestas con agua y jabón.

AVISO DE LA PROPUESTA DE LEY 65: El polvo creado por el lijado, aserrado, rebajado, pulido, taladrado y otras actividades de la construcción puede contener productos químicos que el estado de California considera como causantes de cáncer, defectos en el nacimiento u otro daño reproductivo. Algunos ejemplos son:

- Plomo de pinturas con base de plomo.
- Sílice cristalino de ladrillos, cemento, y otros productos de albañilería.
- Polvo de amianto.
- Arsénico y cromo de madera tratada químicamente.

GUARDE ESTAS INSTRUCCIONES.

Consúltelas a menudo y úselas para instruir a otros.

Si presta su herramienta a alguien, préstele también estas instrucciones.

NORMAS DE SEGURIDAD DE LA SIERRA DE MESA

⚠ ADVERTENCIA No seguir estas normas puede causarle heridas graves.

- **CONSULTE LA SECCIÓN DE SEGURIDAD DE HERRAMIENTAS DE ESTE MANUAL.** Lea completamente este manual antes de usar la sierra de mesa. Aprender las aplicaciones, limitaciones y peligros potenciales de la sierra minimizará considerablemente la posibilidad de accidentes y heridas. Asegúrese que todos los usuarios se han familiarizado con los avisos e instrucciones antes de usar la sierra.
- **CONSULTE LA SECCIÓN DE CONEXIÓN ELÉCTRICA DE ESTE MANUAL** para ver las instrucciones y avisos relativos a los cables y conexiones.

TERMINOLOGÍA

Los siguientes términos serán usados en este manual y usted debería familiarizarse con ellos.

- Corte completo se refiere a cualquier corte que corte completamente a través de la pieza de trabajo.
- Corte de ranura se refiere a cualquier corte que no atraviese completamente la pieza de trabajo.
- Empujadores son piezas de plástico o madera, habitualmente hechas a medida, utilizadas para empujar las piezas pequeñas en dirección a la sierra y mantener las manos del usuario lejos del disco de corte (ver Figura 32 en página 24)
- Un culatazo ocurre cuando la hoja de la sierra queda atrapada en el corte o entre la hoja y la guía y empuja la pieza hacia atrás, en dirección al usuario.
- A pulso significa cortar sin utilizar la regla de ingletes o la guía de corte u otro medio de guiar o sostener la pieza que no sea la mano del usuario.
- Corte ciego significa realizar un corte en la pieza, ya sea subiendo la hoja de corte a través de la pieza o bajando la pieza hacia la hoja.
- Recorte – dar la vuelta al material para hacer un corte que la sierra no es capaz de hacer en una sola pasada.
- Corte de canal – también conocido como acanalado, el corte de canal es una operación donde la pieza se suministra en un ángulo con respecto a la hoja de corte.

⚠ ADVERTENCIA No seguir estas normas puede causar heridas graves.

1. **NUNCA** haga cortes, recortes, cortes ciegos o cortes de canal a pulso.
2. **USE PROTECCIÓN OCULAR**, indumentaria apropiada, protección auditiva y protección contra el polvo tal y como especifica la sección Normas Generales de Seguridad para Herramientas de este manual.
3. **USE LA PROTECCIÓN DEL DISCO, LA CUCHILLA DE SEPARACIÓN Y LOS TRINQUETES ANTIRRETROCESO.** Su sierra está equipada con una protección de disco modular, cuchilla de separación y trinquetes antirretroceso, cada componente de los cuales debería utilizarse para cada operación posible, incluyendo los cortes completos. Este juego de piezas se describe en detalle más adelante. Asegúrese que todas sus partes están instaladas de forma segura antes del uso.
4. **MANTENGA SU CUERPO Y MANOS LEJOS DE LA TRAYECTORIA DE LA SIERRA. NUNCA** coloque ninguna parte de su cuerpo alineada con la dirección de la hoja de corte.
5. **UTILICE EMPUJADORES** apropiados para empujar y sostener la pieza de trabajo durante toda la operación de corte. Un empujador es una vara de madera o plástico, habitualmente hecha manualmente, que debería usarse siempre que el tamaño o forma de la pieza de trabajo requiera colocar las manos a menos de 6 pulg. (152 mm) de la hoja o disco de corte. En este manual se incluyen las instrucciones para hacer un empujador.
6. **EVITE LOS CULATAZOS.** Preste atención a las instrucciones (más adelante) para reducir el riesgo de culatazos.
7. **NO CORTE A PULSO.** Utilice siempre una guía de corte, regla de ingletes, u otros sistemas adecuados para guiar o sujetar la pieza de trabajo. Utilice mordazas, sargentos, tornillos de banco o peines antirretroceso para ayudar a guiar y controlar la pieza a cortar. Hay accesorios para usar con su sierra que usted puede adquirir a un coste adicional en su proveedor local o taller de mantenimiento autorizado.
8. **NO UTILICE LA GUÍA DE CORTE Y LA REGLA DE INGLETES AL MISMO TIEMPO.**
9. **NO SE INCLINE SOBRE LA MÁQUINA.** Nunca intente acercar las manos a la herramienta de corte o ponerlas alrededor o detrás de la misma mientras el disco de corte está en movimiento.
10. **ESTABILIDAD.** Asegúrese que la sierra de mesa está correctamente montada y se encuentra en una superficie estable antes de usarla, para evitar que ésta se mueva durante el corte.
11. **MONTAJE CORRECTO.** No utilice esta sierra hasta que esté completamente montada e instalada de acuerdo a las instrucciones.
12. **COMPRUEBE LAS PIEZAS A SERRAR Y LOS AJUSTES** antes de cada operación. Nudos, irregularidades o clavos en la pieza, errores de posicionamiento o ajustes incompletos pueden interferir o afectar el rendimiento de la sierra y su seguridad personal.

NORMAS DE SEGURIDAD DE LA SIERRA DE MESA (continuación)

13. **USE LA PLACA DE INSERTO ADECUADA.** La placa de inserto adecuada debe estar en su sitio, debidamente asegurada en todo momento, para reducir el riesgo de proyección de las piezas y posibles heridas.
14. **UTILICE LA HOJA DE CORTE CORRECTA Y LA CUCHILLA SEPARADORA** para el uso que le vaya a dar. La hoja debe instalarse de forma que sus dientes apunten hacia el frente de la sierra. No utilice hojas sobredimensionadas o con una apertura de eje incorrecta. Acople siempre el disco al eje de forma segura. Antes del uso, inspeccione la sierra para ver que no haya grietas o falten dientes. No use una sierra dañada o embotada. Use siempre la sierra del grosor adecuado dentro del rango para el que se haya diseñado la cuchilla separadora.
15. **EVITE POSTURAS Y OPERACIONES FORZADAS** en las que un desliz repentino pudiese causar que la mano entrara en contacto con el disco de corte. Opere con la mesa al nivel de su cintura o cercano para un máximo control y equilibrio. Anticipe el efecto del tamaño de la pieza en su capacidad de ajustar la posición y mantener el control durante todo el proceso del corte.
16. **MANTENGA SIEMPRE LOS BRAZOS, MANOS Y DEDOS AL MENOS A SEIS PULGADAS DE DISTANCIA DEL DISCO DE CORTE.**
17. **NUNCA CORTE METALES, PLACAS DE FIBROCEMENTO O PIEZAS DE MAMPOSTERÍA.** Ciertos materiales tienen instrucciones especiales para su corte con sierras de mesa. Siga las recomendaciones del fabricante en todo momento.
18. **NUNCA INTENTE LIBERAR UNA HOJA ATRANCADA O UNA PIEZA ATRAPADA** sin antes apagar la máquina y desconectar la sierra del suministro de energía.
19. **NUNCA ENCIENDA LA MÁQUINA MIENTRAS LA PIEZA ESTÁ EN CONTACTO CON EL DISCO** para reducir el riesgo de proyección de la misma.
20. **NUNCA ABOCETE PLANOS, ENSAMBLE O REALICE TRABAJO DE AJUSTE EN LA MESA O ÁREA DE TRABAJO** mientras la sierra está en marcha.
21. **ANTES DE ALEJARSE DE LA SIERRA,** espere a que ésta se detenga completamente, desconéctela de la fuente de energía, limpie la mesa y área de trabajo, y asegure el conmutador para prevenir usos no autorizados.
22. **SOSTENGA SU PIEZA** dependiendo de su tamaño y el tipo de operación que tenga que realizar. Manténgala firmemente contra la guía mientras la presiona contra la superficie de la mesa. No deje las piezas anchas, largas, u otro tipo de pieza grande) sin soporte – el peso del tablero puede hacer que se desplace en la mesa y pierda usted el control.
23. **RUIDOS NO HABITUALES O VIBRACIÓN EXCESIVA** pueden indicar un problema con su sierra. Si eso ocurre, apáguela y desconéctela de la fuente de alimentación hasta que el problema haya sido localizado y corregido. Contacte con el servicio de atención al cliente para obtener asistencia si no pudo solucionar su problema.
24. **PIDA CONSEJO** a su supervisor, instructor, u otra persona calificada si usted no está completamente familiarizado con el manejo de esta máquina. El conocimiento es seguridad.

CONJUNTO DE PROTECCIÓN DE LA SIERRA, TRINQUETES ANTIRRETROCESO Y CUCHILLA DE SEPARACIÓN

Su sierra de mesa está equipada con protección para el disco de corte, trinquetes antirretroceso y cuchilla de separación que cubren la hoja y reducen la posibilidad de contacto accidental con la sierra. La cuchilla de separación es una placa plana que encaja en el corte hecho por la sierra y que reduce los culatazos reduciendo la tendencia del disco de quedar atrapado en el surco del corte. A cada uno de los dos lados de la cuchilla hay sendos trinquetes antirretroceso que permiten que la madera pase a través de la sierra en la dirección del corte, pero reducen la posibilidad que el material sea proyectado hacia atrás en dirección al operario. La protección de la sierra y los trinquetes deben ser usados únicamente en cortes completos que dividan completamente la madera. Cuando haga rebajes y otros cortes no completos, la protección y los trinquetes deben ser retirados y la cuchilla de

separación bajada a la posición de corte no completo marcada en la misma.

Use todos los componentes del sistema de protección (protector de la sierra, cuchilla de separación y trinquetes antirretroceso) para cada operación en que puedan usarse, incluyendo el corte completo. Si usted elige no usar alguno de estos componentes para una aplicación en particular, ponga una atención especial en lo que respecta al control de la pieza, el uso de empujadores, la posición de sus manos en relación al disco de corte, el uso de gafas de seguridad, los medios para evitar culatazos y el resto de avisos contenidos en este manual y en la sierra misma. Vuelva a colocar los sistemas de protección una vez vuelva a las operaciones de corte completo. Mantenga el conjunto de las protecciones en estado de funcionamiento.

FABRICANDO UN EMPUJADOR

Para poder operar con su mesa de forma segura, debe usar un empujador siempre que el tamaño de la pieza le obligara a tener sus manos a menos de 6 pulgadas (152 mm) de la hoja de la sierra u otra parte cortante. Con esta sierra se incluye un empujador.

No se requiere ningún tipo de madera especial para hacer empujadores adicionales, mientras éstos sean suficientemente largos y la madera esté libre de nudos, estorbos y grietas. Se recomienda una longitud de 16 pulgadas (400 mm), con una muesca que encaje con el canto de la pieza de trabajo, para prevenir deslices. Es recomendable tener varios empujadores

de la misma longitud mínima, 16 pulgadas (400mm), con muescas de diferente tamaño para diferentes grosores de pieza.

La forma puede variar para adaptarse a sus necesidades, mientras le sirva para mantener sus manos lejos de la hoja de la sierra. Dar un ángulo a la sierra para que el empujador pueda estar a un ángulo de 20-30° con respecto a la mesa de la sierra le ayudará a mantener la pieza contra la mesa mientras la mueve a través de la sierra. Consulte el diagrama de la sección de ayudas al corte en la página 24 de este manual.

CULATAZOS

Los culatazos pueden producir heridas graves. Un culatazo ocurre cuando una parte de la pieza queda atrapada entre la sierra y la guía de corte, u otro objeto fijo, y sale despedida de la mesa, proyectada hacia el operador. Los culatazos pueden ser evitados prestando atención a las siguientes recomendaciones.

Cómo reducir el riesgo de culatazos y protegerse de posibles heridas:

- Asegúrese que la guía de corte está paralela a la hoja de la sierra.
- **NO** corte aplicando fuerza a la parte de la pieza que quedará libre después de cortar. La fuerza de empuje debería aplicarse siempre en la parte de la pieza que pasará entre la hoja de corte y la guía, utilice un empujador para piezas estrechas, de 6 pulgadas (152 mm) o menos.
- Mantenga la protección de la hoja, cuchilla de separación y conjunto antirretroceso en su sitio y en buenas condiciones. La cuchilla de separación debe estar alineada con el disco de corte y el conjunto antirretroceso debe poder parar un culatazo cuando éste se produzca. Compruebe su efectividad antes de cortar empujando la madera bajo el conjunto antirretroceso. Los dientes deben evitar que la madera sea empujada hacia el frente de la sierra. Si cualquier parte del conjunto no está operacional, vaya al centro de servicio autorizado más cercano para su reparación.
- Pueden cortarse plástico y materiales compuestos (como aglomerado) en su sierra. Sin embargo, como éstos suelen ser bastante duros y resbaladizos, los trinquetes antirretroceso podrían ser incapaces de detener un culatazo. Por lo tanto, ponga especial atención en cumplir con los procedimientos de preparación y corte cuando haga cortes al hilo.
- Utilice la protección de la sierra, los trinquetes antirretroceso y la cuchilla de separación siempre que sea posible, incluyendo todos los cortes completos.
- Empuje la pieza más allá de la hoja de la sierra antes de soltarla.
- **NUNCA** corte al hilo una pieza que está retorcida o deformada, o que no tenga un eje recto que pueda seguir a lo largo de la guía.
- **NUNCA** corte una pieza grande que no pueda mantener bajo control.
- **NUNCA** use la guía, ya sea como guía o tope, cuando haga cortes cruzados.
- **NUNCA** corte una pieza con nudos, defectos, clavos, u otros objetos extraños.
- **NUNCA** corte al hilo una pieza de longitud inferior a 10 pulgadas (254 mm).
- **NUNCA** use un disco romo. Una hoja roma o embotada debe ser reemplazada o reafilada.

CONEXIONES ELÉCTRICAS

FUENTE DE ENERGÍA

Esta sierra está equipada con un motor de 15A para usarse con corriente alterna de 120V y 60Hz. Vea las instrucciones más adelante en relación a las conexiones y cableado adecuado para su sierra.

Para la tensión, el cableado en un taller es tan importante como la clasificación del motor. Un cable de iluminación puede que no sea capaz de canalizar la corriente necesaria para el motor de una herramienta eléctrica; un cable adecuado para una distancia corta puede ser demasiado fino si la distancia es más grande, y un cable que puede soportar una herramienta podría no ser capaz de alimentar a dos o tres.

Para este tipo de máquinas debería usarse un circuito eléctrico separado. Ese circuito no debería tener cable de diámetro inferior al del #12, y debería protegerse con un fusible de retraso de tiempo de 20A. Si usted usa un alargo eléctrico, utilice sólo aquellos con enchufes de 3 clavijas con toma de tierra, y con un enchufe que acepte las clavijas del enchufe de la máquina. Antes de conectar la máquina a la red eléctrica, asegúrese que el conmutador está en la posición de apagado, "OFF", y que la corriente eléctrica es de las mismas características que la indicada en la máquina. Una caída de tensión sustancial causaría pérdida de potencia y sobrecalentaría el motor. También podría dañar la máquina.

⚠ PELIGRO NO EXPONGA LA MÁQUINA A LA LLUVIA NI LA UTILICE EN ZONAS HÚMEDAS.

ALARGOS ELÉCTRICOS

⚠ PELIGRO Jamás utilice un cable de alargo dañado. Compruebe los alargos antes de cada uso. Si resultan dañados, sustitúyalos inmediatamente. Tocar el área dañada podría producirle descargas eléctricas que le ocasionarían heridas graves.

⚠ ATENCION Mantenga el alargo eléctrico lejos del área de trabajo. Coloque el cable de forma que no quedará atrapado por la madera, herramientas u otros obstáculos.

- Utilice los cables de alargo adecuados. Cuando use un alargo, asegúrese de usar uno suficientemente grueso como para llevar la corriente de la máquina. Un cable demasiado fino ocasionará una caída de tensión en el cable, que acabaría produciendo pérdida de potencia y sobrecalentamiento. La tabla que hay más adelante muestra el calibre máximo dependiendo de la longitud del cable. En caso de duda, utilice el cable inmediatamente más grueso. Cuanto más pequeña la numeración de calibre, más grueso el cable. Sólo deberían usarse cables redondos y con cubierta, listados por Underwriter's Laboratories (UL).

CALIBRE MÍNIMO DE LOS ALARGOS			
MEDIDAS RECOMENDADAS PARA USAR CON MÁQUINAS ELÉCTRICAS ESTACIONARIAS			
Amperaje	Voltaje	Longitud total del cable en pies	Calibre del alargo
0-6	120	hasta 25	18 AWG
0-6	120	25-50	16 AWG
0-6	120	50-100	16 AWG
0-6	120	100-150	14 AWG
6-10	120	hasta 25	18 AWG
6-10	120	25-50	16 AWG
6-10	120	50-100	14 AWG
6-10	120	100-150	12 AWG
10-12	120	hasta 25	16 AWG
10-12	120	25-50	16 AWG
10-12	120	50-100	14 AWG
10-12	120	100-150	12 AWG
12-16	120	hasta 25	14 AWG
12-16	120	25-50	12 AWG
12-16	120	NO MÁS DE 50 PIES DE LONGITUD	

DESEMBALAJE

⚠ ADVERTENCIA

- La máquina es pesada, hacen falta dos personas para desembalar y levantarla.
- Utilice una correa de seguridad para evitar volcar la máquina al levantarla.
- Antes del montaje y uso de la máquina, lea este manual a fondo para familiarizarse con los procedimientos de montaje, mantenimiento y seguridad correctos.

Compruebe el estado de la caja y el de la herramienta para ver si han recibido desperfectos antes de desembalar. Retire las piezas en la capa superior de espuma cuidadosamente, y luego siga con los de la capa inferior. Disponga todas las piezas en un trozo de cartón u otra superficie llana y limpia. Se requieren dos o más personas para sacar la sierra de la caja. Busque y retire cualquier material de embalaje protector alrededor

CONTENIDO DE LA CAJA

- A. Sierra de 10 pulgadas Delta n° 36-6010
- B. Guía
- C. Disco de corte de 10 pulgadas
- D. Trinquetes antirretroceso
- E. Protección del disco
- F. Placa de inserto
- G. Regla de ingletes

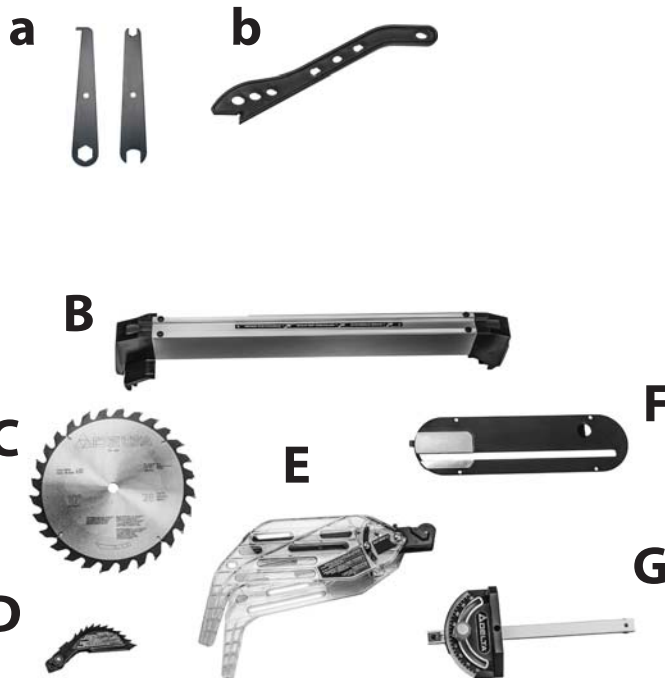
de motores y otras partes móviles. No tire la caja y material de embalaje hasta que no haya inspeccionado el contenido, ensamblado la sierra y esté seguro que funciona correctamente.

Compare el contenido del paquete con la lista de piezas y componentes y con la lista de paquetes de ferretería antes del montaje para asegurarse que todo está presente. Inspeccione cada pieza cuidadosamente para asegurarse que no ha recibido daño durante el transporte. Si falta cualquier pieza, está dañada o preensamblada, no la monte. En vez de eso, pida ayuda llamando a Atención al Cliente DELTA® al 1-800-223-7278.

Después del montaje retire cualquier material o recubrimiento protector de todas las piezas y de la sierra de mesa. Los recubrimientos protectores pueden retirarse pulverizándolos con WD-40® y limpiándolos con un trapo suave. Para retirarlos completamente, puede tener que repetir la operación varias veces.

Los siguientes objetos se hallan en sus respectivas áreas de almacenaje en la sierra:

- a. Llaves del disco (2)
- b. Empujador



DESEMBALAJE (continuación)

CONTENIDO DE LOS PAQUETES DE FERRETERÍA 1 Y 2

Descripción (CANT)

- A. Llave Allen 5mm (1)
- B. Perno hexagonal de cabeza redondeada M6 x 20 (2)
- C. Perno de pivote para la manija del volante (1)
- D. Pomo del volante para ajuste de altura



A



B



C



D

ENSAMBLAJE

⚠ ATENCION

- No levante la sierra sin ayuda. Manténgala cerca de su cuerpo mientras la levante. Doble las rodillas y haga fuerza con sus piernas, no con su espalda.
- Monte completamente la sierra y su soporte antes de su uso.
- El montaje de las patas es una parte integral y necesaria de la estructura de soporte para esta sierra.
- No modifique la sierra o cree accesorios no recomendados para usar con esta sierra.

- Asegúrese que el conmutador está en la posición de "OFF" antes de conectarse a la red eléctrica. No conecte a la red eléctrica antes de terminar por completo el montaje.

⚠ ATENCION

- Evite el contacto con los dientes de la sierra. Mantenga el disco guardado o en posición baja siempre que sea posible.

DISCO Y PROTECCIONES

Acople el disco

Instale la perilla de ajuste de altura como se muestra en ensamble de motor/arbor de pág. 65 Fig. 1 y subir a la posición más alta para proporcionar fácil acceso a rajar Asamblea de cuchillo cerradura pomo y arbor.

Retire la cuchilla de separación aflojando el pomo de fijación de la cuchilla (A) hasta que llegue al tope. Presione el pomo de fijación hacia dentro y retire la cuchilla de separación tirando de ella hacia arriba y hacia el frente de la sierra. (B)

Vea Figura 1.

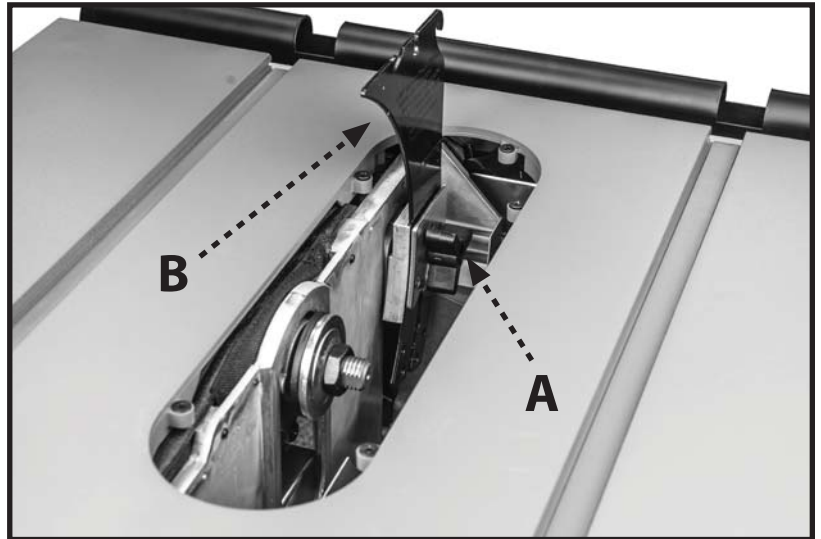


FIGURA 1

Retire las llaves proporcionadas con la sierra y que se hallan en el lateral derecho aflojando y retirando la palomilla M8.

Coloque la llave abierta (A) en el espacio entre la brida del eje y la brida interior. Sitúe la llave cerrada sobre la tuerca del eje (B). Sosteniendo el eje en su sitio, afloje y retire la tuerca del eje y la brida del eje.

Vea Figura 2.



FIGURA 2

Coloque el disco en el eje con los dientes frontales apuntando hacia abajo (A). La etiqueta del disco debería apuntar hacia la izquierda.

Vuelva a colocar la brida del eje y asegure la tuerca del eje usando ambas llaves.

Vuelva a colocar la cuchilla de separación.

Vuelva a colocar las llaves en la sierra y asegúrelas con la palomilla.

Vea Figura 3.

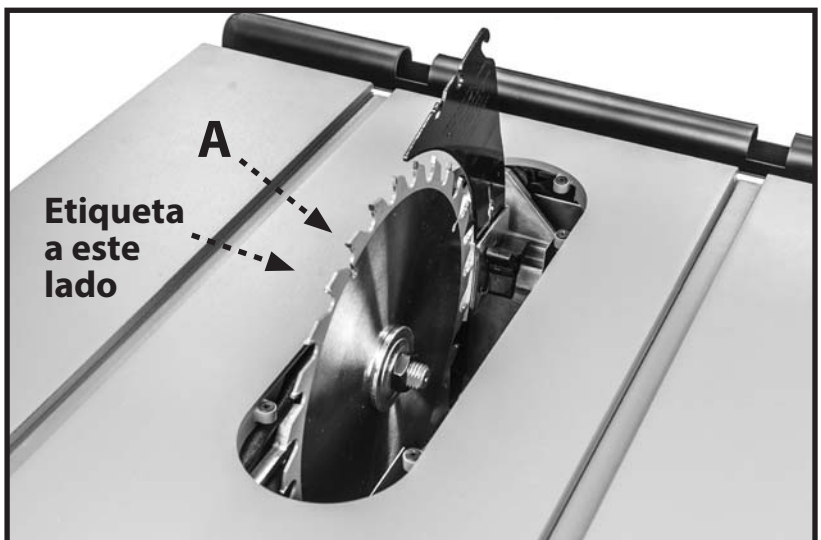


FIGURA 3

Coloque la placa de inserto

Vea Figura 4.

Sitúe la placa de inserto en su sitio con la placa antidesgaste (A) en la parte posterior.

Enganche la pestaña posterior de la placa inserto con la mesa y presione la parte frontal hacia abajo hasta que la pestaña frontal (B) encaje con la mesa.

Nivele la placa de inserto con la superficie de la mesa usando (4) tornillos de cabeza plana. Vea la Figura 37 en la página 77.

NOTA: Hay un quinto tornillo de cabeza plana debajo de la placa de garganta que se ajusta para proporcionar apoyo bajo la placa de desgaste. Ajuste este tornillo según sea necesario para brindar apoyo.

NOTA: No intente asegurar la placa de inserto a la mesa usando los tornillos de nivelación de la misma.

Trinquetes antirretroceso y protección del disco

Coloque el conjunto de los trinquetes en la ranura del extremo posterior de la cuchilla separadora (A) como se muestra en la Figura 5 y presione el resorte (B) del lado derecho de los trinquetes.

Una vez insertados, suelte el resorte de forma que vuelva a encajar en su sitio. Asegúrese de ello.

Sujete la protección de disco en la posición indicada en la Figura 6 y coloque el perno con la ranura en la cuchilla de separación (B). Tire de la protección del disco para colocarla en su sitio.

Gire las protecciones del disco para que los brazos de soporte (A) estén paralelos a la mesa. Fije la protección en su sitio presionando la pestaña de fijación (B).

Vea Figura 7.

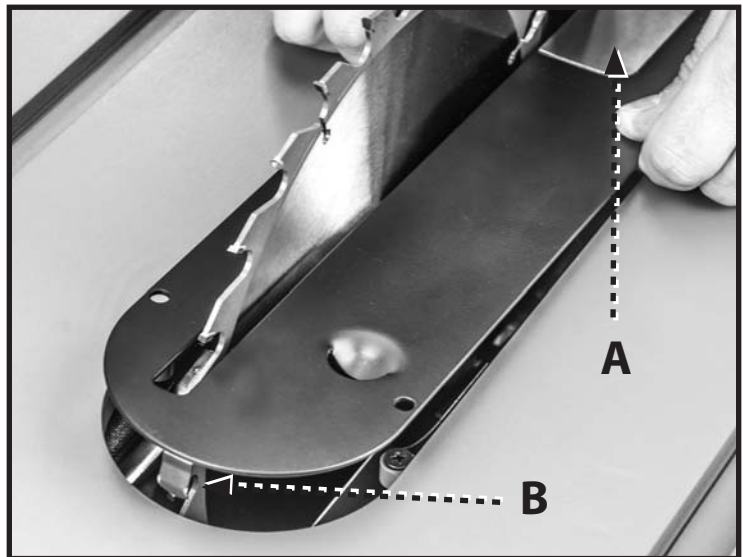


FIGURA 4

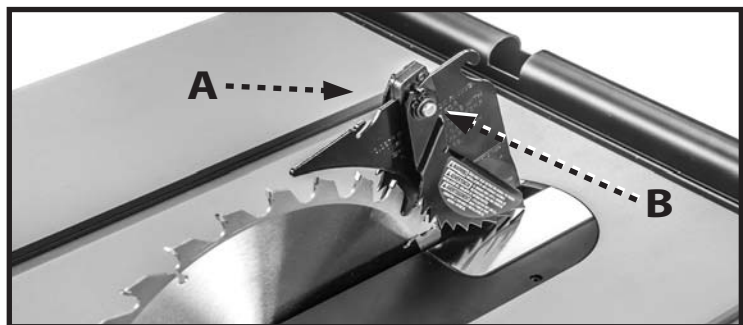


FIGURA 5

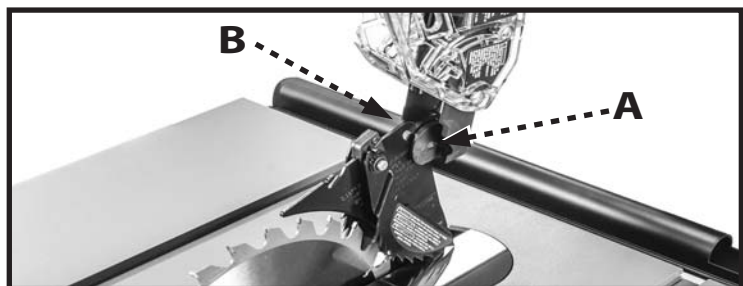


FIGURA 6

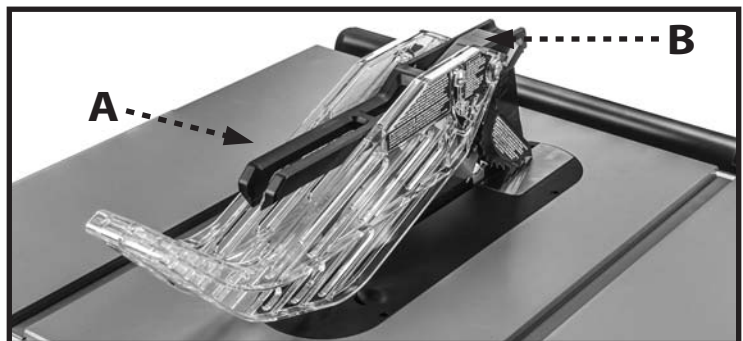


FIGURA 7

ENSAMBLAJE (continuación)

Topes del soporte de salida

Consulte la Figura 8.

Abra la extensión trasera de la mesa para dejar al descubierto los dos orificios (A). Inserte un tornillo hexagonal de cabeza redondeada M6 x 20 (B) desde abajo, y apriételo con la llave Allen de 5mm suministrada.

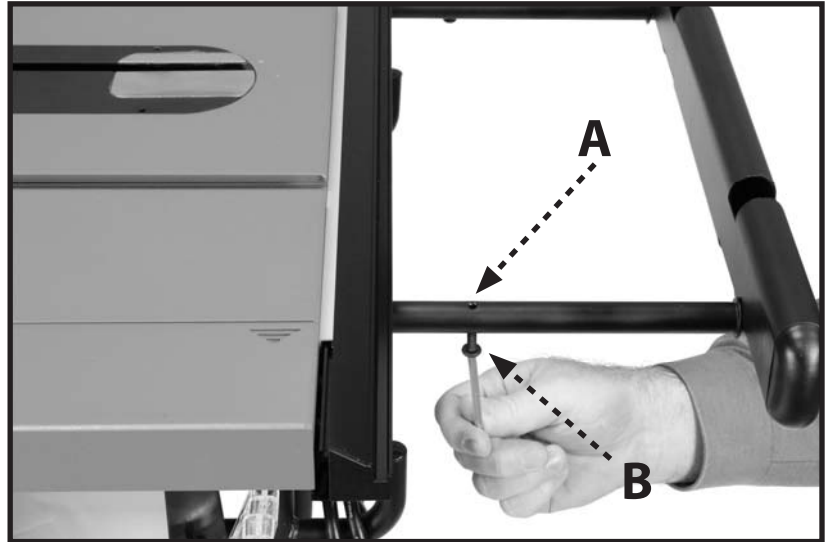


FIGURA 8

Guía

Coloque la guía sobre los perfiles frontal (A) y trasero (B). Asegúrese que los cierres de la guía (C) están en posición de desbloqueo (hacia arriba).

Coloque el extremo trasero de la guía en el perfil trasero y asegúrese que la pestaña de bloqueo de la guía queda debajo del mismo. Repita para el perfil frontal.

Presione ambos cierres para fijar la guía en su sitio.

Vea Figura 9.

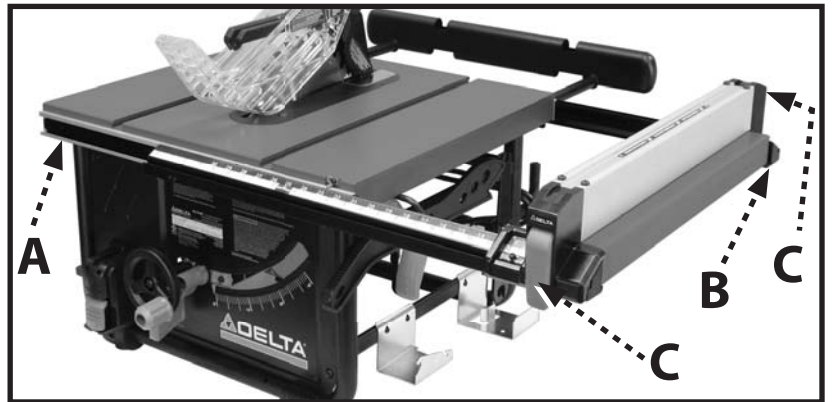


FIGURA 9

ESPACIO DE ALMACENAJE

El espacio de almacenaje está situado en los paneles izquierdo y derecho, y en la parte trasera de la herramienta, tal y como se muestra en las figuras 10 y 11.

- A. Empujador
- B. Conjunto antirretroceso
- C. Llaves
- D. Conjunto del protector de disco
- E. Cable eléctrico
- F. Guía
- G. Regla de ingletes

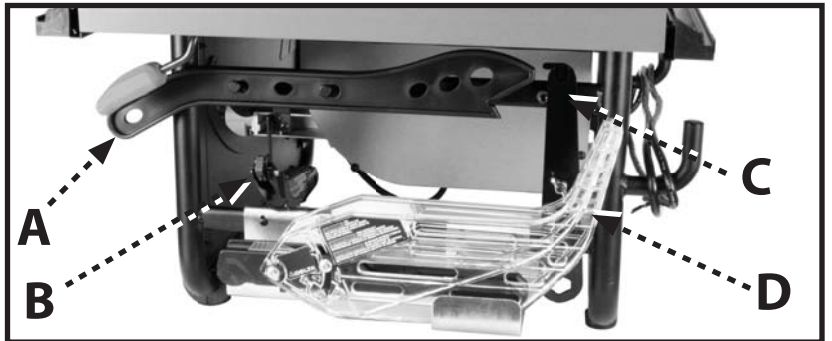


FIGURA 10



FIGURA 11

Altura de instalación Perilla de Ajuste

1. Inserte el tornillo de hombro de la manija de la rueda (C) en la perilla del volante de ajuste de altura (D) como se muestra en la Fig. 1.
2. Apriete el tornillo de hombro con el destornillador Philips en el volante como. La perilla de la rueda de ajuste de altura debe girar libremente alrededor del tornillo de hombro al subir o bajar la hoja con el volante de ajuste de altura.

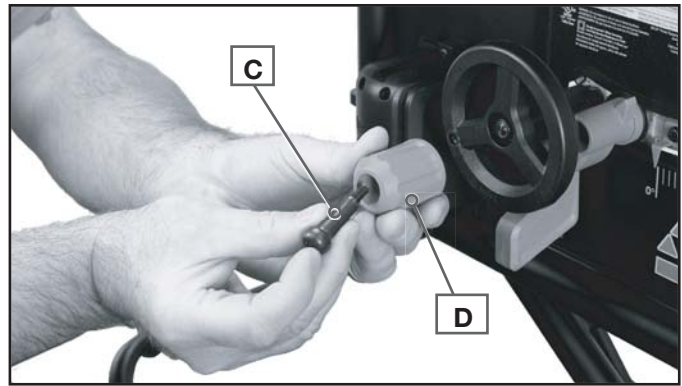


Fig. 1

MANEJO

⚠ ADVERTENCIA El no observar los siguientes avisos puede ocasionarle heridas graves.

LEA COMPLETAMENTE EL MANUAL. Además de leer estas instrucciones de manejo, es importante que lea y comprenda el manual en su totalidad antes de operar esta sierra. Siga todas las instrucciones aplicables con respecto a montaje, preparación y ajustes antes de hacer cualquier corte, y cumpla con todas las normas de seguridad y avisos en esta sección y en cualquier otra parte del manual.

1. Cada vez que use la sierra, compruebe la siguiente lista de verificación:

- El suministro de energía y las conexiones eléctricas, ¿son las adecuadas para la sierra?
- La sierra y el área de trabajo, ¿están limpias y libres de obstáculos y espectadores?
- ¿Está el disco apretado y debidamente alineado?
- El grosor de la cuchilla de separación, ¿es el adecuado para el disco de corte?
- ¿Están el disco y la cuchilla de separación debidamente alineados?
- ¿Está el operario cualificado para hacer el corte y familiarizado con todas las normas de seguridad, avisos e instrucciones aplicables incluidos en este manual?
- ¿El operador y todas las personas que están cerca de la sierra están usando protección de ojos, oídos y equipo respiratorio adecuados?
- ¿Están los pomos de fijación de ángulo de bisel y ajuste de altura fijos en el sitio adecuado?
- ¿Está el disco a la altura correcta?
- Si corta al hilo, ¿Está la guía paralela al disco y fijada en esa posición?
- Si hace un corte cruzado, ¿está fija la regla de ingletes?
- Si hace un corte completo con un disco estándar, ¿están la protección de disco, cuchilla de separación y trinquetes antirretroceso debidamente colocados y en estado de funcionamiento con ambas protecciones en contacto con la superficie de la mesa?
- ¿Hay suficiente espacio y soporte para la pieza de trabajo a medida que ésta ya ha pasado por el disco?

- ¿Se necesita algún accesorio para el corte? De ser así, ¿están en su sitio o dentro de su alcance para que pueda usarlos en el momento que hagan falta?
2. El uso de complementos y accesorios no recomendados por DELTA® Power Equipment Corporation puede ocasionarle heridas.
 3. Sustituya o afile los trinquetes antirretroceso cuando sus puntas estén romas.
 4. Asegúrese que la sierra está estable y que puede cortarse en ella sin que se tambalee.
 5. Nunca use la guía y regla de ingletes juntas sin usar un bloque de corte tal y como se describe.
 6. Debe haber colocada la placa de inserto correcta en todo momento.
 7. Si su sierra hace un ruido extraño o si vibra demasiado, detenga toda operación hasta que haya localizado la causa y solucionado el problema.
 8. Nunca realice a pulso cortes, cortes ciegos, recortes o cortes de canal.

EVITAR CULATAZOS

Un culatazo puede darse cuando la pieza de trabajo aprisiona el disco, o queda atrapada entre el disco y la guía, u otro objeto fijo. Esto puede causar que la pieza se levante de la mesa y/o sea proyectada en dirección al operario. Consulte las instrucciones para reducir los culatazos en la página 7 de este manual.

SI OCURRIERA UN CULATAZO, apague la sierra y compruebe la correcta alineación del disco, cuchilla de separación y regla de ingletes o guía, y el correcto funcionamiento de la cuchilla de separación, conjunto antirretroceso y protección del disco antes de seguir con su trabajo.

ENCENDER Y APAGAR LA SIERRA

El conmutador de encendido/apagado (en rojo) está en el lado izquierdo del panel frontal de la sierra.

Para encender la sierra, mueva el conmutador hacia arriba a la posición ON. Baje el conmutador a OFF para apagarla.

Cuando no la esté usando, la sierra debería estar apagada y el conmutador bloqueado para evitar todo uso no autorizado. Para bloquear el conmutador, use un candado con un eslabón de al menos 2 ¾ pulg. (70mm) de largo y no más de 9/32 pulg. (7mm) de diámetro.

Vea figura 12.



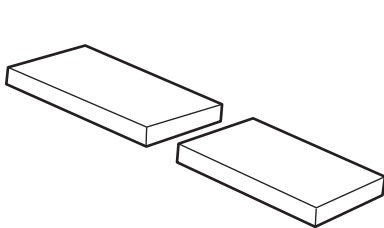
FIGURA 12

CORTE

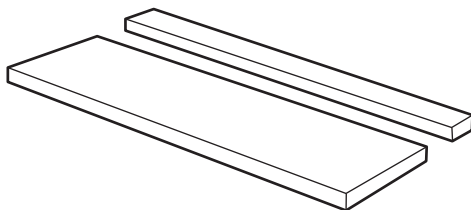
⚠ ADVERTENCIA No seguir con los avisos que se muestran a continuación puede causarle heridas graves.

- Nunca toque el lado libre o descartado de una pieza mientras la sierra está en marcha y el disco está rotando. Podría entrar en contacto con el disco o hacer que la pieza quedara atrancada, produciendo un culatazo.
- Cuando corte una pieza o panel largos utilice un soporte de trabajo, como un caballete, rodillos, o mesa de salida a la misma altura que la superficie de la mesa de la sierra.
- Nunca intente tirar de la pieza mientras el disco está girando. Si necesita tirar de la pieza o levantarla de la mesa, apague el conmutador, deje que el disco se detenga, levante los trinquetes antirretroceso a cada lado de la cuchilla de separación si es necesario, y tire de la pieza.

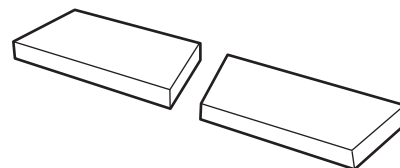
- Antes de conectar la sierra de mesa a la red eléctrica o de usarla, inspeccione siempre el conjunto de protección del disco y la cuchilla de separación para asegurarse que están alineados correctamente y que hay suficiente separación entre éstos y el disco. Haga lo mismo después de cada cambio de ángulo de bisel.
- SIEMPRE debería usar la guía cuando corte al hilo, para evitar pérdidas de control y heridas personales. Siempre fije la guía a los perfiles. JAMÁS haga dichos cortes a pulso.
- Cuando haga cortes a bisel, ponga la guía a la derecha del disco para que éste quede inclinado en dirección contraria a la guía y las manos. Mantenga sus manos a suficiente distancia del disco y use empujadores para mover la pieza a no ser que por su tamaño usted pueda sostenerla a más de 6 pulgadas (152mm) del disco.
- Antes de dejar la sierra desatendida, bloquee el conmutador de encendido, o tome otras medidas para prevenir el uso no autorizado de la sierra.



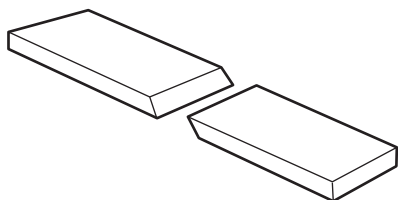
Corte cruzado



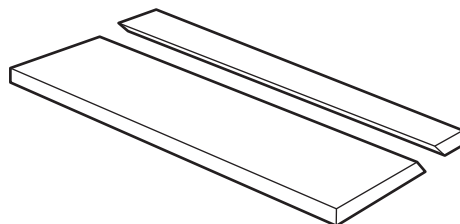
Corte al hilo



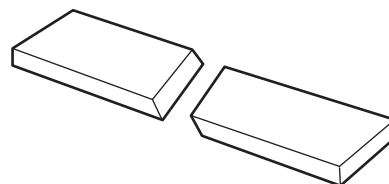
Corte a inglete



Corte cruzado biselado



Corte al hilo biselado



Corte compuesto a inglete

CORTE AL HILO

1. Retire la regla de ingletes
2. Asegúrese que el ángulo de bisel está a 0° .
3. Coloque la sierra a la altura correcta para la pieza que esté cortando.
4. Instale la guía de corte y fijela paralela al disco a la distancia deseada.
5. Mantenga sus dedos al menos a 6 pulgadas de la hoja en todo momento. Si no puede poner su mano de forma segura entre el disco y la guía, seleccione una pieza más grande, o bien use un empujador u otros accesorios para el corte, según sean necesarios, para mantener el control de la pieza.
6. Asegúrese que la pieza no está en contacto con el disco (alejada al menos 1 pulgada o 25mm) antes de encender la sierra.
7. Encienda la sierra.
8. Ponga la pieza plana en la mesa y contra la guía (A). La pieza debe tener un canto plano contra la guía y no debe estar deformada, torcida o arqueada. La posición correcta de las manos se indica en la Figura 13.
9. Deje que el disco gire a toda velocidad antes de mover la pieza hasta el mismo.
10. Pueden usarse ambas manos al principio del corte mientras se mantengan al menos a 6 pulgadas del disco.
11. Mantenga la pieza contra el disco y la guía y empújela lentamente hacia el disco hasta haber finalizado el corte. No sobrecargue el motor forzando la pieza contra el disco.

12. Use empujadores y otros accesorios de corte siempre que sea necesario para sostener la pieza contra la mesa y la guía, y empuje la pieza hasta superar el disco. Con esta sierra se incluye un empujador, y se dan instrucciones para hacer empujadores adicionales y otros accesorios.
13. No empuje o tire de la parte libre o descartada de la pieza.
14. Continúe empujando la pieza hasta que haya superado el disco. No sobrecargue el motor forzando la pieza contra el disco.
15. Cuando acabe el corte, apague la sierra. Espere que el disco se detenga completamente antes de retirar la pieza de la mesa.

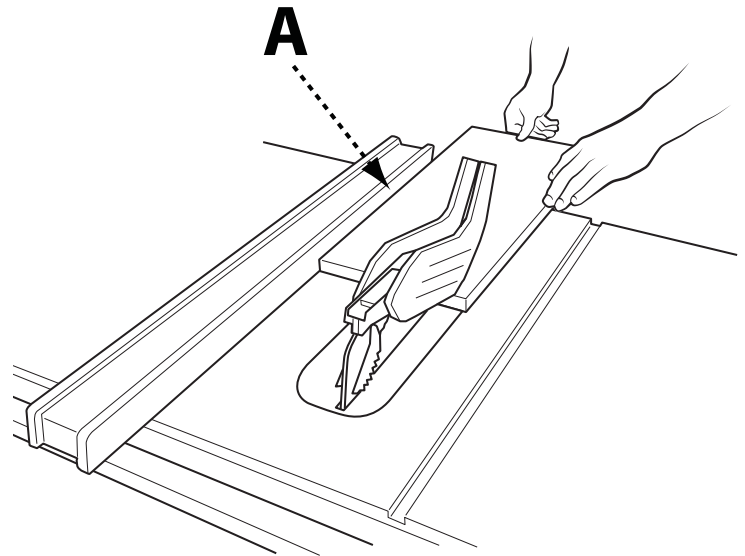


FIGURA 13

CORTE AL HILO BISELADO

Un corte al hilo biselado es lo mismo que un corte al hilo, pero hecho con un ángulo de bisel (A) distinto a 0° . Cuando haga un corte al hilo biselado, coloque la guía a la derecha del disco para que éste esté inclinado en dirección contraria a la guía y manos.

Vea Figura 14.

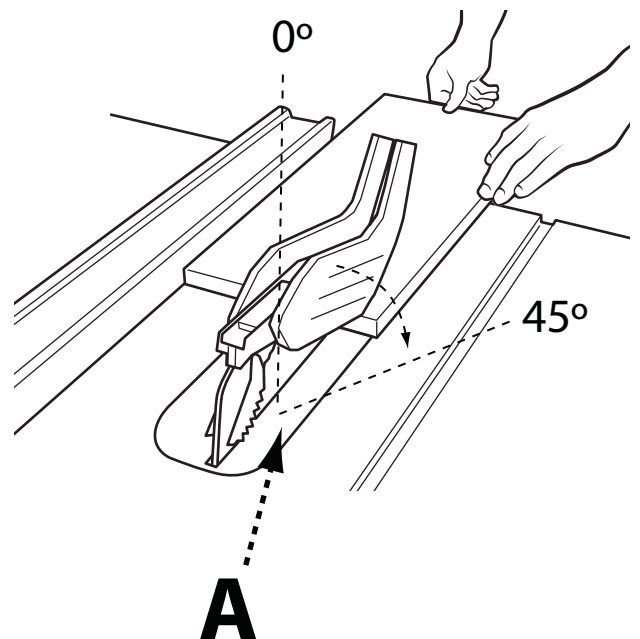


FIGURA 14

CORTE CRUZADO

⚠ ADVERTENCIA

- **JAMÁS** utilice la guía como tal o como tope cuando haga cortes cruzados.
- La parte descartada de la pieza debe estar libre de trabas en cualquier operación de corte completo (que atraviesa completamente la pieza), con el fin de evitar atrapar el disco, cosa que podría proyectar la pieza y posiblemente herirle.
- Cuando use un bloque como guía de corte, el bloque debe tener un grueso de al menos 3/4 de pulgada (19 mm). Es muy importante que la parte trasera del bloque quede asegurada en una posición en la que la pieza queda libre del bloque antes de entrar en contacto con el disco, para evitar que la pieza quede atrapada.

Puede usar la guía de ingletes en cualquier ranura de la mesa para cortes sin bisel. Para incrementar el área de contacto de la guía de ingletes, puede añadir una placa auxiliar (ver accesorios de corte en la página 24 de este manual).

Para hacer un corte cruzado, consulte la Figura 15 y siga este proceso:

1. Retire la guía de corte.
2. Asegúrese que el ángulo de bisel está a 0°.
3. Coloque la sierra a la altura correcta para la pieza que esté cortando.
4. Coloque la regla de ingletes en cualquier ranura de ingletes.
5. Ponga la regla de ingletes a 0° y apriete el pomo de fijación de ángulo.
6. Sus manos deben permanecer en todo momento al menos a 6 pulgadas del disco durante el corte. Si la pieza es demasiado pequeña para mantener las manos a 6 pulgadas del disco, seleccione una pieza más grande o ponga una placa auxiliar en la regla de ingletes y fije la pieza a la placa. Puede hallar las instrucciones

- para fabricar sus propias placas auxiliares en la sección de accesorios de corte, en la página 25 de este manual.
7. Asegúrese que la pieza no está en contacto con el disco (alejada al menos 1 pulgada o 25mm) antes de encender la sierra.
 8. Encienda la sierra.
 9. Deje que el disco gire a toda velocidad antes de mover la pieza hasta el mismo.
 10. La mano más cercana al disco debería estar en el pomo de fijación de la regla de ingletes, y la más alejada debería sostener la pieza firmemente contra la placa de la regla de ingletes. No empuje o tire de la parte libre o descartada de la pieza de trabajo.
 11. Continúe empujando la pieza hasta que haya superado el disco. No sobrecargue el motor forzando la pieza contra el disco.
 12. Cuando acabe el corte, apague la sierra. Espere que el disco se detenga completamente antes de retirar la pieza de la mesa.

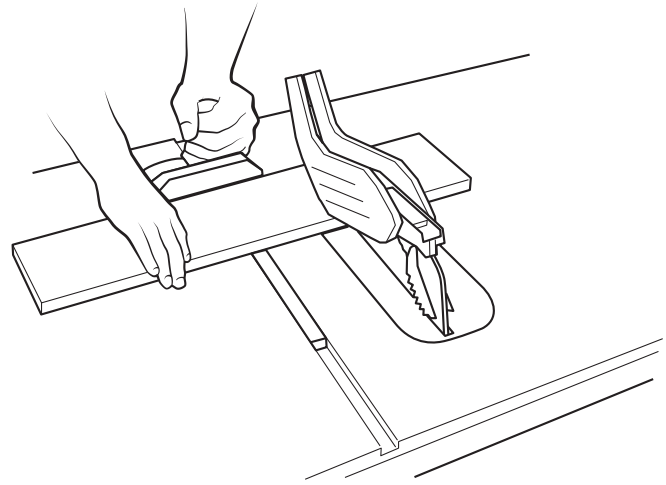


FIGURA 15

CORTE CRUZADO BISELADO

El corte cruzado biselado es idéntico al corte cruzado excepto que el ángulo de bisel (A) es diferente a 90°. Cuando haga un corte cruzado biselado, coloque la regla de ingletes en la ranura de la derecha, para que el disco quede inclinado en dirección contraria a la regla y sus manos. Vea la Figura 16.

CORTES A INGLETE

Los cortes a inglete son cortes cruzados en los que la regla de ingletes está fija en un ángulo distinto a 90°. Para las instrucciones de selección de ángulo, vea la sección de preparación. Para ajustar las paradas de la regla, vea "ajuste de las paradas de bisel" en la página 27 de este manual.

⚠ ADVERTENCIA

- Los ángulos de inglete menores a 45° pueden forzar las protecciones del disco contra el mismo, causando daños a las protecciones y heridas personales. Antes de encender el motor, pruebe la maniobra empujando la pieza hacia el conjunto de protección del disco. Si

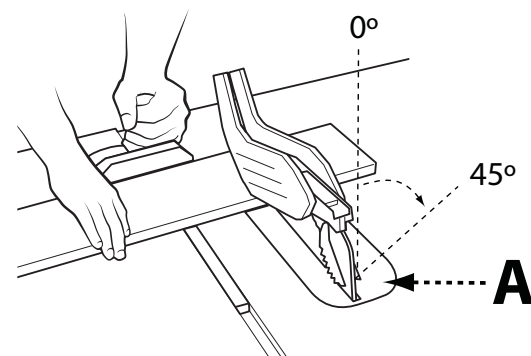


FIGURA 16

la protección entra en contacto con el disco, coloque la pieza bajo las protecciones pero sin tocar el disco antes de encender el motor.

- Ciertas formas de pieza tales como molduras, puede que no levanten la protección del disco correctamente. Con el motor apagado, empuje la pieza hasta que ésta entre en contacto con el disco. Si en esta posición, la protección toca el disco, coloque la pieza bajo las protecciones pero sin tocar el disco antes de encender el motor.

CORTE COMPUESTO A INGLETE

Esto es una combinación de corte cruzado biselado y corte a inglete. Consulte la Figura 17 y siga las instrucciones para corte cruzado biselado y corte a inglete. Recuerde usar la ranura de ingletes derecha para todos los cortes con bisel.

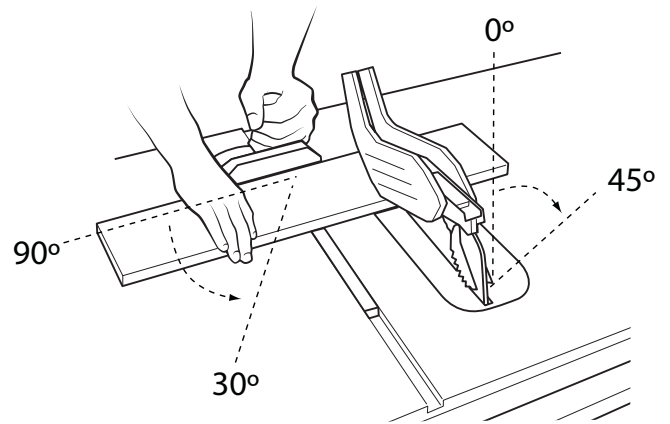


FIGURA 17

CORTE DE PIEZAS GRANDES

Coloque los soportes de pieza a la misma altura que la mesa de la sierra, detrás y alrededor de ésta, para dar soporte a la pieza según sea necesario. Dependiendo de la forma del panel, utilice la guía de corte o la regla de ingletes para controlar la pieza. Si una pieza es demasiado grande para usar cualquiera de las dos, entonces es demasiado grande para esta sierra.

DADOS Y RANURADOS

Hacer cortes que no atraviesen la pieza completamente es esencial en ranuras, rebajes y dados. Este tipo de cortes puede hacerse usando una sierra normal de 10 pulgadas o menos, o una sierra para dados de hasta 13/16 de pulgada de anchura, con un diámetro de 8 pulgadas o menos. Este tipo de cortes son los únicos que deben realizarse sin la protección de la sierra instalada. Asegúrese de volver a colocar la protección una vez haya terminado con este tipo de cortes.

⚠ ADVERTENCIA

- Cuando haga estos cortes, siga todos los avisos e instrucciones aplicables que se listan más adelante, además de aquellos listados anteriormente que puedan ser de aplicación.
- Cuando haga un corte de ranura, la hoja queda cubierta por la pieza durante la mayor parte de la operación. Tenga cuidado con el disco expuesto al principio y final de cada corte
- Nunca empuje la madera directamente con las manos cuando realice cortes como rebajes o dados. Use siempre la regla de ingletes o empujadores, y peines antirretroceso cuando sea apropiado.
- Lea la sección que describa adecuadamente el tipo de corte que vaya a realizar, además de esta sección de cortes ranurados o dados. Por ejemplo, si su corte ranurado es un corte cruzado, lea y comprenda la sección sobre cortes cruzados antes de proceder.
- Una vez haya terminado con todos los cortes ranurados y dados, desconecte la sierra y reinstale la cuchilla de separación o devuélvala a su posición elevada. Instale otra vez los trinquetes antirretroceso y la protección del disco.
- Siga cuidadosamente las instrucciones que acompañan a cualquier disco especializado como los discos para dados y los cortadores de molduras para su correcta instalación, preparación y uso.

HACIENDO UN CORTE RANURADO

1. Desconecte la sierra.
 2. Libere la palanca de desbloqueo.
 3. Ajuste el ángulo de bisel a 0°.
 4. Fije la palanca de bloqueo.
 5. Retire la protección del disco y trinquetes antirretroceso.
 6. Coloque la cuchilla de separación en su posición inferior (vea la sección "bajar la cuchilla separadora" en la página 29).
 7. Ponga el disco a la altura correcta para su pieza de trabajo. Puede consultar las instrucciones para el uso de discos para dados y otros discos especializados más adelante.
 8. Dependiendo de la forma y tamaño de la madera, use la guía de corte o la regla de ingletes.
 9. Enchufe la sierra a la red eléctrica y enciéndala.
 10. Deje que el disco gire a toda velocidad antes de mover la pieza hasta el mismo.
 11. Use siempre empujadores, bloques empujadores y/o peines antirretroceso cuando haga cortes ranurados para reducir el riesgo de sufrir heridas graves.
 12. Cuando haya hecho el corte, apague la sierra. Espere que el disco se haya detenido completamente antes de retirar la pieza.
- Si tiene que hacer un corte de dado profundo, use varias pasadas en vez de intentar hacerlo de golpe.

CORTE DE DADO

Los discos de dado son discos apilados que pueden usarse cuando haga cortes ranurados. Los discos para dado requieren una placa de inserto especial. Los discos y placas de inserto se venden por separado.

⚠ ADVERTENCIA

- Siga las instrucciones que acompañan al disco de dados cuidadosamente para su correcta instalación, preparación y uso. Pueden encontrarse guías adicionales en sitios web y publicaciones de carpintería y trabajos en madera.
- No intente apilar hojas dado de grosor superior a 13/16 de pulgada (20.64 mm). No use discos para dados de diámetro superior a 8 pulgadas (200 mm).
- Los conjuntos de la cuchilla de separación y protección del disco no pueden usarse cuando hace cortes de dado. Deben ser retiradas tal y como se describe en la sección dedicada a la cuchilla de separación y protección del disco. **EXTREME** sus precauciones cuando use el disco de dados con ausencia de protecciones.
- Use empujadores, mordazas, plantillas, accesorios o peines antirretroceso para ayudarse a guiar y controlar la pieza cuando no pueda usar las protecciones.
- Asegúrese de reinstalar la cuchilla separadora, trinquetes antirretroceso y la placa inserto convencional, y comprobar todos los ajustes, una vez haya terminado con los cortes de dado.

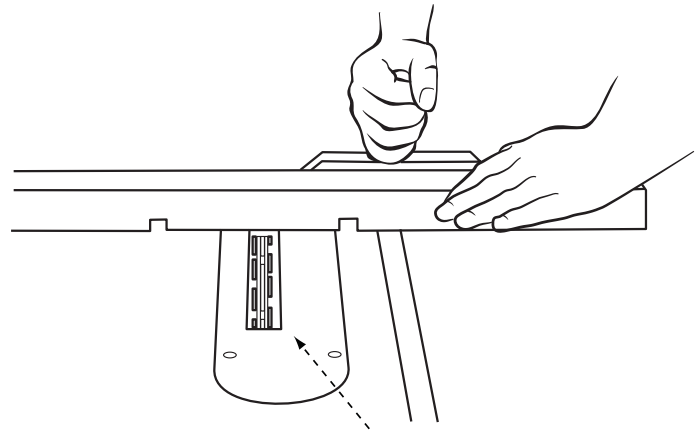


FIGURA 18

- Debe usarse una placa inserto para corte de dados como la mostrada en la figura 18, en lugar de la habitual. Asegúrese de enrasar la placa inserto con la mesa antes de proceder.
- Compruebe siempre que haya suficiente espacio entre el disco para dados y los otros componentes antes de conectar la sierra.
- Nunca intente usar el disco de dados en una posición biselada.

NOTA: la brida exterior estándar del eje no puede usarse en combinación con ciertos discos para dados. En tales casos, apriete la tuerca del eje directamente contra el disco para dados. Guarde la brida exterior del eje para usar con el resto de discos.

AYUDAS AL CORTE Y ACCESORIOS

EMPUJADORES

Para poder usar su sierra de mesa de forma segura, debe usar un empujador siempre que el tamaño o forma de la pieza le obligase a poner sus manos a menos de 6 pulgadas (152mm) del disco u otra parte cortante. Con esta sierra se incluye un empujador.

No se requiere ningún tipo de madera especial para hacer empujadores adicionales, mientras éstos sean suficientemente largos y la madera esté libre de nudos, estorbos y grietas. Se recomienda una longitud de 16 pulgadas (400 mm), con una muesca que encaje con el canto de la pieza de trabajo, para prevenir deslices. Es recomendable tener varios empujadores de la misma longitud mínima, 16 pulgadas (400mm), con muescas de diferente tamaño para diferentes grosores de pieza.

La forma puede variar para adaptarse a sus necesidades, mientras le sirva para mantener sus manos lejos de la hoja de la sierra. Dar un ángulo a la sierra para que el empujador pueda estar a un ángulo de 20-30° con respecto a la mesa de la sierra le ayudará a mantener la pieza contra la mesa mientras la mueve a través de la sierra. Consulte el diagrama de la sección de ayudas al corte en la página 24 de este manual.

Para hacer un empujador, consulte el diagrama de la Figura 19.

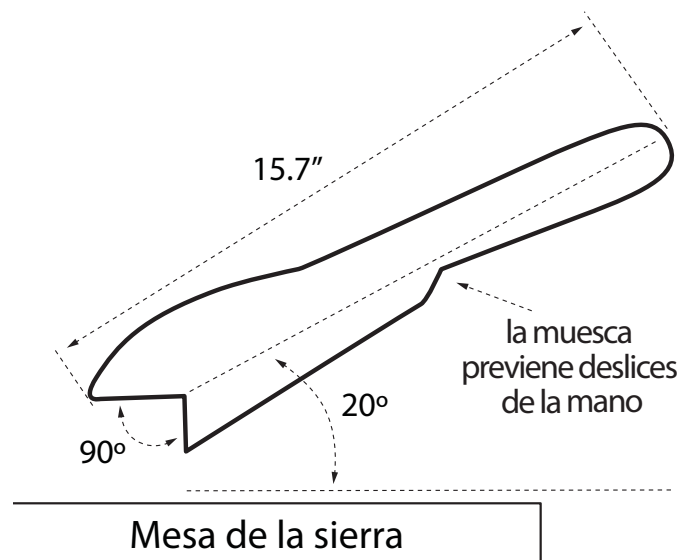


FIGURA 19

PLACA AUXILIAR PARA LA REGLA DE INGLETES

Para incrementar la superficie de la placa de la regla de ingletes se usa una placa auxiliar.

Si usted lo desea, puede equipar a la regla de ingletes con una placa auxiliar de madera que sea al menos 1 pulgada (25mm) más alta que la profundidad de corte máxima, y al menos tan ancha como la regla de ingletes.

Esta placa de madera auxiliar puede sujetarse a la parte frontal de la regla de ingletes usando (2) tornillos de cabeza plana M6 1/4 x 20 y tuercas, colocando dichas tuercas en las ranuras que hay en la placa de la regla de ingletes.

Vea Figura 20.

Asegúrese que los tornillos son suficientemente largos como para asegurar la placa, y que la cabeza del tornillo queda enrasada con la superficie del tablero.

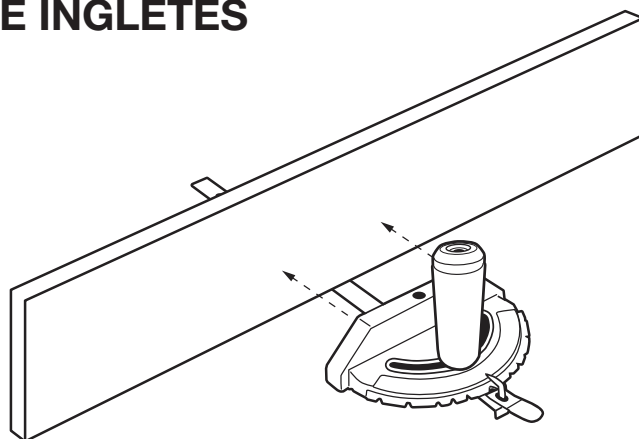


FIGURA 20

BLOQUES EMPUJADORES

1. Seleccione una pieza de madera de aproximadamente 4 pulgadas de ancho, 6 de longitud, y de 1 a 2 pulgadas de grosor (un recorte de un tablón de 2x4 hace una buena base para ello).
2. Taladre un orificio en el bloque y encole una espiga que le sirva como pomo (puede dar un cierto ángulo al orificio para que le sea más cómodo sujetar el pomo).
3. Encole una pieza de material antideslizante como papel de lija o goma a la parte inferior del bloque para que se agarre a la pieza (las viejas alfombrillas para el ratón funcionan bien).

Vea Figura 21.

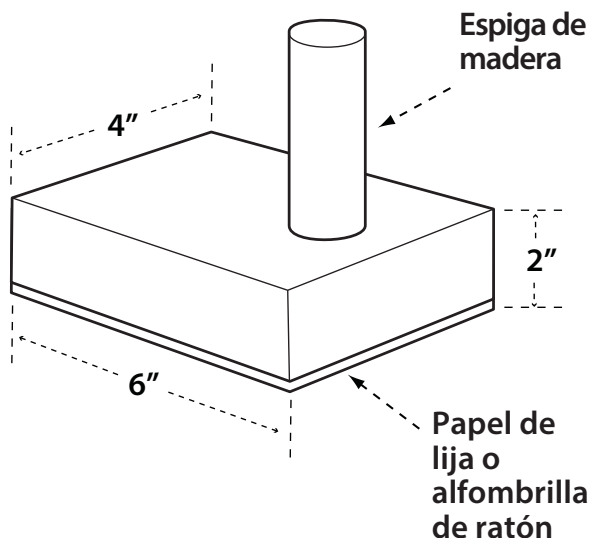


FIGURA 21

PEINE ANTIRRETROCESO

Los peines antirretroceso se usan para mantener la pieza en contacto con la guía y la mesa (Figura 22), y ayudan a prevenir los culatazos. Los peines son especialmente útiles cuando corta al hilo piezas pequeñas y para cortes ranurados. El extremo está en ángulo con una serie de cortes finos para hacer fricción con la pieza, y se fija en su sitio en la mesa o guía con un tornillo de banco o sargento.

⚠ ADVERTENCIA Para evitar que la pieza quede atrapada en el disco, asegúrese que los peines horizontales presionan sólo en la parte no cortada de la pieza, antes del disco.

En la Figura 35 se muestran las dimensiones para hacer un peine antirretroceso típico. Haga su propio peine en una pieza recta de madera sin nudos ni grietas. Amárrelo a la mesa y/o guía de forma que sostenga la pieza contra la guía o mesa.

1. Seleccione una pieza sólida de madera de aproximadamente 3/4 de pulgada de grosor, 2 1/2 pulgadas de ancho y 12 de longitud.
2. Marque la anchura central en un extremo de la madera. Ponga la regla de ingletes a 70° (vea la sección de cortes a inglete para más información).
3. Fije la guía de corte para permitir que se corte aproximadamente un "dedo" de 1/4 de pulgada en la madera.
4. Haga un corte de sólo 6 pulgadas de profundidad, hasta la marca hecha anteriormente.
5. Apague la sierra y deje que el disco se detenga completamente antes de retirar la madera.
6. Devuelva la guía a su posición y haga cortes espaciados para conseguir "dedos" de 1/4 de pulgada y espacios de 1/8 de pulgada entre ellos.

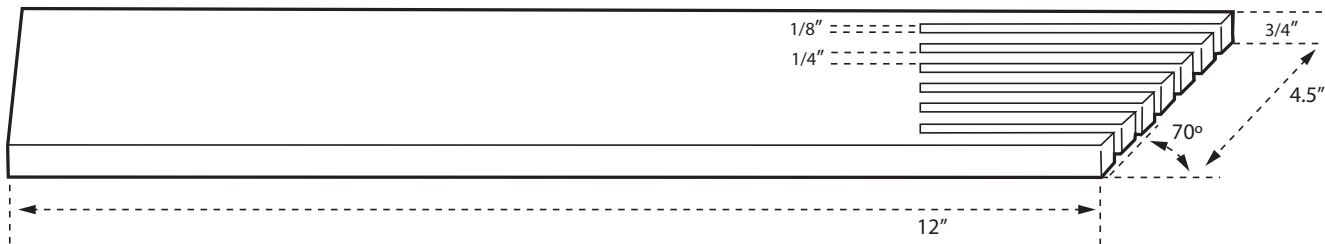


FIGURA 22

GUÍA DE DESCARTE

Cuando haga cortes cruzados de un cierto número de piezas a la misma medida, puede amarrar un bloque de madera (A) a la guía de corte como se muestra en la Figura 23, y usarla como guía para el trozo de madera a descartar y que éste no quede atrapado entre el disco y la guía. Una vez haya elegido la longitud del descarte, fije la guía y use la regla de ingletes para empujar la pieza contra el disco.

⚠ ADVERTENCIA Siempre coloque la guía de descarte antes del disco de corte.

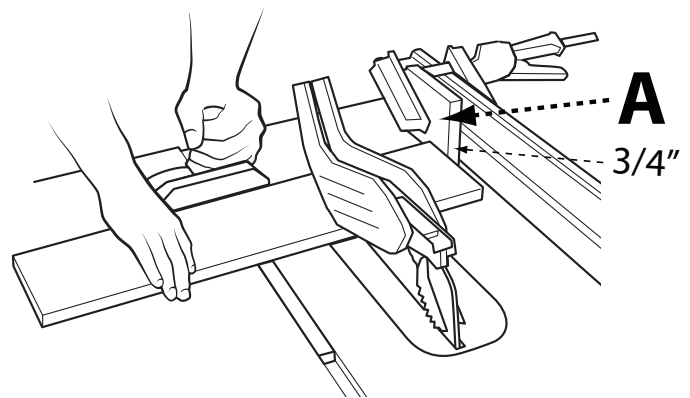


FIGURA 23

PLANTILLAS

Pueden crearse plantillas con una amplia variedad de configuraciones para controlar formas específicas de pieza en cortes particulares. Puede hallar información sobre cómo hacer plantillas especializadas en sitios web o publicaciones de carpintería y trabajo de la madera.

⚠ ADVERTENCIA No intente crear o usar una plantilla a menos que esté completamente familiarizado con los procedimientos de seguridad de la sierra de mesa. No use ninguna plantilla que haga que la pieza quede atrapada o encajada entre la plantilla y el disco. Configuraciones incorrectas pueden causar culatazos que podrían herirle seriamente.

NIVELAR LA PLACA DE INSERTO

Los lados frontal, trasero, y laterales de la placa de inserto deben estar enrasados con la superficie de la mesa.

Hay cuatro tornillos (A) prerroscados a la mesa que se usan para nivelar la placa de inserto.

Si la placa de inserto no está completamente enrasada con la superficie de la mesa, ajuste estos tornillos para asegurarse de ello. Puede accederse a ellos y ajustarlos sin necesidad de retirar la placa de inserto. No intente fijar la placa de inserto usando estos tornillos.

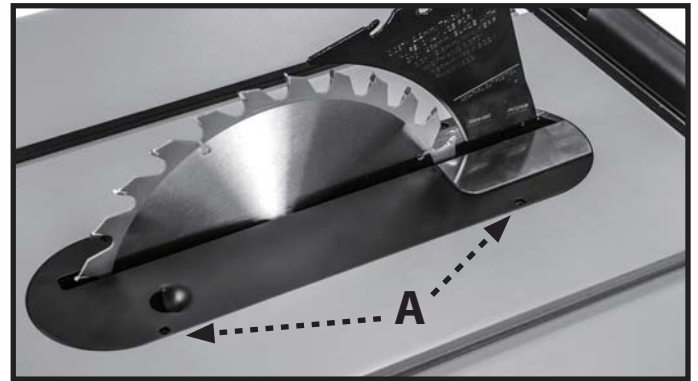


FIGURA 24

CUADRAR EL DISCO CON LA MESA

Coloque una escuadra (B) en la superficie de la mesa y contra el disco y la cuchilla de separación. La escuadra debería estar en contacto con la cara del disco y con la cuchilla.

Si no están completamente cuadrados, ajuste la parada de 0 grados como se muestra más adelante en "ajustar las paradas de bisel".

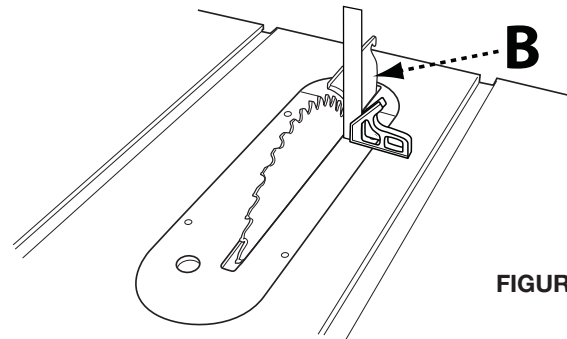


FIGURA 25

AJUSTAR LAS PARADAS DE BISEL

Si la hoja no está completamente perpendicular con respecto a la mesa, debe ajustar la parada positiva de 0° (A) que se halla situada en el interior del extremo izquierdo de la ranura de bisel tal y como se muestra en la figura 26.

Libere la palanca de ajuste de ángulo de bisel/altura y coloque el volante de ajuste completamente a la izquierda para ganar fácil acceso a la parada positiva de 0°. Entonces fije la palanca de ajuste.

Gire el tornillo de parada positiva de 0°.

Libere la palanca de ajuste, devuelva el disco a la posición de 0°, asegurándose que hace contacto con la parada positiva, y fije el volante en su sitio.

Vuelva a comprobar la posición del disco con respecto a la mesa usando una escuadra. (Vea "cuadrar el disco con la mesa" un poco más arriba).

Siga repitiendo los pasos anteriores hasta que el disco esté perpendicular a la mesa.

Puede usar este mismo procedimiento para comprobar la parada positiva de 45° (B), situada en el interior del extremo derecho de la ranura de bisel, tal y como muestra la Figura 27.



FIGURA 26



FIGURA 27

AJUSTAR LA ALTURA DEL DISCO

Para todos los cortes completos, la parte superior de los dientes del disco debe quedar por encima de la pieza, y la parte inferior de la garganta por debajo de la superficie de la pieza.

Para los cortes ranurados, la parte superior de los dientes debe estar a la profundidad del corte.

Para ajustar la altura del disco, vea la Figura 28 y haga lo siguiente:

Asegúrese que la palanca de ajuste de bisel/altura (A) está en la posición de bloqueo (hacia abajo).

Ajuste la altura del disco girando el volante de ajuste de bisel/altura (B). En sentido horario subirá el disco, y en sentido antihorario lo bajará.

CAMBIAR EL BISEL

Desbloquee la palanca de ajuste de altura/bisel (A) tirando de ella a la posición superior.

Sosteniendo el volante/pomo, deslice el indicador de bisel al ángulo deseado.

Cuando el disco esté en el ángulo deseado, bloquee la palanca de ajuste de altura/bisel poniéndola en su posición inferior.

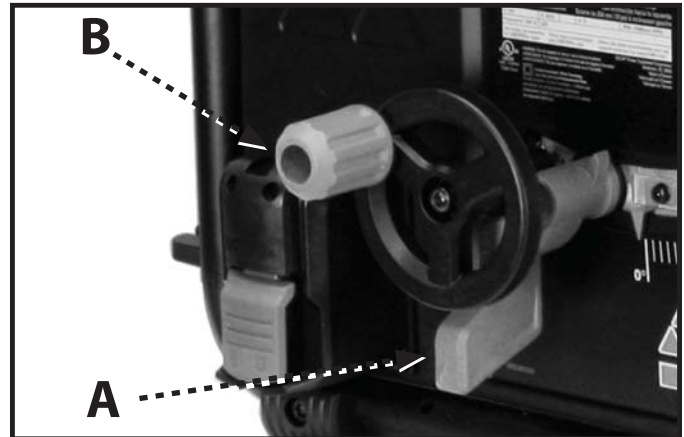


FIGURA 28

USAR LA ESCALA DE INGLETES

Hay dos ranuras para la regla de ingletes (A), una a cada lado del disco de corte. Cuando haga un corte de 90°, úselas indistintamente. Para cortes cruzados biselados, use la ranura de la derecha para que la hoja esté inclinada en dirección contraria a la regla y sus manos.

Afloje el pomo de fijación de la regla de ingletes (B). Seleccione el ángulo deseado en la regla haciéndola girar. Vuelva a apretar el pomo.

Vea Figura 29.



FIGURA 29

USAR LA EXTENSIÓN DE MESA

El soporte de salida se desliza para poder proporcionar soporte adicional al cortar piezas largas.

Asegúrese que el conmutador está en la posición OFF. Desde la parte trasera de la sierra, agarre el soporte de salida (A) con ambas manos y tire de él hasta que esté completamente desplegado.

Vea Figura 30.



FIGURA 30

BAJAR LA CUCHILLA SEPARADORA

Retirar la placa de inserto.

Subir el disco girando el volante de ajuste en sentido horario.

Vea la Figura 31.

Afloje el pomo de fijación de la cuchilla de separación (A) y pulse el resorte para liberar la cuchilla de separación.

Empuje la cuchilla de separación (B) hacia abajo hasta que quede debajo del disco. La cuchilla tiene una línea de corte completo marcada claramente.

Vuelva a apretar el pomo de fijación de la cuchilla de separación.

Vuelva a colocar la placa de inserto

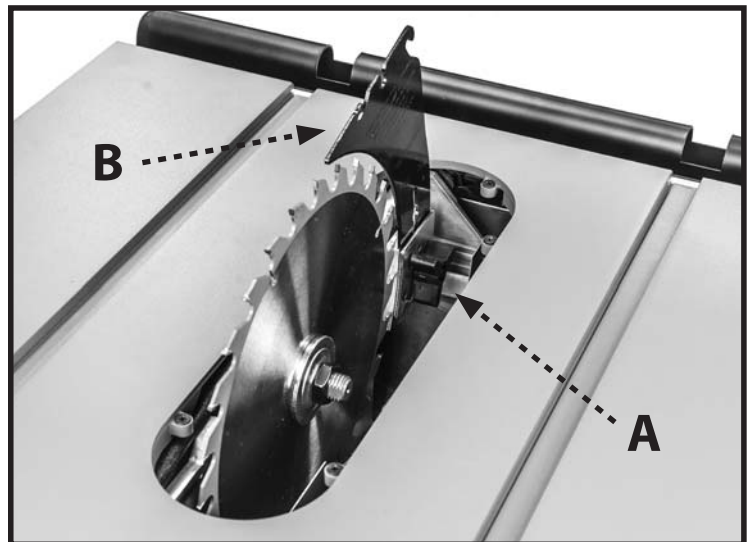


FIGURA 31

USAR LA EXTENSIÓN DE MESA LATERAL DERECHA

La extensión de mesa (A), situada en el lateral derecho de la mesa, le permite incrementar la anchura de la mesa de la sierra para acomodar piezas de grandes dimensiones.

Para usar la extensión de la mesa, consulte la Figura 32 y haga lo siguiente:

Libere la palanca de cierre de la extensión de mesa (B) moviéndolo a la derecha. Deslice la extensión lateral de la mesa (A) hacia la derecha. Use el puntero azul en la regla superior para determinar la distancia deseada. Cuando la extensión de la mesa esté a la anchura deseada, vuelva a bloquear la palanca.

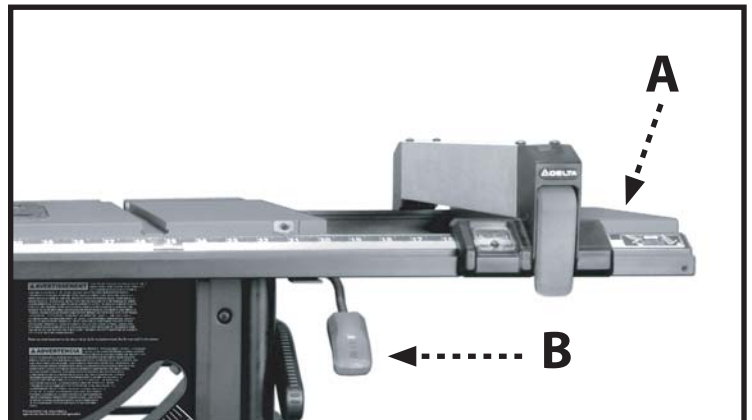


FIGURA 32

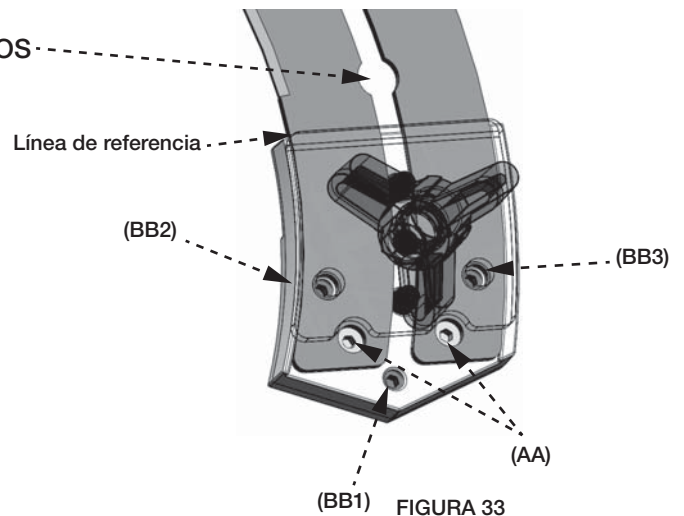
ALINEACIÓN DE LA CUCHILLA SEPARADORA

Punto de localización para la POSICIÓN DE CORTES ACANALADOS
(La cuchilla separadora está en esta posición para cortes que no atraviesan la pieza, y también al embalarse para transporte)

Punto de localización para CORTES COMPLETOS tal y como se muestra en la Figura 33

(El cliente debe ajustar la cuchilla a esta posición al realizar cortes completos).

(NOTA: Debe asegurarse que la cuchilla se encuentra en esta posición antes de hacer cualquier ajuste de alineamiento de la cuchilla con respecto al disco de la sierra).



Si se necesita un ajuste paralelo use la Figura 33 y la Figura 34 para hacer los siguientes ajustes:

1. Afloje los dos tornillos Allen (AA).
2. Apriete o afloje el tornillo de ajuste (BB1) para ajustar la guía de referencia de la cuchilla de forma que quede alineada con la sierra.
3. Use los tornillos de ajuste (BB2) y (BB3) para ayudar a que la cuchilla de separación sea paralela a la sierra.
4. Apriete los tornillos Allen (AA)

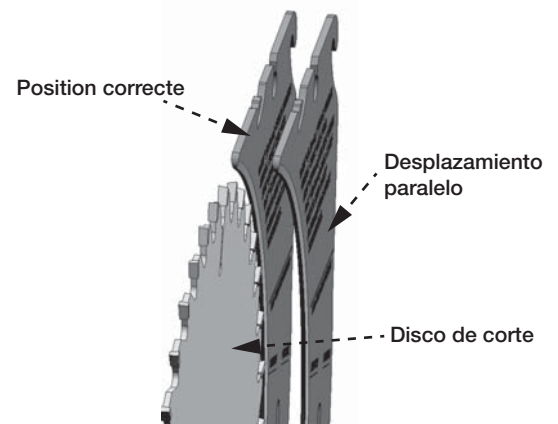


FIGURA 34

Si la cuchilla de separación tiene errores de alineamiento vertical, haga lo siguiente, usando la Figura 33 y la Figura 35:

1. Afloje los dos tornillos Allen (AA)
2. Use los tornillos de ajuste (BB2) y (BB3) para alinear la cuchilla de separación a la sierra. No se necesitan ajustes en (BB1).
3. Apriete los tornillos (AA).

Si la cuchilla de separación tiene errores de alineamiento horizontal, haga lo siguiente, usando la Figura 33 y la Figura 36:

1. Afloje los dos tornillos Allen (AA)
2. Use el tornillo de ajuste (BB2) para alinear la cuchilla de separación a la sierra, si aún no está alineada, ajuste (BB3) hasta alcanzar la alineación deseada. No ajuste (BB1).
3. Apriete los tornillos (AA).

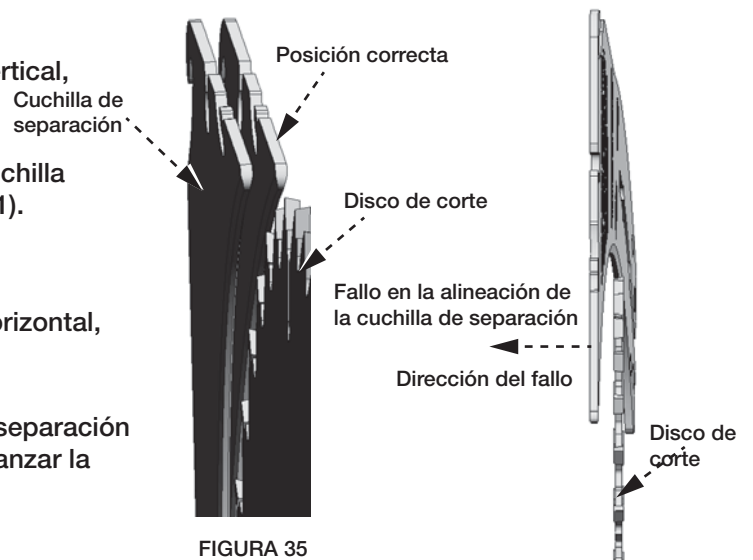


FIGURA 35

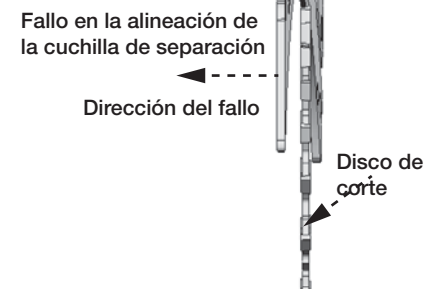


FIGURA 36

MANTENIMIENTO

Para minimizar el riesgo de heridas, apague la unidad y desconéctela de la red eléctrica antes de instalar o retirar accesorios, antes de ajustar la máquina o de hacer reparaciones. Un encendido accidental puede producirle heridas.

MANTENGA LIMPIA SU MÁQUINA

Limpie periódicamente todas los orificios de ventilación con aire comprimido seco. Todas las partes de plástico deben limpiarse con un trapo suave húmedo. NUNCA utilice disolventes para limpiar las partes de plástico, podrían fundir o dañar de algún otro modo el material.

Utilice siempre equipo de seguridad ocular, auditivo y respiratorio mientras use aire comprimido.

LUBRICACIÓN Y PROTECCIÓN CONTRA OXIDACIÓN

Aplique cera en pasta para suelos a la mesa de la máquina u otras superficies de trabajo semanalmente. O bien utilice un producto comercial diseñado para esta función. Siga las instrucciones del fabricante para su uso y seguridad.

RECORDATORIOS DE MANTENIMIENTO

Utilice siempre equipo de seguridad ocular, auditivo y respiratorio mientras use aire comprimido.

Áreas específicas que requieren mantenimiento regular incluyen:

MORDAZA DE LA CUCHILLA DE SEPARACIÓN: Mantenga esta área libre de polvo y suciedad. Utilice aire comprimido para limpiarla regularmente.

NOTA: si la cuchilla de separación no puede moverse libremente, lleve su sierra a un servicio de reparación oficial de DELTA® Power Equipment Corporation.

ENGRANAJES DE BISEL: Mantenga los engranajes libres de polvo y suciedad. Utilice aire comprimido para limpiarla regularmente. Utilice una grasa multiuso con base de litio tan a menudo como sea necesario para estos engranajes.

TORNILLOS SINFIN: Mantenga los tornillos sinfin libres de polvo y suciedad. Utilice aire comprimido para limpiarlos regularmente. Utilice una grasa multiuso con base de litio tan a menudo como sea necesario para estos tornillos.

LIMPIE EL SERRÍN QUE SE ACUMULA EN LA CARCASA PERIÓDICAMENTE. NOTA: La suciedad también puede retirarse desde debajo de la placa inserto, dentro del conducto para polvo.

SOLUCIÓN DE PROBLEMAS

Para solicitar ayuda con su máquina, visite nuestro web en www.DeltaMachinery.com para obtener una lista de los centros de servicio o llame a atención al cliente de DELTA® Power Equipment al 1-800-223-7278.

LA SIERRA NO ARRANCA

Si su máquina no arranca, compruebe que las clavijas de su enchufe hacen buen contacto en la toma de corriente. Compruebe también los fusibles o diferenciales en su línea de suministro.

ACCESORIOS

Hay una completa línea de accesorios disponible en su proveedor de productos DELTA®, centros de fabricación y mantenimiento DELTA®, y centros oficiales de mantenimiento DELTA®. Para un completo catálogo en línea o para encontrar el nombre de su proveedor más cercano, visite nuestro sitio web en www.DeltaMachinery.com.

⚠ ADVERTENCIA Ya que los accesorios no ofrecidos por DELTA® no se han probado con este producto, el uso de dichos accesorios podría resultar peligroso. Para poder trabajar con seguridad, utilice sólo accesorios recomendados por DELTA® con este producto.

GARANTÍA

Para registrar su herramienta para el servicio de garantía, visite nuestro sitio web en www.DeltaMachinery.com.

Garantía limitada de cinco años para nuevos productos

Delta reparará o sustituirá, según considere necesario, cualquier máquina, pieza o accesorio DELTA® que en uso normal haya resultado defectuosa en su fabricación o material, siempre que el cliente devuelva el producto a su cargo a un centro de mantenimiento DELTA o centro de servicio autorizado junto con la prueba de compra del producto dentro de un periodo de 5 años, y que deje a DELTA un tiempo razonable para llevar a cabo una inspección y determinar el origen del defecto.

Para todos los productos restaurados DELTA, el periodo de garantía es de 180 días.

DELTA no se hace responsable de cualquier daño causado por el desgaste normal, mal uso, abuso, o cualquier reparación o alteración hecha por cualquiera que no sea un Centro de Servicio Técnico Autorizado DELTA® o su representante.

Bajo ninguna circunstancia DELTA se hará responsable de los daños accidentales o indirectos causados por productos defectuosos. Algunos estados no permiten la exclusión o limitación de daños accidentales o indirectos, así que las limitaciones mencionadas podrían no aplicarse en su caso.

Esta garantía limitada es la única garantía que ofrece DELTA y establece el único recurso del cliente con respecto a productos defectuosos; cualquier otra garantía, expresa o implícita, ya sea de comerciabilidad, adecuación de uso o cualquier otra, son expresamente rechazadas por DELTA.

Para más detalles de la cobertura de la garantía y para información sobre las reparaciones en periodo de garantía, llame al 1-800-223-7278. Esta garantía le da derechos legales específicos y usted puede tener otros derechos sujetos a variación en ciertos estados o provincias.

LATINOAMÉRICA: Esta garantía no se aplica a productos vendidos en Latinoamérica. Para productos vendidos en Latinoamérica, vea la información de garantía específica que contiene la caja, llame a la compañía local o vea su página web para información sobre la garantía.



RECAMBIOS, MANTENIMIENTO Y ASISTENCIA EN GARANTÍA

Todas las máquinas y accesorios DELTA® se fabrican con estándares de alta calidad y se reparan en una red de Centros de Servicio Autorizados. Para obtener más información con respecto a su producto de calidad DELTA® o para obtener recambios, mantenimiento, asistencia en garantía, o la localización del centro de servicio más cercano, llame por favor al 1-800-223-7278.

RECAMBIOS

Utilice sólo recambios idénticos a las piezas originales. Para una lista de piezas o para pedir piezas, visite nuestro sitio web www.DeltaMachinery.com. También puede encargar las piezas a su Centro Autorizado de Servicio en Garantía o llamando al Responsable de Servicio Técnico al 1-800-223-7278 para recibir soporte personalizado de uno de nuestros especialistas.

sustitución gratuita de etiquetas

Si sus etiquetas de aviso se vuelven ilegibles o se pierden, llame al 1-800-223-7278 para recibir otras de forma gratuita.



POWER EQUIPMENT CORPORATION

99 Roush St.
Anderson, SC 29625
1-800-223-7278
www.DeltaMachinery.com

Copyright © 2015 DELTA® Power Equipment Corporation DPEC003653

Revised: 11-23-2015

