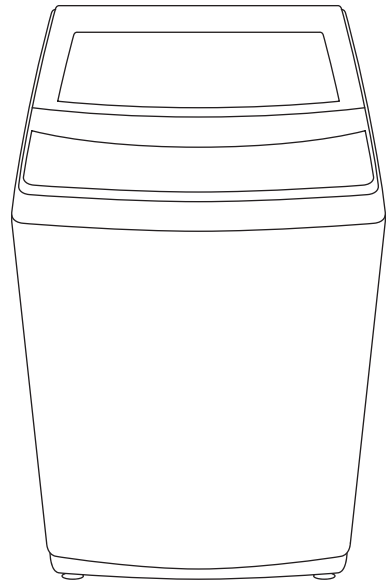




Magic Chef[®]

1.6/2.0/3.0 Cu. Ft. Portable Washer

User's Manual



Model MCSTCW16W4 / MCSTCW16S4 / MCSTCW20W4 / MCSTCW20S4 / MCSTCW30W4

**PLEASE READ THIS MANUAL CAREFULLY BEFORE USING YOUR WASHER
AND KEEP IT FOR FUTURE REFERENCE.**



PRODUCT REGISTRATION

Thank you for purchasing this Magic Chef® product. The first step to protect your new product is to complete the product registration on our website: www.mcappliance.com/register. The benefits of registering your product include the following:

1. Registering your product will allow us to contact you regarding a safety notification or product update.
2. Registering your product will allow for more efficient warranty service processing when warranty service is required.
3. Registering your product could act as your proof of purchase in the event of insurance loss.

Once again, thank you for purchasing this Magic Chef product.

CONTENTS

PRODUCT REGISTRATION	2
IMPORTANT SAFETY INSTRUCTIONS	4
SPECIFICATIONS	6
PARTS AND FEATURES	7
INSTALLATION INSTRUCTIONS	8
OPERATING INSTRUCTIONS	11
WASH CYCLE GUIDE	14
CARE AND MAINTENANCE	16
TROUBLESHOOTING	17
LIMITED WARRANTY	21

IMPORTANT SAFETY INSTRUCTIONS

This manual contains Safety Instructions, Installation and Operating Instructions, and Troubleshooting Tips. Please carefully read this manual before using your washing machine for instructions on how to use and maintain the product properly. Be sure to follow the safety instructions to avoid injury or damage to the product.

Keep this manual. When passing on/selling the device to a third party, the manual must be handed over along with the device.

Before calling for service, please make sure unit is installed and being used correctly, and read the troubleshooting section.

▲ WARNING: When using your appliance, follow the precautions listed below:

▲ NOTE: Specifications may change at any time without notice.

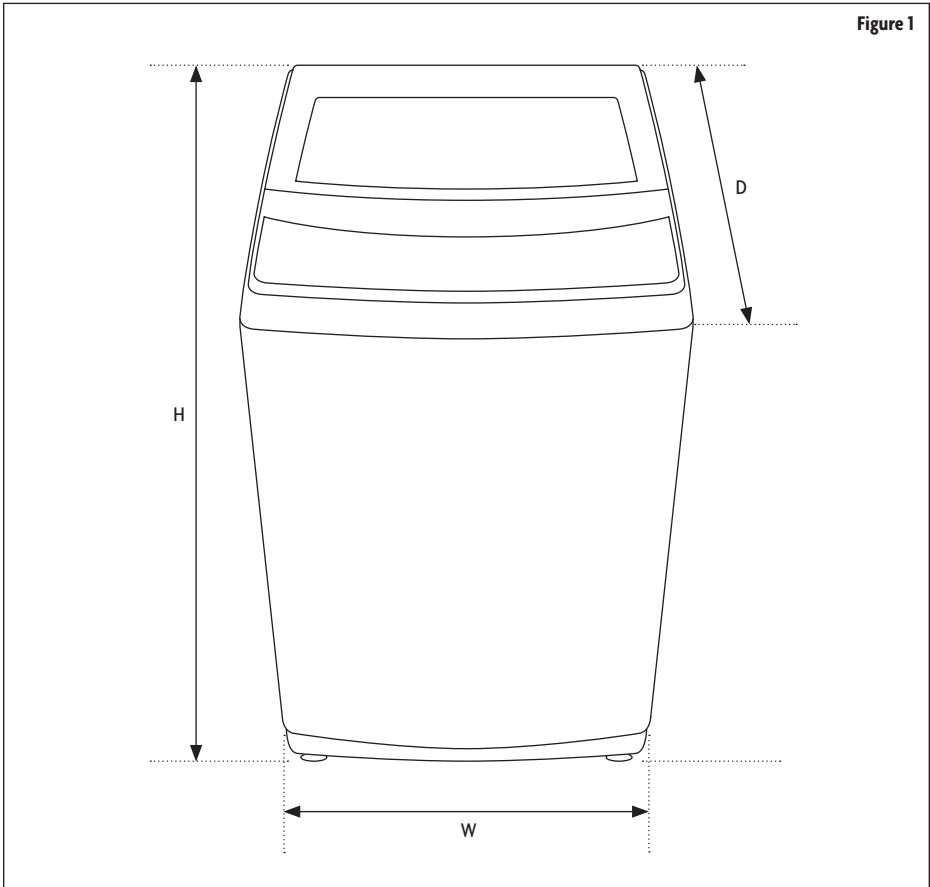
1. Read all instructions before using this product.
2. This appliance is for household use only. It is not intended for commercial applications. DO NOT use this appliance for other than its intended purpose.
3. The appliance is intended for indoor use only. DO NOT use outdoors.
4. DO NOT put anything flammable or explosive in, on, or near the appliance, or install the appliance near a heater or inflammable material. DO NOT wash articles of clothing or items that have been soaked in flammable or explosive chemicals. Keep area around the washer free of combustible materials.
5. **▲ WARNING:** Risk of child entrapment. DO NOT allow children to play on or in the appliance. Close supervision of children is necessary when the appliance is used around them. Before the appliance is removed from service or discarded, remove the lid of the washing or drying compartment.
6. DO NOT put children on top of, or allow children to climb in or on, the washer.
7. ALWAYS wait for the washer tub to completely stop moving before reaching in to add or remove any clothes.
8. DO NOT install or store this appliance where it will be exposed to the weather or freezing temperatures.
9. DO NOT tamper with or modify the controls.
10. DO NOT modify or repair the unit by yourself. Contact customer service or a qualified service technician if service is required.
11. Under certain conditions, hydrogen gas may be produced in a household hot water system that has not been used for two weeks or more. Hydrogen gas is highly explosive. If the hot water system has not been used for more than two weeks, turn on all hot water faucets and let the water flow for several minutes prior to using your compact washer.
12. This washer is not designed for maritime use or for mobile installations such as in RVs, aircraft, etc.
13. Turn off the water supply and unplug the washer if the machine is to be left for an extended period of time, such as during vacations. It is recommended to unplug the unit when it is not in use.
14. Packaging material can be dangerous for children. There is a risk of suffocation! Keep all packaging materials away from children.
15. ALWAYS check the inside of the washer for foreign objects before loading laundry. Keep the lid closed when not in use.
16. The appliance must be plugged into a properly installed and grounded outlet that meets the voltage requirements listed on the ratings label.

17. To reduce the risk of electric shock or fire, DO NOT use an extension cord or outlet adapters to connect the unit to an electrical power source. The appliance must be properly grounded using a three-prong electric receptacle wall outlet.
18. This appliance must be properly installed in accordance with the installation instructions before it is to be used. It is recommended to have the appliance installed by a qualified technician or service company.
19. Regularly clean the power plug to remove dust and dirt, in order to prevent electrical failure.
20. **▲ CAUTION:** The power cord is equipped with a 3-prong grounding plug to protect against shock hazards. ALWAYS plug the cord into a properly installed and grounded 3-prong wall receptacle, and DO NOT remove the grounding prong.
21. DO NOT operate any appliance that has a damaged cord or plug, if it is damaged or malfunctions in any way, or if the outlet is not in proper working order. Contact customer service or a service technician.
22. DO NOT unplug your appliance by pulling on its power cord. ALWAYS grasp the plug firmly and pull it straight out from the outlet. DO NOT bend, tie, or twist the power cord, or hang it over or near a sharp object.
23. DO NOT operate the washer by unplugging or plugging in the washer while it is in operation.
24. DO NOT install the washing machine in a humid, oily, or dusty location, or where it can get wet. DO NOT install in direct sunlight or where it will be exposed to the outside elements
25. It is recommended to have two or more people move and install the washer.
26. If the appliance is flooded, cut the power immediately and contact your nearest service center.
27. If the appliance emits a strange noise, a burning smell, or smoke, unplug the power plug immediately and contact your nearest service center.
28. DO NOT force the washer lid open while the washer is operating. The loading door must be closed when the tub is spinning.
29. DO NOT reach into the washer while the tub is spinning. Stop or Pause the unit and allow the tub to stop completely.
30. DO NOT insert your hand or other objects under the washer.
31. DO NOT operate the unit or handle the plug with wet hands.
32. Use only detergents or softeners recommended for use in this manual and keep all cleaning products out of the reach of children.
33. ALWAYS turn off and unplug from outlet before servicing, changing accessories or cleaning the unit. Allow unit to cool down completely before cleaning, moving or servicing. Turning the unit off does not disconnect it from the power source.
34. DO NOT operate this washer unless all enclosure panels are properly installed.
35. ALWAYS be sure to properly and securely connect the power cord to the outlet, and the water hoses to prevent leakage or electrical shock.
36. DO NOT wash raincoats, heavy jackets, throw rugs, or similar, heavy items.

**READ AND FOLLOW THIS
SAFETY INFORMATION CAREFULLY
SAVE THESE INSTRUCTIONS**

SPECIFICATIONS

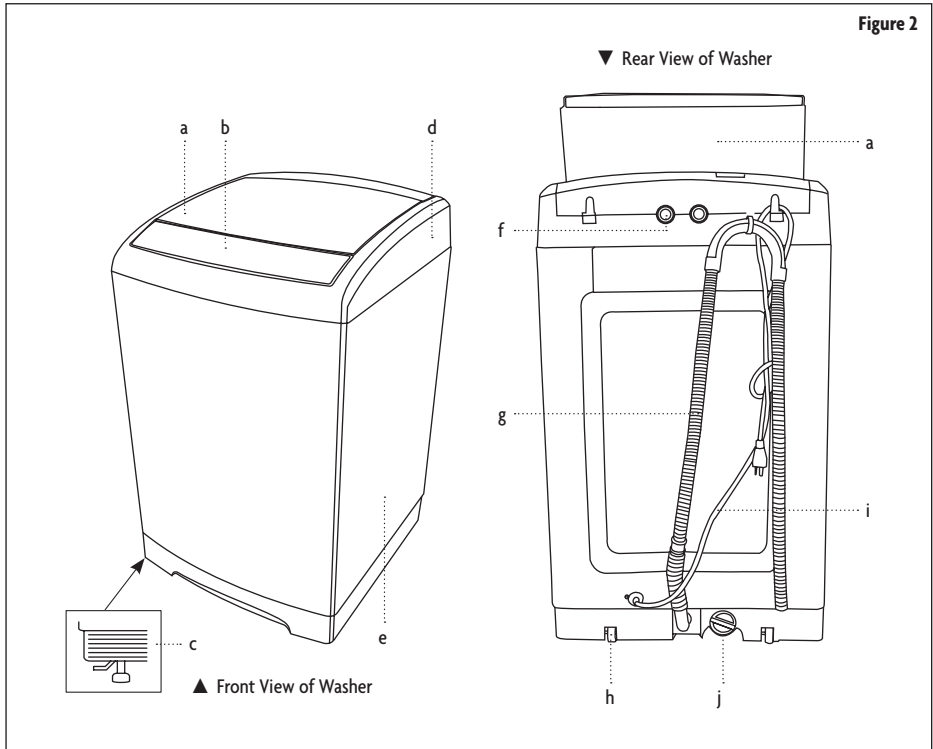
Figure 1



Model	MCSTCW16W4 / MCSTCW16S4	MCSTCW20W4 / MCSTCW20S4	MCSTCW30W4
Capacity	1.6 cu. ft.	2.0 cu. ft.	3.0 cu. ft.
Dimensions (W x D x H)	20.3" x 20.7" x 36.6"	21.7" x 22.2" x 37.0"	23.7" x 24.8" x 39.4"
Weight	77.8 lbs. (35.0 kg)	83.5 lbs. (38.0 kg)	99.2 lbs. (45.0 kg)
Power Supply	120V / 60Hz	120V / 60Hz	120V / 60Hz
Rated Current	6.0 A	6.5 A	7.0 A

PARTS AND FEATURES

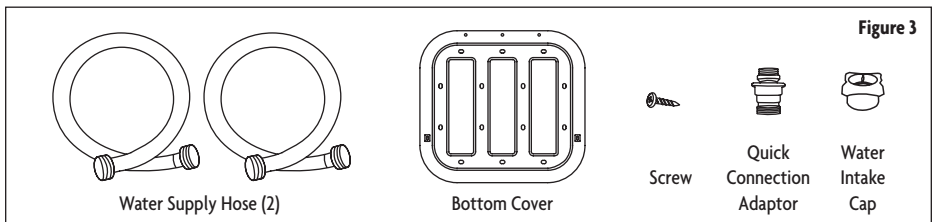
PRODUCT PARTS



- | | | | |
|--------------------|----------------|----------------|----------------|
| a. Top Lid | d. Frame | g. Drain Hose* | j. Pump Filter |
| b. Control Panel | e. Cabinet | h. Roller | |
| c. Adjustable Leg* | f. Water Inlet | i. Power Cord | |

*▲ **NOTE:** The 1.6 cu. ft. models (MCSTCW16W4 and MCSTCW16S4) have ONE adjustable leveling foot, and the drain hose is located on the side of the washer. The 2.0 c. ft. models (MCSTCW20W4 and MCSTCW20S4) have TWO adjustable leveling feet, and the drain hose is located on the back of the washer.

ACCESSORIES



INSTALLATION INSTRUCTIONS

REMOVING PACKAGING AND SET UP

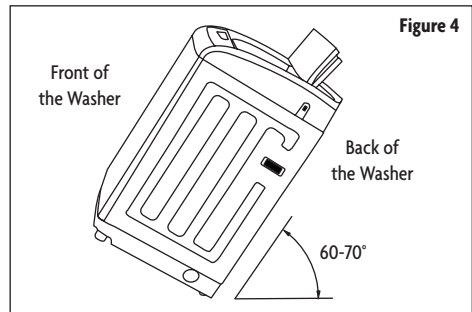
- Remove packing box, foam, and bottom cardboard piece.
- Open the washer door and remove all the accessories in the drum.
- DO NOT use the washer on the foam packaging base.
- Carefully lay the machine down.
- Slide the noise proof plate into place over the opening in the bottom and attach with the mounting screw.
- The washer should be installed on a stable surface close enough to the water supply, drain, and electrical outlet to ensure that the hoses and power cord reach.

▲ WARNING: Improper connection of the power cord can result in a risk of electric shock. Check with a qualified electrician or serviceman if you are in doubt as to whether the appliance is properly grounded. DO NOT modify the provided plug with the appliance – even if it will not fit into the outlet. Have a qualified technician install the proper wall outlet for you.

INSTALLING THE WASHER

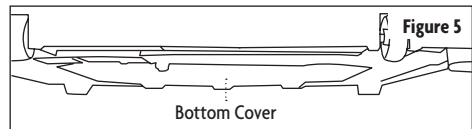
LOCATION

Move the empty washer by carefully tipping it back about 60°-70° degrees until the casters on the rear of the unit are able to roll on the floor. Do not try to move the washer when it has clothes or water in it, and have someone assist you if needed. Do not install on carpet. Install washer on a level and solid floor that can support its weight. Store and install the washer where it will not be exposed to temperatures below freezing or exposed to outdoor weather conditions. Position the appliance so that the power plug, water inlets, and drain are easily accessible.



INSTALL THE BOTTOM COVER

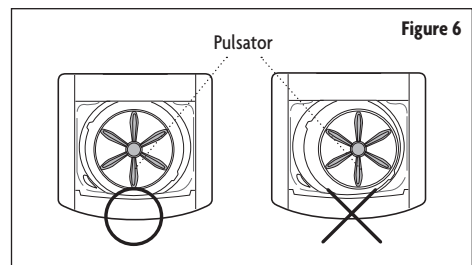
Slide the bottom cover into the slots on bottom surface of the unit as in the following Figure 5, and fix it with the screw attached with the unit.



LEVEL THE WASHER

The washer must be leveled prior to using. You can check if the washer is level by checking the position of the tub or using a bubble level.

1. Slide the washer into position.
2. Open the lid of the washer, and pour the water into the tub to just below the pulsator level.



- If the washer is level, the pulsator is positioned at the center of the washer as shown in the Figure 7. If not, level your washer by turning the front leveling foot/feet clockwise or counterclockwise as necessary.

▲ NOTE: There is only one adjustable leg on the 1.6 cu. ft. (MCSTCW16W4 and MCSTCW16S4) washers. The 2.0 cu. ft. models (MCSTCW20W4 and MCSTCW20S4) have two adjustable legs.

CONNECT THE WATER HOSE

▲ NOTE: To correctly fill your washer in the proper amount of time, water pressure of 14-70 p.s.i. (100-500 kPa) is required and the faucet must be within 4 feet of the water inlets on the back of the washer.

- The Quick Connection Adaptor is primarily for quick connection to a single faucet, such as a typical kitchen sink, in cases where the washer is stored in a different place than where it is used. Skip this step if you are connecting the washer to a sink with separate hot and cold faucets. The adaptor consists of two parts that quickly connect or disconnect. One part, the faucet fitting, is for connection to the faucet and the other part, the hose fitting, connects to the cold water hose of the washer.

- Pull back on the white ring to free the faucet fitting from the adaptor for installation into the faucet.
- Screw the end of the cold water hose onto the base of the hose fitting.
- If the faucet has internal screw threads, unscrew the aerator if present from the tip of the faucet. Then screw the faucet fitting into the faucet. Make sure that the black rubber gasket is on the top of the adaptor before screwing it in.
- If the faucet has external screw threads, remove the gasket from the top of the faucet fitting, and screw the fitting over the external threads.
- Pull back on the white ring to connect the two parts of the adaptor back together.

▲ NOTE: When connected to a single faucet that can dispense either hot or cold water, both hot and cold water can be run through the cold water line for washing use. However, it is recommended to only run cold water washes when the adaptor is connected to such a faucet.

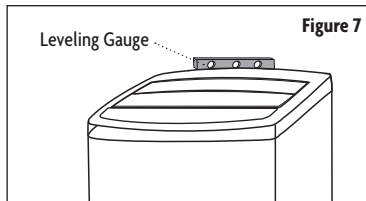


Figure 7

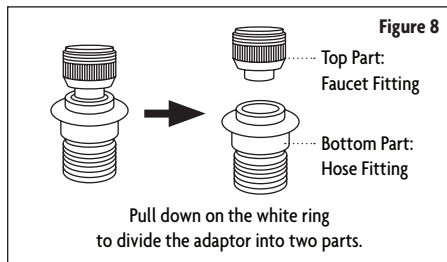


Figure 8

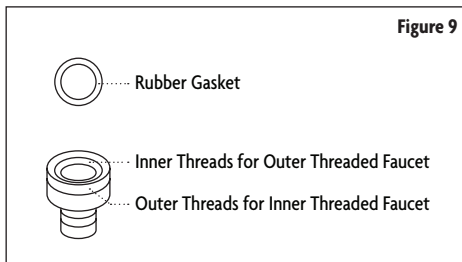


Figure 9

- Connect the ends of the water supply hoses to the HOT and COLD faucets. For convenience, use the Quick Connection Adaptor for connection to the cold water faucet.
- Tighten the fittings by hand until they are snug, and then tighten them an additional two-thirds of a turn with a wrench.

▲ WARNING: When you fasten the fittings, DO NOT over-tighten or apply tape or sealant to the faucets or water supply intakes. This can damage the fittings. After you have connected the water supply hoses to the faucets, ensure that they are connected securely before turning on the water.

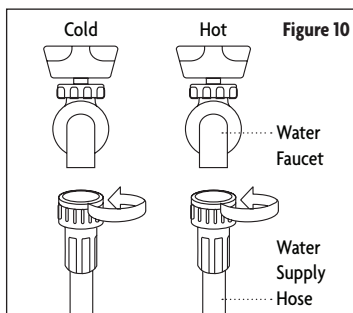


Figure 10

- Run water through the hoses for 10-15 seconds, allowing it to drain into a bucket or sink to remove any foreign substances from the lines, then turn off the water.
- Connect the ends of the water supply hoses to the water supply intake connections at the back of the washer.

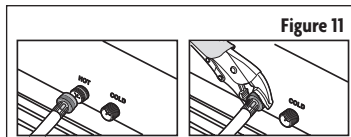


Figure 11

▲ NOTE: The water supply hose connected to the HOT faucet must be connected to the hot water supply intake and the water hose connected to the COLD faucet must be connected to the cold water supply intake.

- Tighten the fittings by hand until they are snug, and then tighten them an additional two-thirds of a turn with a wrench. Turn on the water and check for any leaks.

▲ WARNING: Confirm that the water supply hoses are not twisted or bent. If the hoses are twisted or bent, the hoses can leak and cause electric shock due to the water leakage. To ensure the correct water usage, connect both the HOT and COLD water faucets. If either or both are not connected, an error code can occur. If you do not want to use the HOT water supply hose or can only connect to one faucet, install the water intake cap into the HOT water supply intake hole. In this case, you must select Cold water as the wash temperature choice.

CONNECT THE DRAIN HOSE

Position the other end of the drain hose. It can be positioned in three ways. The recommended height of the drain hose is 35" (90cm), and should be no higher than 39". The washer should be located within 5' of the drain.

- Over the edge of a sink: Secure the guide to the side of the basin wall with a hook or to the tap with a piece of string or zip tie to prevent the drain hose from moving.
- In a standpipe: The standpipe must be no shorter than 32 in. (81cm) and no longer than 39 in. (100cm). The diameter of the drain pipe must be large enough to easily accept the drain hose.
- In a laundry tub: The laundry tub must be no shorter than 32 in. (81cm) and no higher than 39 in. (100cm).

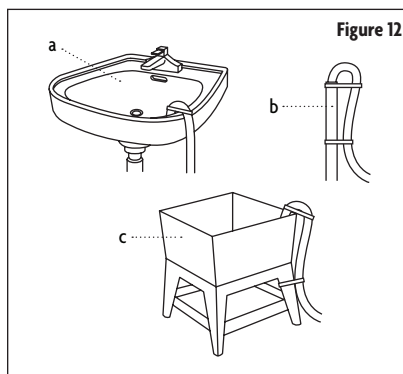


Figure 12

▲ NOTE: The connection between the drain hose and sink, pipe, or tub should not be airtight.

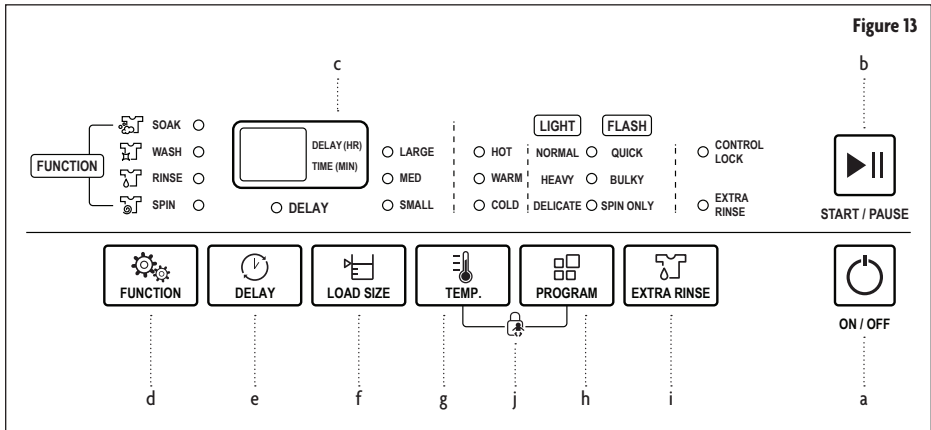
RUN A TEST CYCLE

- Plug in the washer.
- Load about 5 lbs. of laundry.
- Press the "Power" button to turn on the washer.
- Select the "Rinse & Spin" cycle by pressing the "Function" button to turn on the indicator lights for "Rinse" and "Spin", and then press the "Start/Pause" button.
- The washer should not rock or vibrate excessively when water is supplied or when washing or spinning, and should drain well during the spin cycle.

▲ NOTE: If water leaks while water is being supplied or drained, check the water connections. If the washer rocks and vibrates excessively, level your washer again.

OPERATION INSTRUCTIONS

CONTROL PANEL



- a. ON/OFF: Press the ON/OFF button once to turn the power ON. Press again to turn OFF.
- b. START/PAUSE: Press the START/PAUSE button once to start the wash cycle. Press the button during operation to pause the cycle. Press again to continue the cycle.
- c. Digital Display: The digital display will show and count down the estimated minutes for the wash cycle selected. If Delay Start is set, the display will count down the hours until the cycle begins, and then change to a minute countdown for the wash cycle.
- d. Function: Press this button to select cycle steps included in your setting cycle. The related light will be ON indicating that the step is selected. Normally, all Wash, Rinse and Spin steps are included with all lights ON.
- e. Delay: Press this button to set your desired time to delay start the washer.
- f. Load Size: Press this button to set your washing load size. Your setting will decide the water level throughout all steps in the cycle.
- g. Temperature: Press this button to select water temperature for washing. Cold light only indicates Cold Water selection, Hot light only indicates Hot Water selection, and both Cold and Hot light together indicate Warm Water selection.
- h. Program: Press this button to select the desired wash program.
 - Normal (Lit) • Quick (Flashing)
 - Heavy (Lit) • Bulky (Flashing)
 - Delicate (Lit) • Spin Only (Flashing)
- i. Extra Rinse: Press to add an additional Rinse Cycle.
- j. Control Lock: Use to lock the control panel.

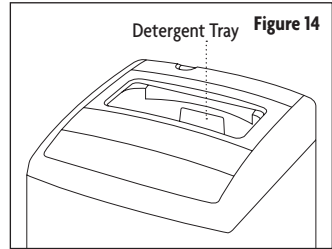
USING THE WASHER

1. TURN ON THE WASHER: Press the "⏻" (On/Off) button to turn the power on.

2. **LOAD THE WASHER:** Sort the laundry by fabric type and color and place in the washer. **DO NOT** load the tub more than $\frac{3}{4}$ full.

▲ NOTE: Be sure to remove all objects (coins, keys, etc.) from pockets and zip up zippers before putting clothes in the washer.

3. **ADD DETERGENT:** This washer is designed for high efficiency (HE) powder detergent only. Pull the detergent compartment out and add the recommended amount of detergent directly into the detergent compartment before starting your washer. The normal amount of detergent to use is $\frac{1}{4}$ to $\frac{1}{2}$ of the maximum amount recommended by the detergent manufacturer. **ALWAYS** reduce the amount of detergent if the load is small or lightly soiled, or if your water is very soft. **NEVER** use more than the maximum amount recommended by the detergent manufacturer.



▲ NOTE: **NEVER** pour any liquid bleach directly onto the load. Doing so may cause damage to fabrics, such as weakening of cloth fibers or color loss.

4. **SELECT WASH CYCLE:** Begin by pressing the "☐" (Program) button to select the desired wash program.
 - Normal (Lit) • Quick (Flashing)
 - Heavy (Lit) • Bulky (Flashing)
 - Delicat (Lit) • Spin Only (Flashing)

Each time the button is pushed, the selected cycle will change. The light between the choices on the left and right will either be steadily lit (Lit), or will flash (Flashing) to indicate which program is currently selected.

▲ NOTE: The Spin Only cycle can help remove some moisture from clothing to reduce drying time and cost.

5. **SELECT LOAD SIZE:** Press "☐" (Load Size) to select the water level based on a Large, Medium or Small load size.
6. **SELECT FUNCTIONS:** Press "⚙️" (Function) to set the functions you want the washer to perform. The default setting is Soak — Wash — Rinse — Spin, with the indicator next to each lit. Each push of the button will change the selected functions, with the indicator lights showing what functions are selected. You can choose a combination of functions or one individual function by itself.
7. **SELECT WATER TEMPERATURE:** Press "🌡️" (Water Temperature) to select the desired wash temperature of Hot, Warm, or Cold. The indicator light will display what the current selected water temperature is.

▲ NOTE: The actual temperature of the water will be determined by the temperature of the water supply. If only one water supply hose is used, it must be connected to the Cold water inlet, and the Water Temperature must be set to Cold.

8. **START THE CYCLE:** Press "▶️" (Start/Pause) to begin the wash cycle. When the washing cycle begins, the estimated time in minutes for the cycle to complete will show and count down in the digital display.

▲ NOTE: The washer will shut off if the START/PAUSE button is not pressed within ten minutes.

OTHER FEATURES

1. **DELAY START:** The Delay Start function allows you to delay the starting of the wash cycle from 1-24 hours. Push (Delay) after setting wash cycle functions to set the washer to start at a later time, in increments of 1 hour for each push from 1-24 hours. When Delay Start is set, the display will count down the hours until the cycle begins, and then change to a minute countdown for the cycle. When the Delay is set, the indicator light under the display will be lit. Pushing the Delay button once more after the timer is at 24 hours will cancel the Delay Start and the display indicator will turn off.

▲ NOTE: If you want to cancel the Delay Start Function after it has started, power the unit off and reset all functions before restating the washer.

2. **PAUSE:** Push "▶||" (Pause) to temporarily stop the wash cycle if additional items of clothing need to be added. Push it again to restart.

▲ WARNING: When the washer is running, wait for the tub to stop moving completely before you open the lid.

3. **EXTRA RINSE:** Press "🔄" (Extra Rinse) if you wish the washer to run an additional rinse cycle. This should be done after wash program is set, before pressing (Start/Pause) to begin the cycle.
4. **CONTROL LOCK:** Press and hold "🔒" and "📅" (Temp. and Program) simultaneously to activate this function. The digital display will show "CL". If the washer is running, or has a Delay Start set, the "CL" and remaining time or Delay Start time will alternate on the display. Repeat pressing and holding the Temp and Program buttons to deactivate. When Control Lock is activated, no buttons will function except for POWER and the ability to deactivate Control Lock as described above.

▲ WARNING: This function is useful to prevent children from changing the operation status of the unit.

DELAY FUNCTION

The washing machine can be set for a delayed start. The delay can be set in 1 hour increments from 1-24 hours. To set the delay start feature:

1. Press the ON/OFF button to turn the washer ON.
2. Properly hang the drain hose and turn on the water tap.
3. Load the laundry and detergent in the washer.
4. Select the appropriate water level.
5. Select the desired program and functions.
6. Press the delay button to set the number of hours to delay the start of the wash cycle.
7. Close the lid and press the Start/Pause button.

Once the delay function is activated, the Delay indicator light will flash, and all other lights will turn off. To check the status of the delay preset, push and hold the Delay button. Release the Delay button to return to the Delay start mode.

To cancel the Delay setting, press the ON/OFF button.

POWER LOSS MEMORY FUNCTION

In the event of the loss of power, the washer will automatically resume operation from previous settings when power is restored. To cancel the Delay setting, press the ON/OFF button.

WASH CYCLE GUIDE

MCSTCW16W4 & MCSTCW16S4

Program	Load Size		Soak Time (approx.)	Wash Time (approx.)	Rinse Cycles	Final Spin Time	Total Time
	Default	Scope					
Normal	Large	Small	-	15 min	1	7 min	32 min
		Medium	-	15 min	1	12 min	37 min
		Large	-	15 min	1	44 min (Cold) 12 min (Warm/Hot)	69 min (Cold) 37 min (Warm/Hot)
Heavy	Large	Small, Medium, Large	-	15 min	2	7 min	44 min
Delicate	Large	Small, Medium, Large	-	12 min	2	3 min	37 min
Quick	Large	Small, Medium, Large	-	3 min	1	3 min	15 min
Bulky	Large	Small, Medium, Large	15 min	15 min	2	7 min	59 min
Spin Only	-	-	-	-	-	24 min	25 min

▲ NOTES:

- "Normal" program is the most suitable program to wash soiled cotton or linen clothes and is the most efficient program in terms of combined energy and water consumption for washing that type of laundry.
- The Normal cycle on Large load size and cold water temperature has a much longer spin time (44 minutes) than other cycles, which removes more water from the clothes than other cycles, providing an energy savings when drying clothes in the dryer.
- Hot and warm water temperatures are the same when using Normal. If you need a higher temperature wash, use a different program.

MCSTCW20W4 & MCSTCW20S4

Program	Load Size		Soak Time (approx.)	Wash Time (approx.)	Rinse Cycles	Final Spin Time	Total Time
	Default	Scope					
Normal	Large	Small	-	15 min	1	7 min	32 min
		Medium	-	15 min	1	12 min	37 min
		Large	-	15 min	1	34 min (Cold) 12 min (Warm/Hot)	59 min (Cold) 37 min (Warm/Hot)
Heavy	Large	Small, Medium, Large	-	15 min	2	7 min	44 min
Delicate	Large	Small, Medium, Large	-	12 min	2	3 min	37 min
Quick	Large	Small, Medium, Large	-	3 min	1	3 min	15 min
Bulky	Large	Small, Medium, Large	15 min	15 min	2	7 min	59 min
Spin Only	-	-	-	-	-	24 min	25 min

▲ NOTES:

- "Normal" program is the most suitable program to wash soiled cotton or linen clothes and is the most efficient program in terms of combined energy and water consumption for washing that type of laundry.

- The Normal cycle on Large load size and cold water temperature has a much longer spin time (34 minutes) than other cycles, which removes more water from the clothes than other cycles, providing an energy savings when drying clothes in the dryer.
- Hot and warm water temperatures are the same when using Normal. If you need a higher temperature wash, use a different program.

MCSTCW30W4

Program	Load Size		Soak Time (approx.)	Wash Time (approx.)	Rinse Cycles	Final Spin Time	Total Time
	Default	Scope					
Normal	Large	Small	-	15 min	1	8 min	34 min
		Medium	-	15 min	1	12 min	39 min
		Large	-	15 min	1	28 min (Cold) 13 min (Warm/Hot)	54 min 39 min (Warm/Hot)
Heavy	Large	Small, Medium, Large	-	15 min	2	7 min	51 min
Delicate	Large	Small, Medium, Large	-	12 min	2	4 min	45 min
Quick	Large	Small, Medium, Large	-	3 min	1	3 min	20 min
Bulky	Large	Small, Medium, Large	15 min	15 min	2	7 min	66 min
Spin Only	Large	-	-	-	-	24 min	26 min

▲ NOTES:

- "Normal" program is the most suitable program to wash soiled cotton or linen clothes and is the most efficient program in terms of combined energy and water consumption for washing that type of laundry.
- The Normal cycle on Large load size and cold water temperature has a much longer spin time (28 minutes) than other cycles, which removes more water from the clothes than other cycles, providing an energy savings when drying clothes in the dryer.
- Hot and warm water temperatures are the same when using Normal. If you need a higher temperature wash, use a different program.

CARE AND MAINTENANCE

CLEANING THE EXTERIOR

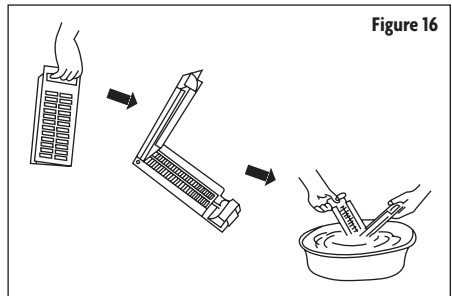
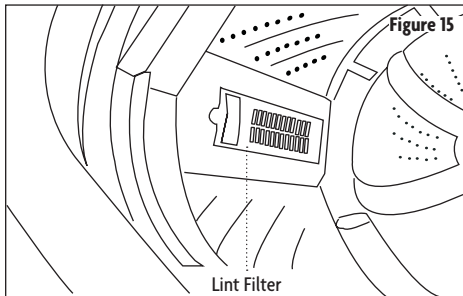
Use a soft cloth to wipe off any water and dirt residue from the surface of the washing machine after every use. Detergents, propellants, and other chemicals should not be used to clean the washing machine in order to avoid any possible damage to the finish and plastic accessories. **DO NOT** spray the washer with water.

CLEANING THE INTERIOR

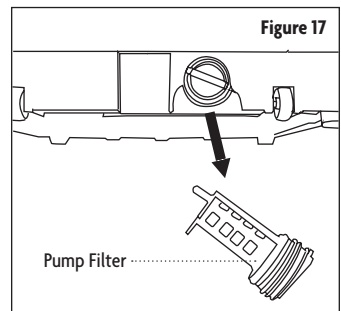
Clean the interior of your washer periodically to remove any dirt, soil, odor, mold, mildew, or bacterial residue that may remain in your washer as a result of washing clothes. Failure to follow these instructions may result in odors and/or permanent stains on your washer or laundry. To clean the tub, run the Quick cycle with some bleach once every month. This will also help to remove mold which may occur inside the washer. Hard water deposits may be removed, if needed. Use cleaners labeled “Washer safe”.

CLEANING THE FILTERS

1. **LINT FILTER:** There is a built-in lint filter in your washer that collects lint during the washing cycle. It is suggested to clean the lint filter every 10 cycles or as needed. To clean, remove the filter from inside of the washer tub, clean it with water, and then place it back into the washer.



2. **PUMP FILTER:** There is a built-in Pump filter in your washer that helps protect the pump during washing cycle. It is suggested to clean the pump filter every 10 cycles or as needed. To clean it out, remove the filter from the bottom rear of the washer, clean it with water and then place it back into the washer.



TROUBLESHOOTING

BEFORE CALLING FOR SERVICE

Your washing machine is equipped with an automatic error-monitoring system to detect and diagnose problems at an early stage. If the washing machine fails to operate properly, or it sounds an alarm, please check the following guidelines for possible solutions to common problems or alarm indicators before calling for service.

ERROR CODES

Error Code	Cause	Possible Solution
E1	It takes over 30 minutes to fill water but cannot achieve its preset water level.	Check below for “Washer Not Filling Properly” and/or for water leakage.
E2	It takes over 10 minutes to drain water but cannot drain the washer empty.	Check below for “Washer Will Not Drain Water”.
E3	Top lid is open .	Close the lid.
E4	The washer is unbalanced.	Redistribute the load.
Other	Anything else	Turn off the washer and unplug, then plug back in and restart. If error persists, contact customer service for assistance.

LIST OF PROBLEMS AND POSSIBLE SOLUTIONS

Problem	Possible Cause	Solutions
Thumping sound	Heavy wash loads may produce a thumping sound.	This is normal. If sound continues, washer is probably out of balance.
	Washer load may be out of balance.	Pause the cycle and redistribute the load.
Vibrating noise	Packaging materials were not removed.	Make sure all packing materials have been removed.
	Load may be unevenly distributed in the tub.	Pause the cycle and redistribute the load.
	Not all leveling feet are resting firmly and evenly on the floor.	See Leveling the Washer in the Installation Instructions.
	Floor not rigid enough.	Make sure that the floor is solid and does not flex.
Excessive suds	Too much or incorrect detergent used.	HE detergents are formulated specifically for High-Efficiency washers and contain suds reducing agents. Only use detergent with the High-Efficiency (HE) logo.
Water leaking	Water Inlet hose connection is loose at faucet or washer.	Check hoses for leaks, cracks and splits. Check and tighten hose connections.
	House drain pipes are clogged.	Check for water backing up out of the drain pipe during drain. If water is seen coming out of the drain, check for proper drain hose installation and check for restrictions in the drain. Contact a plumber for any necessary repairs to the drain line.
	Drain hose has come out of drain or is not inserted far enough.	Tie drain hose to inlet hose or standpipe to prevent it from coming out during drain. For smaller drain pipes, insert the drain hose into the pipe as far as the drain hose flange. For larger drain pipes, insert the drain hose into the pipe 1-2 in. past the flange.

Water leaking	A large item in the washer is above the top of the tub.	Pause the wash cycle and check the load to make sure nothing is above the top edge of the tub.
Rattling and clanking noise	Foreign objects, such as keys, coins, etc., may be in tub or pump.	Stop washer, check tub and drain filter for foreign objects. ▲ NOTE: Make sure washer is drained completely before removing drain filter. If noise continues after washer is restarted, call for service.
Clothing getting wrinkled	Washer not unloaded promptly.	ALWAYS remove items from the washer as soon as the cycle is complete.
	Washer overloaded.	While the washer can be fully loaded, the tub should not be tightly packed with items and the lid should close easily.
	Hot and cold water inlet hoses are reversed.	Hot water rinse can set wrinkles in garments. Check the inlet hose connections.
Staining	Washer was not unloaded promptly.	ALWAYS remove items from the washer as soon as possible after the cycle is complete.
	Clothes were not properly sorted.	ALWAYS wash dark colors separately from light colors and whites to prevent discoloration. NEVER wash heavily soiled items with lightly soiled items.
Wash cycle time is longer than usual	The washer automatically adjusts the wash time for the amount of laundry, water pressure and other operating conditions.	This is normal. The unit adjusts the cycle time automatically to provide optimal results for the selected cycle. The time remaining shown in the display is only an estimate. Actual time may vary.
Musty or mildew odor in washer	Incorrect or too much detergent has been used.	Use only High-Efficiency (HE) detergent in accordance with the manufacturer's instructions.
	Inside of tub was not cleaned properly.	Run an Express cycle with bleach once a month to clean tub and remove any mold from inside washer.
Washer will not turn ON ▲ NOTE: If the washer stopped during a cycle due to a loss of power, the washer will resume the cycle where it stopped when the power is restored.	Power cord is not properly plugged in.	Make sure that the plug is plugged securely into a grounded, 3-prong, 120-VAC, 60-Hz outlet.
	House fuse is blown, circuit breaker has tripped, or power outage has occurred.	Reset circuit breaker or replace fuse. If the problem is a circuit overload, have it corrected by a qualified electrician.
	House fuse is blown; circuit breaker has tripped, due to multiple appliances on one outlet.	Reset circuit breaker or replace fuse. If more than one appliance is connected to the outlet, call an electrician to have an additional circuit installed.
Water leaking from washer	Detergent producing too many suds.	Too many suds may cause leaks, and may be caused by the type and amount of detergent used. High-Efficiency detergent is the only detergent recommended. Make sure that detergent is placed into the correct dispenser compartment. The normal amount of detergent to use is 1/4 to 1/2 of the maximum amount recommended by the detergent manufacturer. ALWAYS reduce the amount of detergent if the load is small or lightly soiled, or if your water is very soft. NEVER use more than the maximum amount recommended by the detergent manufacturer.

Poor stain removal	Set in stains.	Articles of clothing that have previously been washed may have stains that have set in. These stains may be difficult to remove and may require hand washing or pre-treating to aid in stain removal.
Washer will not drain water	Kinked drain hose.	Make sure that the drain hose is not kinked.
	Drain located higher than 39 in. above the floor.	Make sure that the drain hose is no higher than 39" above the bottom of the washer and is no more than 5 ft. away from the washer.
Washer will not operate	Water supply is turned off.	Turn both hot and cold faucets fully on.
	Control panel has powered off due to inactivity.	This is normal. Press the POWER button to turn the washer on.
	Washer is unplugged.	Make sure cord is plugged securely into a working outlet.
	Controls are not set properly.	Make sure the cycle was set correctly, close the lid and press the START/PAUSE button.
	Lid is open.	The washer will not operate if the lid is open. Close the lid and make sure that nothing is caught under the lid preventing it from closing completely.
	Circuit breaker/fuse is tripped/blown.	Check house circuit breakers/fuses. Replace fuses or reset the breaker. The washer should be on a dedicated branch circuit. The washer will resume the cycle where it stopped once power is restored.
	Controls needs to be reset.	Press the POWER button, then re-select the desired cycle and press the START/PAUSE button.
	START/PAUSE was not pressed after a cycle was set.	Press the POWER button then re-select the desired cycle and press the START/PAUSE button. The washer will shut off if the START/PAUSE button is not pressed within ten minutes.
	Extremely low water pressure.	Check another faucet in the house to make sure that household water pressure is adequate.
	Washer is too cold.	If the washer has been exposed to temperatures below freezing for an extended period of time, allow it to warm up before pressing the POWER button. Otherwise, the display will not come on.
Washer not filling properly	Washer is running under Delay start program.	It's normal if the unit doesn't operate under Delay start function. It will start automatically after the delay time is out.
	Filter clogged.	Disassemble the water inlet hose and clean the inlet point.
	Inlet hoses may be kinked.	Check that inlet hoses are not kinked or clogged.
	Insufficient water supply.	Make sure that both hot and cold water faucets are turned on all the way.
	The washer lid is open.	The washer will not operate if the lid is open. Close the lid and make sure that nothing is caught under the lid preventing it from closing completely.
	Hot and cold inlet hoses are reversed.	Check inlet hose connections. Make sure the hot water supply is connected to the hot inlet valve, and the cold water supply is connected to the cold inlet valve.

Washer not filling properly	Water level is too low.	This is a high efficiency washer. The water will not normally cover the clothes. The fill level is optimized for the wash motion to achieve the best wash performance.
	Water inlet valve damaged.	Contact customer service for assistance.
Water leak every load	Hoses not installed correctly.	Check all fill and drain hose connections to ensure that they are tight and secure.



LIMITED WARRANTY

MC Appliance Corporation warrants each new Portable Washer to be free from defects in material and workmanship, and agrees to remedy any such defect or to furnish a new part(s), at the company's option, for any part(s) of the unit that has failed during the warranty period. Parts and labor expenses are covered on this unit for a period of one year from the date of purchase. A copy of the dated sales receipt/invoice is required to receive warranty service, replacement or refund.

This warranty covers appliances in use within the contiguous United States, Alaska, Hawaii and Puerto Rico. This warranty does not cover the following:

- Damages due to shipping damage or improper installation.
- Damages due to misuse or abuse.
- Content losses due to failure of the unit.
- Repairs performed by unauthorized service agents.
- Service calls that do not involve defects in material and workmanship such as instructions on proper use of the product or improper installation.
- Replacement or resetting of house fuses or circuit breakers.
- Failure of this product if used for other purposes than its intended purpose.
- Disposal costs for any failed unit not returned to our factory.
- Any delivery/installation costs incurred as the result of a unit that fails to perform as specified.
- Expenses for travel and transportation for product service if your appliance is located in a remote area where service by an authorized service technician is not available.
- The removal and reinstallation of your appliance if it is installed in an inaccessible location or is not installed in accordance with published installation instructions.
- Refunds for non repairable products are limited to the price paid for the unit per the sales receipt.
- This warranty is non transferable. This warranty applies only to the original purchaser and does not extend to any subsequent owner(s).

Limitations of Remedies and Exclusions:

Product repair in accordance with the terms herein, is your sole and exclusive remedy under this limited warranty. Any and all implied warranties including merchantability and fitness for a particular purpose are hereby limited to one year or the shortest period allowed by law. MC Appliance Corporation is not liable for incidental or consequential damages and no representative or person is authorized to assume for us any other liability in connection with the sale of this product. Under no circumstances is the consumer permitted to return this unit to the factory without the prior written consent of MC Appliance Corporation.

Some states prohibit the exclusion or limitation of incidental or consequential damages, or limitations on implied warranties. This warranty gives you specific legal rights, and you may also have other rights which vary from state to state.

Model	Parts	Labor	Type of Service
MCSTCW16W4 / MCSTCW16S4 MCSTCW20W4 / MCSTCW20S4 / MCSTCW30W4	One Year	One Year	Carry In

For Service or Assistance please call **888-775-0202**

or visit us on the web at www.mcappliance.com to request warranty service or order parts.



**CNA International, Inc. d/b/a MC Appliance Corporation. All rights reserved.
Magic Chef® logo is a registered trademark of CNA International, Inc.**

www.mcappliance.com

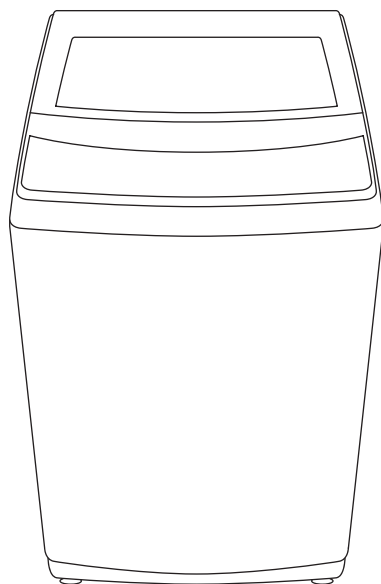
Printed in China



Magic Chef[®]

Lavadora Portátil de 1,6/2,0/3,0 pies cúbicos

Manual del usuario



Modelo MCSTCW16W4 / MCSTCW16S4 / MCSTCW20W4 / MCSTCW20S4 / MCSTCW30W4

**POR FAVOR LEA CUIDADOSAMENTE ESTE MANUAL ANTES DE USAR SU
LAVADORA Y CONSÉRVELO PARA FUTURAS REFERENCIAS.**



REGISTRO DEL PRODUCTO

Gracias por comprar un producto Magic Chef®. El primer paso para proteger su nuevo producto es completar el registro del producto en nuestro sitio web: www.mcappliance.com/register. Entre los beneficios de registrar su producto se incluyen los siguientes:

1. Registrar su producto nos permitirá contactarlo en relación con cualquier aviso de seguridad o actualización del producto.
2. Registrar su producto permitirá un proceso de servicio de garantía más eficiente, cuando se requiera el servicio de garantía.
3. Registrar su producto podría servir como su prueba de compra en el caso de que usted sufra una pérdida que esté cubierta por el seguro.

Una vez más, gracias por comprar un producto Magic Chef.

ÍNDICE

REGISTRO DEL PRODUCTO	24
INSTRUCCIONES DE SEGURIDAD IMPORTANTES	26
ESPECIFICACIONES	29
PIEZAS Y FUNCIONES	30
INSTRUCCIONES DE INSTALACIÓN	31
INSTRUCCIONES DE FUNCIONAMIENTO	34
GUÍA DE PROGRAMAS DE LAVADO	38
CUIDADO Y MANTENIMIENTO	40
SOLUCIÓN DE PROBLEMAS	41
GARANTÍA LIMITADA	45

INSTRUCCIONES DE SEGURIDAD IMPORTANTES

Este manual contiene Instrucciones de seguridad, Instrucciones de instalación y operación, y Consejos para solucionar problemas. Por favor, lea cuidadosamente este manual antes de utilizar su lavadora para conocer las instrucciones sobre cómo utilizar y mantener el producto adecuadamente. Asegúrese de seguir las instrucciones de seguridad para evitar lesiones o daños al producto.

Conserve este manual. Al transferir o vender el aparato a un tercero, el manual debe entregarse junto con el aparato.

Antes de contactar a servicio técnico, por favor cerciórese de que la unidad esté instalada y se esté usando de manera correcta, y lea la sección de solución de problemas.

▲ ADVERTENCIA: Cuando use su aparato, siga las precauciones que se indican a continuación.

▲ NOTA: Las especificaciones pueden cambiar en cualquier momento sin aviso previo.

1. Lea todas las instrucciones antes de utilizar este producto.
2. Este aparato es solo para uso doméstico. No está diseñado para usos comerciales. NO use este aparato para otro que no sea el previsto.
3. Este aparato está diseñado solamente para uso en el interior. NO lo utilice al aire libre.
4. NO coloque nada inflamable o explosivo dentro, sobre o cerca del aparato o instale el aparato cerca de un calentador o de material inflamable. NO lave prendas de ropa o artículos que hayan sido empapados en químicos inflamables o explosivos. Mantenga el área alrededor de la lavadora libre de materiales combustibles.
5. **▲ ADVERTENCIA:** Existe el riesgo de que un niño quede atrapado. NO permita que los niños jueguen encima o dentro del aparato. Es necesario vigilar de cerca a los niños cuando se utilice el aparato alrededor de ellos. Antes de que el aparato se retire de servicio o se deseche, quite la puerta del compartimiento de lavado o secado.
6. NO sienta niños en la parte superior o permita que los niños se suban a la lavadora.
7. SIEMPRE espere que la tina de la lavadora deje de moverse completamente antes de acercarse a colocar o sacar las prendas.
8. No instale o guarde este aparato donde esté expuesto a condiciones climáticas exteriores o a temperaturas de congelación.
9. NO altere, ni modifique los controles.
10. NO modifique o repare la unidad usted mismo. Comuníquese con servicio al cliente o con un técnico de servicio calificado, si se requiere servicio.
11. Bajo ciertas circunstancias, se podría producir gas de hidrógeno en un sistema de agua caliente para el hogar que no se haya usado por dos o más semanas. El gas de hidrógeno es altamente explosivo. Si el sistema de agua caliente no se ha usado por más de dos semanas, abra todos los grifos de agua caliente y deje que salga el agua por varios minutos antes de usar su lavadora compacta.
12. Esta lavadora no está diseñada para uso marítimo, ni para instalaciones móviles, como en vehículos recreativos, aviones, etc.
13. Apague el suministro de agua y desenchufe la lavadora si la máquina se va a dejar durante un período prolongado de tiempo, tal como durante las vacaciones. Se recomienda desconectar la unidad cuando no esté en uso.

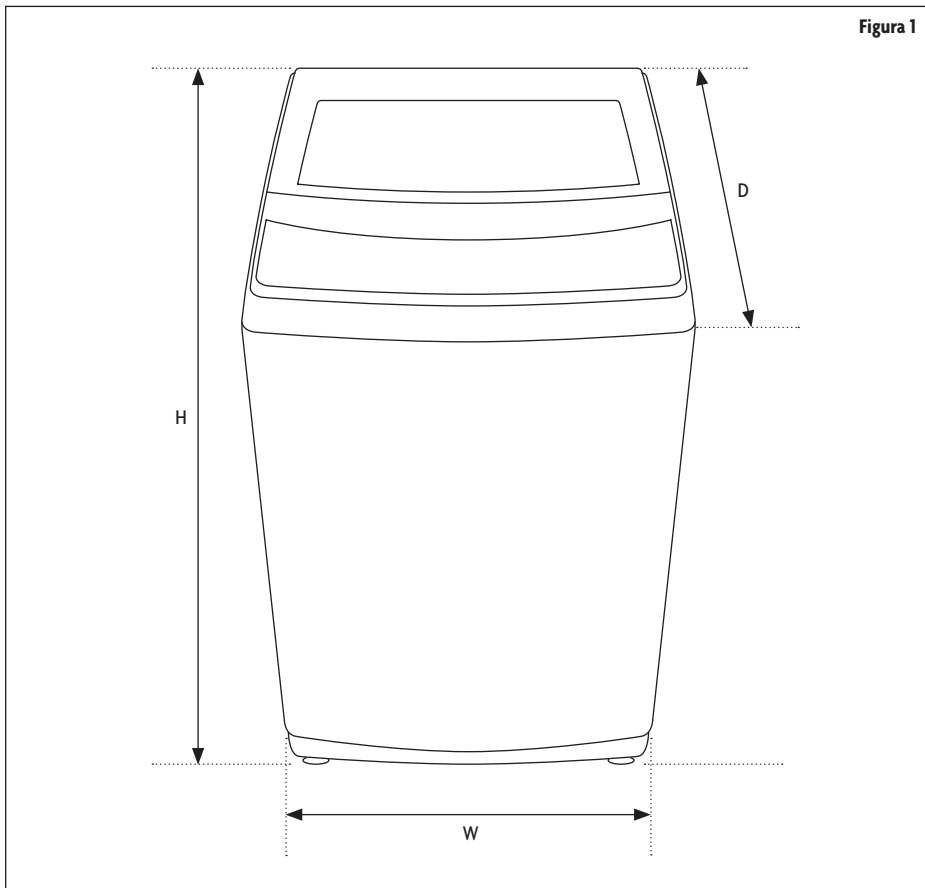
14. El material de embalaje puede ser peligroso para los niños. Hay riesgo de sofocación! Mantenga el material de embalaje fuera del alcance de los niños.
15. Siempre verifique en la parte interior de la lavadora para detectar objetos ajenos antes de cargar la lavadora. Mantenga la puerta cerrada cuando no la esté usando.
16. Este aparato debe enchufarse en un tomacorriente adecuadamente instalado y conectado a tierra, que cumpla con los requisitos de voltaje indicados en la etiqueta de especificaciones eléctricas.
17. Para reducir el riesgo de descarga eléctrica o incendio, no use una extensión o adaptadores de varias salidas para conectar la unidad a una fuente de energía eléctrica. El aparato debe estar conectado a tierra correctamente usando un tomacorriente de pared de tres puntas.
18. Este aparato debe instalarse correctamente, conforme a las instrucciones de instalación, antes de usarse. Se recomienda que el aparato sea instalado por un técnico calificado o por la compañía de servicio.
19. Limpie regularmente el enchufe para eliminar polvo y sucio y así evitar fallas eléctricas.
20. **▲ PRECAUCIÓN:** El cable eléctrico está equipado con un enchufe de 3 puntas conectado a tierra para protegerlo de peligros de descarga eléctrica. SIEMPRE conecte el cable a un receptor de pared a tierra de 3 puntas, instalado correctamente y NO elimine la punta a tierra.
21. No utilice ningún aparato que tenga un cable o enchufe dañado, si está dañado o funciona mal en modo alguno, o si el tomacorriente no esta funcionando correctamente. Póngase en contacto con atención al cliente o con un técnico de servicio.
22. NO desenchufe su aparato halando el cable de electricidad. Siempre sujete el enchufe firmemente y sáquelo derecho desde el tomacorriente. NO doble, ate o tuerza el cable eléctrico, ni lo cuelgue sobre o cerca de un objeto punzante.
23. NO opere la lavadora desenchufando o enchufando la lavadora mientras está en funcionamiento.
24. NO instale la lavadora en un área húmeda, grasosa o donde haya polvo, o donde pueda mojarse. NO instale en donde haya sol directo o donde esté expuesta a condiciones climáticas exteriores.
25. Para mover e instalar la lavadora es recomendable que lo hagan dos personas.
26. Si el aparato está inundado, corte la corriente inmediatamente y contacte a su centro de servicio más cercano.
27. Si el aparato emite sonidos extraños, un olor a quemado o a humo, desenchufe el cable de electricidad inmediatamente y contacte a su centro de servicio más cercano.
28. No fuerce la tapa de la lavadora mientras la lavadora está funcionando. La puerta de carga debe estar cerrada cuando la tina esté girando.
29. NO introduzca las manos en la lavadora si la tina o el agitador está en movimiento. Detenga o pause la unidad y permita que la tina se detenga por completo.
30. No inserte sus manos u otros objetos debajo la lavadora.
31. NO opere la unidad, ni manipule el enchufe con las manos húmedas.
32. Use solo los detergentes o suavizantes recomendados en este manual y mantenga todos los productos de limpieza fuera del alcance de los niños.
33. SIEMPRE apague y desenchufe la unidad del tomacorriente antes de repararla, cambiarle accesorios o limpiarla. Permita que la unidad se enfríe completamente antes de limpiarla, moverla o hacerle servicio. Apague la unidad, no la desconecta de la fuente de poder.
34. NO utilice esta lavadora a menos que todos los paneles incluidos estén instalados correctamente.

35. SIEMPRE asegúrese de conectar de forma correcta y segura el cable eléctrico al tomacorriente y las mangueras de agua para evitar fugas o descarga eléctrica.
36. No lave impermeables, chaquetas pesadas, alfombras, o artículos pesados similares.

**LEA Y SIGA CUIDADOSAMENTE ESTA
INFORMACIÓN DE SEGURIDAD
GUARDE ESTAS INSTRUCCIONES**

ESPECIFICACIONES

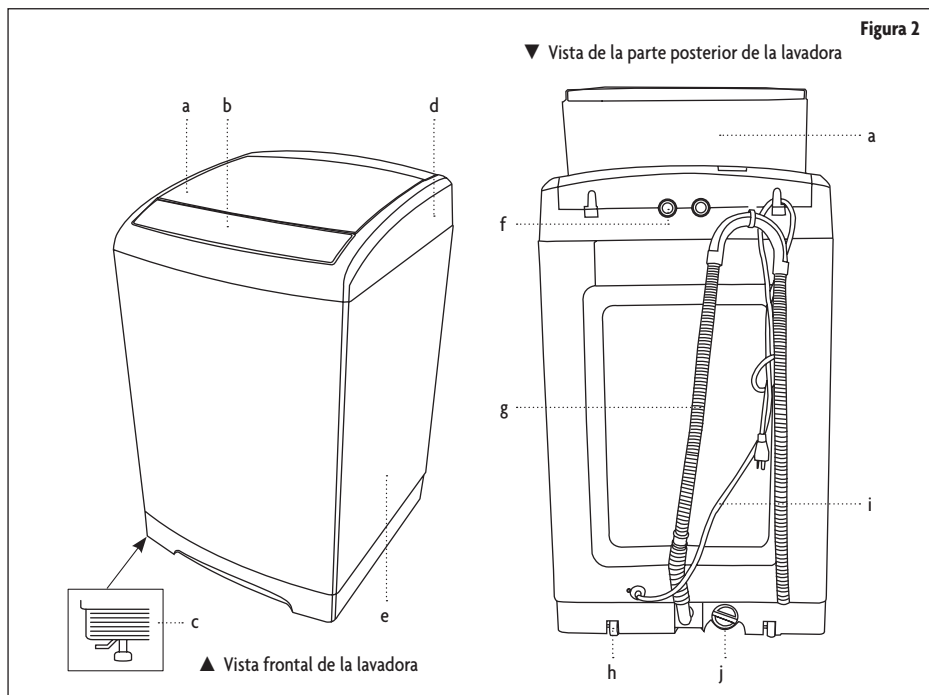
Figura 1



Modelo	MCSTCW16W4 / MCSTCW16S4	MCSTCW20W4 / MCSTCW20S4	MCSTCW30W4
Capacidad	1.6 cu. ft.	2.0 cu. ft.	3.0 cu. ft.
Dimensiones (A x L x P)	20.3" x 20.7" x 36.6"	21.7" x 22.2" x 37.0"	23.7" x 24.8" x 39.4"
Peso	77.8 lbs. (35.0 kg)	83.5 lbs. (38.0 kg)	99.2 lbs. (45.0 kg)
Fuente de alimentación	120V / 60Hz	120V / 60Hz	120V / 60Hz
Corriente nominal	6.0 A	6.5 A	7.0 A

PIEZAS Y FUNCIONES

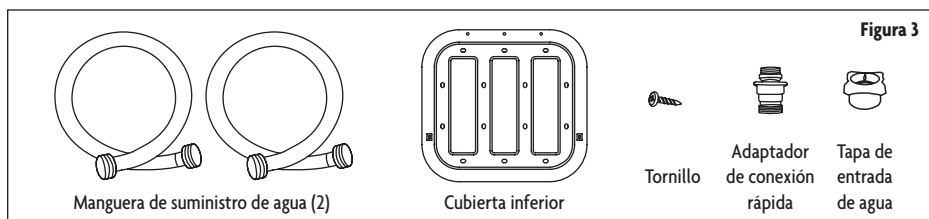
PARTES DEL PRODUCTO



- | | | |
|---------------------|--------------------------------|--------------------------|
| a. Tapa superior | e. Gabinete | i. Cable de electricidad |
| b. Panel de control | f. Manguera de entrada de agua | j. Filtro de la bomba |
| c. Pata ajustable | g. Manguera de desagüe* | |
| d. Estructura | h. Rodillos | |

*▲ **NOTA:** Los modelos de 16 pies cúbicos (MCSTCW 16W4 y MCSTCW 16S4) tienen UNA pata de nivelación ajustable, y la manguera de drenaje está ubicada al costado de la lavadora. Los modelos de 2,0 pies cúbicos (MCSTCW 20W4 y MCSTCW 20S4) tienen DOS patas de nivelación ajustables, y la manguera de drenaje está ubicada en la parte posterior de la lavadora.

ACCESORIOS



INSTRUCCIONES DE INSTALACIÓN

RETIRO DE LOS MATERIALES DE EMBALAJE E INSTALACIÓN

- Retire la caja del empaque, el aislamiento de poliuretano y la pieza de cartón del fondo.
- Abra la puerta de la lavadora y saque todos los accesorios que estén en el tambor.
- NO use la lavadora sobre la base de embalaje de poliuretano.
- Con cuidado coloque la máquina.
- Deslice la Cubierta inferior en su lugar sobre la apertura en la parte inferior y ajústela con el tornillo de montaje.
- La lavadora debe instalarse en una superficie estable, lo suficientemente cerca a la toma de agua, drenaje y tomacorriente para asegurar que las mangueras y el cable eléctrico alcancen.

⚠ ADVERTENCIA: La conexión incorrecta del cable eléctrico puede resultar en un riesgo de descarga eléctrica. Verifique con un electricista o técnico calificado si tiene dudas sobre si el aparato está conectado a tierra correctamente. No modifique el enchufe provisto con el aparato, incluso si no encaja en el tomacorriente. Permita que un técnico calificado le instale el tomacorriente correcto.

INSTALACIÓN DE LA LAVADORA

UBICACIÓN

Mueva la lavadora vacía colocándola cuidadosamente hacia atrás unos 60° a 70° grados hasta que las rueditas de la parte posterior de la unidad puedan rodar por el piso. No intente mover la lavadora cuando tenga ropa o agua en ella, y pida ayuda a otra persona si es necesario. No la instale sobre alfombra. Instale la lavadora en un piso nivelado y sólido que pueda soportar su peso. Almacene o instale la lavadora donde no esté expuesta a condiciones climáticas exteriores o a temperaturas por debajo del punto de congelación. Coloque el aparato de modo que el enchufe, las entradas de agua y el drenaje sean fácilmente accesibles.

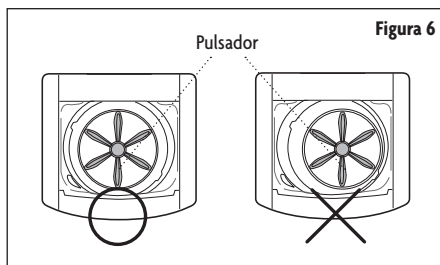
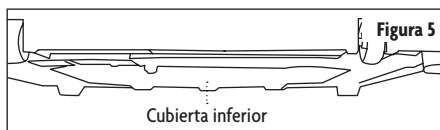
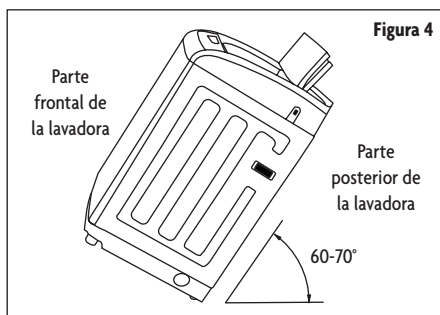
INSTALE LA CUBIERTA INFERIOR

Deslice la cubierta inferior en las ranuras de la superficie inferior de la unidad como se muestra en la siguiente Figura 5, y fíjela con los el tornillo que se adjuntan con la unidad.

NIVELE LA LAVADORA

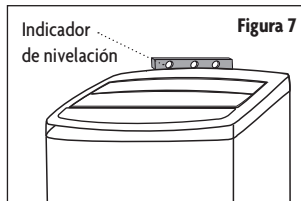
La lavadora de estar nivelada previo a su uso. Puede verificar si la lavadora está nivelada comprobando la posición de la tina o utilizando un nivel de burbuja.

1. Deslice la lavadora a su posición.
2. Abra la tapa de la lavadora y vierta el agua en la tina justo debajo del nivel del pulsador.



3. Si la lavadora está nivelada, el pulsador se coloca en el centro de la lavadora como se muestra en la Figura 7. Si no es así, nivele la lavadora girando la pata o pastas niveladoras delanteras hacia la izquierda o hacia la derecha, según sea necesario.

▲ NOTA: Las lavadoras de 1,6 pies cúbicos (MCSTCW16W4 y MCSTCW16S4) tienen una sola pata ajustable. Las lavadoras de 2,0 pies cúbicos (MCSTCW 20W4 y MCSTCW 20S4) tienen dos patas ajustables.

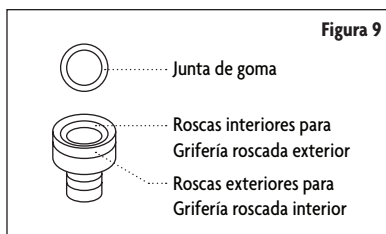
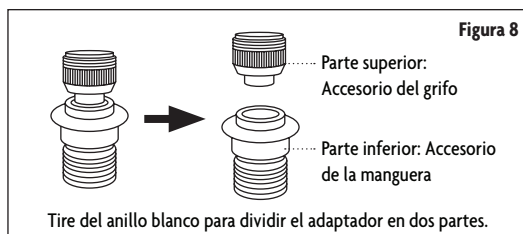


CONECTE LA MANGUERA DE AGUA

▲ NOTA: Para llenar correctamente su lavadora en el tiempo adecuado, se requiere presión de agua de 14-70 p.s.i. (100-500 kPa) y el grifo debe estar a 4 pies de las mangueras de entrada de agua, en la parte posterior de la lavadora.

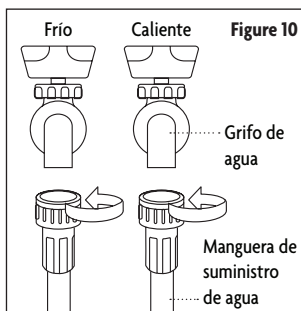
- El Adaptador de conexión rápida, es principalmente para la conexión rápida a un solo grifo, como un típico fregadero de cocina, en casos en que la lavadora se almacena en un lugar diferente de donde se utiliza. Omite este paso si conecta la lavadora a un fregadero con grifo frío y grifo caliente separados. El adaptador consta de dos partes que se conectan o desconectan rápidamente. Una parte, el accesorio del grifo es para la conexión a la grifería y la otra parte, la conexión a la manguera, se conecta a la manguera de agua fría de la lavadora.
 - Hale hacia atrás el anillo blanco para liberar el accesorio de la grifería del adaptador para instalarlo en la grifería.
 - Atornille el extremo de la manguera de agua fría en la base de la conexión de la manguera.
 - Si el grifo tiene roscas internas, desenrosque el aireador si está presente, desde el extremo del grifo. Luego atornille el accesorio de la grifería en el grifo. Asegúrese de que la junta de goma negra esté en la parte superior del adaptador antes de atornillarlo.
 - Si el grifo tiene roscas de tornillo externas, retire la junta de la parte superior del accesorio de la grifería y atornille el accesorio sobre las roscas externas.
 - Hale hacia atrás el anillo blanco para conectar las dos partes del adaptador nuevamente.

▲ NOTA: Cuando se conecta a un solo grifo que puede dispensar agua fría o caliente, tanto el agua fría como la caliente se pueden pasar a través de la línea de agua fría para el lavado. Sin embargo, se recomienda realizar solamente lavados con agua fría cuando el adaptador está conectado a un grifo de este tipo.



- Conecte los extremos de las mangueras de suministro de agua a los grifos de agua CALIENTE y FRÍA. Para mayor comodidad, use el Adaptador de conexión rápida para conectarlo al grifo de agua fría.
- Apriete los accesorios a mano hasta que estén ajustados, y luego apriételos dos tercios de vuelta más con una llave.

▲ ADVERTENCIA: Cuando ajuste los accesorios, no apriete en exceso, ni aplique cinta o sellador a los grifos o tomas de suministro de agua. Esto puede dañar los accesorios. Después de haber conectado las mangueras de suministro de agua a los grifos, asegúrese de que estén conectadas de forma segura antes de abrir el agua.



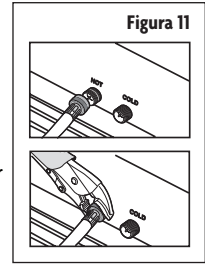
4. Deje correr el agua a través de las mangueras durante 10-15 segundos, permitiendo que se drene en una cubeta o fregadero para eliminar cualesquiera sustancias extrañas de las líneas, luego cierre el agua.

5. Conecte los extremos de las mangueras de suministro de agua a las conexiones de entrada de suministro de agua en la parte posterior de la lavadora.

▲ NOTA: La manguera de suministro de agua conectada al grifo CALIENTE debe estar conectada a la toma de suministro de agua caliente y la manguera de agua conectada al grifo FRÍO debe estar conectada a la entrada de suministro de agua fría.

6. Apriete los accesorios a mano hasta que estén ajustados, y luego apriételes dos tercios de vuelta más con una llave. Abra el agua y revise por cualesquiera fugas.

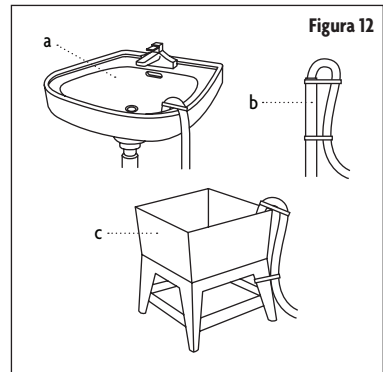
▲ ADVERTENCIA: Confirme que las mangueras de suministro de agua no estén torcidas, ni dobladas. Si las mangueras están torcidas o dobladas, las mangueras pueden tener fugas y causar una descarga eléctrica debido a la fuga de agua. Para garantizar el uso correcto del agua, conecte ambos grifos de agua CALIENTE y FRÍA. Si alguno o ambos no están conectados, puede ocurrir un código de error. Si no desea utilizar la manguera de suministro de agua CALIENTE o solo puede conectar a un grifo, instale la tapa de entrada de agua en el orificio de entrada de suministro de agua CALIENTE. En este caso, debe seleccionar Agua fría como la opción de temperatura de lavado.



CONECTE LA MANGUERA DE DRENAJE

Posicione el otro extremo de la manguera de drenaje. Se puede posicionar de tres maneras. La altura recomendada de la manguera de drenaje es de 35" (90 cm) y no debe superar los 39". La lavadora debe ubicarse a 5' del drenaje.

- Sobre el borde de un fregadero: Asegure la guía al costado de la pared de la cuenca con un gancho o al grifo con un trozo de cordel o una brida para evitar que la manguera de drenaje se mueva.
- En una tubería vertical: El tubo vertical no debe tener menos de 32 pulgadas (81 cm) y no más de 39 pulgadas (100 cm). El diámetro del tubo de drenaje debe ser lo suficientemente grande como para aceptar fácilmente la manguera de drenaje.
- En un lavadero: El lavadero no debe tener menos de 32 pulgadas (81 cm) y ni más de 39 pulgadas (100 cm).



▲ NOTA: La conexión entre la manguera de drenaje y el fregadero, tubería o lavadero no debe ser hermética.

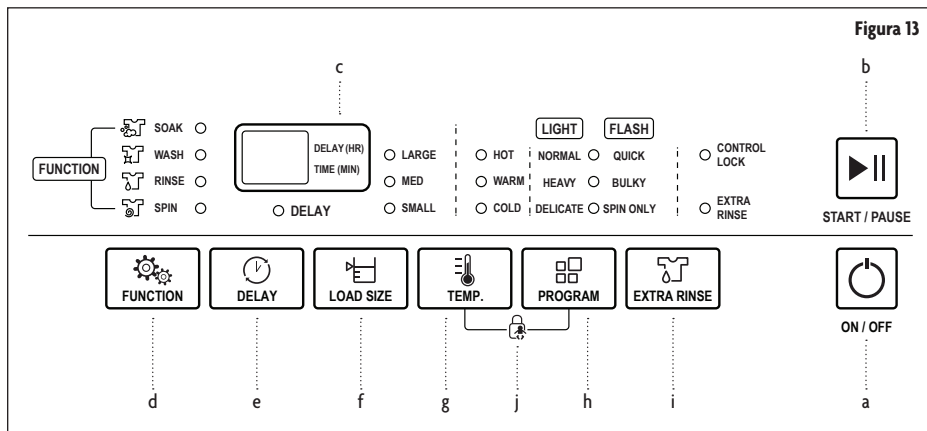
EJECUTE UN CICLO DE PRUEBA

- Enchufe la lavadora.
- Cargue aproximadamente 5 libras de ropa.
- Presione el botón de "Encendido" para encender la lavadora.
- Seleccione el ciclo "Enjuague y centrifugado" presionando el botón "Función" para encender las luces indicadoras para "Enjuague" y "Centrifugado", y luego presione el botón ("Start/Pause") "Inicio / pausa".
- La lavadora no debe balancearse o vibrar excesivamente cuando se suministre agua o cuando esté lavando, o durante el centrifugado, y debe drenar bien durante el ciclo de centrifugado.

▲ NOTA: Si se filtra agua mientras se suministra o drena el agua, verifique las conexiones de agua. Si la lavadora se balancea y vibra excesivamente, vuelva a nivelar la lavadora.

INSTRUCCIONES DE FUNCIONAMIENTO

PANEL DE CONTROL



- ENCENDIDO/APAGADO (ON/OFF): Presione el botón de ENCENDIDO/APAGADO una vez para ENCENDER. Presione nuevamente para apagar.
- INICIO / PAUSA: Presione el botón INICIO / PAUSA una vez para comenzar el ciclo de lavado. Presione el botón durante la operación para pausar el ciclo. Presione nuevamente para continuar el ciclo.
- Pantalla digital: La pantalla digital mostrará y contará los minutos estimados para el ciclo de lavado seleccionado. Si se configura Inicio demorado, la pantalla contará regresivamente las horas hasta que comience el ciclo, y luego cambiará a una cuenta regresiva de minutos para el ciclo de lavado.
- Función: Presione este botón para seleccionar los pasos del ciclo incluidos en su ciclo de configuración. La luz relativa se ENCENDERÁ indicando que el paso está seleccionado. Normalmente, todos los pasos de Lavado, Enjuague y Centrifugado están incluidos con todas las luces ENCENDIDAS.
- Demora: Presione este botón para configurar el tiempo deseado para demorar el inicio de la lavadora.
- Tamaño de la carga: Presione este botón para configurar el tamaño de la carga de lavado. Su configuración decidirá el nivel del agua en todos los pasos del ciclo.
- Temperatura: Presione este botón para seleccionar la temperatura del agua para el lavado. La luz Fria solo indica selección de Agua fría, la luz Caliente solo indica selección de Agua caliente, y tanto la luz Fria como la Caliente indican la selección de Agua tibia.
- Programa: Presione este botón para seleccionar el programa de lavado deseado.
 - Normal (Iluminado)
 - Rápido (parpadeante)
 - Pesado (Iluminado)
 - Voluminoso (parpadeante)
 - Delicado (Iluminado)
 - Solo centrifugado (parpadeante)
- Enjuague adicional: Presione para agregar un Ciclo de enjuague adicional.
- Control de bloqueo: Use para bloquear el panel de control.

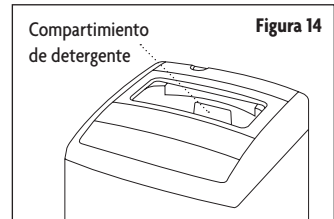
USO DE LA LAVADORA

- ENCIENDA LA LAVADORA: Presione el botón de "  " (On/Off) Encendido/Apagado para encender lavadora.

2. CARGUE LA LAVADORA: Clasifique la ropa por el tipo de tela y color y colóquela en la lavadora. No cargue la tina más de $\frac{3}{4}$ de su capacidad completa.

▲ NOTA: Asegúrese de retirar todos los objetos (monedas, llaves, etc.) de los bolsillos y cierre las cremalleras antes de poner la ropa en la lavadora.

3. AGREGUE EL DETERGENTE: Esta lavadora está diseñada solo para detergente en polvo de alta eficiencia (high efficiency, HE). Hale el compartimiento de detergente y agregue la cantidad recomendada de detergente directamente en el compartimiento de detergente, antes de encender la lavadora. La cantidad normal de detergente a utilizar es de $\frac{1}{4}$ a $\frac{1}{2}$ de la cantidad máxima recomendada por el fabricante del detergente. Siempre reduzca la cantidad de detergente si la carga es pequeña o ligeramente sucia, o si su agua es muy blanda. Nunca use más de la cantidad máxima recomendada por el fabricante del detergente.



▲ NOTA: Nunca vierta ningún blanqueador líquido directamente sobre la carga. Si lo hace, puede dañar las telas, como el debilitamiento de las fibras de la tela o la pérdida de color.

4. SELECCIONE EL CICLO DE LAVADO: Comience por presionar el botón "⏏" (Program) Programa para seleccionar el programa de lavado deseado.
- Normal (Iluminado)
 - Rápido (parpadeante)
 - Pesado (Iluminado)
 - Voluminoso (parpadeante)
 - Delicado (Iluminado)
 - Solo centrifugado (parpadeante)

Cada vez que se presione el botón, el ciclo seleccionado cambiará. La luz entre las opciones de la izquierda y la derecha bien se iluminará constantemente (Iluminado) o parpadeará (parpadeante) para indicar qué programa está seleccionado actualmente.

▲ NOTA: El ciclo Solo centrifugado puede ayudar a eliminar la humedad de la ropa para reducir el tiempo y el costo de secado.

5. SELECCIONE EL TAMAÑO DE LA CARGA: Presione "⏏" (Load Size) Tamaño de la carga, para seleccionar el nivel del agua basado en el tamaño de la carga Grande, Mediano o Pequeño.
6. SELECCIONE LAS FUNCIONES: Presione "⏏" (Function) Función para configurar las funciones que desea que la lavadora realice. La configuración predeterminada es Remojo - Lavado - Enjuague - Centrifugado, con el indicador al lado de cada uno iluminado. Cada presión al botón cambiará las funciones seleccionadas, con las luces indicadoras que muestran qué funciones están seleccionadas. Puede elegir una combinación de funciones o una función individual por sí misma.
7. SELECCIONE LA TEMPERATURA DEL AGUA: Presione "⏏" (Water Temperature) Temperatura del agua para seleccionar la temperatura del agua deseada de Caliente, Tibia o Fría. La luz indicadora mostrará la temperatura del agua seleccionada.
8. COMIENCE EL CICLO: Presione "▶||" (Start/Pause) Inicio/Pausa para comenzar el ciclo de lavado. Cuando comience el ciclo de lavado, se mostrará el tiempo estimado en minutos para completar el ciclo y la cuenta regresiva en la pantalla digital.

▲ NOTA: La lavadora se apagará si el botón "▶||" (START/PAUSE) INICIO/PAUSA no se oprime dentro de los diez minutos.

OTRAS CARACTERÍSTICAS

1. **INICIO DEMORADO:** La función de Inicio demorado le permite a usted retrasar el lavado de 1 a 24 horas. Presione (Delay) Demora después de configurar las funciones del ciclo de lavado, para configurar que la lavadora inicie en un tiempo posterior, en incrementos de 1 hora por cada presión de 1 a 24 horas. Cuando esté configurado Inicio demorado, la pantalla contará regresivamente las horas hasta que comience el ciclo, y luego cambiará a una cuenta regresiva de minutos para el ciclo de lavado. Cuando la Demora está configurada, la luz indicadora debajo de la pantalla se iluminará. Pulsar el botón de Demora por una vez más después de que el temporizador esté en 24 horas, cancelará el Inicio demorado y el indicador de la pantalla se apagará.
▲ NOTA: Si desea cancelar la Función de inicio demorado después de que haya comenzado, apague la unidad y reestablezca todas las funciones antes de poner a funcionar la lavadora.
2. **PAUSA:** Presione "▶||" (Pause) Pausa para detener temporalmente el ciclo de lavado si es necesario agregar prendas adicionales. Presione nuevamente para reiniciar.
▲ ADVERTENCIA: Cuando la lavadora esté funcionando, espere a que la tina deje de moverse completamente antes de abrir la tapa.
3. **ENJUAGUE ADICIONAL:** Presione "↺" (Extra Rinse) Enjuague adicional si desea que la lavadora ejecute un ciclo de enjuague adicional. Esto se debe hacer después de que el programa de lavado esté establecido antes de presionar (Start/Pause) Inicio/Pausa para comenzar el ciclo.
4. **BLOQUEO DE CONTROL:** Presione y mantenga presionado "⊞" and "⊞" (Temp. y Program) Temperatura y programa simultáneamente para activar esta función. La pantalla digital mostrará "CL". Si la lavadora está funcionando o tiene establecido un Inicio demorado, el "CL" y el tiempo restante o la hora de comienzo del Inicio demorado se alternarán en la pantalla. Repita presionando y sosteniendo los botones Temperatura y Programa para desactivar. Cuando se haya activado el Bloqueo de control, no funcionarán los botones, excepto para ENCENDER y la capacidad para desactivar el Bloqueo de control, como se describe anteriormente.
▲ ADVERTENCIA: Esta función es útil para prevenir que los niños cambien el estado de funcionamiento de la unidad.

FUNCIÓN DE DEMORA

La lavadora se puede configurar para un inicio demorado. La demora se puede configurar en incrementos de 1 hora desde 1 a 24 horas. Para establecer la función de inicio demorado:

1. Presione el botón de (ON/OFF) ENCENDIDO/APAGADO para ENCENDER la lavadora.
2. Cuelgue correctamente la manguera de desagüe y encienda el grifo de agua.
3. Cargue la ropa y el detergente en la lavadora.
4. Seleccione el nivel de agua apropiado.
5. Seleccione el programa deseado y las funciones.
6. Presione el botón de demora para establecer el número de horas para retrasar el inicio del ciclo de lavado.
7. Cierre la tapa y presione el botón de Inicio/Pausa.

Una vez que se active la función de retraso, la luz indicadora de Retraso parpadeará, y todas las demás luces se apagarán. Para verificar el estado del preselección de demora, mantenga presionado el botón de Demora. Libere el botón de Demora para volver al modo de inicio Demorado.

Para cancelar la configuración de Demora, presione el botón ENCENDIDO/APAGADO.

FUNCIÓN DE MEMORIA DE PÉRDIDA DE ENERGÍA

En caso de pérdida de energía, la lavadora reanudará automáticamente el funcionamiento de las configuraciones previas, cuando se restablezca la energía. Para cancelar la configuración de Demora, presione el botón ENCENDIDO/APAGADO.

GUÍA DEL CICLO DE LAVADO

MCSTCW16W4 & MCSTCW16S4

Programa	Tamaño de la carga		Tiempo de remojo (aproximado)	Tiempo de lavado (aproximado)	Ciclos de Enjuague	Final Tiempo de centrifugado	Tiempo Total
	Configuración predeterminada	Alcance					
Normal	Grande	Pequeña	-	15 min	1	7 min	32 min
		Mediana	-	15 min	1	12 min	37 min
		Grande	-	15 min	1	44 min (Fría) 12 (Tibia/ Caliente)	69 min (Fría) 37 (Tibia/ Caliente)
Pesada	Grande	Pequeña, Mediana, Grande	-	15 min	2	7 min	44 min
Ropa delicada	Grande	Pequeña, Mediana, Grande	-	12 min	2	3 min	37 min
Lavado rápido	Grande	Pequeña, Mediana, Grande	-	3 min	1	3 min	15 min
Voluminoso	Grande	Pequeña, Mediana, Grande	15 min	15 min	2	7 min	59 min
Solo centrifugado	-	-	-	-	-	24 min	25 min

▲ NOTA:

- El programa "Normal" es el programa más adecuado para lavar ropa sucia de algodón o lino y es el programa más eficiente en términos de consumo combinado de energía y agua, para lavar ese tipo de ropa.
- El ciclo "Normal" en el tamaño de carga grande y la temperatura del agua fría tienen un tiempo de centrifugado mucho más largo (44 minutos) que otros ciclos, lo que elimina más agua de la ropa que otros ciclos, lo que ahorra energía si seca su ropa en la secadora.
- Las temperaturas del agua tibia y caliente son las mismas cuando se usa "Normal". Si necesita un lavado a temperatura más alta, use un programa diferente.

MCSTCW20W4 & MCSTCW20S4

Programa	Tamaño de la carga		Tiempo de remojo (aproximado)	Tiempo de lavado (aproximado)	Ciclos de Enjuague	Final Tiempo de centrifugado	Tiempo Total
	Configuración predeterminada	Alcance					
Normal	Grande	Pequeña	-	15 min	1	7 min	32 min
		Mediana	-	15 min	1	12 min	37 min
		Grande	-	15 min	1	34 min (Fría) 12 (Tibia/ Caliente)	59 min (Fría) 37 (Tibia/ Caliente)
Pesada	Grande	Pequeña, Mediana, Grande	-	15 min	2	7 min	44 min

Ropa delicada	Grande	Pequeña, Mediana, Grande	-	12 min	2	3 min	37 min
Lavado rápido	Grande	Pequeña, Mediana, Grande	-	3 min	1	3 min	15 min
Voluminoso	Grande	Pequeña, Mediana, Grande	15 min	15 min	2	7 min	59 min
Solo centrifugado	-	-	-	-	-	24 min	25 min

▲ NOTA:

- El programa "Normal" es el programa más adecuado para lavar ropa sucia de algodón o lino y es el programa más eficiente en términos de consumo combinado de energía y agua, para lavar ese tipo de ropa.
- El ciclo "Normal" en el tamaño de carga grande y la temperatura del agua fría tienen un tiempo de centrifugado mucho más largo (34 minutos) que otros ciclos, lo que elimina más agua de la ropa que otros ciclos, lo que ahorra energía si seca su ropa La secadora.
- Las temperaturas del agua tibia y caliente son las mismas cuando se usa "Normal". Si necesita un lavado a temperatura más alta, use un programa diferente.

MCSTCW30W4

Programa	Tamaño de la carga		Tiempo de remojo (aproximado)	Tiempo de lavado (aproximado)	Ciclos de Enjuague	Final Tiempo de centrifugado	Tiempo Total
	Configuración predeterminada	Alcance					
Normal	Grande	Pequeña	-	15 min	1	8 min	34 min
		Mediana	-	15 min	1	12 min	39 min
		Grande	-	15 min	1	28 min (Fría) 13 min (Tibia/Caliente)	54 min (Fría) 39 min (Tibia/Caliente)
Pesada	Grande	Pequeña, Mediana, Grande	-	15 min	2	7 min	51 min
Ropa delicada			-	12 min	2	4 min	45 min
Lavado rápido			-	3 min	1	3 min	20 min
Voluminoso			15 min	15 min	2	7 min	66 min
Solo centrifugado	Grande	-	-	-	-	24 min	26 min

▲ NOTA:

- El programa "Normal" es el programa más adecuado para lavar ropa sucia de algodón o lino y es el programa más eficiente en términos de consumo combinado de energía y agua, para lavar ese tipo de ropa.
- El ciclo "Normal" en el tamaño de carga grande y la temperatura del agua fría tienen un tiempo de centrifugado mucho más largo (28 minutos) que otros ciclos, lo que elimina más agua de la ropa que otros ciclos, lo que ahorra energía si seca su ropa La secadora.
- Las temperaturas del agua tibia y caliente son las mismas cuando se usa "Normal". Si necesita un lavado a temperatura más alta, use un programa diferente.

CUIDADO Y MANTENIMIENTO

LIMPIEZA DEL EXTERIOR

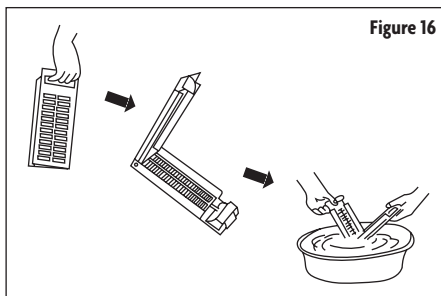
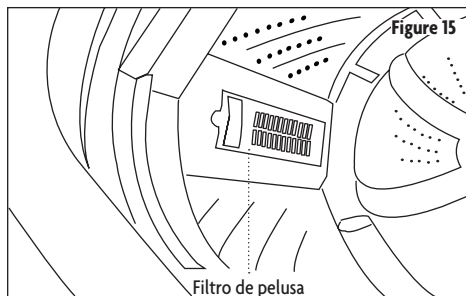
Use un paño suave para limpiar cualquier resto de agua y suciedad de la superficie de la lavadora después de cada uso. No se deben usar detergentes, propelentes y otros productos químicos para limpiar la lavadora a fin de evitar posibles daños en el acabado y los accesorios de plástico. NO rocíe la lavadora con agua.

LIMPIEZA DEL INTERIOR

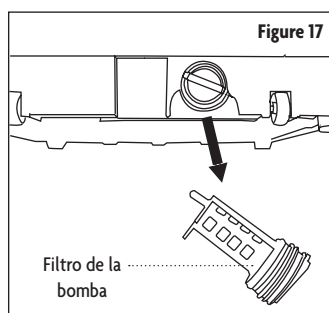
Limpie el interior de su lavadora periódicamente para eliminar suciedad, tierra, olores, moho o los residuos bacterianos que puedan quedar en la lavadora como resultado de lavar la ropa. No seguir estas instrucciones puede resultar en olores y/o manchas permanentes en su lavadora o ropa. Para limpiar la tina, ejecute el ciclo Rápido con cloro una vez al mes. Esto también ayudará a eliminar el moho que puede ocurrir dentro de la lavadora. Los depósitos de agua dura pueden eliminarse, de ser necesario. Use limpiadores etiquetados como "Seguro para lavadora".

LIMPIEZA DE LOS FILTROS

1. **FILTRO DE PELUSA:** Hay un filtro de pelusa incorporado en su lavadora que recoge pelusa durante el ciclo de lavado. Se sugiere limpiar el filtro de pelusa cada 10 ciclos o según sea necesario. Para limpiar, retire el filtro del interior de la tina de la lavadora, límpielo con agua y vuelva a colocarlo en la lavadora.



2. **FILTRO DE LA BOMBA:** Hay un filtro de la bomba incorporado en su lavadora que protege a la bomba durante el ciclo de lavado. Se sugiere limpiar el filtro de la bomba cada 10 ciclos o según sea necesario. Para limpiar, retire el filtro de la parte inferior posterior de la lavadora, límpielo con agua y vuelva a colocarlo en la lavadora.



SOLUCIÓN DE PROBLEMAS

ANTES DE LLAMAR AL SERVICIO TÉCNICO

Su lavadora está equipada con un sistema automático de monitoreo de errores para detectar y diagnosticar problemas en una etapa temprana. Si la lavadora no funciona correctamente o suena una alarma, verifique las siguientes directrices para encontrar posibles soluciones a problemas comunes o indicadores de alarma, antes de llamar al servicio técnico.

CÓDIGOS DE ERROR

Código de error	Causa	Posible solución
E1	Toma más de 30 minutos llenar el agua pero no puede alcanzar su nivel de agua preestablecido.	Verifique más abajo para conocer sobre la “Lavadora no se está llenando correctamente” y/o por fuga de agua.
E2	Toma más de 10 minutos para drenar el agua pero no puede drenar la lavadora hasta vaciarse.	Verifique más abajo para conocer sobre la “Lavadora no drena el agua”.
E3	La tapa superior está abierta.	Cierre la tapa.
E4	La lavadora no está balanceada.	Redistribuya la carga.
Otros	Algo más	Apague la lavadora y desenchúfela, luego vuelva a enchufarla y reiniciela. Si el error persiste, comuníquese con servicio al cliente para obtener asistencia.

LISTA DE PROBLEMAS Y POSIBLES SOLUCIONES

Problema	Causa posible	Soluciones
Sonido de golpes	Las cargas de ropa pesada pueden producir un sonido de golpes.	Esto es normal. Si el sonido continúa, la lavadora probablemente esté desbalanceada.
	La carga de la lavadora puede estar desbalanceada.	Coloque en pausa el ciclo y redistribuya la carga.
Vibrating noise	Los materiales de embalaje no fueron retirados.	Asegúrese de que se hayan retirado todos los materiales de embalaje.
	La carga puede estar desigualmente distribuida en la tina.	Coloque en pausa el ciclo y redistribuya la carga.
	No todas las patas niveladoras descansan firmes y uniformemente sobre el piso.	Vea Nivelación de la lavadora en las Instrucciones de instalación.
	El piso no es lo suficientemente rígido.	Asegúrese de que el piso sea sólido y no se flexione.
Exceso de espuma	Demasiado detergente o el usado es incorrecto.	Los detergentes HE están formulados específicamente para lavadoras de alta eficiencia y contienen agentes reductores de espuma. Use solo detergente con el logotipo de alta eficiencia (HE).

Fuga de agua	La conexión de la manguera de entrada de agua está suelta en el grifo o la lavadora.	Revise las mangueras por fugas, grietas y rajaduras. Revise y apriete las conexiones de las mangueras.
	Los tubos de drenaje de la casa están obstruidos.	Verifique que el agua salga de la tubería de drenaje durante el desagüe. Si se ve agua que sale del desagüe, verifique la instalación correcta de la manguera de desagüe y revise por restricciones en el desagüe. Póngase en contacto con un plomero para cualquier reparación necesaria a la línea de drenaje.
	La manguera de drenaje se ha salido del desagüe o no está insertada lo suficientemente lejos.	Ate la manguera de drenaje a la manguera de entrada o al tubo vertical para evitar que se salga durante el drenaje. Para tuberías de drenaje más pequeñas, inserte la manguera de drenaje en la tubería hasta la brida de la manguera de drenaje. Para tubos de drenaje más grandes, inserte la manguera de drenaje en el tubo 1-2 pulgadas por la brida.
	Un artículo grande en la lavadora está encima de la parte superior de la tina.	Coloque en pausa el ciclo de lavado y verifique la carga para asegurarse de que no haya nada sobre el borde superior de la tina.
Traqueteo y ruido metálico	Los objetos extraños, como llaves, monedas, etc., pueden estar en la tina o en la bomba.	Detenga la lavadora, compruebe que la tina y el filtro de drenaje no tengan objetos extraños. ▲ NOTA: Asegúrese de que la lavadora esté completamente vacía antes de retirar el filtro de drenaje. Si el ruido continúa después de que la lavadora se reinicie, llame al servicio técnico.
Ropa arrugada	La lavadora no se descargó rápidamente.	Siempre retire los artículos de la lavadora tan pronto como se complete el ciclo.
	Lavadora sobrecargada.	Si bien la lavadora puede cargarse por completo, la tina no debe estar apretada con los elementos y la tapa debe cerrarse fácilmente.
	Las mangueras de entrada de agua fría y caliente están invertidas.	El enjuague con agua caliente puede crear arrugas en las prendas. Verifique las conexiones de la manguera de entrada.
Manchas	La lavadora no se descargó rápidamente.	Siempre retire los artículos de la lavadora, tan pronto como sea posible, luego de que se complete el ciclo.
	La ropa no estaba correctamente clasificada.	Siempre lave los colores oscuros por separado de los colores claros y blancos para prevenir la decoloración. Nunca lave artículos muy sucios con artículos ligeramente sucios.
El tiempo del ciclo de lavado es más largo de lo habitual.	La lavadora ajusta automáticamente el tiempo de lavado para la cantidad de ropa, presión del agua y otras condiciones de funcionamiento.	Esto es normal. La unidad ajusta el tiempo de ciclo automáticamente para proporcionar resultados óptimos para el ciclo seleccionado. El tiempo restante que se muestra en la pantalla es solo una estimación. El tiempo real puede variar.
Olor a humedad o a moho en la lavadora	Se ha usado un detergente incorrecto o demasiado detergente.	Use solo detergente de alta eficiencia (HE) de acuerdo con las instrucciones del fabricante.
	La parte interior de la tina no se limpió adecuadamente.	Ejecute un ciclo Express con cloro una vez al mes, para limpiar la tina y retirar cualquier moho dentro de la lavadora.

<p>La luz de la lavadora no se ENCIENDE.</p> <p>▲ NOTA: Si la lavadora se detuvo durante un ciclo debido a una pérdida de potencia, la lavadora reanudará el ciclo donde se detuvo cuando se restablezca la energía.</p>	<p>El cable de electricidad no está enchufado correctamente.</p>	<p>Asegúrese de que el enchufe esté conectado de forma segura a un tomacorriente con conexión a tierra, de 3 puntas, 120 VCA y 60 Hz.</p>
	<p>El fusible de la casa está quemado, el interruptor se ha disparado o se ha producido un corte de energía.</p>	<p>Restablezca el interruptor o reemplace el fusible. Si el problema es una sobrecarga de circuito, haga que un electricista calificado lo corrija.</p>
	<p>El fusible de la casa está quemado; el interruptor se ha disparado debido a múltiples aparatos en un tomacorriente.</p>	<p>Restablezca el interruptor o reemplace el fusible. Si hay más de un aparato conectado al tomacorriente, llame a un electricista para que instale un circuito adicional.</p>
<p>Fuga de agua de la lavadora</p>	<p>Detergente que produce demasiada espuma.</p>	<p>Demasiada espuma puede causar fugas y pueden ser causadas por el tipo y la cantidad de detergente utilizado.</p> <p>El detergente de Alta eficiencia es el único detergente recomendado. Asegúrese de que el detergente esté colocado en el compartimiento del dispensador correcto. La cantidad normal de detergente a utilizar es de 1/4 a 1/2 de la cantidad máxima recomendada por el fabricante del detergente. Siempre reduzca la cantidad de detergente si la carga es pequeña o ligeramente sucia, o si su agua es muy blanda. Nunca use más de la cantidad máxima recomendada por el fabricante del detergente.</p>
<p>Mala eliminación de manchas</p>	<p>Manchas que están fijadas.</p>	<p>Los artículos de ropa que se hayan lavado previamente pueden tener manchas que se hayan fijado. Estas manchas pueden ser difíciles de remover y pueden requerir lavado a mano o pre-tratamiento para ayudar en la eliminación de manchas.</p>
<p>La lavadora no drena el agua</p>	<p>La manguera de drenaje está retorcida.</p>	<p>Asegúrese de que la manguera de drenaje no esté doblada.</p>
	<p>Drenaje ubicado a más de 39 pulgadas sobre el piso.</p>	<p>Asegúrese de que la manguera de drenaje no esté a más de 39" por encima de la parte inferior de la lavadora y que no esté a más de 5 pies de la lavadora.</p>
<p>La lavadora no funcionará</p>	<p>El suministro de agua está en posición de cerrado.</p>	<p>Coloque en posición de abiertos completamente los grifos de agua caliente y fría.</p>
	<p>El panel de control se apagó debido a inactividad.</p>	<p>Esto es normal. Presione el botón de ENCENDIDO para encender la lavadora.</p>
	<p>La lavadora está desconectada.</p>	<p>Asegúrese de que el cable esté enchufado de forma segura en un tomacorriente que funcione.</p>
	<p>Los controles no están configurados correctamente.</p>	<p>Asegúrese de que el ciclo ha sido establecido correctamente, cierre la tapa y presione el botón INICIO/PAUSA.</p>
	<p>La tapa está abierta.</p>	<p>La lavadora no funcionará si la tapa está abierta. Cierre la tapa y asegúrese de que no haya nada atrapado debajo de la tapa, evitando que ésta se cierre por completo.</p>

La lavadora no funcionará	El interruptor o fusible se ha disparado o fundido.	Revise los interruptores / fusibles de la casa. Reemplace el fusible o reestablezca el interruptor. La lavadora debe estar en un circuito derivado. La lavadora reanudará el ciclo donde se detuvo una vez que se restablezca la energía.
	Los controles deber ser reestablecidos.	Presione el botón de ENCENDIDO, luego vuelva a seleccionar el ciclo deseado y presione el botón INICIO/PAUSA.
	No se presionó INICIO/PAUSA después de que se configuró un ciclo.	Presione el botón de ENCENDIDO, luego vuelva a seleccionar el ciclo deseado y presione el botón INICIO/PAUSA. La lavadora se apagará si el botón INICIO/PAUSA no se oprime dentro de los diez minutos.
	Presión del agua extremadamente baja.	Revise otro grifo de la casa para asegurarse que la presión del agua es la adecuada.
	La lavadora está demasiado fría.	Si la lavadora ha estado expuesta a temperaturas bajo cero durante un período prolongado de tiempo, déjela calentar antes de presionar el botón ENCENDIDO. De lo contrario, la pantalla no se encenderá.
	Lavadora esta funcionando bajo el programa de inicio Demorado.	Es normal si la unidad no funciona en la función de inicio Demorado. La lavadora comenzará automáticamente después de que se agote el tiempo de demora.
Washer not filling properly	Filtro obstruido.	Desarme la manguera de entrada de agua y limpie el punto de entrada.
	Las mangueras de entrada pueden estar torcidas.	Verifique que las mangueras de entrada no estén torcidas u obstruidas.
	El suministro de agua es insuficiente.	Asegúrese de que los grifos de agua caliente y fría estén en posición de abiertos completamente.
	La tapa de la lavadora está abierta.	La lavadora no funcionará si la tapa está abierta. Cierre la tapa y asegúrese de que no haya nada atrapado debajo de la tapa, evitando que ésta se cierre por completo.
	Las mangueras de entrada de agua fría y caliente están invertidas.	Verifique las conexiones de la mangueras de entrada. Asegúrese de que el suministro de agua caliente esté conectado a la válvula de entrada caliente, y que el suministro de agua fría esté conectado a la válvula de entrada fría.
	El nivel del agua es demasiado bajo.	Esta es una lavadora de alta eficiencia. El agua no cubrirá la ropa normalmente. El nivel de llenado está optimizado para que el movimiento de lavado logre el mejor rendimiento de lavado.
	Válvula de entrada de agua dañada.	Comuníquese con servicio al cliente para obtener asistencia.
Fuga de agua en cada carga	Verifique todas las conexiones de la manguera de llenado y de drenaje para asegurarse de que estén apretadas y seguras.	



LIMITED WARRANTY

MC Appliance Corporation garantiza que todas las Lavadora carecen de defectos en el material y la mano de obra y acuerda solucionar cualquiera de estos defectos o instalar la(s) parte(s) nueva(s) (a elección de la compañía) en caso de que la unidad haya fallado durante el periodo de garantía. Las partes y gastos de reparación están cubiertos en esta unidad por un periodo de un año a partir de la fecha de compra. Es necesario presentar una copia del recibo o factura de compra con fecha para obtener los servicios de la garantía, el reemplazo o el reembolso.

Esta garantía cubre los aparatos que se usen dentro de los Estados Unidos contiguos, Alaska, Hawái y Puerto Rico. La garantía no cubre lo siguiente:

- Daños debido al daño del envío o a la instalación incorrecta.
- Daños debido al mal uso o abuso.
- Pérdidas de contenido debido a falla de la unidad.
- Las reparaciones se realizaron por los agentes desautorizados del servicio.
- Llamadas de servicio que no implican defectos en material y la ejecución tal como instrucción en el uso apropiado del producto o de la instalación incorrecta.
- Reemplazo o reajuste de los fusibles o de los interruptores de la casa.
- Falla de este producto si se usa con fines distintos a los que fue diseñado.
- Costes de la disposición de unidades falladas no vueltes a nuestra fábrica.
- Todos los gastos de entrega/instalación incurridos como resultado de una unidad que no cumple con lo especificado.
- Gastos de viajes y el transporte de los productos principales de servicio si su aparato está situado en una zona remota donde el servicio por un técnico de servicio no está disponible.
- La remoción y reinstalación de su gran aparato, si está instalado en un lugar inaccesible o no está instalado de conformidad con las instrucciones de instalación publicadas.
- Restituciones por productos no reparables se limita al precio pagado por la unidad por el recibo de compra.
- Esta garantía es intransferible. Esta garantía es válida exclusivamente para el comprador original y no se extiende a ningún otro propietario o propietarios subsiguientes.

Limitaciones de remedios y exclusiones:

La reparación del producto de acuerdo con los términos de este documento, es el único y exclusivo remedio determinado en esta garantía limitada. Todas y cada una de las garantías implicadas, incluyendo la calidad de comerciable y capacidad para un propósito particular, se limitan mediante la presente a un año o el periodo más corto permitido por la ley. MC Appliance Corporation no es responsable por daños incidentales ni resultantes y ningún representante o persona alguna están autorizados para asumir de parte nuestra ninguna otra responsabilidad en relación con la venta de este producto. Bajo ninguna circunstancia se le permite al consumidor regresar esta unidad a la fábrica sin consentimiento previo por escrito de MC Appliance Corporation. Algunos estados prohíben la exclusión o limitación por daños incidentales o resultantes, o limitaciones en las garantías implícitas. Esta garantía le otorga a usted derechos legales específicos, y usted puede también tener otros derechos que varían según la entidad federal/va donde se encuentre.

Modelo	Piezas	Trabajo	Tipo de servicio
MCSTCW16W4 / MCSTCW16S4 MCSTCW20W4 / MCSTCW20S4 / MCSTCW30W4	One Year	One Year	Carry In

Para servicio o asistencia, llame por favor al **888-775-0202**.

O visítenos en www.mcappliance.com para solicitar el servicio de garantía o repuestos.



**CNA International, Inc. d/b/a MC Appliance Corporation. All rights reserved.
Magic Chef® logo is a registered trademark of CNA International, Inc.**

www.mcappliance.com

Printed in China