

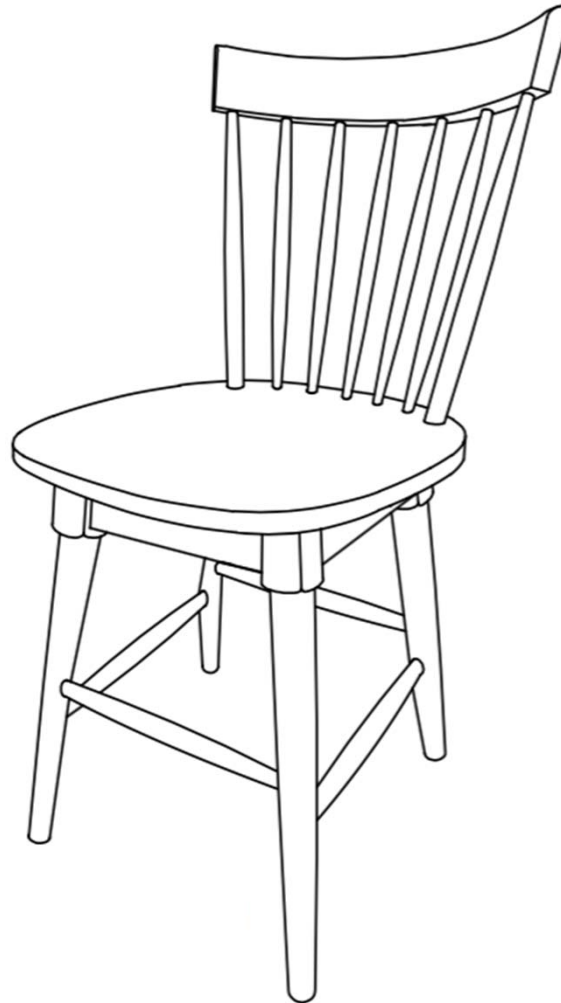
# CRAFT + MAIN

Assembly Instructions >>>

PRODUCT DESCRIPTION: WINDSOR COUNTERSTOOL / WINDSOR BARSTOOL

Item # CHP09086CW, CHP09086CG, CHP09086CB

Item # CHP09086PW, CHP09086PG, CHP09086PB



Customer Service Department.  
8:30 a.m.– 5:00 p.m. EST, M-F  
E-Mail: [customerservice@foremostgroups.com](mailto:customerservice@foremostgroups.com)  
Toll Free: (800) 443-1410  
Fax: (973) 428-8026

**IMPORTANT  
RETAIN FOR FUTURE REFERENCE  
READ CAREFULLY**

**Congratulations on your purchase from Craft + Main™.**

### **FOR YOUR SAFETY**

Please read instructions carefully and thoroughly before assembling.

**DO NOT** use this product if it is damaged or broken.

Adult assembly is required.

Keep plastic bags and small parts away from children.

Safely discard all packing materials.

Check parts against the parts list to make sure you have all the parts needed for proper assembly.

Familiarize yourself with the inventory of parts and the accompanying illustrations to ensure safe and proper assembly. If you are missing parts or have any questions please contact our Customer Service Department.

E-Mail: [customerservice@foremostgroups.com](mailto:customerservice@foremostgroups.com)

8:30 a.m.– 5:00 p.m. EST, M-F

Toll Free : : (800) 443-1410

Fax: (973) 428-8026

Failure to tighten bolts may cause injury. **DO NOT** force components and over tighten the nuts during assembly.

### **USE AND MAINTENANCE**

Use on level surface only.

Please check assembly at regular intervals and frequently tighten hardware if necessary.

### **CLEANING INSTRUCTIONS**

Dust using a lint free cloth.

Clean the surface using damp cloth and mild dish washing liquid if necessary.

**DO NOT** use any cleaning product containing alcohol or ammonia.

These will dull the shiny surface of the product.

Furniture polish will also work to clean and dust off the surface.

We recommend that you test all cleaning materials on the underside of any surface that would not be seen during normal use of product.

## **PARTS LIST**

(1) : STOOL SEAT AND BACK



## **HARDWARE LIST**

(A) : ALLEN BOLT  
QTY: 4 PC



(B): SPRING WASHER  
QTY: 4 PC



(C) : FLAT WASHER  
QTY: 4 PC



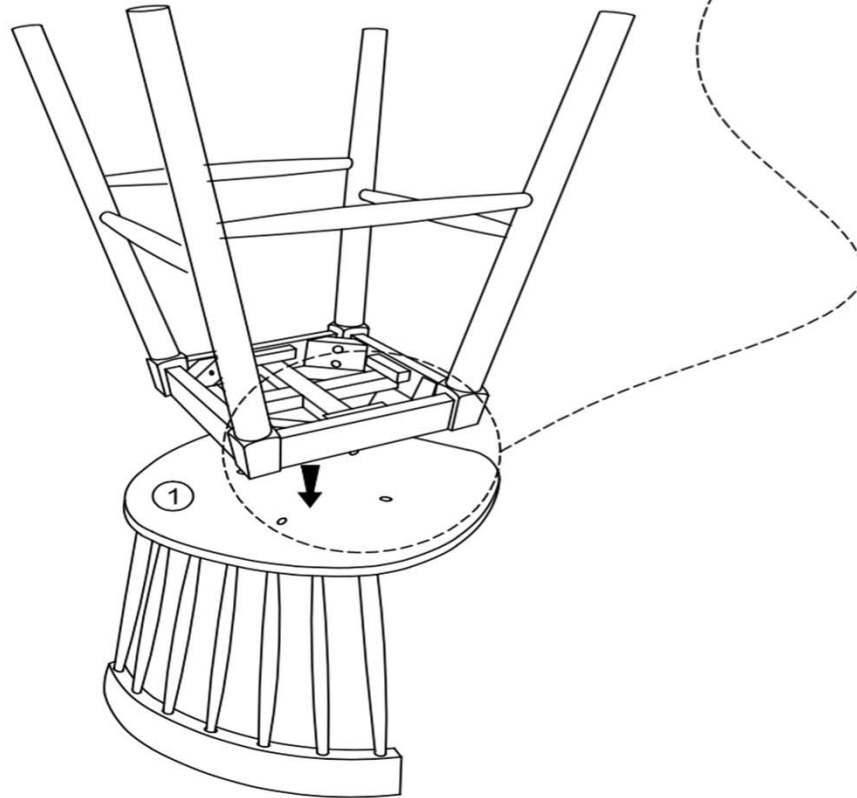
(D): ALLEN KEY  
QTY: 1PC



## ASSEMBLY

**ATTACH THE SWIVEL PLATE OF THE STOOL BASE (2) TO THE CHAIR SEAT AND BACK (1) USING FLAT WASHER (C), SPRING WASHER (B), AND ALLEN BOLT (A). TIGHTEN ALL BOLTS USING ALLEN KEY.**

THE SWIVEL PLATE IS ALREADY PRE-ATTACHED TO THE STOOL BASE (2), AND ONLY NEEDS TO BE ATTACHED TO THE CHAIR SEAT AND BACK (1). ENSURE TO TIGHTEN ALL BOLTS.



## WARRANTY

### 1 YEAR LIMITED WARRANTY FOR RESIDENTIAL USE ONLY

All Craft + Main product carries a limited one year warranty. The warranty covers manufacturer defects and does not cover normal wear or neglectful use. Craft + Main products are covered by this warranty when used in non-commercial, non-institutional residential use only. The warranty is in effect for the consumer for 1 year from the date of the purchase.

Foremost Groups Inc. must be notified of the defect and provided with a documented invoice. Any claimed defect will need to be verified by Foremost Groups Inc., and it is the sole discretion of Foremost Groups to either replace the item, or with a similar item of the same value if it the item is no longer available, repair, and/or issue credit for the merchandise. Inspection and/or digital images may be necessary.

The warranty is made to the retailer that purchased the goods from Foremost Groups, and is non-transferable.

The warranty is valid for 1 year from the date of purchase and proof of purchase (invoice) is required for all claims.

Cost of shipping is not covered unless specifically approved by Foremost Groups Inc.

#### **Exclusions to the warranty would include, but not be limited to:**

- Product Modifications
- Improper use
- Buyer's remorse
- Normal Wear and Use
- Assembly Damage
- Color Variations (due to the unique nature of finishes, stains, and paints, the color of a replacement items(s) may not match exactly).
- Accidental Damage
- Normal Fading or Color Changes that are inherent features to the wood
- Minor Irregularities in Distressed Finishes
- Weather Damage
- Close-out/Clearance Items

#### **For leather and upholstered furniture:**

All upholstered items are covered for a limited one year warranty against manufacturer defects. The limited warranty on upholstered items contains the same inclusions and exclusions as detailed above. Leather, as well as, many upholstered fabrics and materials will have slight color variations and would not be considered a manufacturer defect. Cushion's foam based substrates will soften with time and would also not be considered a manufacturing defect. Fading or discoloration resulting from exposure to the elements, chemical or from spills is not covered.

To obtain warranty service please contact Foremost Groups Customer Service Department toll free number at : (800) 443-1410 between the hours of 8:30 am and 5:00 pm EST, Monday thru Friday or fax your request to (973) 428-8026 or email us at [customersevice@foremostgroups.com](mailto:customersevice@foremostgroups.com) or visit our website at [www.craftandmain.com](http://www.craftandmain.com).