

Features

- Two-handle centerset faucet for 4-inch centers.
- Two lever handles offer separate control of hot and cold water.
- KOHLER ceramic disc valves exceed industry longevity standards, ensuring durable performance for life.
- Premium KOHLER finishes with ScratchShield® technology withstands even the toughest daily use.
- 1.2 gpm (gallons per minute) maximum flow rate.

Material

- Constructed with premium materials for durability and reliability.

Installation

- Simplified faucet assembly; mounting hardware requires no special tools.

Water Conservation & Rebates

- WaterSense®-labeled 1.2-gpm faucets use at least 45 percent less water than standard 2.2-gpm faucets while still meeting strict performance guidelines.
- This product can help a building earn Water Efficiency points in the LEED® Green Building Rating System.



ADA

CSA B651

OBC

Codes/Standards

ASME A112.18.1/CSA B125.1

NSF/ANSI 61

NSF/ANSI 372

All applicable US Federal and State material regulations

DOE - Energy Policy Act 1992

EPA WaterSense®

California Energy Commission (CEC)

ADA

ICC/ANSI A117.1

CSA B651



OBC

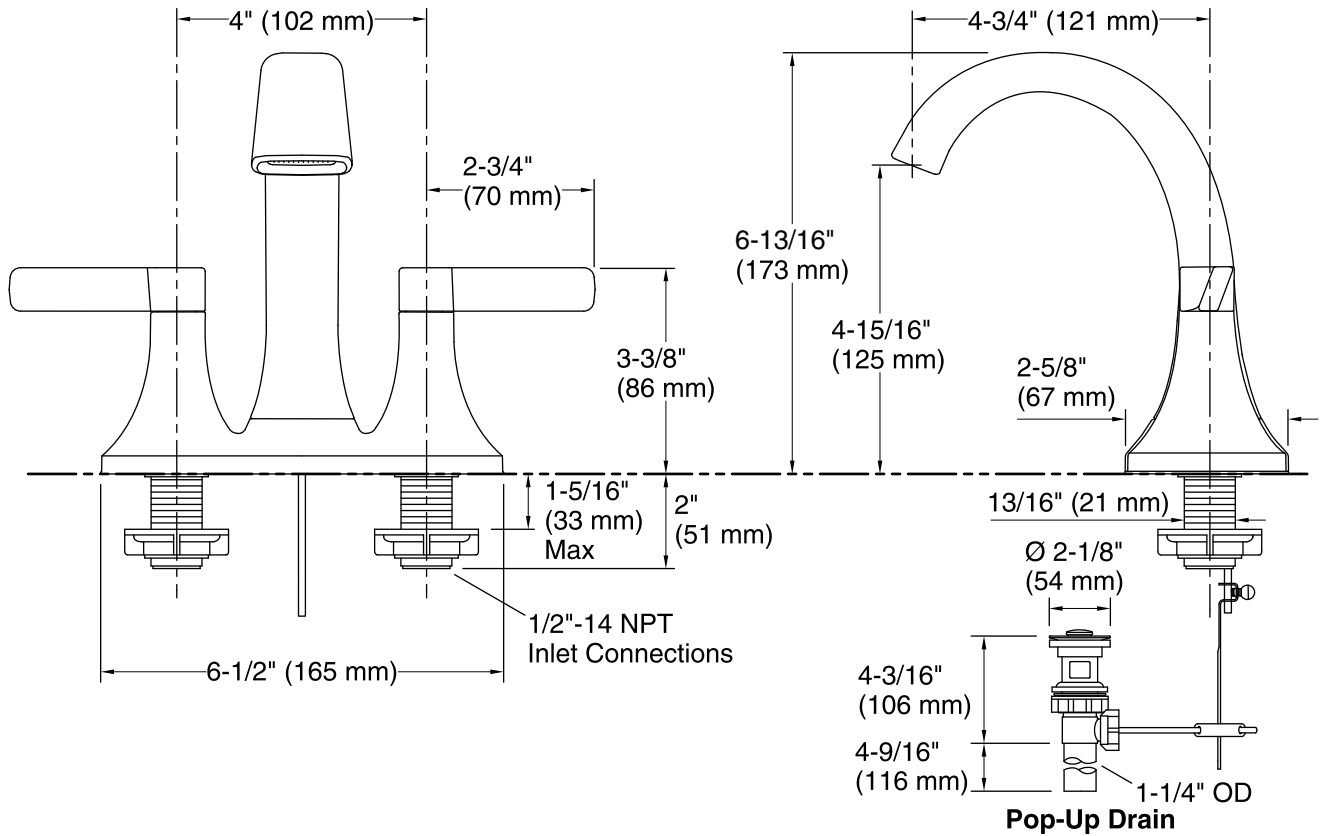
KOHLER® One-Year Limited Warranty

See website for detailed warranty information.

Available Color/Finishes

Color tiles intended for reference only.

Color	Code	Description
	CP	Polished Chrome
	BN	Vibrant® Brushed Nickel



Technical Information

All product dimensions are nominal.

Faucet:

Flow rate: 1.2 gal/min (4.5 l/min)
 Pressure: 60 psi (4.1 bar)
 Valve body: Plastic
 Drain included: YES
 Drain with overflow: YES

Spout:

Spout reach: 5-1/8" (130 mm)
 Handle clearance: 2-15/16" (75 mm)

Notes

Install this product according to the installation instructions.

ADA, OBC, CSA B651 compliant when installed to the specific requirements of these regulations.