

ST700 Series

Ascend™ Standard/Smart In-Wall Timers

The ST700 Series In-Wall Timers offer intuitive programming at the device or with the Ascend Smart In-Wall Timer mobile app. The ST700 series allows for up to 42 events per week, featuring Astronomic and automatic Daylight Saving Time.

Features

- 7-day timer with up to 42 events per week
- Large, easy to read backlit LCD screen
- Automatic Daylight Saving Time adjustment
- Astronomic ON/OFF at Dusk or Dawn
- Three pre-programmed templates for ease of scheduling
- Fully customizable scheduling
- Non-replaceable Lithium CR2032 Battery. In case of power loss date and time will be stored
- Schedule held in non-volatile memory
- Replaces single-pole or 3-way switches in a variety of applications
- Neutral required

STW700W additional features:

- Ascend Mobile App allows for quick scheduling and set up
- Wi-Fi Connectivity
- Remote Access
- Voice Control Platform Integration

Ratings

Switch Ratings:

General Purpose:	15 A, 120 VAC, 50/60 Hz
Tungsten:	8 A, 120 VAC, 50/60 Hz
Inductive:	15 A, 120 VAC, 50/60 Hz
Electronic Ballast//LED:	5 A, 120 VAC, 50/60 Hz
LED Load:	600 W
Motor:	1 HP, 120 VAC
Dimensions:	2 3/4" x 1 3/4" x 1 2/8"
Warranty:	Limited 3-year

Project: _____

Location: _____

Product Type: _____

Contact/Phone: _____

Model #: _____



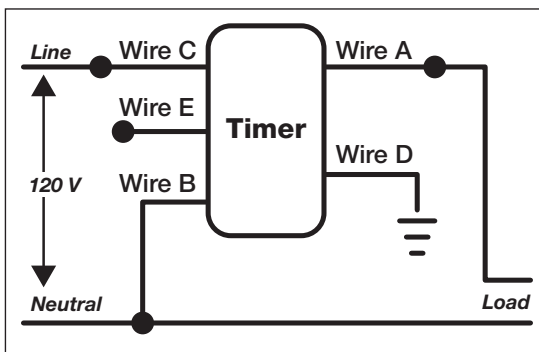
Model Number	Communication Enabled	Switch	Manual Override	Neutral Required	Battery Backup	Color
ST700W	No	Single-Pole/3-Way*	Yes	Yes	Yes	White
STW700W	Yes	Single-Pole/3-Way*	Yes	Yes	Yes	White



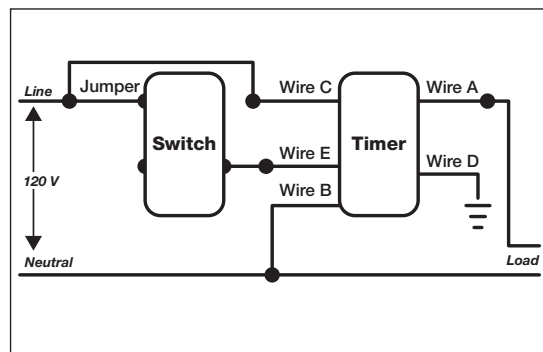
Specification

The timer shall be a solid state electronic control, capable of permitting 42 event settings to be distributed through a 7-Day time period, plus one Astro ON and one Astro OFF setpoint per day. The time-of-day event settings shall be programmable to the nearest minute with a minimum ON duration of 1 minute and a maximum ON duration of 6 days, 23 hours, 59 minutes. The timer shall have a digital LCD to show mode, current on/off status, day and time and next event (STW700W shows icons in upper right hand corner to depict current communication status). The timer shall provide a manual override control for both temporary and permanent overrides. The timer shall operate over a temperature range of 32°F to 104°F (0°C to 40°C). User program selections are stored in a non-volatile memory. Switch configuration to be SPST with a UL listed rating of: General Purpose: 15 A, 120 VAC, 50/60 Hz; Tungsten: 8 A, 120 VAC, 50/60 Hz; Inductive: 15 A, 120 VAC, 50/60 Hz; Electronic Ballast: 5 A, 120 VAC, 50/60 Hz; Motor: 1 HP, 120 VAC. The timer must fit in a standard wall box and accept a rectangular decorator wall plate. Timer contacts shall make or break current according to user adjustable program. The timer shall be Intermatic model _____ (ST700W)(STW700W).

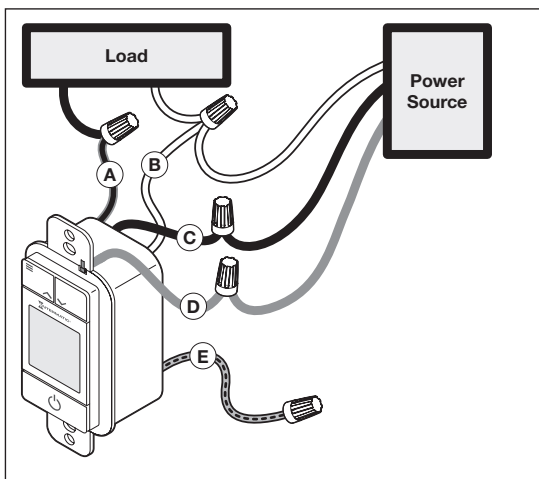
Diagrams



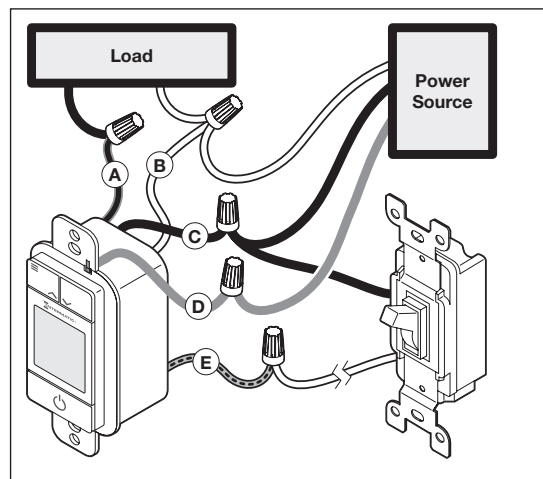
Single-Pole Wiring



Three-Way Wiring



A	Blue — Connects to black wire from Load
B	White — Connects to white (neutral) wire from Load and Power Source
C	Black — Connects to black (hot) wire from Power Source
D	Green — Connects to ground
E	Red — Not used in single-pole installations



A	Blue — Connects to black wire from Load
B	White — Connects to white (neutral) wire from Load and Power Source
C	Black — Connects to black (hot) wire from Power Source
D	Green — Connects to ground
E	Red — Connects through remote switch to black (hot) wire from Power Source