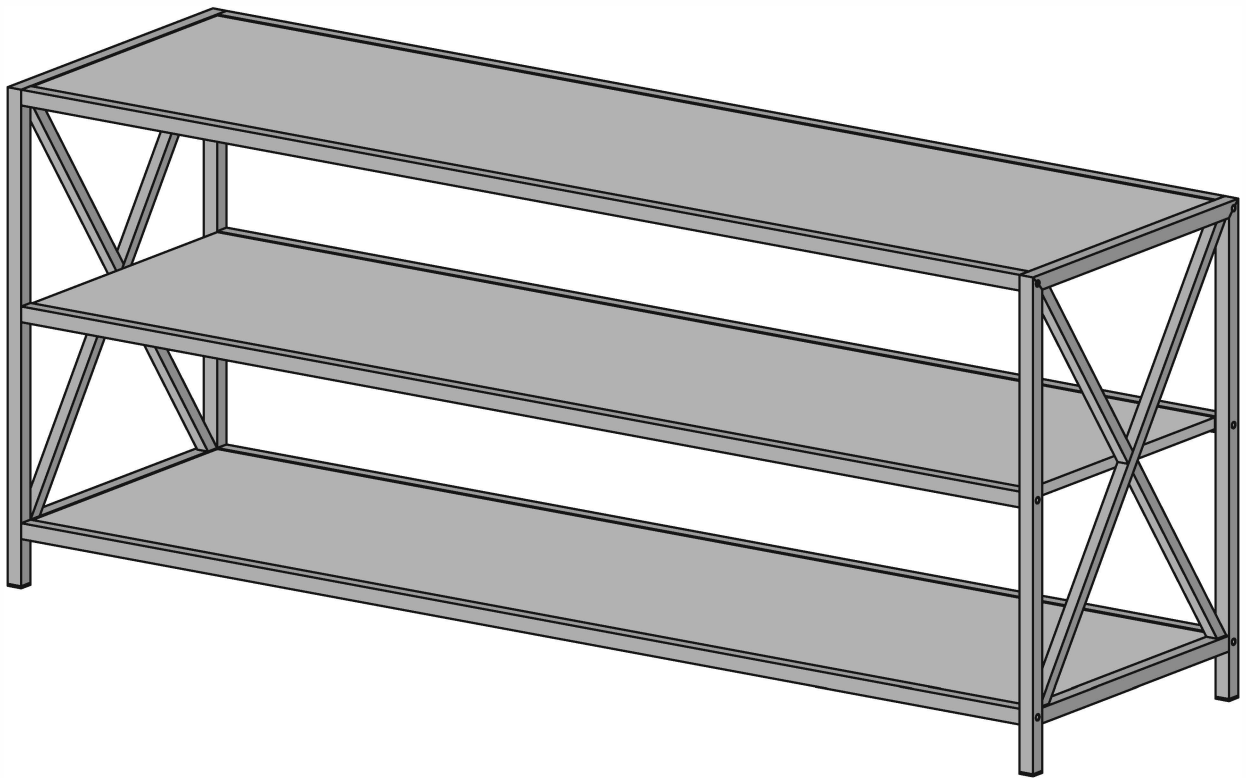


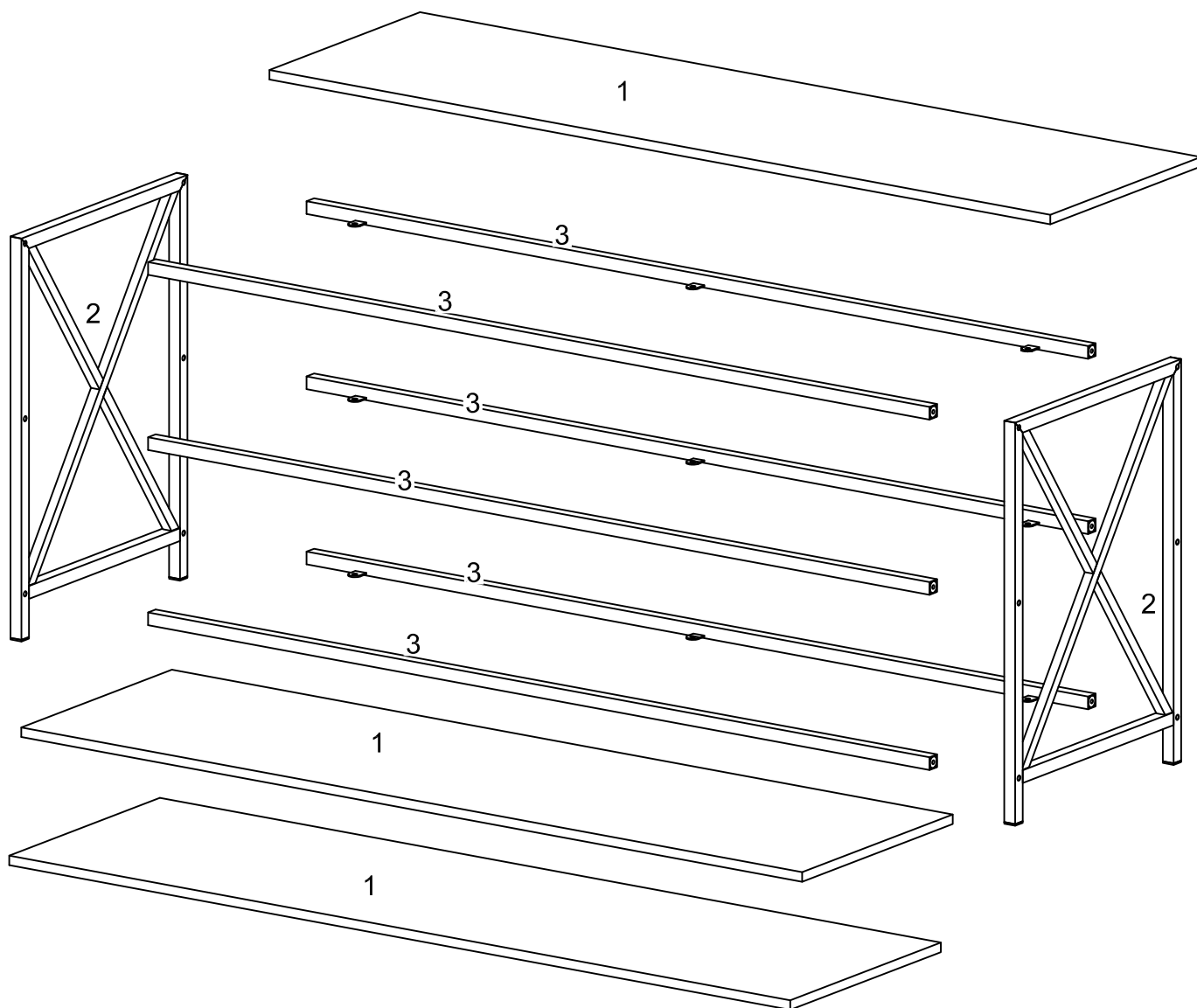
Item # : BS60XMW
Assembly Instructions






Please visit our website for the most current instructions, assembly tips, report damage, or request parts. www.walkeredison.com

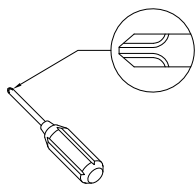
Revised 03/2017

Parts List



Hardware List

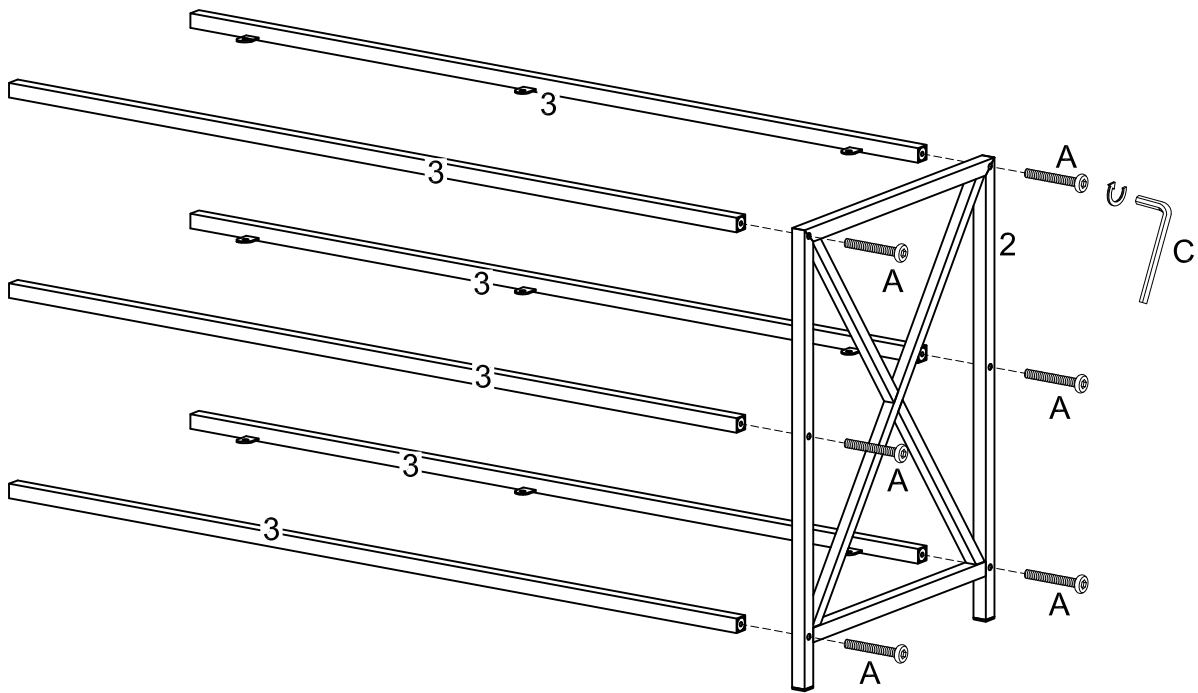
A		Ø1/4"x12mm	Bolt	18 pcs
B		Ø1/4"x30mm	Bolt	12 pcs
C		M4x55	Wrench	1 pc



Philips head screwdriver required for assembly
(not included)

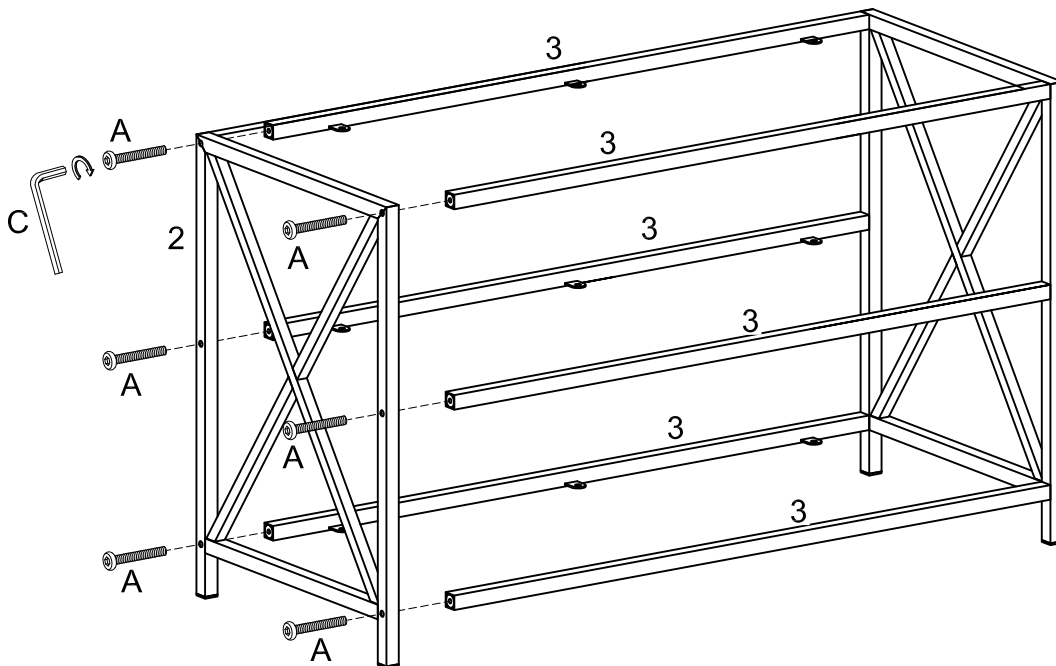
*The hardware quantities listed above are required for proper assembly.
Some extra hardware may also have been included.*

Step 1



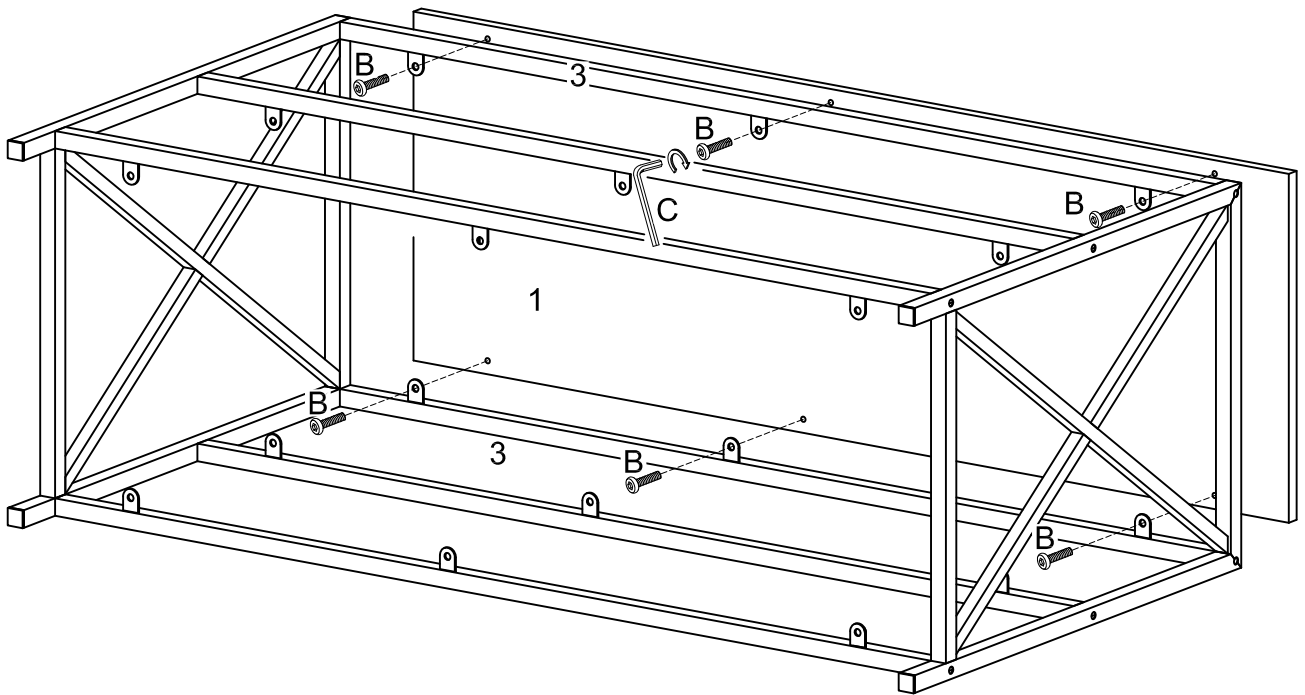
Use Wrench (C), Bolt (A) to secure the Support Bar (3) to the Side Frame (2).

Step 2



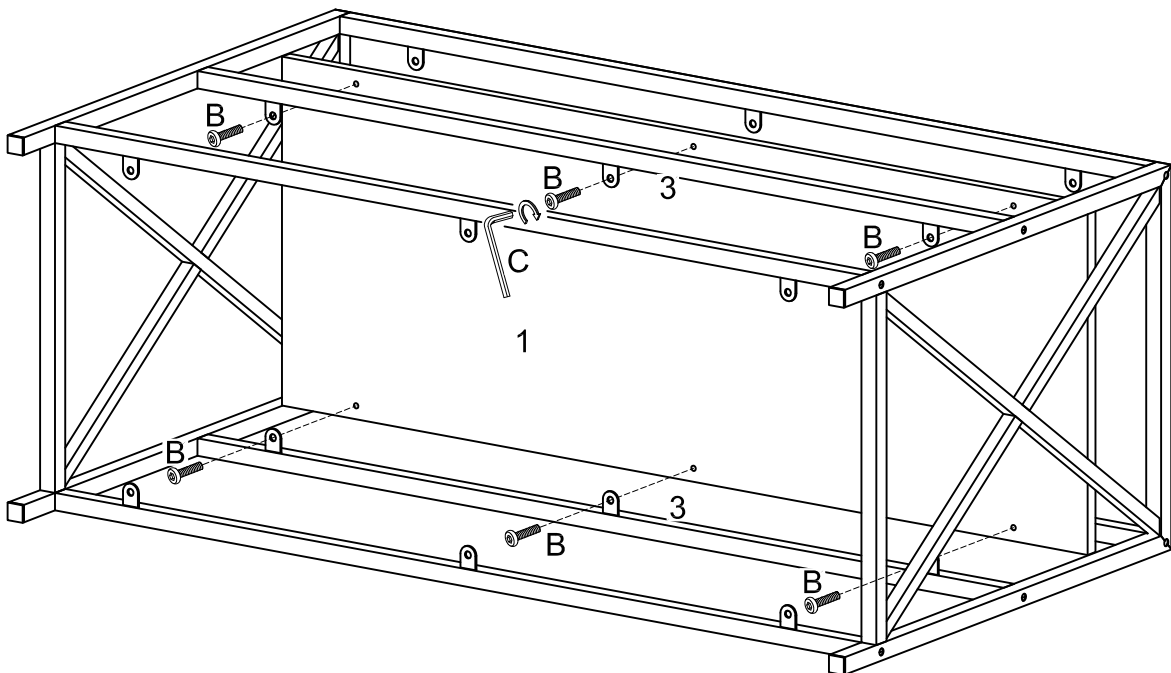
Use Wrench (C), Bolt (A) to secure the Support Bar (3) to the Side Frame (2).

Step 3



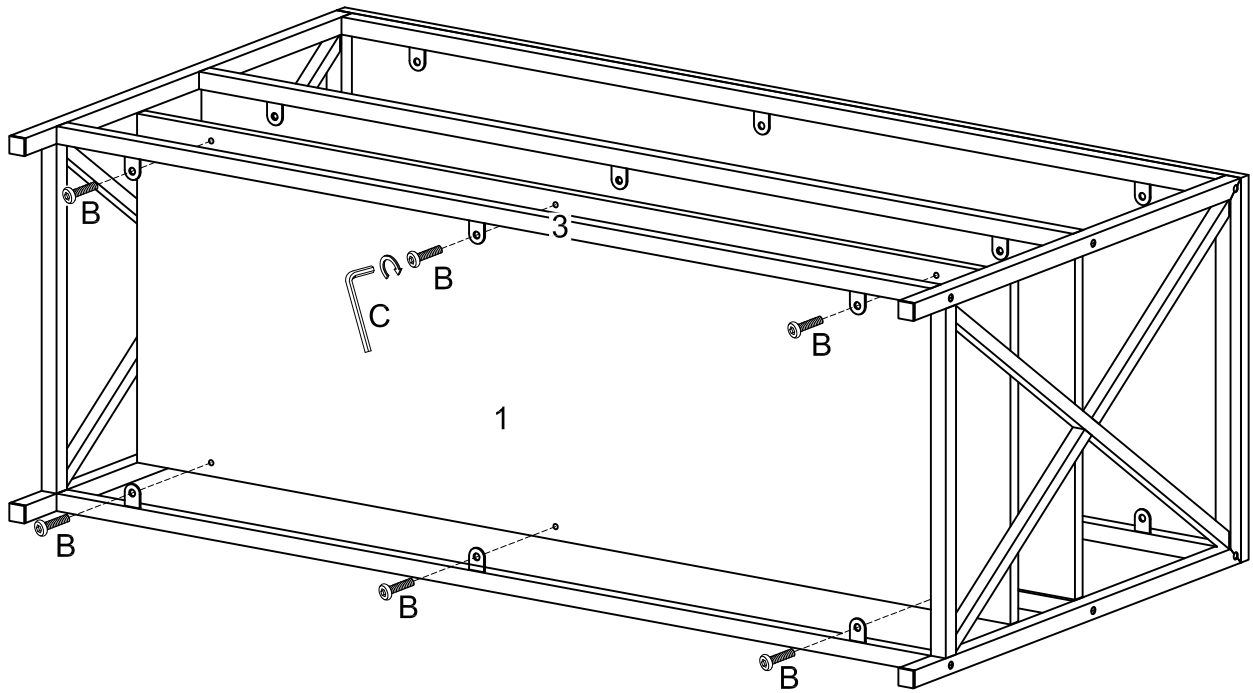
Use Wrench (C), Bolt (B) to secure the Support Bar (3) to the Top Panel (1).

Step 4



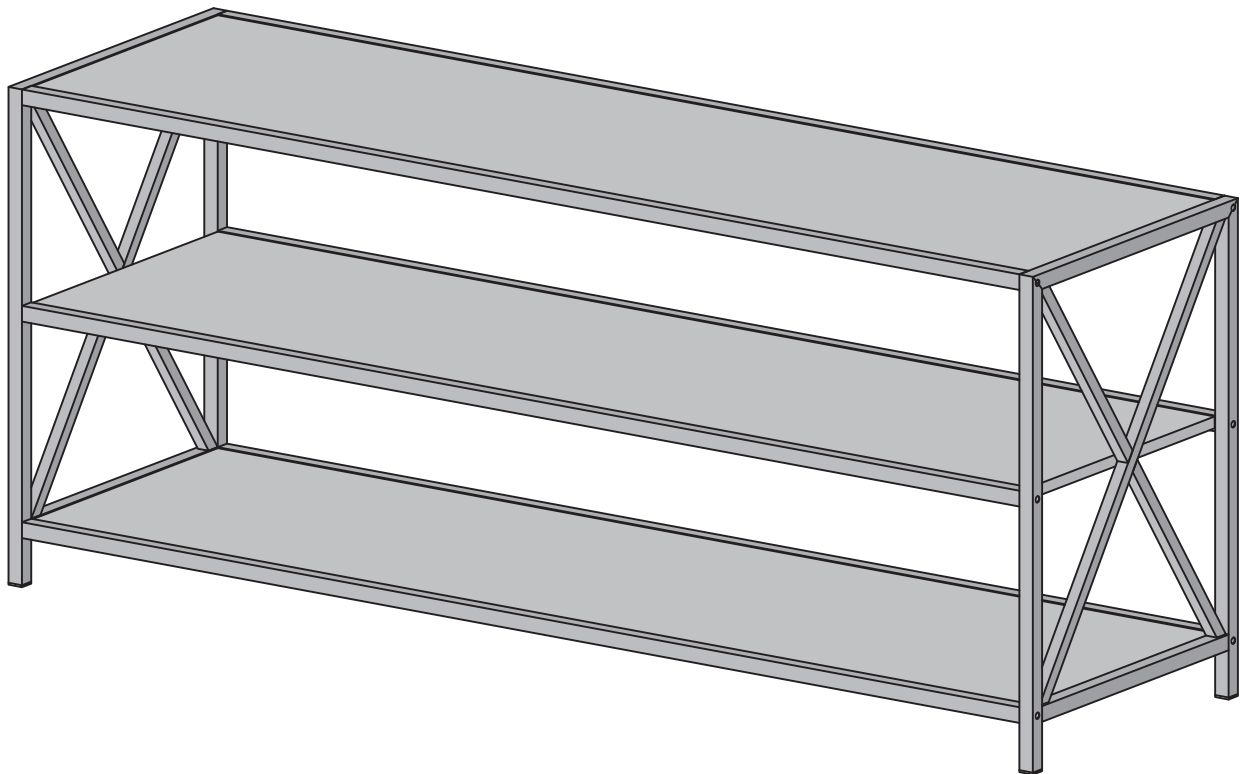
Use Wrench (C), Bolt (B) to secure the Support Bar (3) to the Shelf (1).

Step 5



Use Wrench (C), Bolt (B) to secure the Support Bar (3) to the Bottom Panel (1).

Step 6



Final Assembly