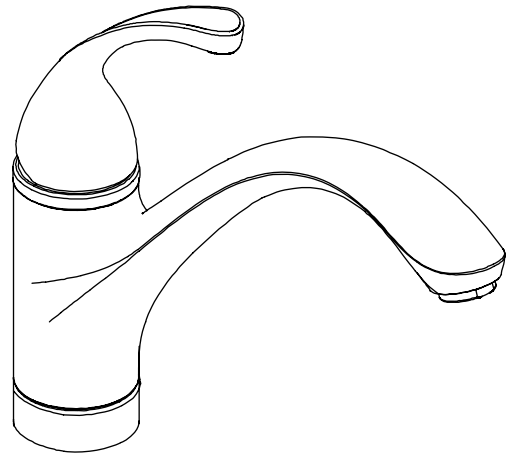


**KITCHEN SINK FAUCET  
K-10415**

ADA

**Features**

- Metal construction
- Single-hole mounting
- One-piece, self-contained ceramic disc valve allows both volume and temperature control
- Temperature memory allows faucet to be turned on and off at any temperature setting
- High-temperature limit setting for added safety
- 2.2 gallons (8.3 L) per minute maximum flow rate
- Lower flow aerator options are available (refer to the Kohler Price Book)
- Flexible supplies
- 9-1/16" (23 cm) swing spout reach
- 8-7/8" (22.5 cm) spout height



**Codes/Standards Applicable**

Specified model meets or exceeds the following:

- ASME A112.18.1/CSA B125.1
- NSF 61
- Energy Policy Act of 1992
- ADA
- IAPMO/cUPC

**Colors/Finishes**

- CP: Polished Chrome
- BN: Brushed Nickel
- Other: Refer to Price Book for additional colors/finishes

**Accessories**

- CP: Polished Chrome
- BN: Brushed Nickel
- Other: Refer to Price Book for additional colors/finishes

**Specified Model**

Model	Description	Colors/Finishes		
K-10415	Kitchen sink faucet	<input type="checkbox"/> CP	<input type="checkbox"/> BN	<input type="checkbox"/> Other ____
<b>Recommended Accessories</b>				
K-1893-C	Soap/lotion dispenser – transitional design	<input type="checkbox"/> CP	<input type="checkbox"/> BN	<input type="checkbox"/> Other ____
K-1894-C	Soap/lotion dispenser – traditional design	<input type="checkbox"/> CP	<input type="checkbox"/> BN	<input type="checkbox"/> Other ____
K-1895-C	Soap/lotion dispenser – contemporary design	<input type="checkbox"/> CP	<input type="checkbox"/> BN	<input type="checkbox"/> Other ____

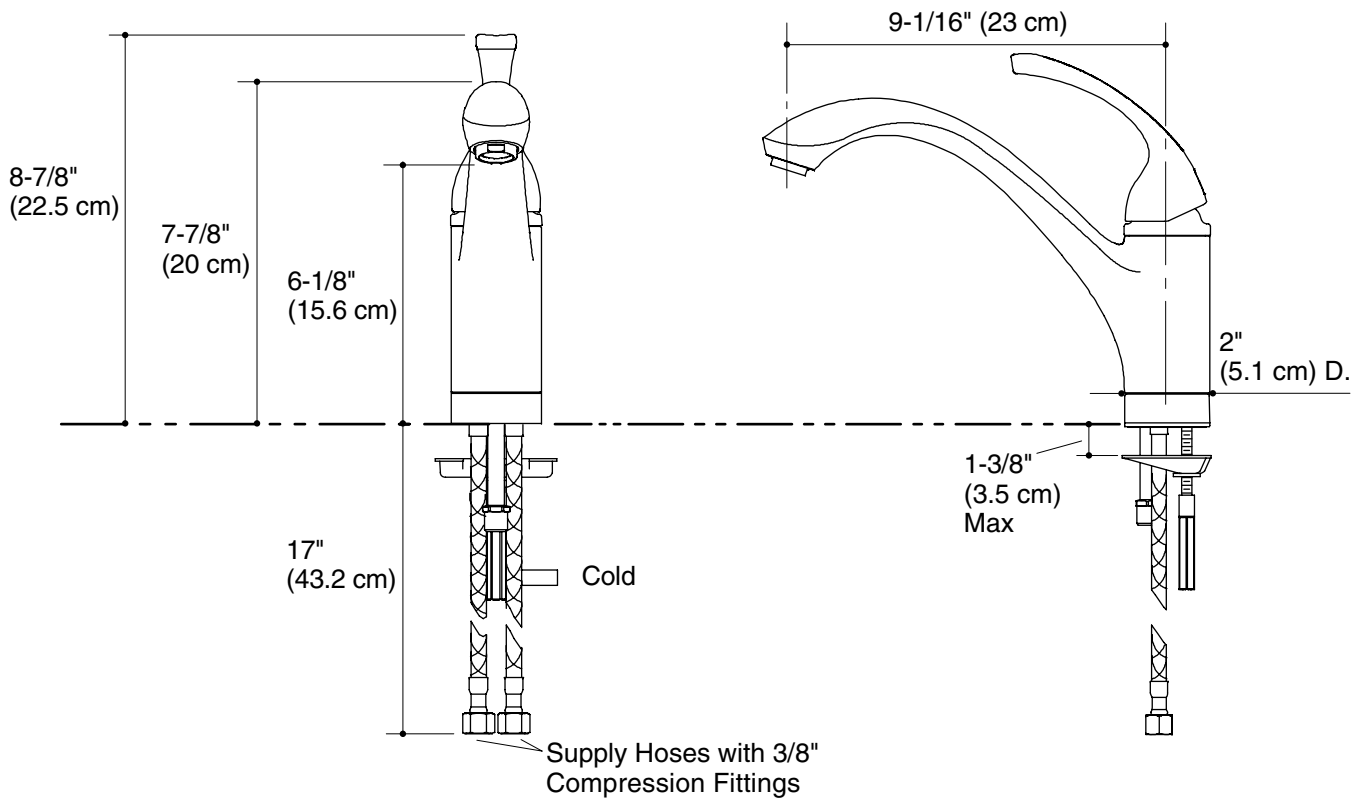
**PRODUCT SPECIFICATION**

Single-control kitchen sink faucet shall be of metal construction. Product shall feature a 9-1/16" (23 cm) swing spout reach and an 8-7/8" (22.5 cm) spout height. Product shall be for single-hole mounting. Product shall include an ADA compliant lever handle, flexible supplies, and a high-temperature limit stop for added safety. Product shall have a maximum flow rate of 2.2 gallons (8.3 L) per minute with lower flow aerator options available (refer to the Kohler Price Book). Product shall feature a one-piece, self-contained ceramic disc valve, which allows both volume and temperature control. Product shall feature temperature memory, allowing the faucet to be turned on and off at any temperature setting. Faucet shall be Kohler Model K-10415-\_\_\_\_.

# FORTÉ®

## Installation Notes

Install this product according to the installation guide.



**Product Diagram**