

## Product Care and Maintenance

- In order to clean the bathtub, please only use soft cotton cloth or soft sponge.
- Never use acidic, alkali, or any products that state on their label that they are not suitable for use on Acrylic, ABS, Polystyrene or Plastic to clean the bathtub.
- To clean inside, fill it with warm water and add a couple of squirts of dish liquid. Allow it to sit for 30 minutes. Let the bathtub drain and wipe away the residue. You can also use cleaning products in aerosol cans or solvents, including acetone to deep clean.
- To remove light marks / scratches apply toothpaste to the area and scrub with soft cloth/sponge.

## Owner's Manual & Installation Guide

---

---

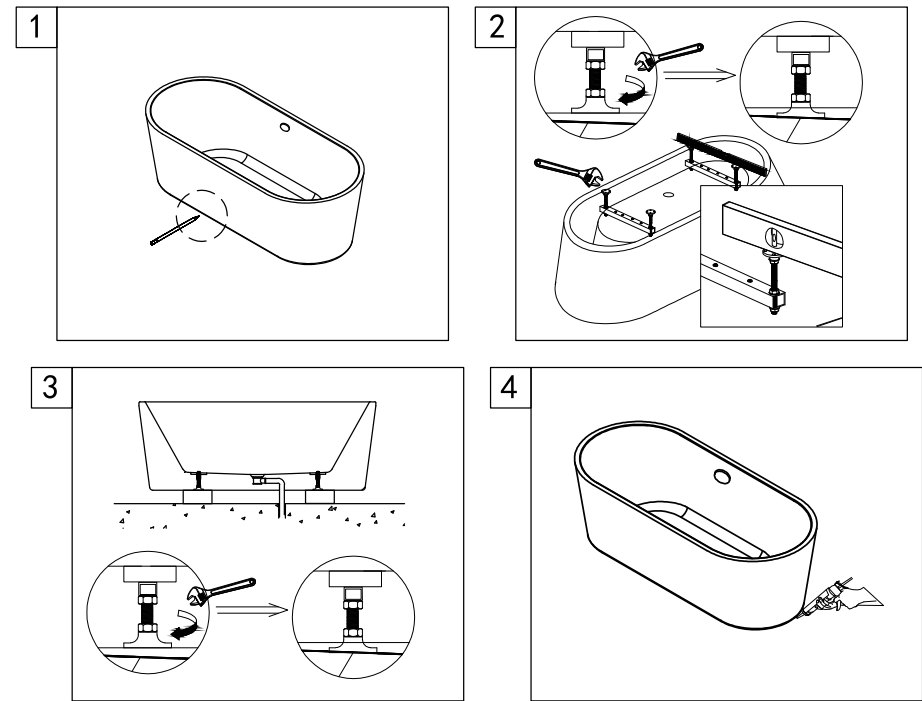
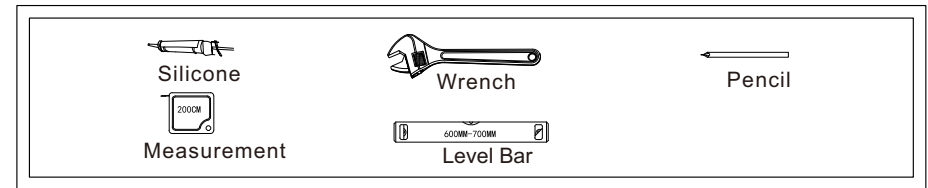
### Freestanding Bathtub



- Please read all instructions carefully before proceeding with installation.
- Due to the complexity of the installation procedure a professional plumber is required.
- Specifications and directions may change without notice.

## Table of Contents:

1. Installation Guide Applicable Bathtub Models .....	1
2. Internal Drain Configuration.....	2
3. Internal Drain and Overflow Installation .....	3
4. Deck Mount Faucet Capability .....	4
5. Bathtub Installation .....	5
6. Product Care and Maintenance .....	6

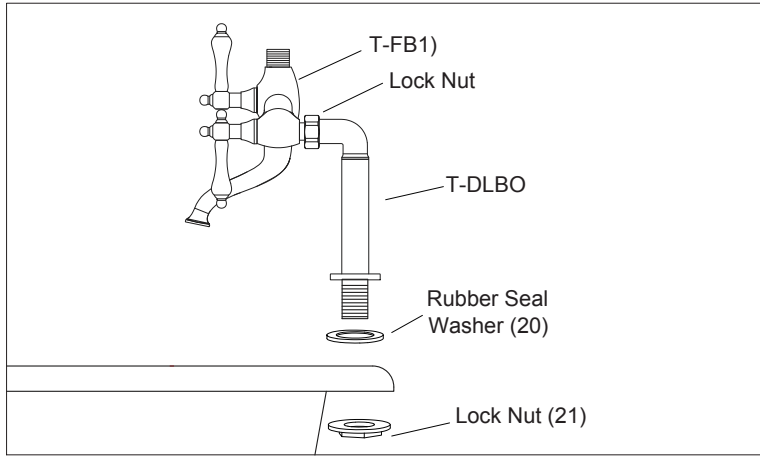


1. Move the bathtub into the desired location and mark on the floor along bathtub's bottom.
2. Set the bathtub upside down on a nonabrasive surface. Loosen the nuts and washers from the metal frame. Adjust the leveling feet to align with bathtub's bottom as well as level the tub with the floor and then tighten the washers and nuts.
3. Move the bathtub back into the desired location and put the drain hose into the floor drain.
4. Apply silicone along the bottom of the bathtub to create airtight seal.

# Deck Mount Faucet Capability

These Bathtubs are Deck Mount Faucet Capable with Additional Alterations:

N-240-60FSWH-FM    N-300-59FSWH-FM



**Step 1:**  
If your tub does not have faucet holes use 1" hole saw and drill holes in the deck centered across the overflow hole on 8" centers.

**Step 2:**  
Insert faucet through holes in tub rim with #20 seal washer above the deck and secure with #21 lock nut.

**Note:**  
Faucet is not provided. These instructions simply show how to prepare your bathtub for deck mount faucet if it has that capability.

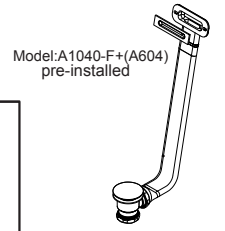
Please ensure all local plumbing and building codes are observed when installing these faucets.

Water supply lines must be roughed in at 8" centers.

12

# Installation Guide Applicable Bathtub Models

Drain Models A1040-F+(A604)-are used with below bathtub models



Freestanding Bathtub									
N-140-60FSWH-FM	N-160-60FSWH-FM	N-260-66FSWH-FM N-261-62X30FSWH-FM N-262-58FSWH-FM N-263-62X31FSWH-FM	N-300-59FSWH-FM N-301-69FSWH-FM	N-320-60FSWH-FM N-321-70FSWH-FM					
N-360-62FSWH-FM N-361-67FSWH-FM	N-380-63FSWH-FM N-381-67FSWH-FM N-382-71FSWH-FM	N-420-63FSWH-FM N-421-67FSWH-FM N-422-70FSWH-FM	N-540-62FSWH-FM N-541-67FSWH-FM N-542-70FSWH-FM	N-560-59FSWH-FM N-561-67FSWH-FM N-562-71FSWH-FM	N-580-62FSWH-FM N-581-66FSWH-FM	N-620-63FSWH-FM			
N-640-59FSWH-FM	N-660-59FSWH-FM N-661-67FSWH-FM	N-680-59FSWH-FM N-681-67FSWH-FM	N-700-59FSWH-FM N-701-67FSWH-FM	N-760-63FSWH-FM	N-780-59FSWH-FM N-781-67FSWH-FM	N-800-67FSWH-FM N-801-59FSBL-FM N-802-67FSBL-FM N-803-59FSWH-FM N-804-59FSBLU-FM			
N-840-59FSWH-FM N-841-67FSWH-FM	N-880-59FSWH-FM N-881-63FSPRWH-FM N-882-67FSBL-FM	N-940-75FSWH-FM	N-980-67FSWH-FM	N-1000-71FSWH-FM	N-1040-59FSWH-FM N-1041-67FSWH-FM	N-1200-67FSWH-FM N-1201-59FSWH-FM			
N-1220-67FSWH-FM N-1221-59FSWH-FM	N-1240-67FSWH-FM N-1241-59FSWH-FM	N-1260-67FSWH-FM N-1261-59FSWH-FM	N-1280-67FSWH-FM	N-1300-67FSWH-FM N-1301-59FSWH-FM	N-1320-67FSWH-FM N-1321-59FSWH-FM	N-1340-67FSWH-FM			
N-1360-67FSWH-FM	N-1380-67FSWH-FM	N-1400-67FSWH-FM	N-1440-67FSWH-FM	N-1460-67FSWH-FM	N-1480-59FSWH-FM	N-1500-63FSWH-FM N-1501-67FSWH-FM			
N-1540-67FSWH-FM									

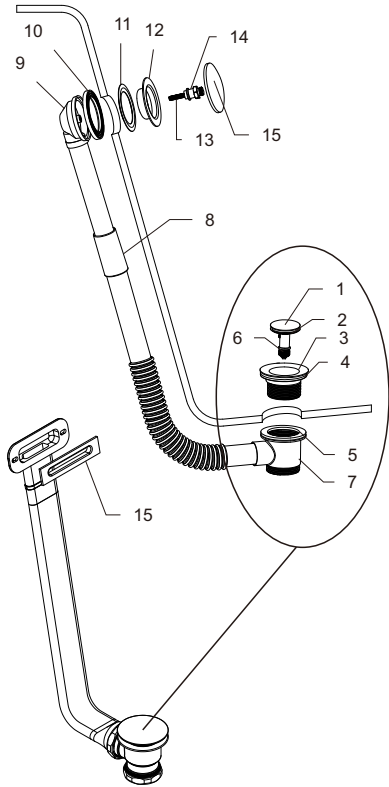
Drain Models A1040-C are used with below bathtub models

N-240-60FSWH-FM	N-460-63FSWH-FM	N-720-60FSWH-FM N-721-67FSWH-FM	N-740-67FSWH-FM N-741-63FSWH-FM	
N-280-59FSWH-FM N-281-67FSWH-FM	N-820-59FSWH-FM N-821-63FSWH-FM N-822-67FSWH-FM	N-1160-59FSWH-FM N-1161-59FSBL-FM	N-1180-59FSWH-FM	N-1420-67FSWH-FM
				N-1520-61FSWH-FM N-1521-65FSWH-FM N-1522-69FSWH-FM



# Internal Drain Configuration

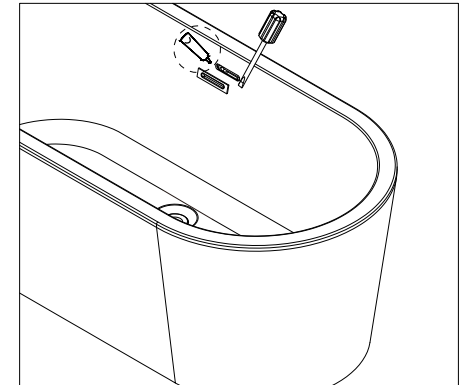
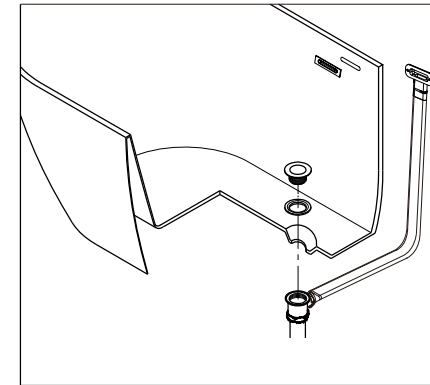
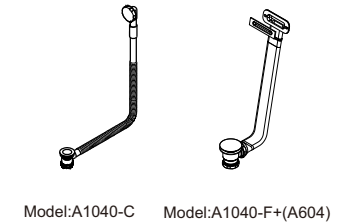
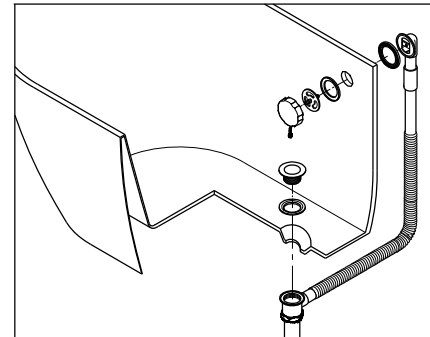
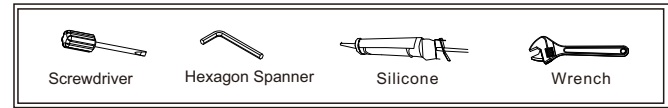
Model:A1040-C



No.	ITEM	Qty
1	Pop-up cover	1
2	O ring	1
3	Strainer	1
4	Rubber gasket	1
5	Flat rubber gasket	1
6	Cartridge	1
7	Tee	1
8	Coupling pipe	1
9	Overflow body	1
10	Backside gasket	1
11	Upper gasket	1
12	Strainer	1
13	Pin	1
14	Pin bolt	1
15	Overflow plate	1

Model:A1040-F+(A604)

# Internal Drain and Overflow Installation



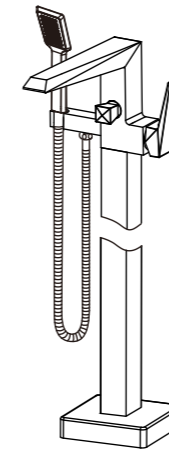
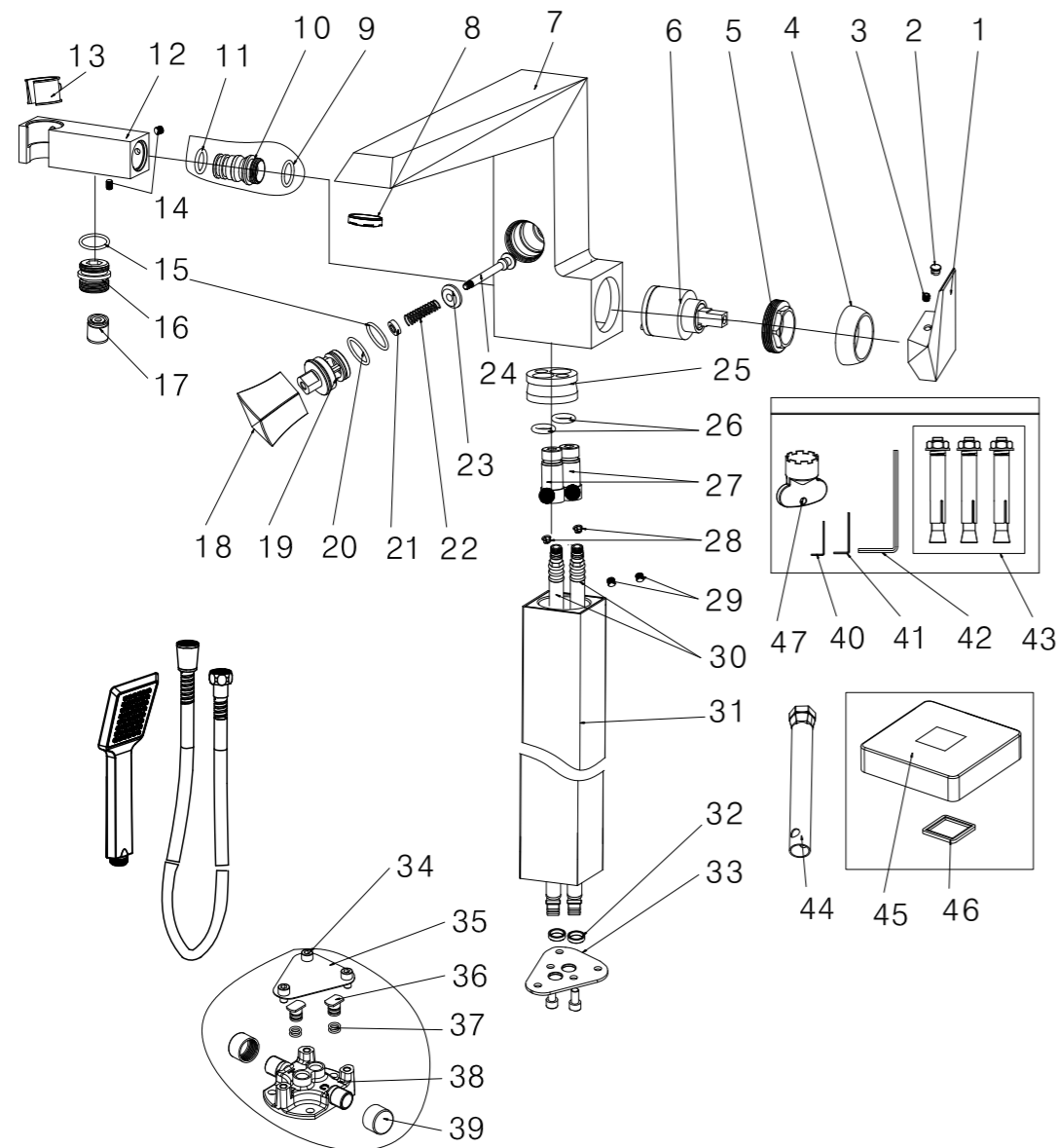
- Note:
1. The drain might have already been installed by the manufacturer before shipment.
  2. This drawing is showing how the drain connects to the bathtub only.

**Step 4 Cleaning and care**

Daily cleaning and care are required in order to keep the product shining and properly working.

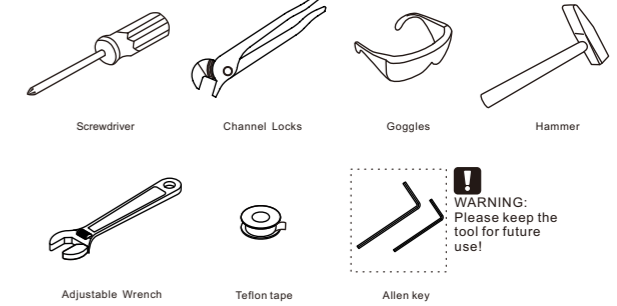
- 1 Clean it with water and dry it with soft cloth.
- 2 Clean the product with gentle liquid or glass cleaner.
- 3 Don't use acid cleaner.
- 4 Don't clean with abrasive material, abrasive paper or knife.

**Step 5 Parts list**



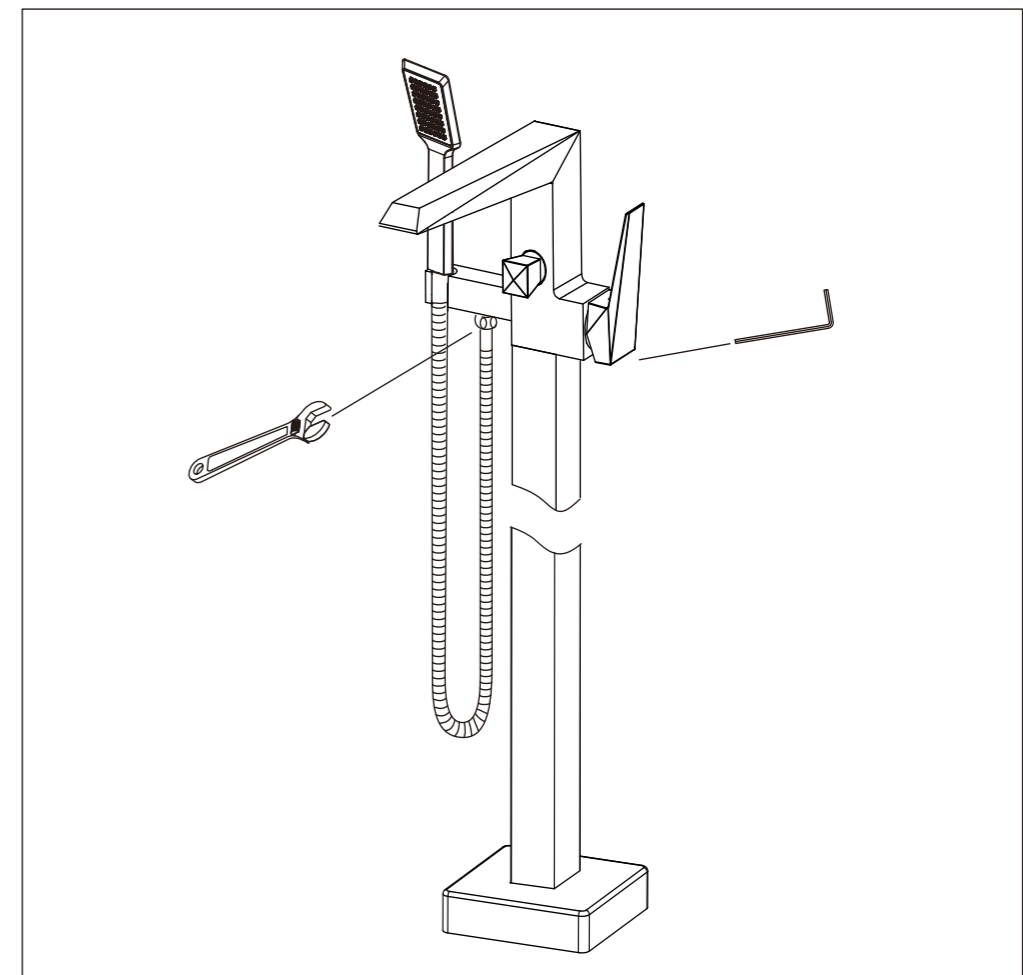
**SINGLE HANDLE FREESTANDING TUB&SHOWER FAUCET**

**RECOMMENDED TOOLS**



**Attention:**  
for easy installation, you will need:  
1. To read all the installation instruction completely before beginning.  
2. To read all the warning, attention and maintenance information.

**The tools might be applied to the following places:**



## Step 1 Faucet installation

<p><b>1</b></p>	<p><b>2</b></p>	<p><b>3</b></p>
<p>Drill one hole of 130mmX130mm max and drill 3 holes with 80mm diameter as shown.</p>	<p>Align the base① with the holes exactly as shown.</p>	<p>Insert the expansion anchors① into the holes on the base② with a hammer,tighten with adjustable wrench.</p>

<p><b>4</b></p>	<p><b>5</b></p>	<p><b>6</b></p>
<p>Tighten the shower holder① into faucet body④ with a screw② and Allen key③.</p>	<p>Connect hot and cold supply lines and test by opening water lines.</p>	<p>If there are no leaks, remove the 3 screws (1) with the Allen key (2), then remove plate (3) and nuts (4) as shown.</p>

<p><b>7</b></p>	<p><b>8</b></p>	<p><b>8</b></p>
<p>Connect hot water flexible hose(1) and cold water flexible hose(1) to the base (2) correctly as shown.</p>	<p>Insert 3 screws (1) into holes on the plate(2), tighten with allen key(3).</p>	<p>Put down cover (1) and complete installation.</p>

## Step 2 Checking and testing

<p><b>1</b></p>	<p><b>2</b></p>
<p>Remove the aerator ② with aerator wrench, take out the o-ring ① too. Turn the faucet handle all the way on, turn on hot and cold water supply and flush water lines for one minute. Reinstall aerator with aerator wrench.</p>	<p>Check all connections at arrows for leaks, re-tighten it if necessary.</p> <p><b>!</b> <b>BUT DON'T OVERTIGHTEN</b></p>

## Step 3 Maintenance

A. If there is splash or low flow rate, please remove the aerator with the wrench and clean the debris.

**1**

B. If faucet leaks from the handle or drips from spout, please replace cartridge following the following steps:

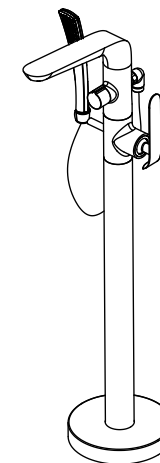
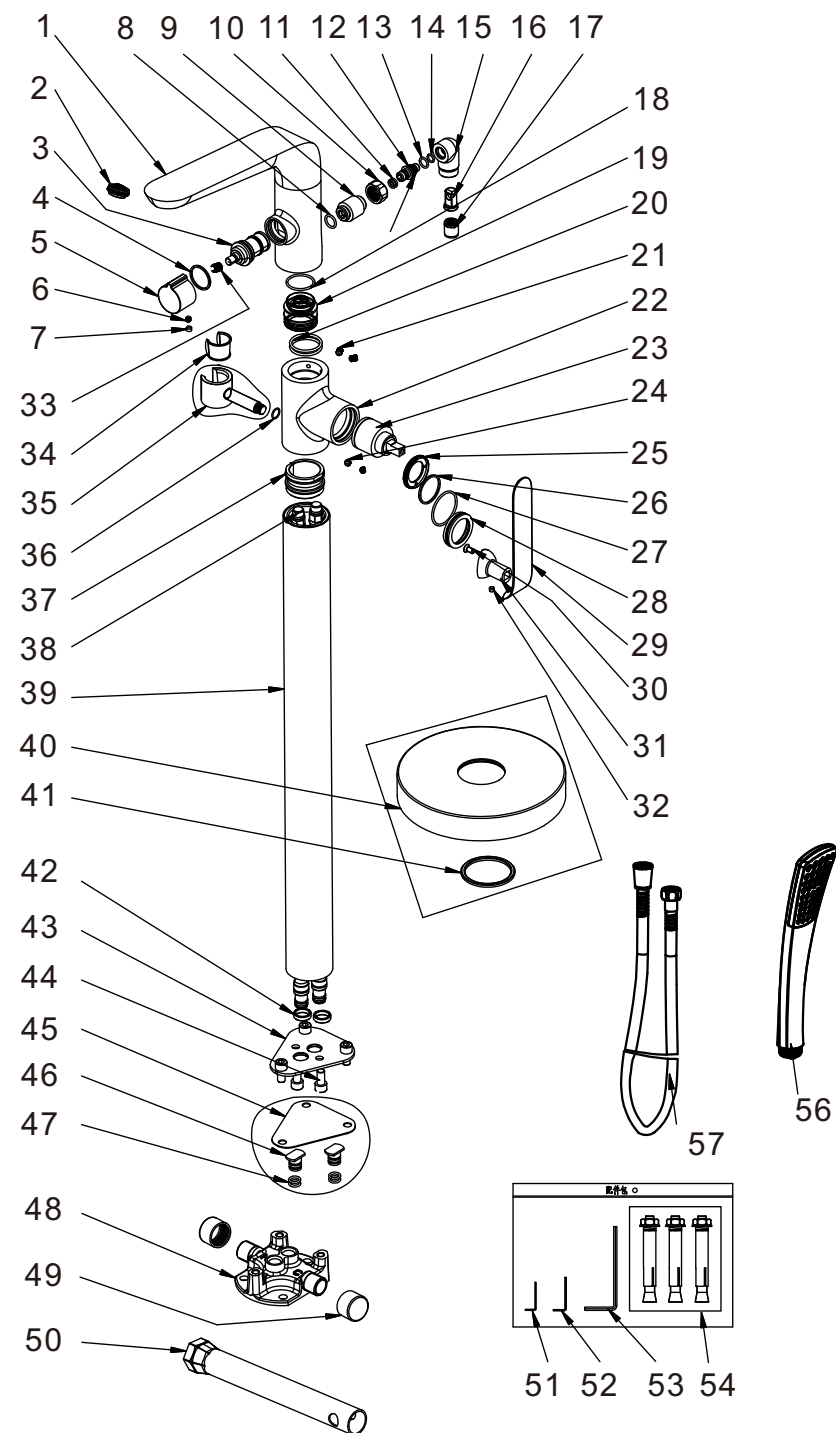
<p><b>1</b></p>	<p><b>2</b></p>	<p><b>3</b></p>
<p>Disassemble the screw② with allenkey①, take out the handle③, then remove the trim cap④.</p>	<p>Unscrew the cartridge nut① with adjustable wrench, then take out the old cartridge②.</p>	<p>Place a new cartridge in the cartridge seat, then screw the cartridge lock nut and assemble the handle by securing the screws. Repeat the above steps for the other cartridge if necessary.</p>

**Step 4 Cleaning and care**

Daily cleaning and care are required in order to keep the product shining and properly working.

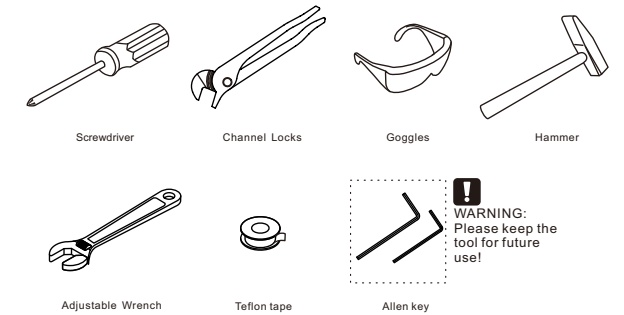
- 1 Clean it with water and dry it with soft cloth.
- 2 Clean the product with gentle liquid or glass cleaner.
- 3 Don't use acid cleaner.
- 4 Don't clean with abrasive material, abrasive paper or knife.

**Step 5 Parts list**



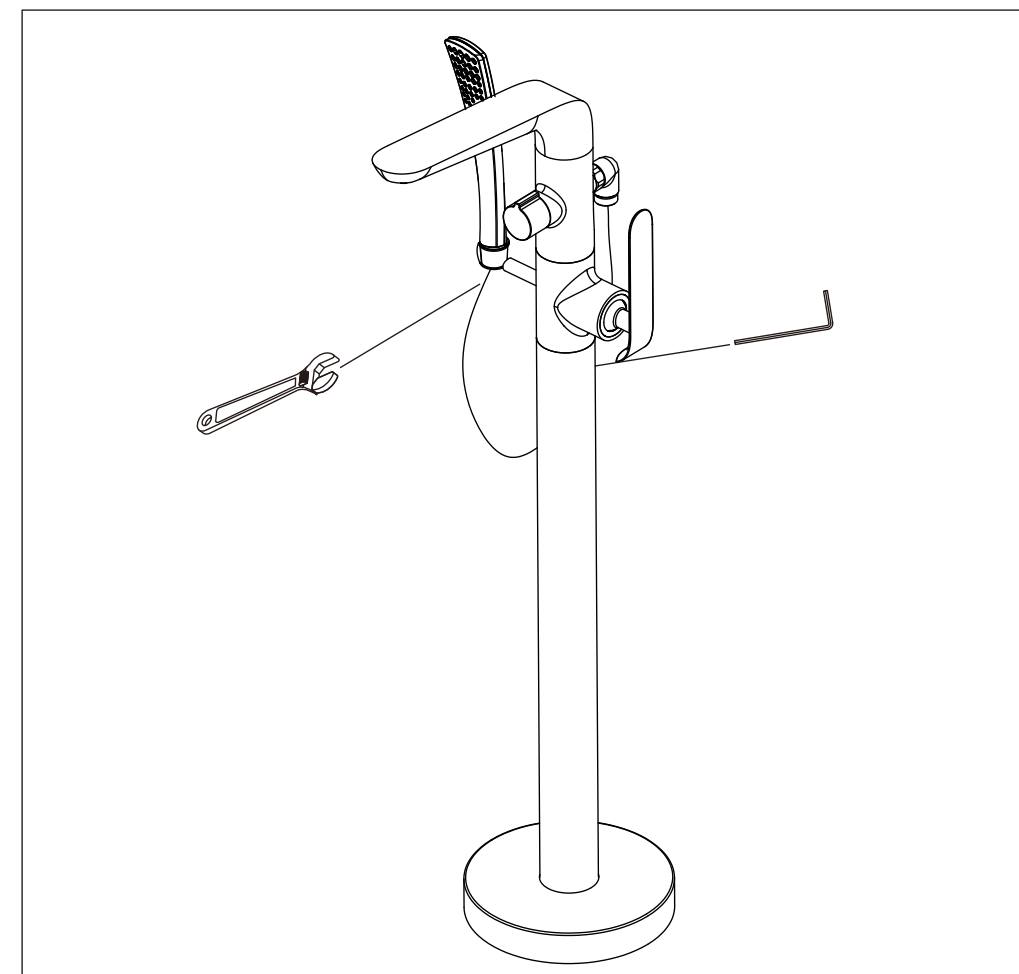
**SINGLE HANDLE FREESTANDING TUB&SHOWER FAUCET**

**RECOMMENDED TOOLS**

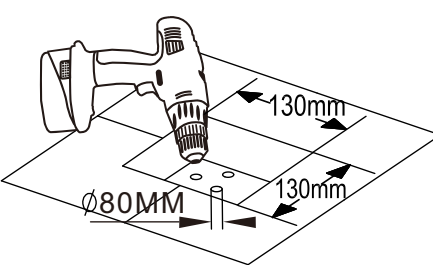
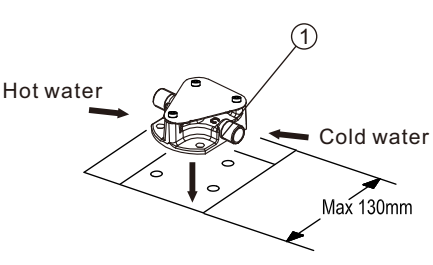
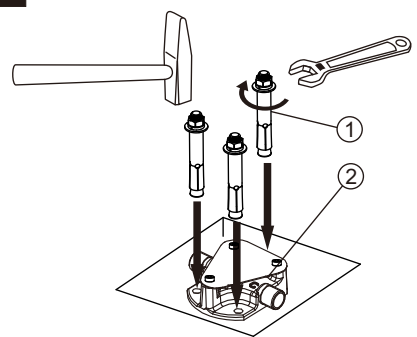


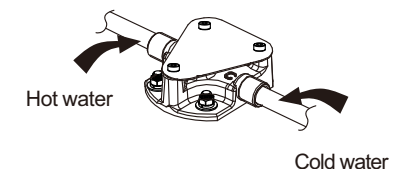
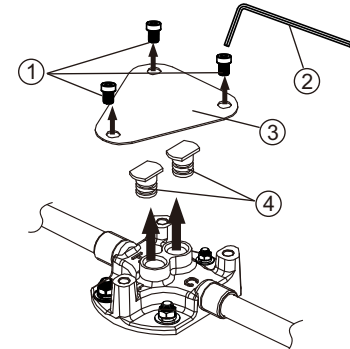
**Attention:**  
for easy installation, you will need:  
1. To read all the installation instruction completely before beginning.  
2. To read all the warning, attention and maintenance information.

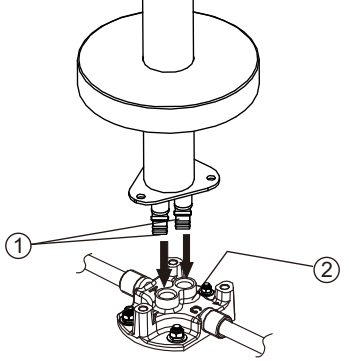
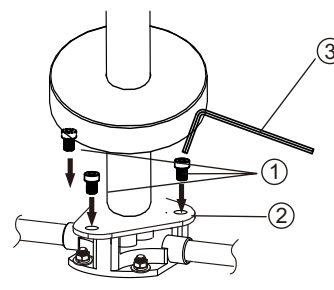
**The tools might be applied to the following places:**



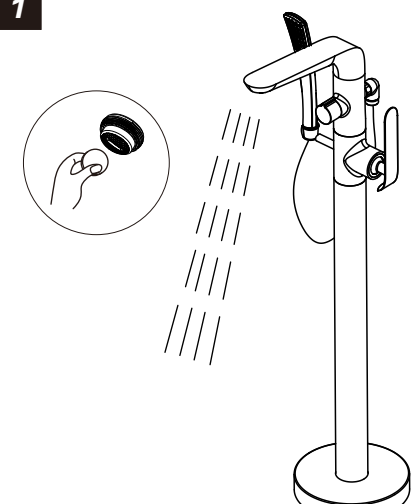
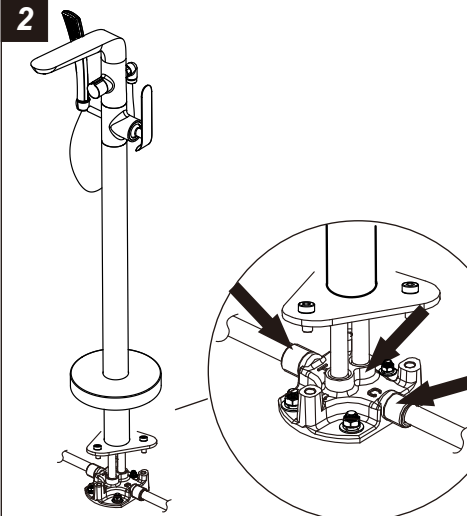
## Step 1 Faucet installation

<p><b>1</b></p> 	<p><b>2</b></p> 	<p><b>3</b></p> 
<p>Drill one hole of 130mmX130mm max and drill 3 holes with 80mm diameter as shown.</p>	<p>Align the base① with the holes exactly as shown.</p>	<p>Insert the expansion anchors① into the holes on the base② with a hammer, tighten with adjustable wrench.</p>

<p><b>4</b></p> 	<p><b>5</b></p> 
<p>Connect hot and cold supply lines and test by opening water lines.</p>	<p>If there are no leaks, remove the 3 screws (1) with the Allen key (2), then remove plate (3) and nuts (4) as shown.</p>

<p><b>6</b></p> 	<p><b>7</b></p> 
<p>Connect hot water flexible hose(1) and cold water flexible hose(1) to the base (2) correctly as shown.</p>	<p>Insert 3 screws (1) into holes on the plate(2), tighten with allen key(3).</p>

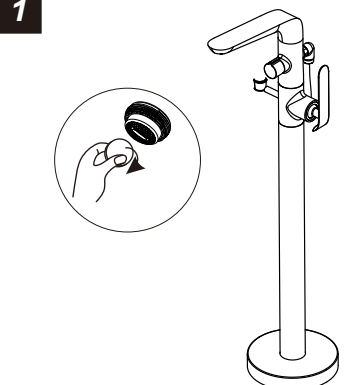
## Step 2 Checking and testing

<p><b>1</b></p> 	<p><b>2</b></p> 
<p>Remove aerator by coin and open the hot and cold water supplies. Check for leaks. Turn on faucet handle for one minute to flush debris from faucet.</p>	<p>Check all connections at arrows for leaks, re-tighten it if necessary.</p> <p><b>!</b> BUT DON'T OVERTIGHTEN</p>

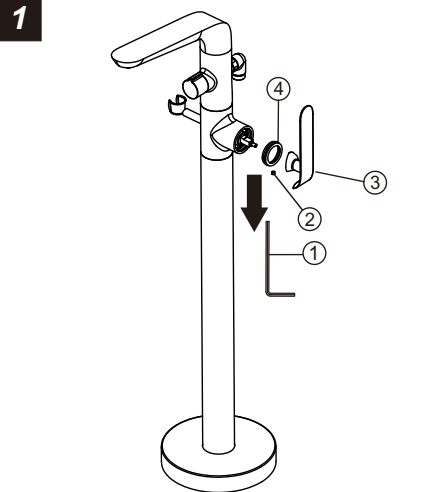
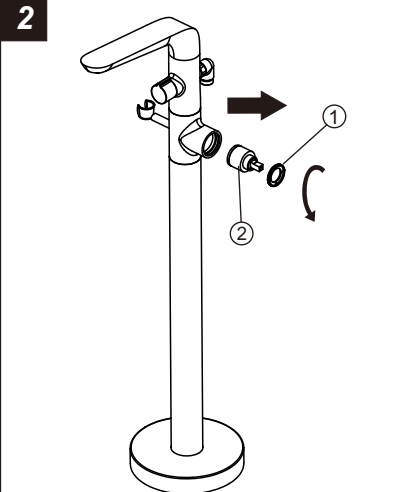
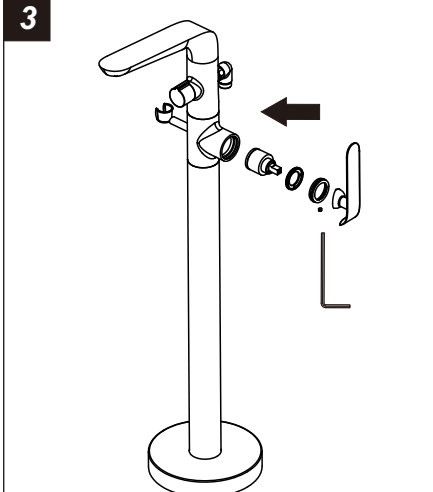
## Step 3 Maintenance

A. If there is splash or low flow rate, please remove the aerator with by coin and clean the debris.

**1**



B. If faucet leaks from the handle or drips from spout, please replace cartridge following the following steps:

<p><b>1</b></p> 	<p><b>2</b></p> 	<p><b>3</b></p> 
<p>Disassemble the screw② with allenkey①, take out the handle③, then remove the trim cap④.</p>	<p>Unscrew the cartridge nut① with adjustable wrench②, then take out the old cartridge②.</p>	<p>Place a new cartridge in the cartridge seat, then screw the cartridge lock nut and assemble the handle by securing the screws. Repeat the above steps for the other cartridge if necessary.</p>

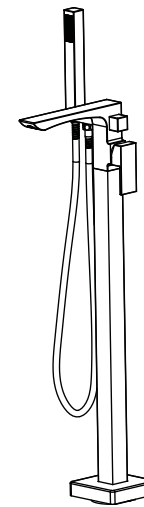
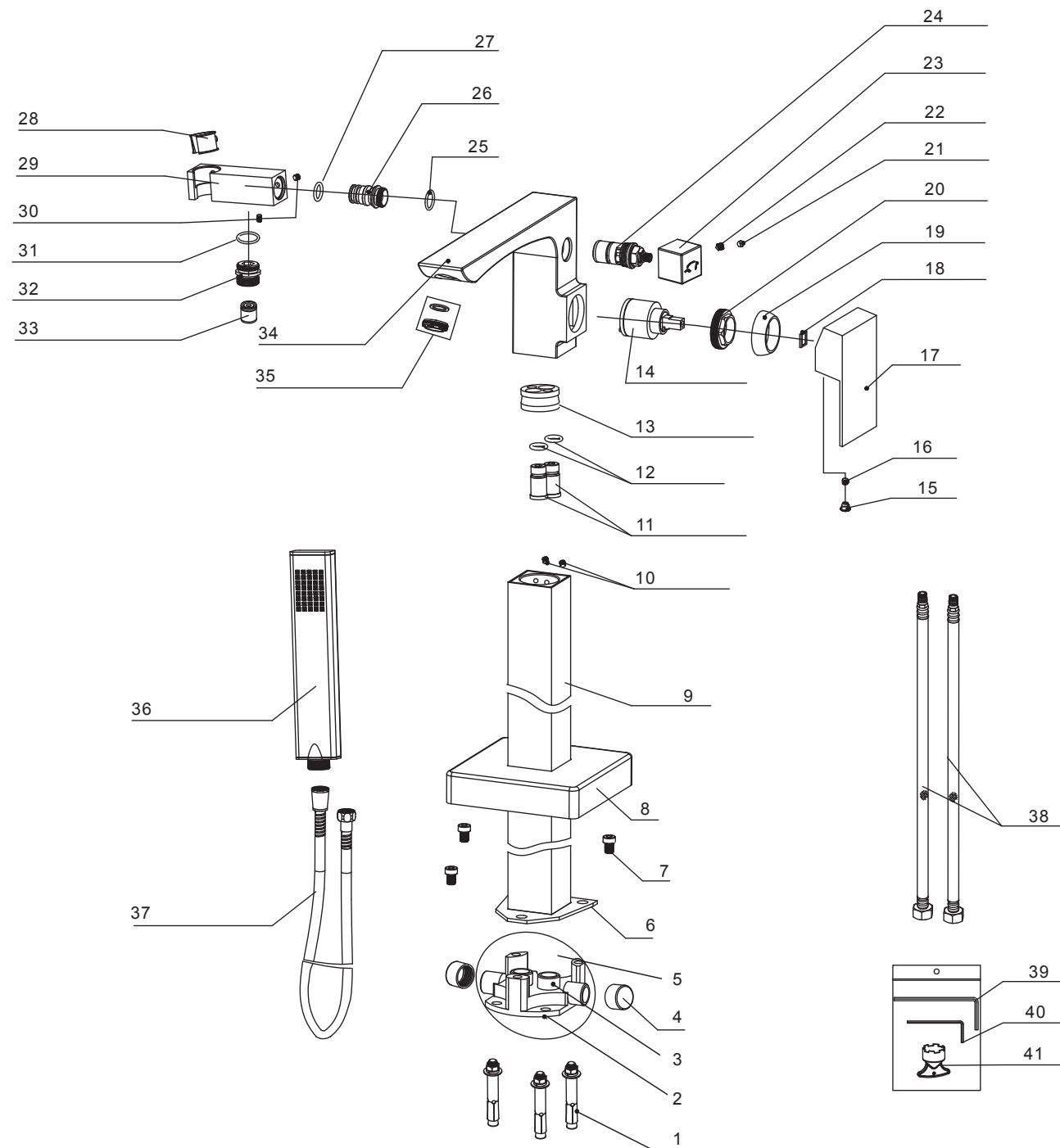


### Step 4 Cleaning and care

Daily cleaning and care are required in order to keep the product shining and properly working.

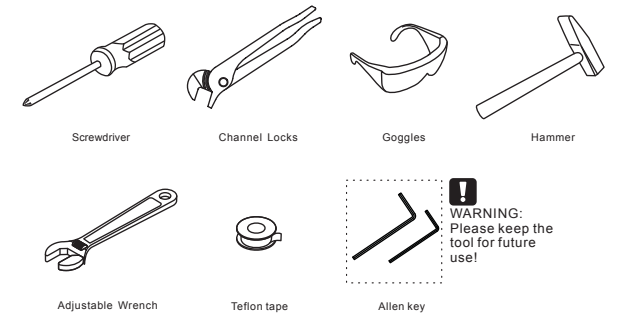
- 1 Clean it with water and dry it with soft cloth.
- 2 Clean the product with gentle liquid or glass cleaner.
- 3 Don't use acid cleaner.
- 4 Don't clean with abrasive material, abrasive paper or knife.

### Step 5 Parts list



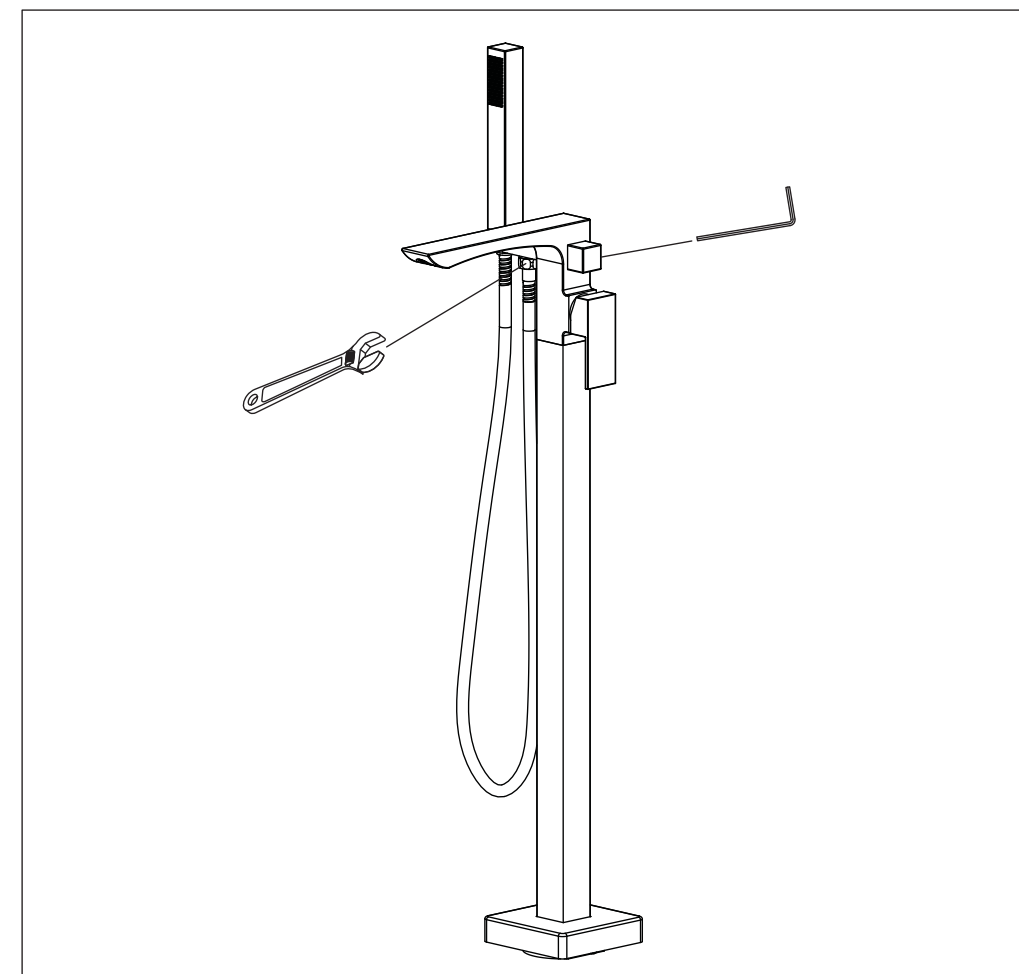
**SINGLE HANDLE FREESTANDING TUB&SHOWER FAUCET**

#### RECOMMENDED TOOLS

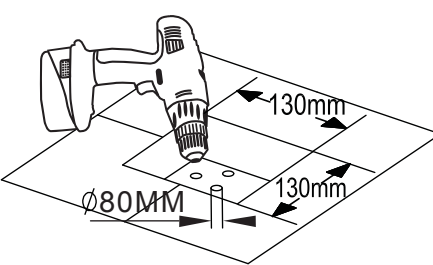
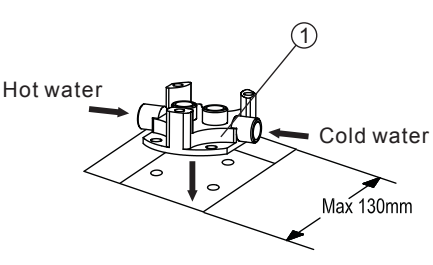
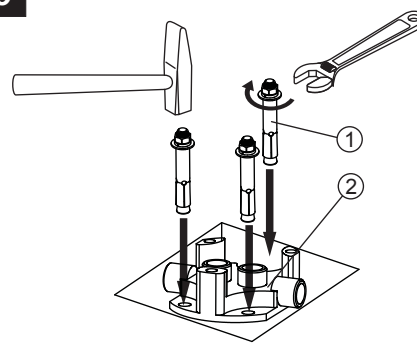


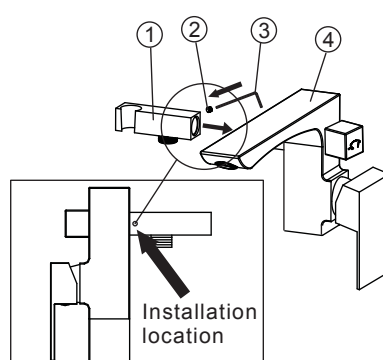
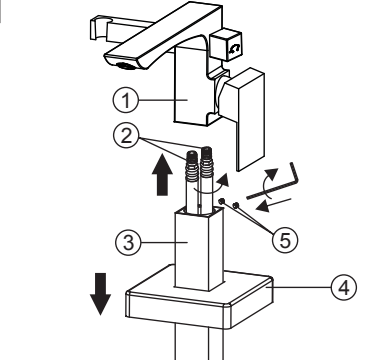
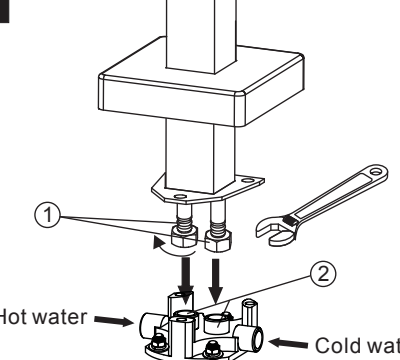
**Attention:**  
for easy installation, you will need:  
1. To read all the installation instruction completely before beginning.  
2. To read all the warning, attention and maintenance information.

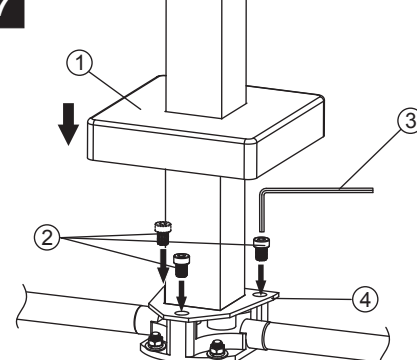
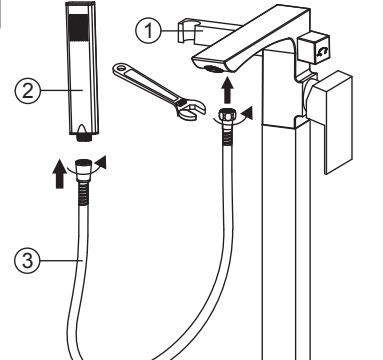
The tools might be applied to the following places:



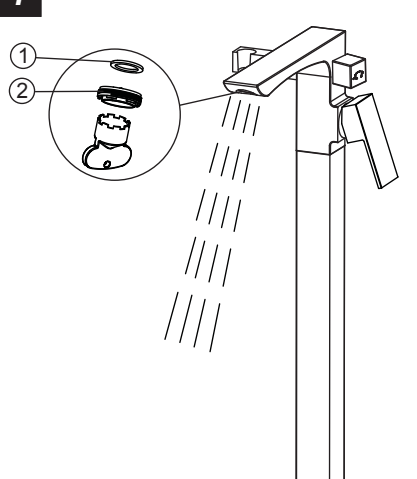
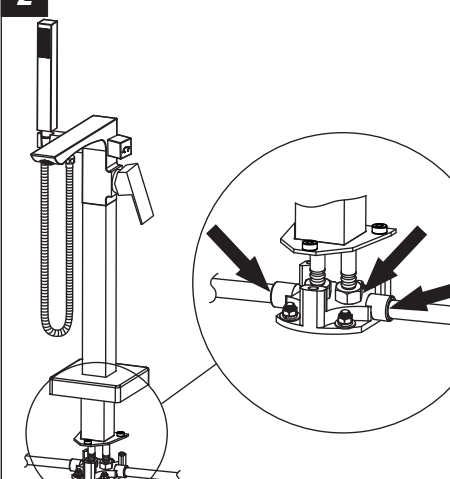
## Step 1 Faucet installation

<p><b>1</b></p> 	<p><b>2</b></p> 	<p><b>3</b></p> 
<p>Drill one hole of 130mmX130mm max and drill 3 holes with 80mm diameter as shown.</p>	<p>Align the base① with the holes exactly as shown.</p>	<p>Insert the expansion anchors① into the holes on the base② with a hammer, tighten with adjustable wrench.</p>

<p><b>4</b></p> 	<p><b>5</b></p> 	<p><b>6</b></p> 
<p>Tighten the shower holder① into faucet body④ with a screw② and Allen key③.</p>	<p>Slide the flange④ into the welded rack③ as shown, and connect the flexible hose② to the faucet body①, then assemble the welded rack③ to the faucet body① and fix it with screws⑤.</p>	<p>Connect flexible hose① to the connector② correctly as shown, tighten with adjustable wrench.</p>

<p><b>7</b></p> 	<p><b>8</b></p> 
<p>Insert 3 screws② into holes on the plate④, tighten with Allen key③. Cover it with flange①.</p>	<p>Assemble the shower hose③ to hand shower② and connector under the shower holder① as shown. Then finish the installation of the faucet.</p>

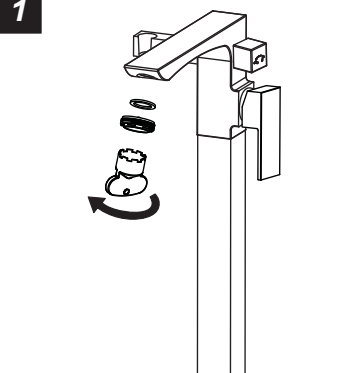
## Step 2 Checking and testing

<p><b>1</b></p> 	<p><b>2</b></p> 
<p>Remove the aerator ② with aerator wrench, take out the o-ring ① too. Turn the faucet handle all the way on, turn on hot and cold water supply and flush water lines for one minute. Reinstall aerator with aerator wrench.</p>	<p>Check all connections at arrows for leaks, re-tighten it if necessary.</p> <p><b>!</b> BUT DON'T OVERTIGHTEN</p>

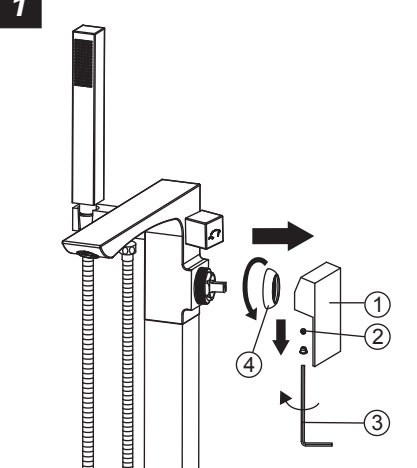
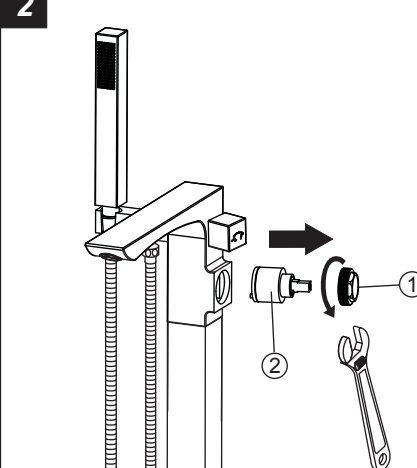
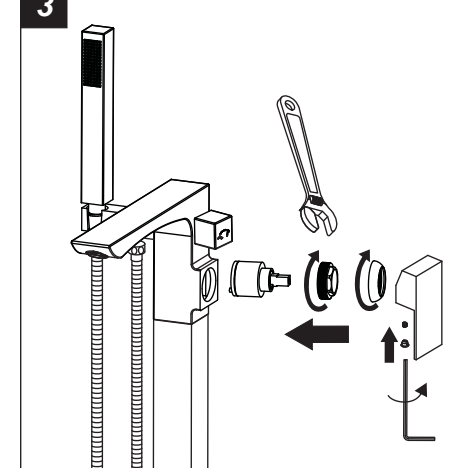
## Step 3 Maintenance

A. If there is splash or low flow rate, please remove the aerator with the wrench and clean the debris.

**1**



B. If faucet leaks from the handle or drips from spout, please replace cartridge following the following steps:

<p><b>1</b></p> 	<p><b>2</b></p> 	<p><b>3</b></p> 
<p>Remove the handle screw② with Allen key③, take out the trim cap④.</p>	<p>Unscrew the cartridge locknut ① with Adjustable Wrench, then take out the old cartridge ②.</p>	<p>Place a new cartridge in the cartridge seat, then screw the cartridge locknut and assemble the handle by securing the screws.</p>