

Model 3739 Transfer Shower Floor™ ADA Designed



Model 3739 Transfer Shower Floor

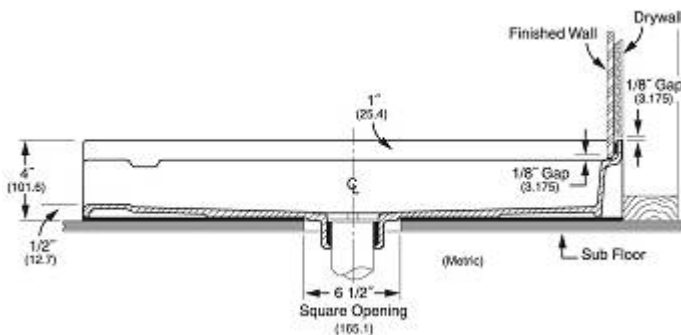
Available in White or Bone
 (shown with CareGiver 32" Seat and 34" x 18" Grab Bar)

Complies with specifications:

- Americans with Disabilities Act (ADA)
 608 Shower, 608.1 General, 608.2 Size & Clearance, 608.2.2 Standard roll-in type, 608.7 Curbs
- Code of Federal Regulations:
 4.21 Shower Stalls, 4.21.2 Size Clearance, 4.21.7 Curbs
- American Society of Testing & Materials (ASTM)-D635 Flammability, E84 Flame Spread, E165.75 Fire Retardancy
- Inhalation Toxicity Test

SPECIFICATIONS

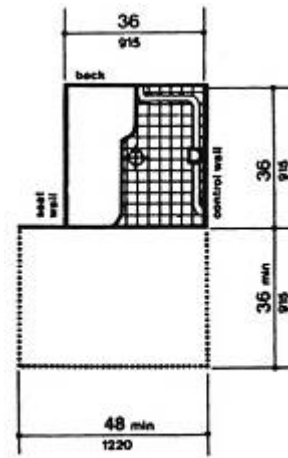
| Model No. | Color | Drain | UPC |
|-----------|-------|--------|-----------------|
| 3739M | White | Center | 6 71031 00353 9 |
| 3739BN | Bone | Center | 6 71031 00354 6 |



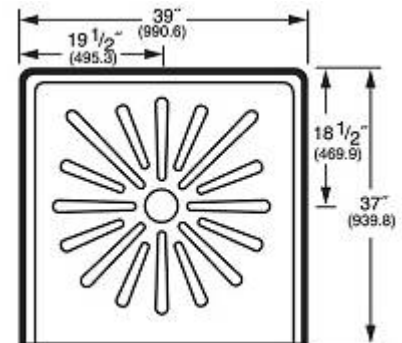
Model 3739 Transfer Shower Floor™

The durable one-piece Transfer Shower Floor features a 1/2" modified threshold to retain water yet allow easy step-in or wheelchair access. Its inside usable floor space meets ADA dimensions for transferring from walker or wheelchair to shower seat. The slip-resistant surface also resists mold and mildew, and its semigloss finish is easy to clean.

Its sturdy molded fiberglass construction features a ribbed underbody for extra strength and an integral center drain with seal and removable strainer. This design is ideal for new or retrofit installations.



(a)
 36-in by 36-in
 (915-mm by 915-mm) Stall



General: Furnish and install as shown on plans, CareGiver™ Transfer Shower Floor model ____ (3739M, 3739BN) as manufactured by E.L. Mustee & Sons, Inc. Shower floor to be one-piece, molded fiberglass, using matched metal molds under extreme heat and pressure. Surface to be slip-resistant design that does not interfere with flow of water. Size: 37" x 39". Shoulder will be not less than 3" high or less than 1" wide. Tiling flange will extend not less than 1" higher than shoulder. Curb shall be 1/2" high by 2-1/2" wide. Color ____ (White, Bone).