

# INSTALLATION INSTRUCTIONS FOR P574/P575-084-L

For LED Bath Vanity (New. 2019/02/11)

**WARNING! SHUT POWER OFF AT FUSE OR CIRCUIT BREAKER.**

**AVERTISSEMENT! COUPER LE COURANT AU NIVEAU DES FUSIBLES OU DO DISJONCTEUR.**

## PREPARATION

1. Shut off power at the fuse box or circuit breaker box. If necessary remove the old fixture and mounting hardware.
2. Carefully unpack your new fixture and lay out all the parts in a clear area. Take care not to lose any small parts necessary for installation.

## INSTALLING GLASS (FIG. 3)

3. Insert glass shade (H) into the base plate (L), install end cap (G) by screws (F) and gasket (M). Gasket (M) should insert between base plate (L) and end cap (G).

## MOUNTING THE FIXTURE (FIG. 1)

4. Secure mounting plate (C) to junction box (A) using junction boxes screws (B) (Size: #8-32\*0.5"L). The side of the mounting plate marked "GND" must face out as picture.

## CONNECTING THE WIRES (FIG. 2)

5. At this point, connect the electrical wires as shown in Fig. 2, making sure that all wire connectors are secured. If your outlet has a ground wire (green or bare copper), connect the fixtures ground wire to it. Otherwise, connect the fixture ground wire directly to the mounting plate (C) using the green screw provided. After wires are connected, tuck them carefully inside the junction box.

## FINISHING THE INSTALLATION (FIG.1)

6. Fix the vanity fixture (E) to the mounting plate (C) by using screws (D).

Your installation is now completed. Return power to the junction box and test the fixture.

**CAUTION /ATTENTION:** When handling the fixture, do not apply pressure to the glass and the single ring in middle. Hold the fixture by the base only.

## Replacing Glass shade and LED module (Fig. 3)

The glass shade and LED module can be replaced by a qualified electrician without cutting of wire and without damage to any decorative element to which the fixture is attached. See installation steps for more details (Fig 3.)

- a. Shut off power. Remove the fixture from the wall.
- b. Loosen screws (F) and get down decorative caps (G) from both sides.
- c. Remove the Glass shade (H) from the base plate (L).
- d. Pull back the power leads (I) via pre-drilled hole of the base plate (L) and screw down the screws (K) from both sides.
- e. Remove the LED module (J) from base plate (L).
- f. Reverse steps a-c for installing new Glass shade and reverse steps a-e for installing new LED module.

Note: The glass and LED module should be provided by a specified supplier.

Note: Illustration (Fig. 1 & Fig. 3) on this manual is for installation purposes only. It may or may not be identical to the fixture purchased.

FIG.1

- Set #A-020-113
- Mounting plate\*1
  - Ground screw\*1
  - Mounting screw\*2

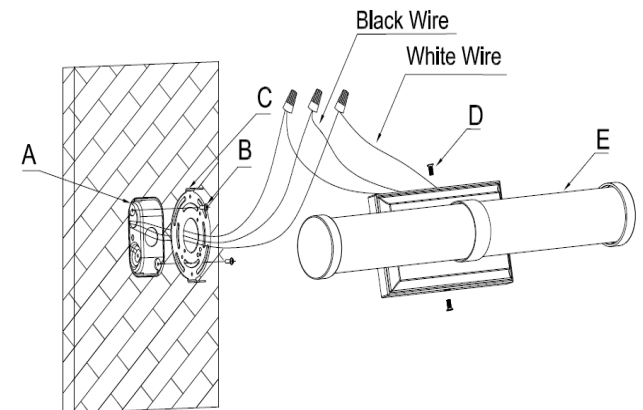


Fig.2

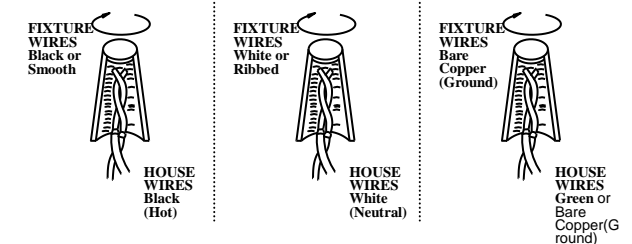
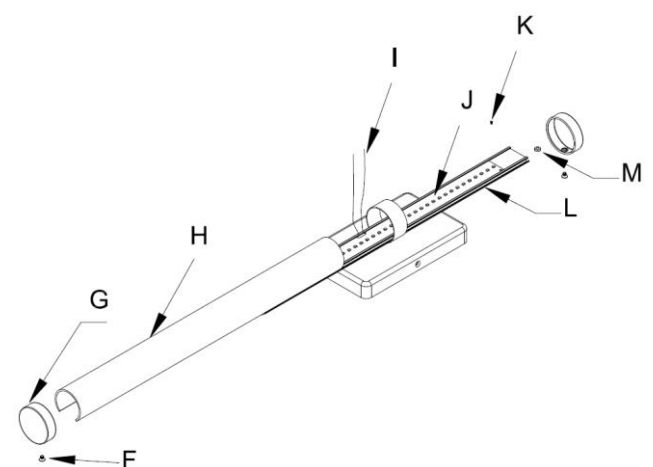


Fig 3



**IMPORTANT:** Fixture should be installed by a qualified electrician to ensure proper wiring and installation.

**Dimmable with LED compatible wall dimmer switches.**

