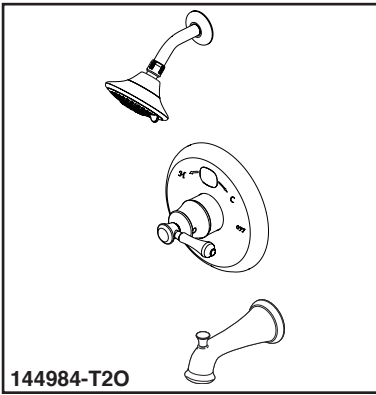




# TUB AND SHOWER FAUCET

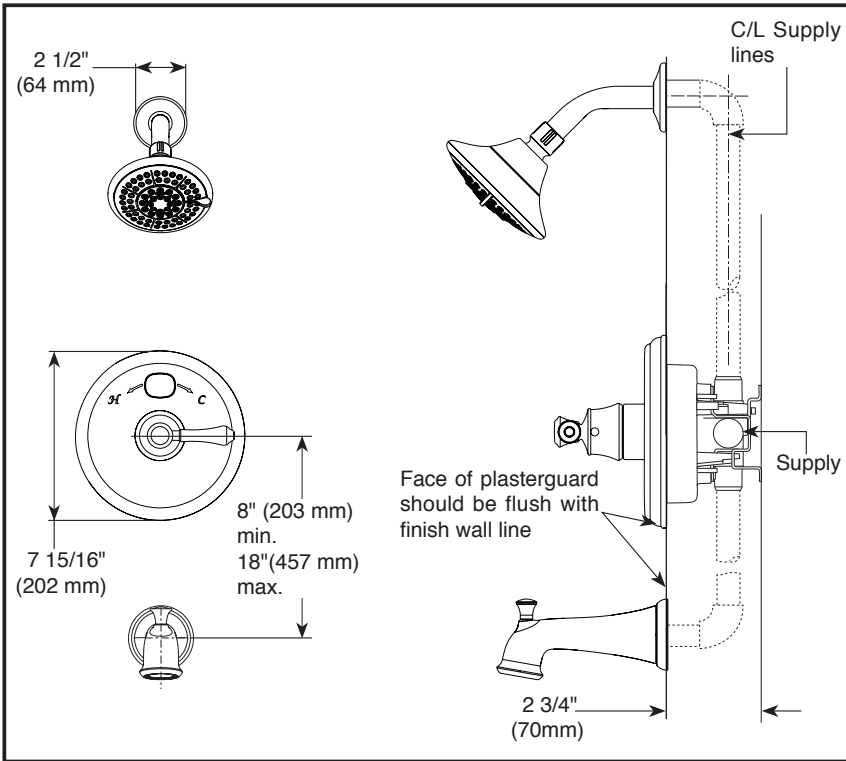
- Temp<sub>2</sub>O™ Tub/Shower
- Temperature display changes color as temperature increases
- Easy-turn 5-spray adjustable showerhead
- Touch-Clean® Nozzles
- Uses 3 AAA batteries (Included)
- Option for °F / °C
- Low battery indicator on LED screen



144984-T2O

Submitted Model No.: \_\_\_\_\_

Specific Features: \_\_\_\_\_



## STANDARD SPECIFICATIONS:

- Monitor® 14 Series pressure balanced bath mixing valve with Scald-Guard®.
- Maintains a balanced pressure of hot and cold water even when a valve is turned on or off elsewhere in the system.
- For use with MultiChoice® Universal rough valve body. (R10000 Series).
- Back-to-back installation capability.
- Solid brass forged body.
- Temperature only controlled with handle.
- Field adjustable to limit handle rotation into hot water zone.
- 120° maximum handle rotation.

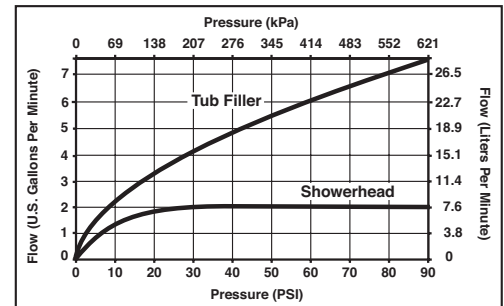
## WARRANTY

- Lifetime limited warranty on parts (other than electronic parts and batteries) and finishes; or, for commercial users, for 5 years from the date of purchase.
- 5 year limited warranty on electronic parts (other than batteries); or for commercial users, for 1 year from the date of purchase. No warranty is provided on batteries.



## COMPLIES WITH

- ASME A112.18.1 / CSA B125.1
- Indicates compliance to ICC/ANSI A117.1 - Valve control only
- EPA WaterSense



**RP78575 ▲ (Showerhead)**

- Full Body Spray
- Fast Massage Spray
- Full Spray w/ Massage
- Pause
- Soft Drench Spray

**RP52153 ▲ (Pull-Up Diverter)**

### ▲ Designate proper finish suffix

Delta reserves the right (1) to make changes in specifications and materials, and (2) to change or discontinue models, both without notice or obligation. Dimensions are for reference only. See current full-line price book or [www.deltafaucet.com](http://www.deltafaucet.com) for finish options and product availability.

DSP-B-144984-T2O Rev. A



55 E. 111th Street, Indianapolis, Indiana 46280  
 350 South Edgeware Road, St. Thomas, Ontario Canada N5P 4L1  
 © 2014 Masco Corporation of Indiana