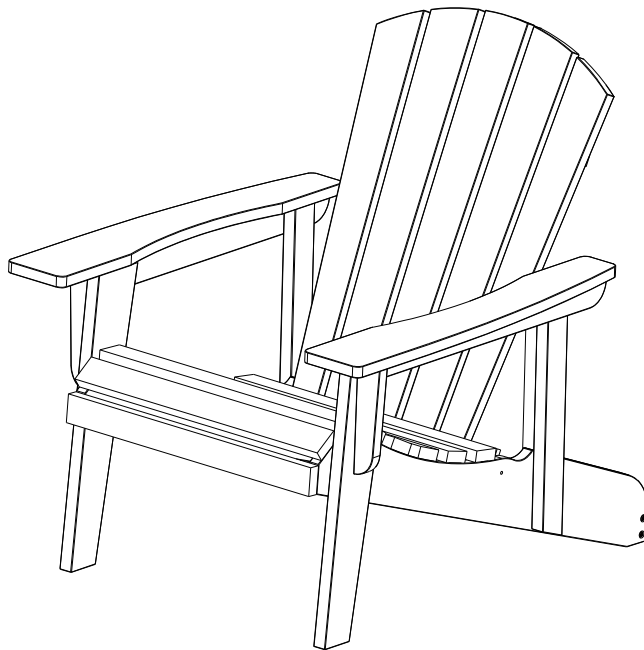




OWNER'S MANUAL



TRINITY ECOSTORAGE® RECLINING ADIRONDACK CHAIR
ESPRESSO BROWN / SLATE GRAY
Model # THBBR-3103 / THBGR-3103



Important / Important / Importante

FOR QUICK & EASY 3D ASSEMBLY INSTRUCTIONS

POUR DES DIRECTIVES D'ASSEMBLAGE 3D RAPIDES ET FACILES

PARA INSTRUCCIONES DE ENSAMBLAJE RÁPIDAS Y SENCILLAS EN 3D

BILT.[®]

Intelligent Instructions
Directives intelligentes
Instrucciones Inteligentes



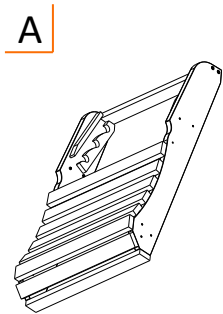
DOWNLOAD THE FREE APP | TÉLÉCHARGER L'APPLICATION GRATUITE | DESCARGUE LA APLICACIÓN GRATUITA

PARTS LIST

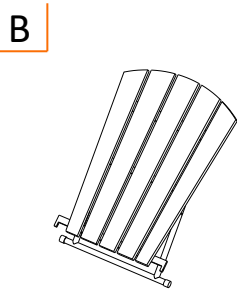
Your TRINITY EcoStorage® Adirondack Reclining Chair should include the following parts. Please inspect box contents to ensure you have received all components.

If you are missing any parts, need assistance with assembly or have questions, please contact TRINITY Customer Service: 800.985.5506 or customerservice@trinityii.com. Parts can also be requested online via "Contact Us" section at www.trinityii.com.

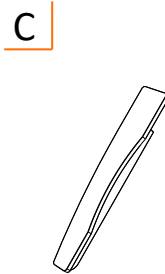
You will NOT need additional tools for assembly.



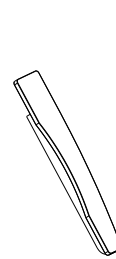
SEAT (1)



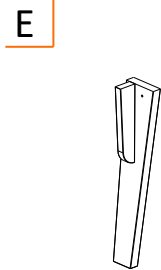
BACKREST (1)



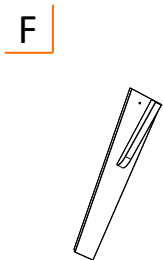
LEFT ARMREST (1)



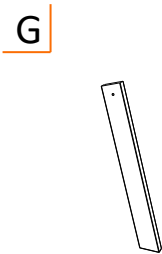
RIGHT ARMREST (1)



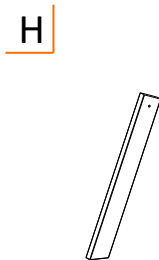
LEFT FRONT LEG (1)



RIGHT FRONT LEG (1)



LEFT SUPPORT (1)



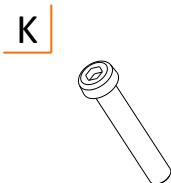
RIGHT SUPPORT (1)



NUT (2)



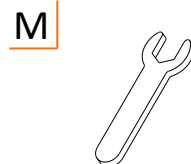
WASHER (2)



SCREW (16)
M6 X 35



HEX KEY (1)



WRENCH (1)

ASSEMBLY INSTRUCTIONS

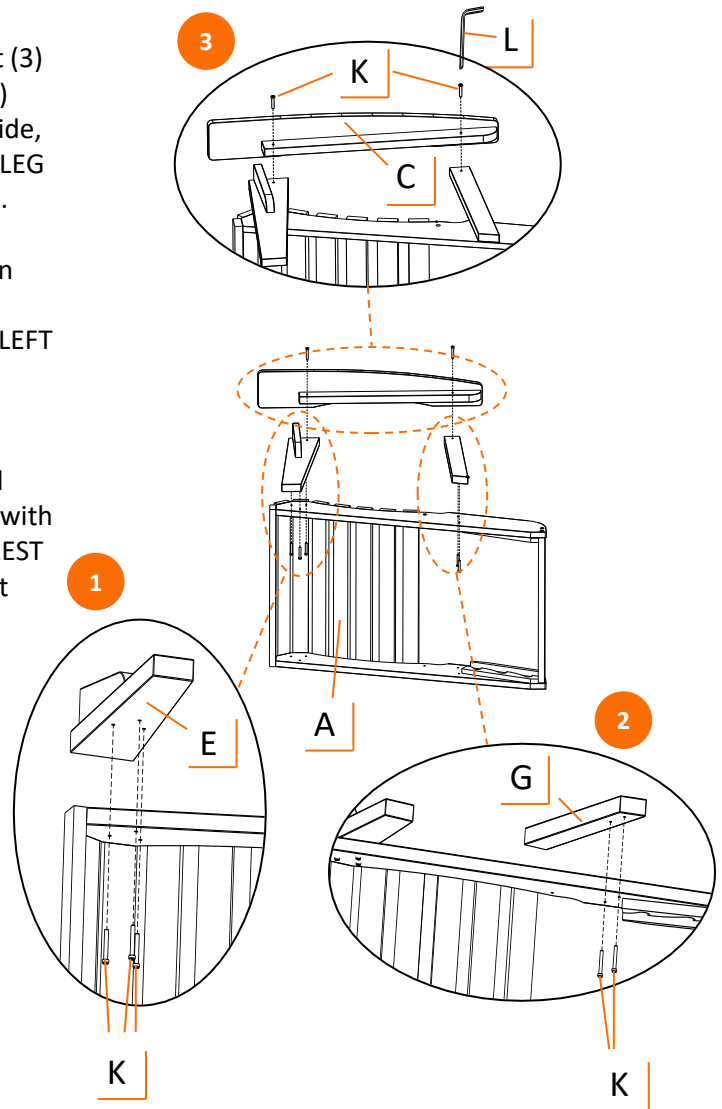
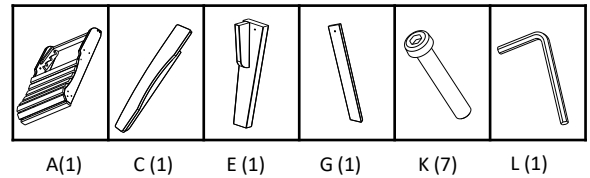
STEP 1

NOTE: Make sure you have parts labeled (C), (E) and (G) for this step. They look very similar to parts (D), (F), and (H).

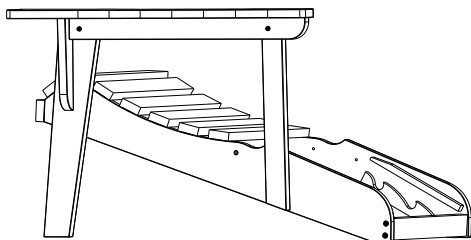
Lay SEAT (A) on ground sideways as shown, orient (3) insert nuts on LEFT FRONT LEG (E) to align with (3) holes on SEAT (A). Insert (3) SCREWS (K), from inside, through SEAT (A) and hand fasten to LEFT FRONT LEG (E). Then with HEX KEY (L) tighten (3) SCREWS (K).

Orient (2) insert nuts on LEFT SUPPORT (G) to align with (2) holes on SEAT (A). Insert (2) SCREWS (K), from inside, through SEAT (A) and hand fasten to LEFT SUPPORT (G). Then with HEX KEY (L) tighten (2) SCREWS (K).

Put LEFT ARMREST (C) on LEFT FRONT LEG (E) and LEFT SUPPORT (G), making sure holes are aligned with insert nuts. Insert SCREW (K) through LEFT ARMREST (C) and hand fasten to LEFT FRONT LEG (G). Insert SCREW (K) through LEFT ARMREST (C) and hand fasten to LEFT SUPPORT (G). Finally tighten both SCREWS (K) with HEX KEY (L).



Completed STEP 1 assembly



ASSEMBLY INSTRUCTIONS

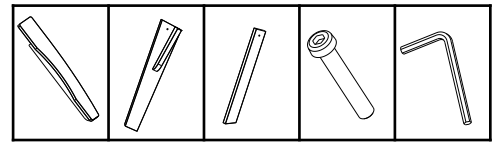
STEP 2

Flip over completed assembly from STEP 1 and lay on ground as shown.

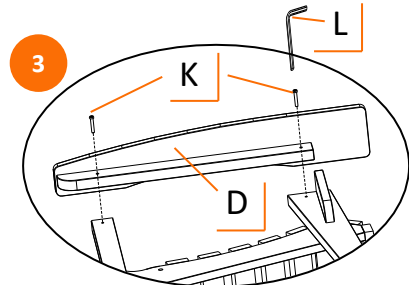
Orient (2) insert nuts on RIGHT SUPPORT (H) to align with (2) holes on SEAT (A). Insert (2) SCREWS (K), from inside, through SEAT (A) and hand fasten to RIGHT SUPPORT (H). Then with HEX KEY (L) tighten (2) SCREWS (K).

Orient (3) insert nuts on RIGHT FRONT LEG (F) to align with (3) holes on SEAT (A). Insert (3) SCREWS (K), from inside, through SEAT (A) and hand fasten to RIGHT FRONT LEG (F). Then with HEX KEY (L) tighten (3) SCREWS (K).

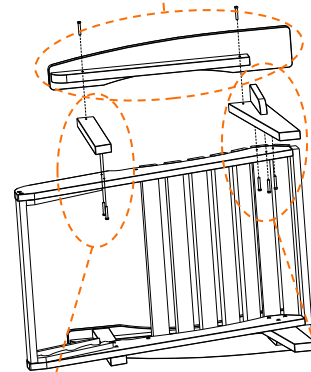
Put RIGHT ARMREST (D) on RIGHT FRONT LEG (F) and RIGHT SUPPORT (H), making sure holes are aligned with insert nuts. Insert SCREW (K) through RIGHT ARMREST (D) and hand fasten to RIGHT SUPPORT (H). Insert SCREW (K) through RIGHT ARMREST (D) and hand fasten to RIGHT FRONT LEG (F). Finally tighten both SCREWS (K) with HEX KEY (L).



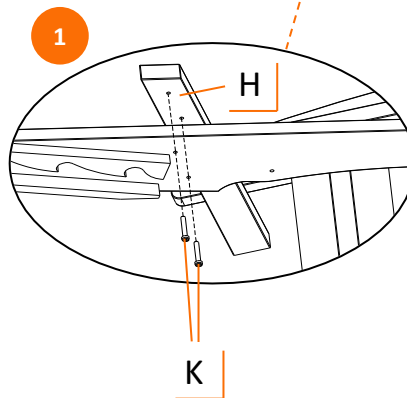
D(1) F(1) H(1) K(7) L(1)



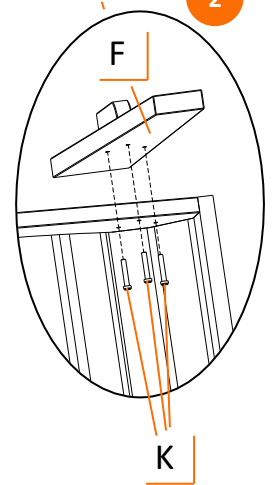
3



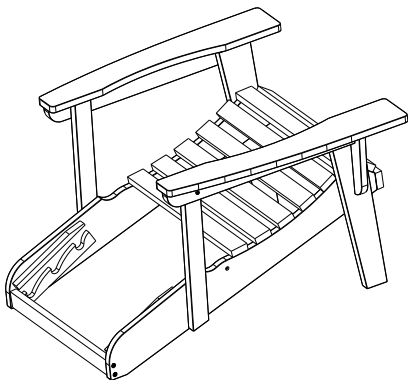
2



1



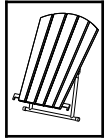
Seat Assembly after STEP 2



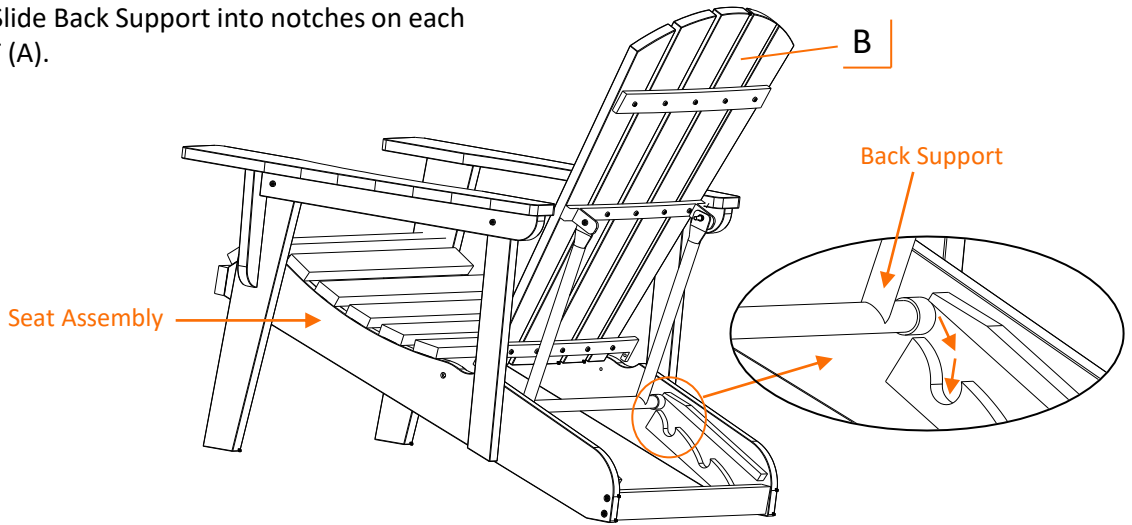
ASSEMBLY INSTRUCTIONS

STEP 3

With 2 people, carefully hold BACKREST (B) over Seat Assembly. Slide Back Support into notches on each side of SEAT (A).

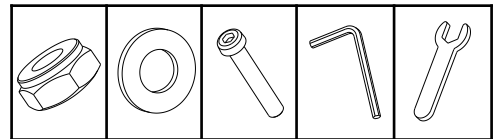


B (1)



STEP 4

On left side, insert SCREW (K) through SEAT (A), BACKREST (B) and WASHER (J). With WRENCH (M) holding NUT (I) in place, tighten SCREW (K) onto NUT (I) with HEX KEY (L).



I (2)

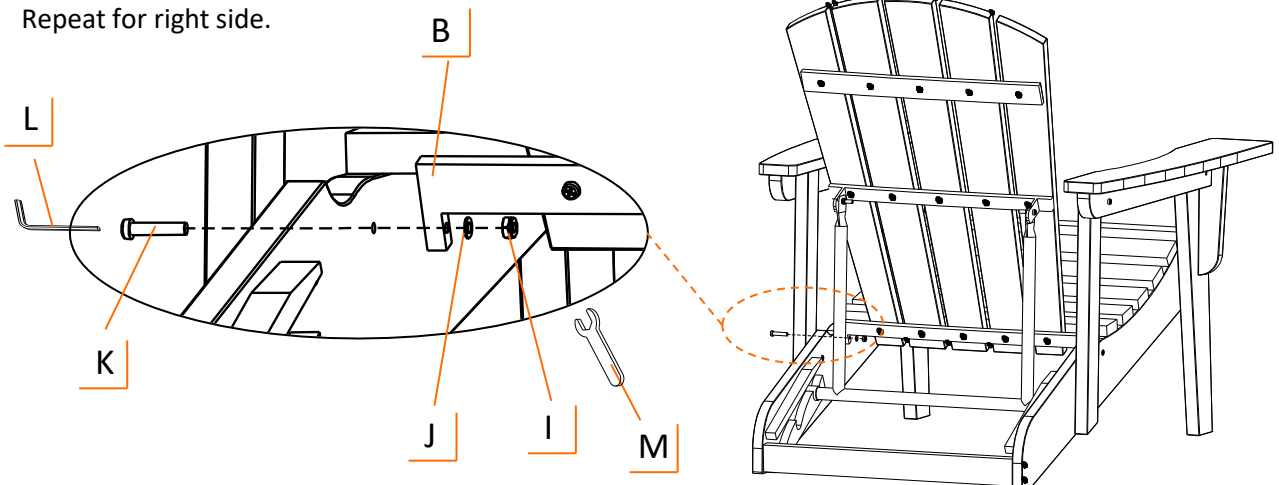
J (2)

K (2)

L (1)

M (1)

Repeat for right side.

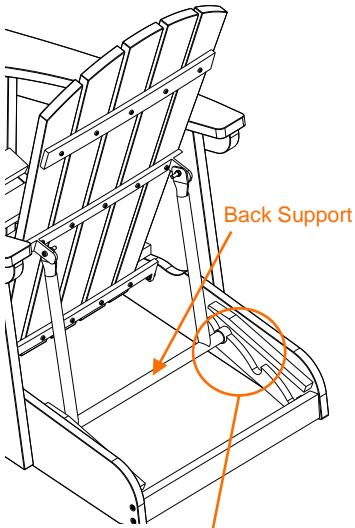


USAGE INSTRUCTIONS

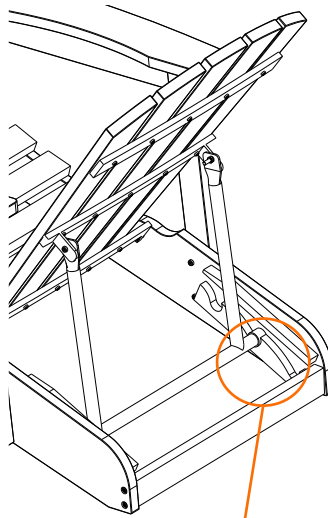
ADJUST SEAT BACK RECLINE POSITIONS

There are 3 reclining positions. Lift BACKREST (B) and move Back Support to position you desire.

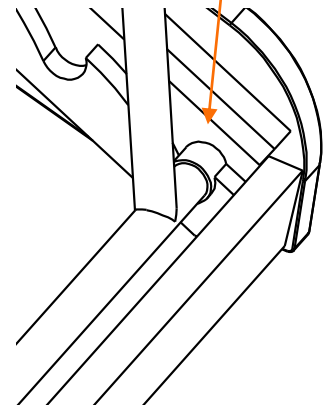
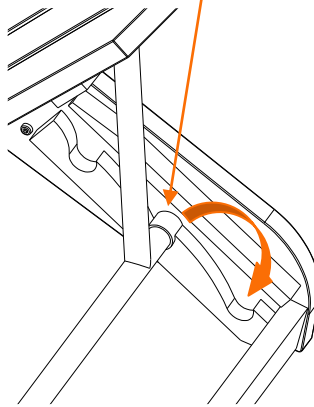
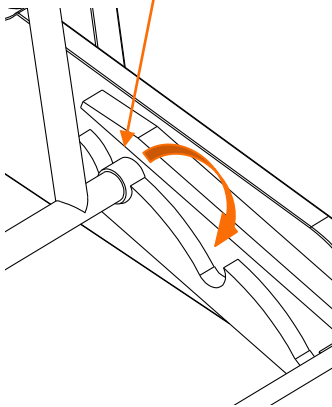
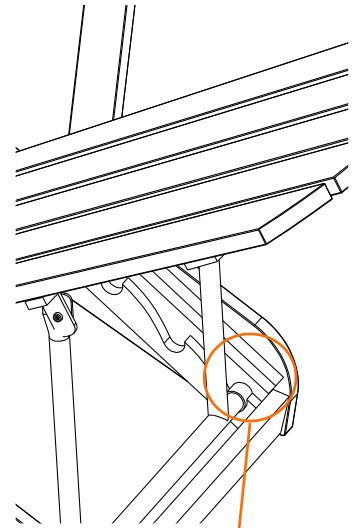
POSITION 1



POSITION 2



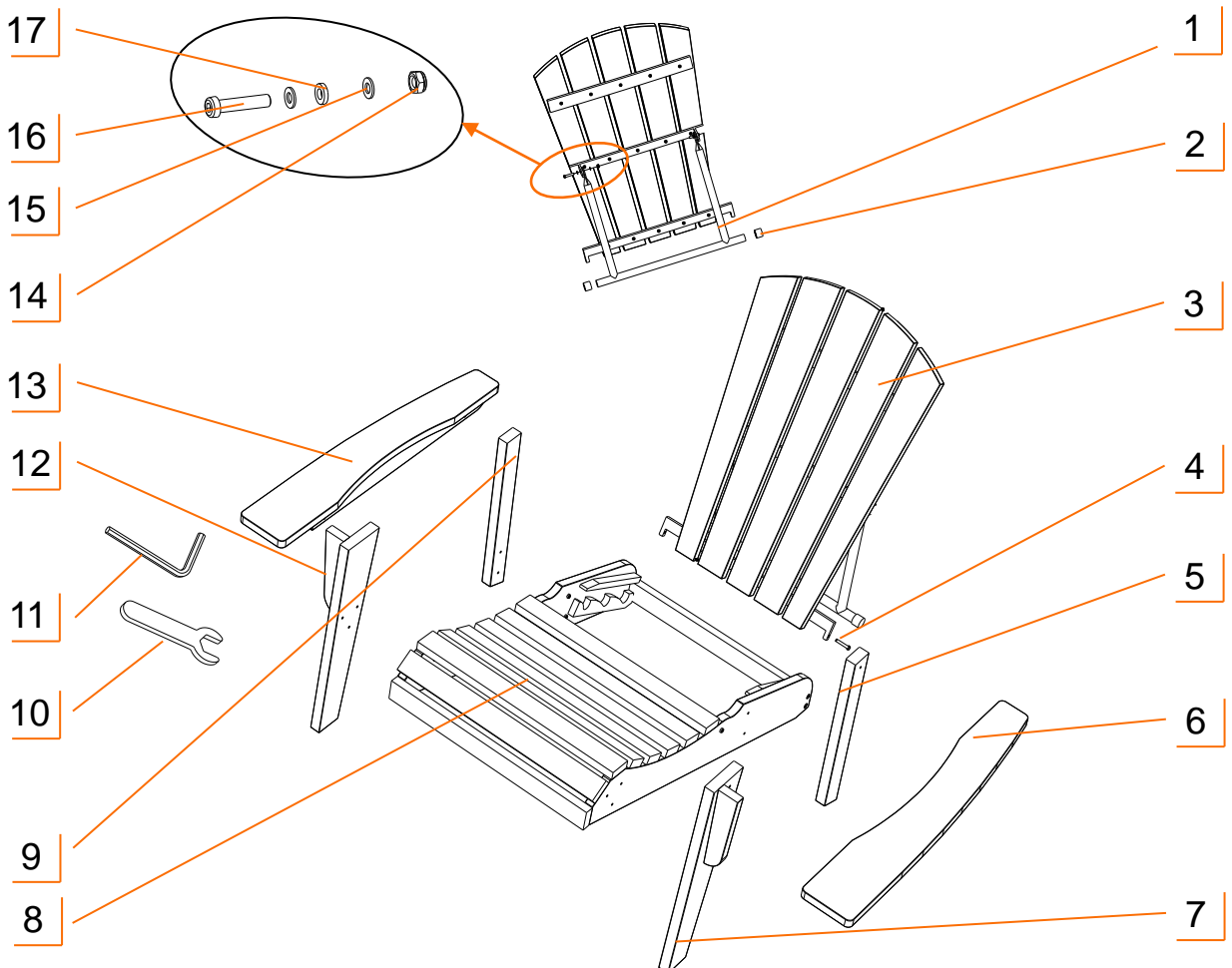
POSITION 3



SERVICE PARTS LIST- THBBR-3103 ESPRESSO BROWN

TRINITY Customer Service provides the following replacement parts:

Part Number	Description	Part Number	Description
1) PBK-25-005-0002	Back Support	10) XXX-97-002-0006	Wrench
2) XBK-23-004-2540	End Cap	11) XXX-97-001-0001	Hex Key
3) XBR-25-005-0001	Backrest	12) XBR-25-004-0005	Right Front Leg
4) XBK-01-026-0635	Screw	13) XBR-25-004-0004	Right Armrest
5) XBR-25-004-0003	Left Support	14) XSV-01-018-0606	Nut
6) XBR-25-004-0001	Left Armrest	15) XSV-01-019-0612	Washer
7) XBR-25-004-0002	Left Front Leg	16) XBK-01-026-0620	Back Support Screw
8) XBR-25-003-0001	Seat	17) XBK-01-041-0615	Plastic Washer
9) XBR-25-004-0006	Right Support		



SERVICE PARTS LIST- THBGR-3103 SLATE GRAY

TRINITY Customer Service provides the following replacement parts:

Part Number	Description	Part Number	Description
1) PBK-25-005-0002	Back Support	10) XXX-97-002-0006	Wrench
2) XBK-23-004-2540	End Cap	11) XXX-97-001-0001	Hex Key
3) XGR-25-005-0001	Backrest	12) XGR-25-004-0005	Right Front Leg
4) XBK-01-026-0635	Screw	13) XGR-25-004-0004	Right Armrest
5) XGR-25-004-0003	Left Support	14) XSV-01-018-0606	Nut
6) XGR-25-004-0001	Left Armrest	15) XSV-01-019-0612	Washer
7) XGR-25-004-0002	Left Front Leg	16) XBK-01-026-0620	Back Support Screw
8) XGR-25-003-0001	Seat	17) XBK-01-041-0615	Plastic Washer
9) XGR-25-004-0006	Right Support		

