



*Elizabethan  
Classics*

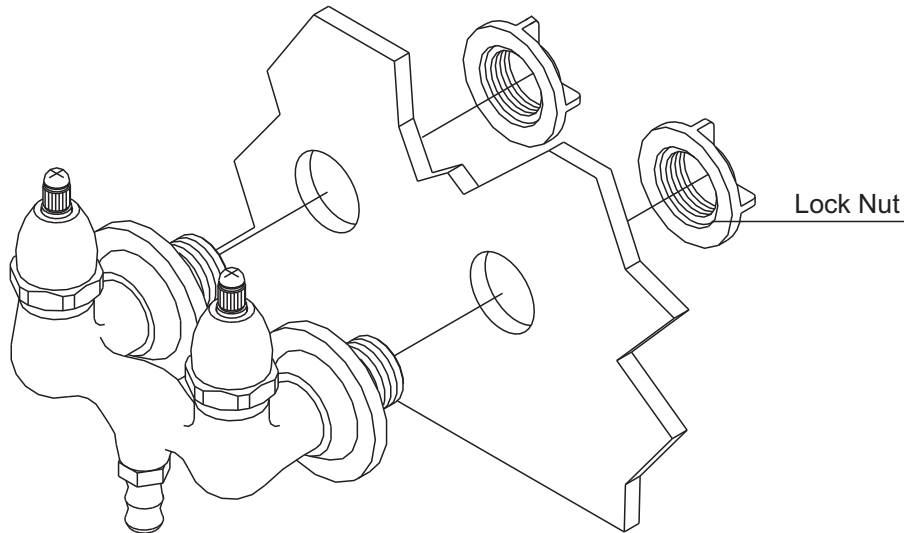
## Assembly Instructions for TW36-40

**CAUTION: DO NOT OVER TIGHTEN NUTS AND SCREWS - THIS CAN LEAD TO STRIPPING OR CRACKING AND WILL VOID YOUR WARRANTY.**

**NOTE: TO BE INSTALLED ONLY BY QUALIFIED, LICENSED PLUMBER**

**NOTE: USE TEFLON TAPE ON ALL THREADED CONNECTIONS**

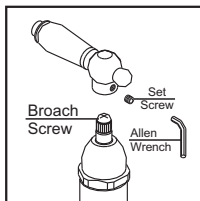
1. Shut off the water supply valves before installation.
2. Insert the faucet through the two holes in the tub. Thread the Lock Nuts onto the threaded shanks and tighten.
3. Connect the supply lines (sold separately) to the threaded shanks.
4. Install handles. After installation is completed, turn on the water supply valves and allow both hot and cold water to run at least one minute each. While water is running, check for leaks, especially at hook-ups to supply lines. Tightening nuts slightly will stop any minor leaks.



### Assembly Instructions for Handles

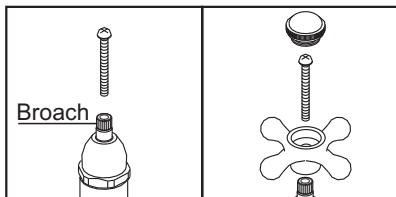
#### **Lever Handles:**

1. Be sure that the broach screws are tightened before installing the lever handles.
2. Install the lever handles on the broaches and tighten the set screws using the allen wrench provided.



#### **Cross Handles:**

1. Remove the screws from the top of the broaches.
2. Remove the insert caps from the cross handles.
3. Put the cross handles on the broaches and then tighten the screws. Insert the caps on the cross handles.



Rev.D