



**Kennon®**  
Top-/Under-Mount Kitchen Sink  
**K-RH8437-1**

**Features**

- Includes cutout templates.
- 9-1/2 inch depth.

**Material**

- KOHLER Neoroc material.

**Installation**

- Includes 1 faucet hole on rear deck (3 more faucet holes available for knockout with ball-peen hammer & punch).
- 36-inch minimum base cabinet width for under-mount installation.
- 36-inch minimum base cabinet width for top-mount installation.
- Top-mount or under-mount installation.

**Recommended Accessories**

K-9000 P-Trap

**Optional Accessories**

K-5376 Sink Rack  
K-6109 Sink Rack  
K-8801 Sink Strainer

**Components**

Additional included component/s: K-6109.



**Codes/Standards**

CSA B45.5/IAPMO Z124

**KOHLER® Neoroc® Sinks Lifetime Limited Warranty**

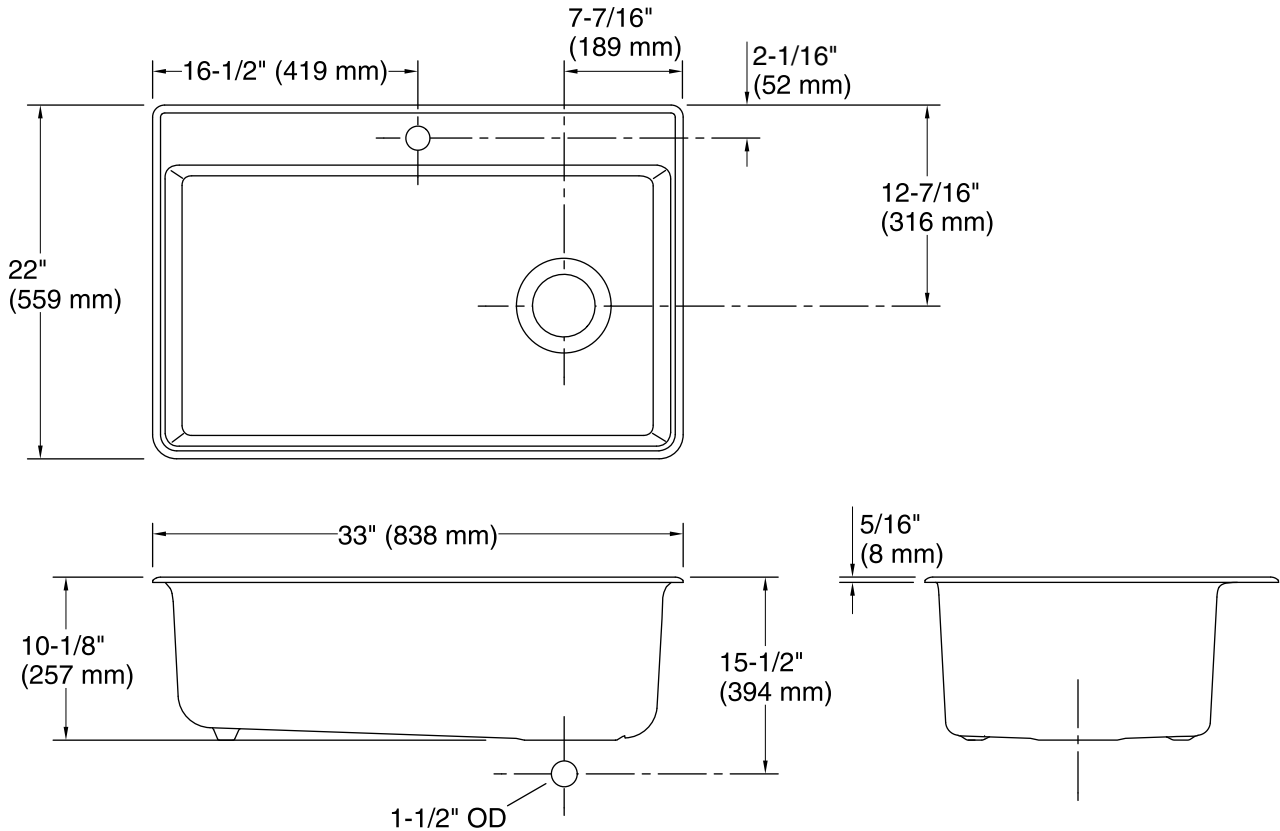
See website for detailed warranty information.

**Available Color/Finishes**

*Color tiles intended for reference only.*

**Color Code Description**

	CM1	Neoroc® Matte Black
--	-----	---------------------



## Technical Information

All product dimensions are nominal.

Installation:	Under-mount, Top-mount
Bowl area:	Length: 33-1/8" (841 mm) Width: 16-15/16" (430 mm) Bowl depth: 9-1/2" (241 mm) Water depth: 9-1/2" (241 mm)
Drain hole:	3-7/8" (98 mm)
Template:	1281757-7, required, included

## Notes

Install this product according to the installation instructions.

Countertop manufacturer or cutter must use the cut-out template provided with the product, or a current one provided by Kohler Co. (call 1-800-43-FOCUS). Kohler Co. is not responsible for cut-out errors when the incorrect cut-out template is used.