

Installation Guide

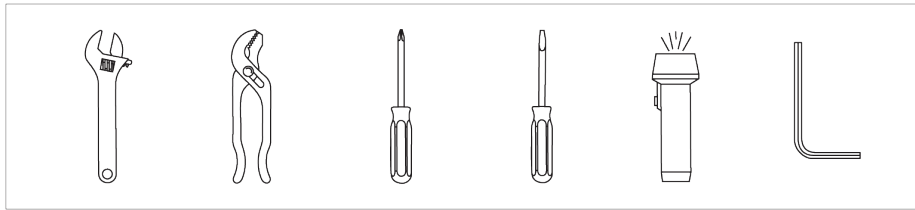
WH2070826

Thank you for selecting this product!

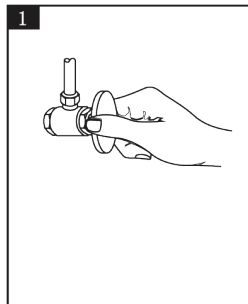
IMPORTANT NOTICES: For easy installation, please read all the instruction completely before beginning. Before installing this product, make sure that water lines are properly flushed and cleared to avoid blockage.

WARNING: Assembly by a professional plumber is required.

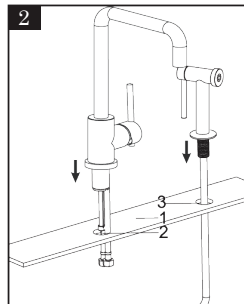
YOU MAY NEED



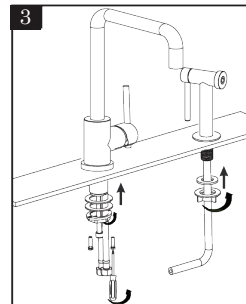
INSTALLATION PROCEDURES



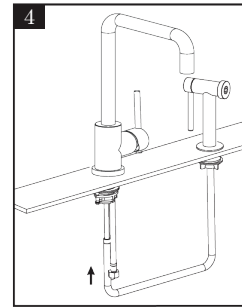
1 Clean all dirt and debris from supply valves before proceeding with installation. If you are replacing an existing faucet, remove the faucet from the sink and clean the surface thoroughly.



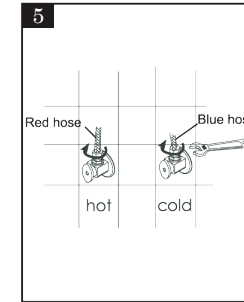
2 Drill a $\phi 1\text{-}1/2\text{'}$ to $\phi 1\text{-}3/8\text{'}$ hole (2) and $\phi 1\text{'}$ (3) in sink (1). Put the rubber washer through the bottom. Then install the faucet through the left hole on sink.



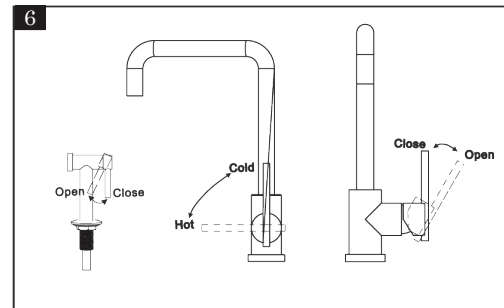
3 From underside sink, put on the plastic washer and metal washer in order and tighten with mounting nut by hand. Before final tightening, make sure spout and handle facing forward. Tighten the screws with tooling.



4 Connect the faucet and spray with supply hose.



5 Connect the flexible hoses to the water supply valves (left to hot water and right to cold). Make sure flexible hoses are securely fastened before turning on valve.



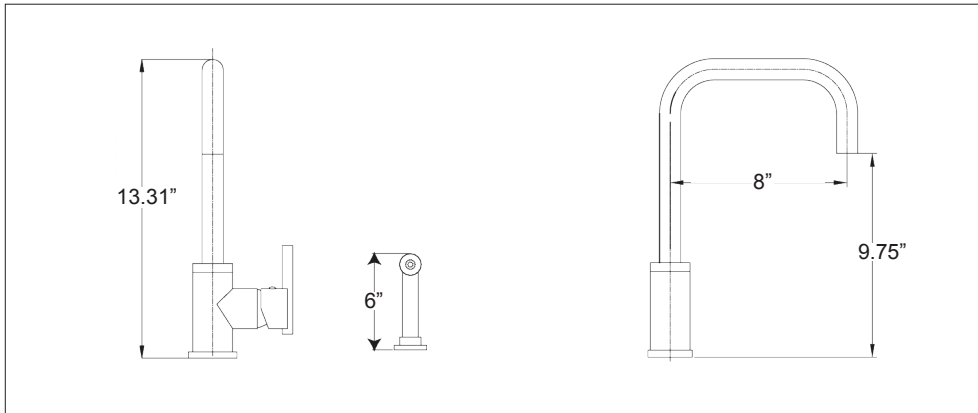
6 Pull the handle rightward in horizontal to turn on the mixer, leftward in horizontal to turn off. The water will be connected to the sprayer when press the button on it.

CAUTION: Maintenance

1. Always turn off water and relieve pressure before working on your faucet.

NOTES: Cleaning Instructions

1. Clean the faucet with mild soap and water, then wipe the faucet dry with soft cloths.
2. Do not use cleaners which contain acids, harsh chemicals, or abrasives.
3. Repeat steps 1-2 whenever necessary.



TROUBLE-SHOOTING

If you've followed the instruction carefully and your faucet still does not work properly, take these corrective steps.

Problem	Cause	Action
Leaks underneath handle.	Cartridge has come loose.	Tighten the cartridge.
Aerator leaks or has an inconsistent water flow pattern.	Aerator is dirty or worn out or misfitted.	Unscrew the aerator to clean or replace washer, or replace the aerator.
Water will not shut off completely.	Dirty or worn out washer in cartridge.	Remove handle and cartridge to check if the washer is damaged permanently or dirty. Re-install cartridge.

