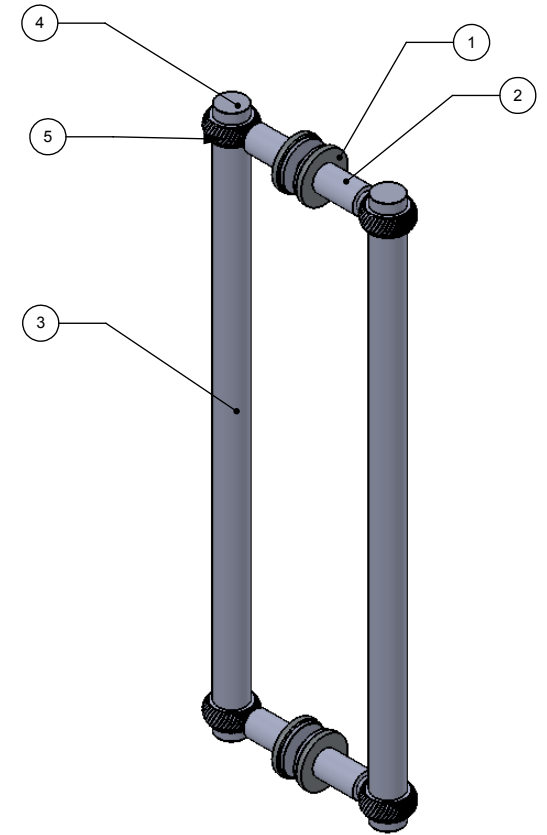
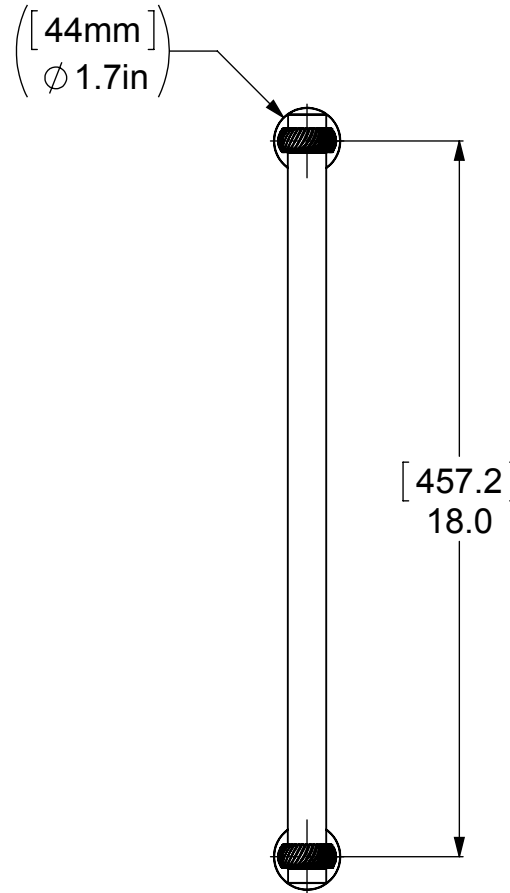
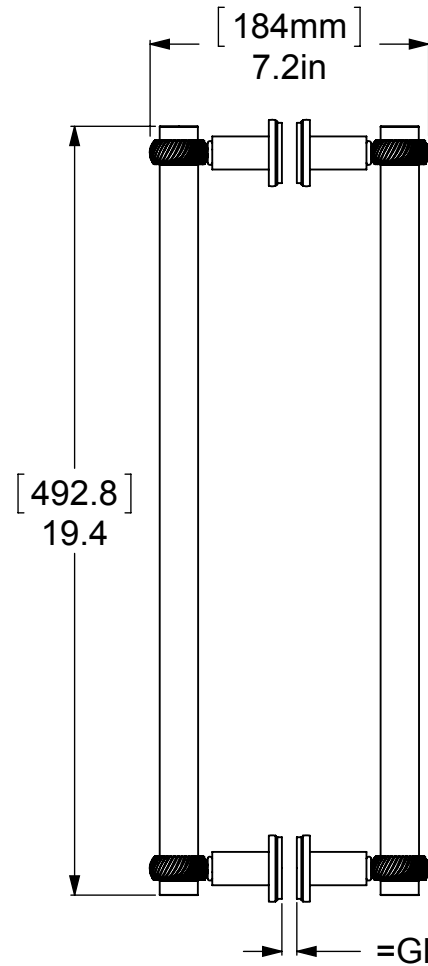
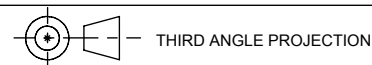



ITEM NO.	P/N	Description	QTY.
1	FRBP	BACKPLATE	2
2	FR-PST	POST	4
3	TU1-18	TUBE	2
4	CARD-1	CAP	4
5	RGTWT	HUB	4



UNLESS OTHERWISE STATED	
.X	± .3mm
.XX	± .15mm
.XXX	± .008mm

COPYRIGHT © Allied Brass 2016



DRAWN	8/14/2016	I.M	MATERIAL:	BRASS	FINISH	TBD
CHECKED	8/14/2016	P.D	DESCRIPTION:		QUANTITY	TBD
APPROVED	8/14/2016	R.A	SHOWER DOOR PULL		DRAWING No.	REV
					404T-18BB	0
				SCALE	1:5	SHEET: 01 A4