

PlayAction

Climbing Steps

Continuous Handrail
For Easy Play Deck
Access

Great Alternative
To Basic Wooden
or Metal Rungs

Escalones
para trepar

Pasamano continuo
para un acceso fácil a
la plataforma de juegos

Una gran alternativa
a los rudimentarios
escalones de madera
o de metal

Escalier
d'escalade

Main courante continue
permettant l'accès facile
à la plate-forme de jeux

Excellente alternative
aux barreaux de bois
ou de métal de base

Lumber required - see back
(purchase separately)

Madera necesaria - vea el reverso
(compre por separado)

Bois nécessaire - voir au verso
(achetez séparément)



Instrucciones disponibles en español:
Llame gratuitamente al 1-888-PLAYSTAR (752-9782)
De lunes a viernes de 8:00 AM a 5:00 PM. C.S.T.
(Hora Central de EE.UU.)
¡Lo ayudaremos con placer!

Mode d'emploi disponible en français:
Numéro d'appel gratuit 1-888-PLAYSTAR (752-9782)
Du lundi au vendredi De 8 h à 17 h,
heure normale du centre
C'est avec joie que nous vous aiderons!

Different Size Opening Options

If the size of the opening in the play deck is not 21½", you need to adjust the size of your steps.

Top Step equals the size of the opening minus ½"
Standard Step equals the size of the opening plus 2"

Important! Intended for residential use by children ages 2 to 10, only on properly installed PlayStar playsets. Before use refer to complete safety guidelines in your original playset, at www.playstarinc.com, or at 1-888-752-9782. Specifications subject to change without notice.

¡Importante! Para uso residencial, para niños de 2 a 10 años y para usarse sólo en conjuntos de juego PlayStar correctamente instalados. Antes de usar consulte las normas completas de seguridad de su conjunto de juego original, en www.playstarinc.com o al 1-888-752-9782.

Important! Conçu pour une utilisation résidentielle par des enfants de 2 à 10 ans, sur des portiques de jeux PlayStar montés adéquatement seulement. Avant l'utilisation, consulter les directives de sécurité complètes du portique de jeux original à www.playstarinc.com, ou au 1-888-752-9782.

PS 8860



LT 6409 R2

The Climbing Steps can be mounted
on 48" or 60" play decks.

Please follow the appropriate directions below:

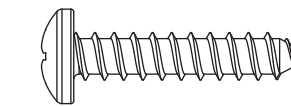
48" PLAY DECK

Tools Required: Drill, 1/8" Drill Bit, Tape Measure, Saw, Square, Rubber Mallet, Phillips Screwdriver, Safety Glasses

Materials Required: (1) 2" x 6" x 8"

Hardware Included: (20) #14 x 1¼" Pan Head Screws

Depending on your application,
some hardware may not be used.



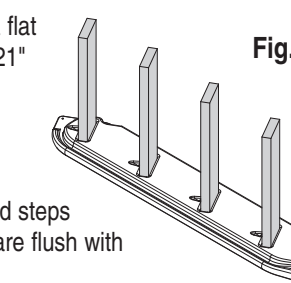
Cutting Guide:

2" x 6" x 8" - one (1) board required

21"	23½"	23½"	23½"
Top Step	Std. Step	Std. Step	Std. Step

MOUNTING INSTRUCTIONS

1. Place the left (L) step side rail on a flat work surface. Insert one 2" x 6" x 21" top step into the top hole.



Note: This hole does not go completely through the side rail.

Insert three 2" x 6" x 23½" standard steps into the remaining holes until they are flush with the outside of the side rail. (Fig. 1)

60" PLAY DECK

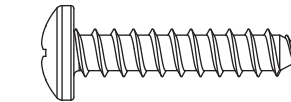
Tools Required: Drill, 1/8" Drill Bit, Tape Measure, Saw, Square, Rubber Mallet, Phillips Screwdriver, Safety Glasses

Materials Required:

(1) 2" x 6" x 8" (1) 2" x 4" x 28½" (8) #8 x 2½" Deck Screws

Hardware Included: (20) #14 x 1¼" Pan Head Screws

Depending on your application,
some hardware may not be used.



Cutting Guide:

2" x 6" x 8" - one (1) board required

21"	23½"	23½"	23½"
Top Step	3 Standard Steps		

2" x 4" x 8" - one (1) board required

28½"
Filler Board

MOUNTING INSTRUCTIONS

1. Place the left (L) step side rail on a flat work surface. Insert one 2" x 6" x 21" top step into the top hole.

Note: This hole does not go completely through the side rail.

Insert three 2" x 6" x 23½" standard steps into the remaining holes until they are flush with the outside of the side rail. (Fig. 1)

2. Insert the right (R) step side rail on top of the existing boards until the standard boards are flush with the outside of the side rail. (Fig. 2)

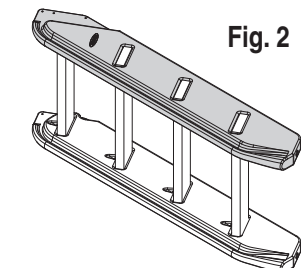
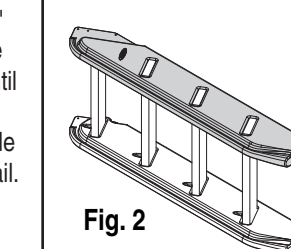
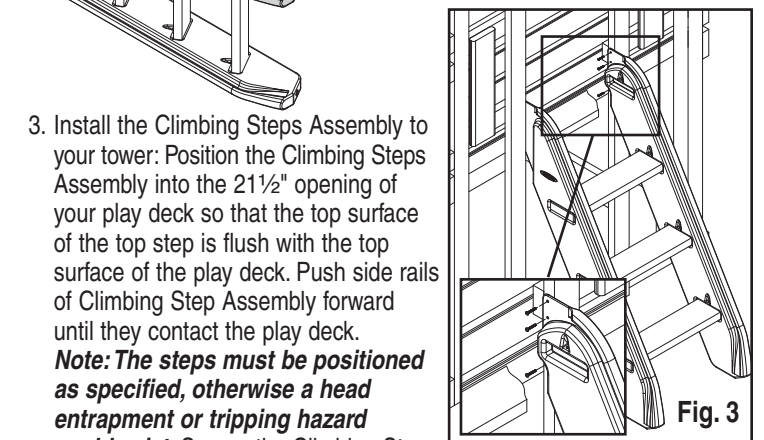


Fig. 2

2. Insert the right (R) step side rail on top of the existing boards until the standard boards are flush with the outside of the side rail. (Fig. 2)



3. Install the Climbing Steps Assembly to your tower: Position the Climbing Steps Assembly into the 21½" opening of your play deck so that the top surface of the top step is flush with the top surface of the play deck. Push side rails of Climbing Step Assembly forward until they contact the play deck.

Note: The steps must be positioned as specified, otherwise a head entrapment or tripping hazard could exist. Secure the Climbing Step

Assembly to the play deck using three #14 x 1¼" pan head screws on each side as shown. (Fig. 3)

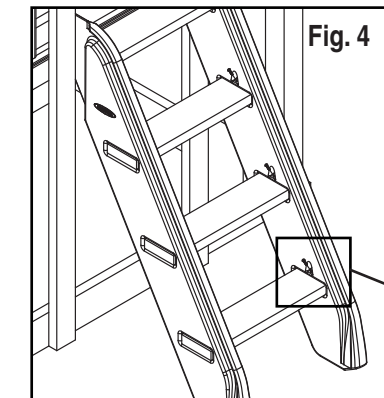


Fig. 4

4. Make sure that all the standard steps are flush with the outside sides of the Climbing Steps Assembly. Secure each step to the side rails using two #14 x 1¼" pan head screws for each step as shown. (Fig. 4)

3. Install the Climbing Steps Assembly to your tower. Position the Climbing Steps Assembly into the 21½" opening of your play deck so that the top surface of the top step is 12" from the top surface of your play deck (48" from the ground). Secure the Climbing Step Assembly to the play deck using three #14 x 1¼" pan head screws on each side as shown. (Fig. 3)

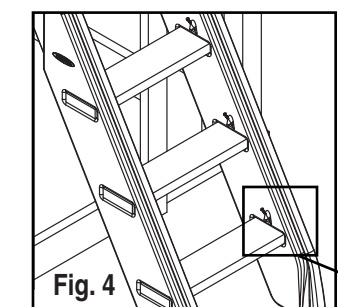


Fig. 3

4. Make sure that all standard steps are flush with the outside sides of the Climbing Steps Assembly. Secure each step to the side rails using two #14 x 1¼" pan head screws for each step as shown. (Fig. 4)

Fig. 4

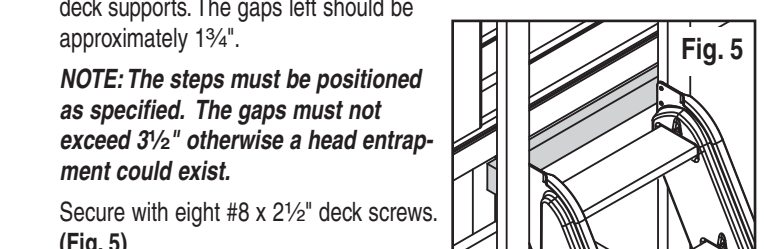


Fig. 5

NOTE: The steps must be positioned as specified. The gaps must not exceed 3½". Otherwise a head entrapment could exist.

Secure with eight #8 x 2½" deck screws. (Fig. 5)

MADE IN U.S.A.