

SPEAKMAN® SM-7430-P

Caspian Shower Combination

FEATURES:

- Caspian Shower Head S-3014
- Arm and Flange S-2500
- Caspian Pressure Balance Diverter Valve and Trim SM-7400-P
- Caspian Tub Spout S-1561
- 2.5 gpm (9.5 L/min) flow rate

FINISH:



PC BN

COMPLIANCE:

- ASME A112.18.1/CSA B125.1 certified

MODELS:

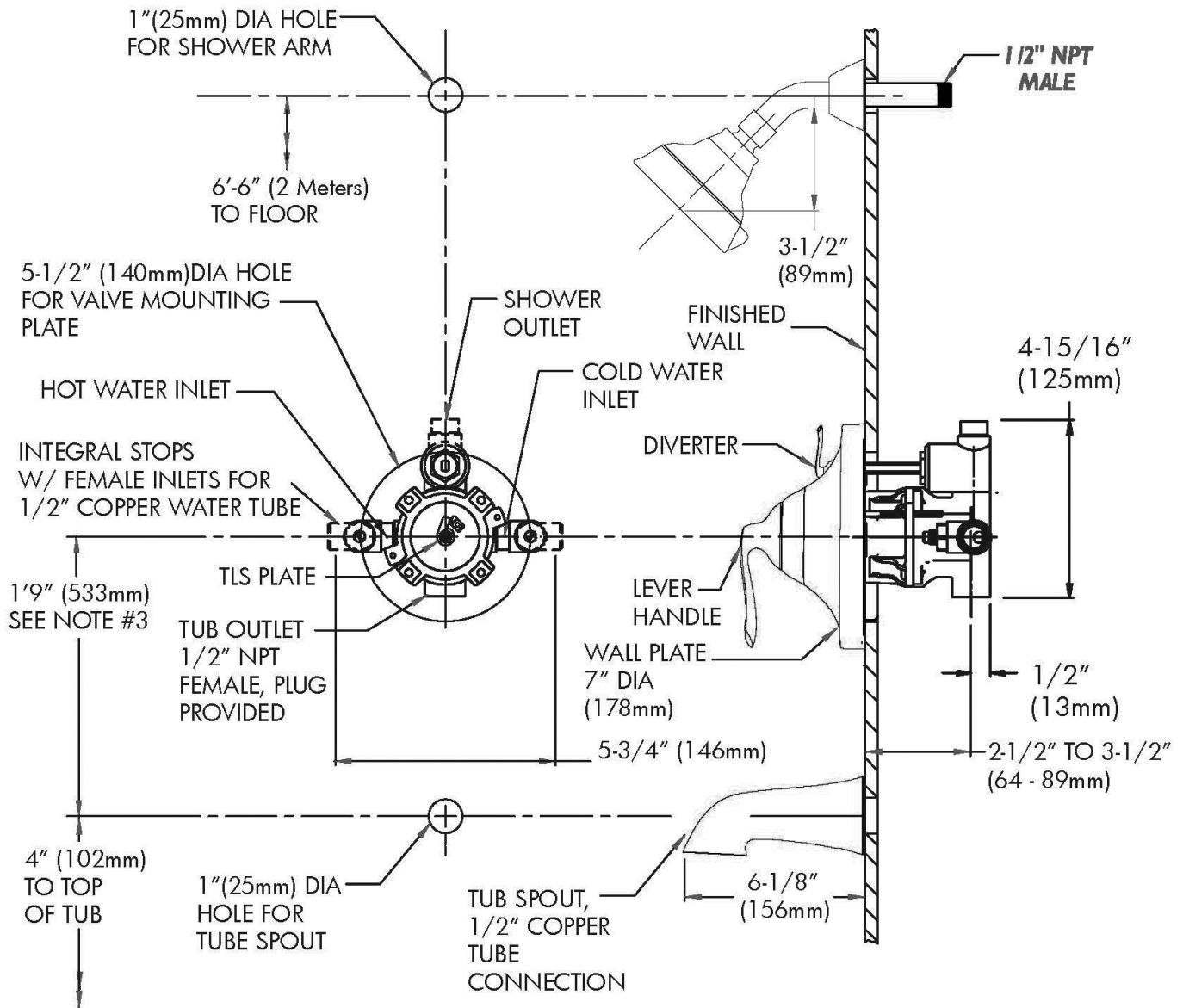
- SM-7430-P: with S-1561 tub spout
- SM-7410-P: without S-1561 tub spout

WARRANTY:

- Consumer Shower Head: Limited Lifetime Warranty
- Commercial Shower head: 1 Year Limited
- Valve: 5 Year Limited
- Accessories: 1 Year Limited



DIMENSIONS: NOTE: 1. All dimensions are in inches (millimeters) unless otherwise specified and are subject to change without notice. 2. Unless otherwise specified, all inlets and outlets are 1/2" female copper sweat. 3. For ADA mounting locations, consult ADAAG, ANSI A117.1, or static regulations. Contractor pack valves & trim kits available.



Architect/Engineer Approval Space:

SPEAKMAN
400 ANCHOR MILL ROAD
NEW CASTLE, DE 19720

P: 800-537-2107
F: 800-977-2747
W: WWW.SPEAKMAN.COM
R: MAR. 2015