



12x12 SONORA GAZEBO

Model # 1804524 | Owner's Manual & Assembly Instructions

MANUFACTURED BY:
Backyard Discovery
3305 Airport Drive
Pittsburg, KS 66762
800-856-4445



INSTALLATION SERVICES AVAILABLE!*

Need a helping hand?

Let our team of professionals handle the installation for you!

GOCONFIGURE
888-888-5424

*Installation services are only available to U.S. customers.

average 2 person assembly time



assembly time may vary based on skill level

Before you begin >>>

FOR QUICK & EASY ASSEMBLY
FIND 3D INSTRUCTIONS FOR THIS PRODUCT IN

BILT.

DOWNLOAD THE FREE APP



For the most up to date assembly manual, to register your set, or to order replacement parts please visit

www.backyarddiscovery.com

SAVE THIS ASSEMBLY MANUAL FOR FUTURE REFERENCE IN THE EVENT THAT YOU NEED TO ORDER REPLACEMENT PARTS.

Para obtener instrucciones en español, visite www.backyarddiscovery.com



GOCONFIGURE
Putting it all together for you

INSTALLATION SERVICES AVAILABLE!*

Need a helping hand?

Let our team of professionals handle the installation for you!

GOCONFIGURE
888-888-5424

**Installation services are only available
to U.S. customers.*

With Go Configure, we bring you 18 years of experience right to your doorstep. We service a wide array of indoor and outdoor recreation products that most consumers don't have the time or ability to deliver & install themselves.

We do the heavy lifting, so you don't have to!

- 18+ Years of Experience Servicing Big Box Retailers and Direct Consumers
- Highly Skilled, Specialized, Courteous, Professional Service Technicians
- Over 140,000 Installations Annually
- White Glove Service

- Satisfaction Guarantee
- Flexible Appointments, including weekends
- Coverage across the nation

Visit www.goconfigure.com for more info!

**Installation services are only available to U.S. customers.*



The store where you made your purchase does not stock parts for this item. If you have assembly questions or you are missing or have damaged parts, please call

1-800-856-4445

you can also visit www.backyarddiscovery.com
or e-mail customerservice@backyarddiscovery.com

Please have the following information ready when you make your call:

- Model Number of the product located on the front of the assembly manual
 - The item description and number from the parts list from the manual that was included in your box
-
- Read entire assembly manual, paying special attention to the important tips and safety information.
 - To ensure there are no missing pieces do a complete inventory by first separating and identifying all parts.
 - Make sure to check packing material for small parts that may have fallen out during shipment.
 - Structures are not intended for public use. The Company does not warranty any of its residential structures subjected to commercial use.
 - This manual contains helpful information concerning assembly preparation, installation procedure and required maintenance.
 - Always keep safety in mind as your structure is being built.
 - Keep these instructions for future reference.



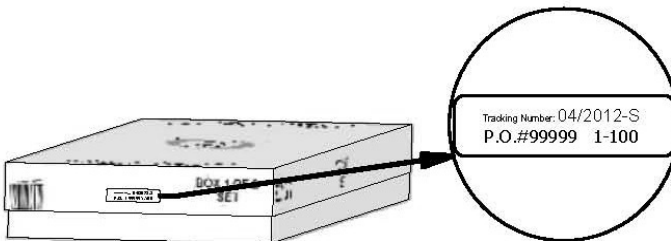
Please read entire booklet completely before beginning the assembly process

Please retain these instructions and your receipt for future reference. Keep them in a safe place where you can refer to them as needed. In order to provide you with the most efficient service, it is required that you provide us with the part numbers when ordering parts.

For Your Records:

Please take time and fill out the information below. This information will be needed for warranty issues.

Where Purchased: _____
 Date of Purchase: _____
 Installation Date: _____
 Installed by: _____
 Tracking Number: _____



Tracking Number Reference Label

Tracking ID number on the carton and on the bottom of the vertical ID plate are included for tracking purposes associated with warranty claims.

This Limited Warranty by Backyard Discovery applies to products manufactured under the Backyard Discovery brand or its other brands including but not limited to Backyard Botanical, Adventure Playsets, and Leisure Time Products.

Backyard Discovery warrants that this product is free from defect in materials and workmanship for a period of one (1) year from the original date of purchase. This one (1) year warranty covers all parts including wood, hardware, and accessories. All wood carries a five (5) year pro-rated warranty against rot and decay. Refer to the schedule below for charges associated with replacement of parts under this Limited Warranty. In addition, Backyard Discovery will replace any parts within the first 30 days from date of purchase found to be missing from or damaged in the original packaging.

This warranty applies to the original owner and registrant and is non-transferable. Regular maintenance is required to assure maximum life and performance of this product. Failure by the owner to maintain the product according to the maintenance requirements may void this warranty. Maintenance guidelines are provided in the Owner's Manual.

This Limited Warranty does not cover:

- Installation
- Labor for any inspection
- Labor for replacement of any defective item(s)
- Incidental or consequential damages
- Cosmetic defects which do not affect performance or integrity of a part or the entire product
- Vandalism, improper use, failure due to loading or use beyond the capacities stated in the applicable Assembly Manual.
- Acts of nature including but not limited to wind, storms, hail, floods, excessive water exposure
- Improper installation including but not limited to installation on uneven, unlevel, or soft ground
- Minor twisting, warping, checking, or any other natural occurring properties of wood that do not affect performance or integrity

Backyard Discovery products have been designed for safety and quality. Any modifications made to the original product could damage the structural integrity of the unit leading to failure and possible injury. Modification voids any and all warranties and Backyard Discovery assumes no liability for any modified products or consequences resulting from failure of a modified product.

This product is warranted for RESIDENTIAL USE ONLY. Under no circumstance should a Backyard Discovery product be used in public settings. Such use may lead to product failure and potential injury. Any and all public use will void this warranty. Backyard Discovery disclaims all other representations and warranties of any kind, express or implied.

Pro Rated Part Replacement Schedule

<u>Product Age</u>	<u>Customer Pays</u>
All Parts	
0-30 days from date of purchase	\$0 and free shipping
31 days to 1 year	\$0 + S&H
Wood Rot and Decay Only	
1 year	\$0 and free shipping
2 year	20% + S&H
3 year	40% + S&H
4 year	60% + S&H
5 year	80% + S&H
Over 5 years	100% + S&H



WARNING

IT IS IMPORTANT TO CHECK AND TIGHTEN ALL HARDWARE AT THE BEGINNING AND DURING THE SEASON AS THEY MAY LOOSEN DUE TO WOOD EXPANSION AND CONTRACTION.

- **DO NOT climb or walk on the roof for any reason**
- **Requires two or more people to assemble safely**
- **Check for underground utilities before digging or driving stakes into the ground.**
- **Check carefully for overhead lines and ensure there is at least 6ft (2m) clearance from any overhead electrical wires.**
- **Permanent structures may require a building permit. As the purchaser and or installer of this product you are advised to consult local planning, zoning and building inspection departments for guidance on applicable building codes and/or zoning requirements.**
- Wood is NOT flame retardant and will burn. Grills, fire pits and chimineas are a fire hazard if place too close to your structure.
- Wear gloves to avoid injury during installation.
- During installation, follow all safety warnings provided with your tools and use safety glasses.
- Check all nuts and bolts twice monthly during the usage season and tighten as required.(But not so tight that you crack the wood) It is particularly important that this procedure be followed at the beginning of each season.
- Oil all metallic moving parts monthly during the usage period.
- Check all coverings for bolts and sharp edges twice monthly during usage season to be certain they are in place. Replace when necessary. It is especially important to do this at the beginning of each new season.
- For rusted areas on metallic members such as hinges, brackets, etc. sand and repaint, using a non lead-based paint meeting the requirements of Title 16 CRF Part 1303.
- Inspect wood parts monthly. The grain of the wood sometimes will lift in the dry season causing splinters to appear. Light sanding may be necessary to maintain a safe environment. Treating your Product with protection (sealant) after sanding will help prevent severe checking/splitting and other weather damage.
- We have applied a waterborne translucent stain to your unit. This is done for color only. Once or twice a year, depending on your climate conditions, you must apply some type of protection (sealant) to the wood of your unit. Prior to the application of sealant, lightly sand any "rough" spots on your set. Please note this is a requirement of your warranty.

OWNERS SHALL BE RESPONSIBLE FOR MAINTAINING THE LEGIBILITY OF THE WARNING LABELS



Your Backyard Discovery structure is designed and constructed of quality materials. As with all outdoor products it will weather and wear. To maximize the enjoyment, safety and life of your structure it is important that you properly maintain it.

About Our Wood

Backyard Discovery uses 100% Cedar (C. Lanceolata) wood. Although we take great care in selecting the best quality lumber available, wood is still a product of nature and susceptible to weathering which can change the appearance of your set.

What causes weathering? Does it affect the strength of my product?

One of the main reasons for weathering is the effects of water (moisture); the moisture content of the wood at the surface is different than the interior of the wood. As the climate changes, moisture moves in or out of the wood, causing tension which can result in checking and or warping. You can expect the following due to weathering. These changes will not affect the strength of the product:

1. Checking is surface cracks in the wood along the grain. A post (4" x 4") will experience more checking than a board (1" x 4") because the surface and interior moisture content will vary more widely than in thinner wood.

2. Warping results from any distortion (twisting, cupping) from the original plane of the board and often happens from rapid wetting and drying of the wood.

3. Fading happens as a natural change in the wood color as it is exposed to sun-light and will turn grey over time.

How can I reduce the amount of weathering to wood product?

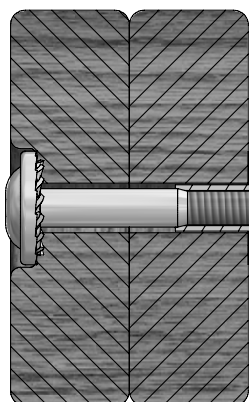
1. Your wood product is coated with a water-based stain. Sunlight will break down the coating, so we recommend applying a water repellent or stain on a yearly basis (see your local stain and paint supplier for a recommended product). You must apply some type of protection (sealant) to the wood of your product. **Please note this is a requirement of your warranty.** Most weathering is just the normal result of nature and will not affect safety. However if you are concerned that a part has experienced a severe weathering problem please call our customer service department for further assistance.

2. Inspect wood parts monthly. The grain of the wood sometimes will lift in the dry season causing splinters to appear. Light sanding may be necessary to maintain a safe environment. Treating your Product with protection (sealant) after sanding will help prevent severe checking/ splitting and other weather damage.



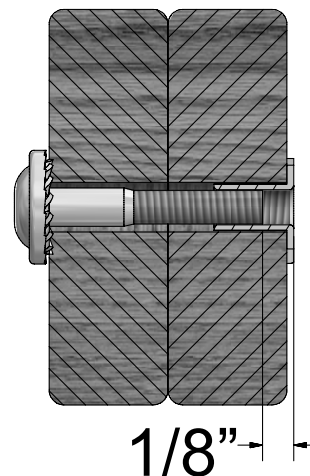
Protrusion Hazard

Incorrect



If you see exposed threads and your bolt protrudes beyond the T-Nut you may have over tightened the bolt. To eliminate this, remove the bolt and add washers to eliminate the problem.

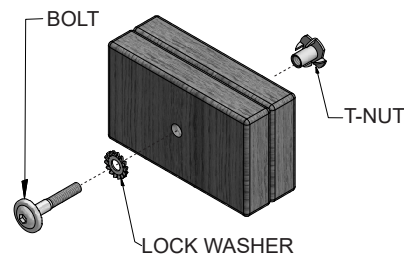
Correct



Proper Hardware Assembly

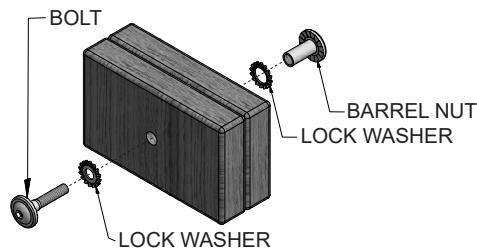
Bolt and T-Nut Assembly

Tap T-nut into the provided hole. Insert your bolt through the lock washer and insert into the provided hole opposite from the T-Nut. Turn clockwise to thread into T-nut. Do not completely tighten until instructed.



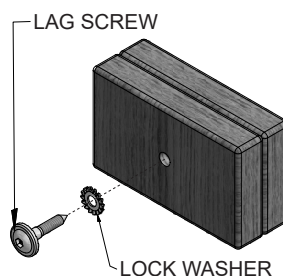
Bolt and Barrel Nut Assembly

Insert barrel nut through the lock washer and press the pair through the provided hole. Insert your bolt through the second lock washer and insert the pair into the provided hole opposite from the barrel nut. Turn clockwise to thread into the barrel nut. Do not completely tighten until instructed.



Lag Assembly

Normally there will be a pre-drilled pilot hole on assemblies that require a Lag Screw. If there is no pilot hole, line up the two boards as they are to be attached and use the factory drilled hole as a guide to drill another pilot hole into the adjoining board. This will keep the wood from splitting. Only a lock washer is required for steps with Lag Screws.

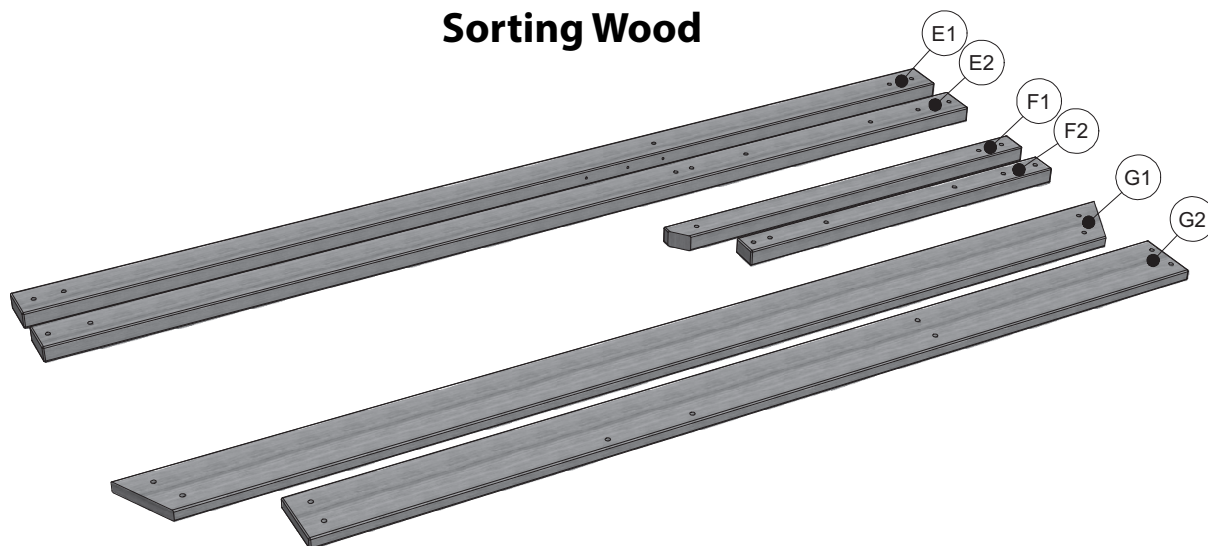




ASSEMBLY TIP:

Keep an eye out for these boxes which will contain helpful pictures and information making the assembly process as quick and painless as possible.

Sorting Wood



When removing the wood from the boxes we recommend arranging them by part number before you begin assembly. This will allow for faster assembly and easily identify any parts that may be missing or damaged.

Sorting Hardware

NUT BARREL
H100545



SCREW
H100695



T-NUT
H100699



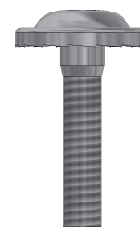
WASHER FLAT
H100706



BOLT HEX
H100716



BOLT
H100718



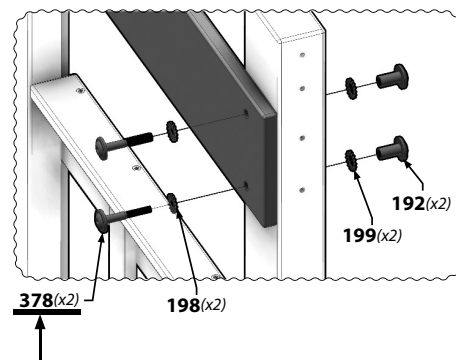
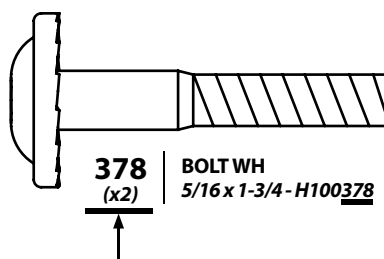
SCREW PWH
H100742



To help with assembly we recommend sorting your hardware bags with the seven digit alpha-numeric number printed on the bags or by hardware type (i.e. bolts, nuts, etc.). Organizing your hardware will make assembly easier.

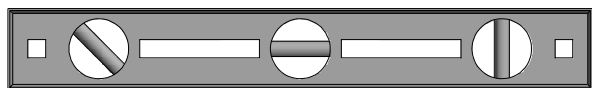
Hardware Identification

Hardware bags are printed with a seven digit alpha-numeric part number. During assembly you only need to reference the last three digits of the part number as noted in each step. This will make finding the correct hardware easier.

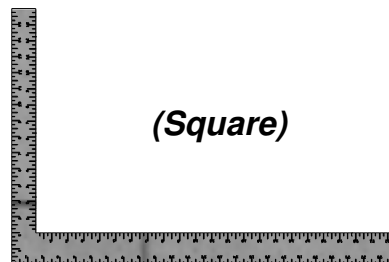




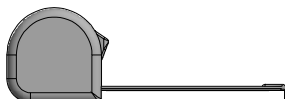
(These are the tools that are generally required for assembly of our outdoor products. These tools are not included with the outdoor product purchase.)



(Level 24")



(Square)



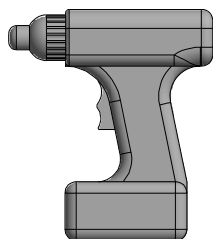
(Tape Measure)



(Phillips Screw Driver)



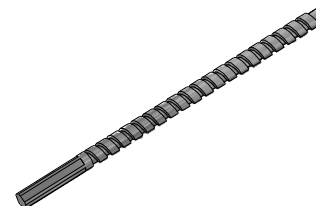
(Rubber Mallet - Optional)



(Cordless Drill or Electric Drill)



(Drill Attachments: Phillips Head, 5/16" & 3/8" Socket Drivers)



(3/16" Concrete Drill Bit)



(3/8" Drive Ratchet, 3/4" STD Sockets)



(Open End Wrenches 3/4")



(An Adult w/ an Adult Helper)



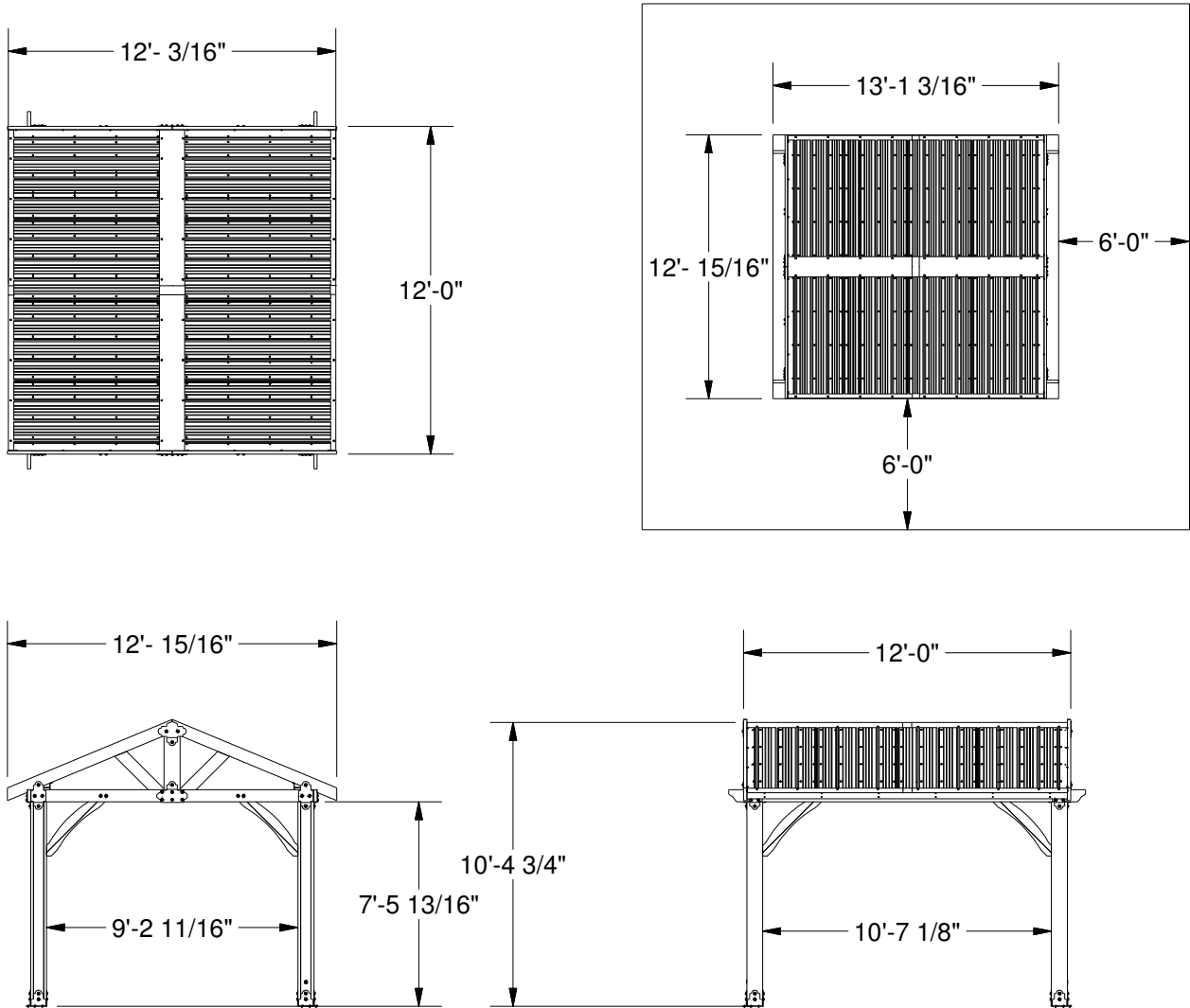
(Ladder)(2)



(Claw Hammer)

Basic Setup Dimensions

Install unit on level ground. Check carefully for overhead lines and ensure there is at least 6ft (2m) clearance from the roof to any overhead lines.



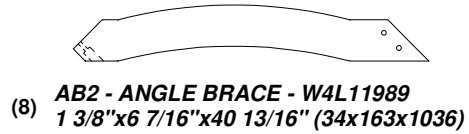
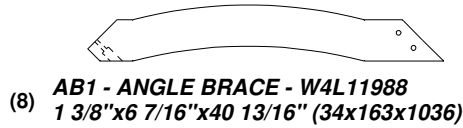
Important Assembly Notes

- 1) While assembling unit, take time before and after each phase to make sure unit is level. If unit is not level, assembly will be difficult and improper assembly may result. Extra care must be taken to ensure the unit is square.*
- 2) Pay close attention to the ITEMS NEEDED FOR EACH PHASE. They can be a valuable aid when sorting your wood and hardware. Assembly will be made easier if items are sorted by phase.*
- 3) Pay close attention to make sure you are using the correct hardware in the correct phases. Using incorrect hardware may result in improper assembly.*
- 4) Read the steps of each phase thoroughly. The written steps may include important information not shown in the illustrations.*

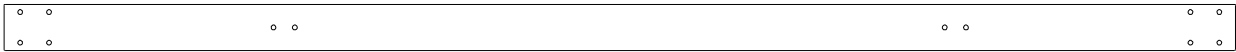
Important Note:

In the event the INK STAMP identifier is not easy to read or is missing from a wood component, match the unique geometric shape and dimensions of the wood component found in a specific assembly step to the PARTS IDENTIFICATION section when required. This will aid in identifying the part for assembly and (or) customer service issues.

Parts Identification
Wood Components
(NOT TO SCALE)



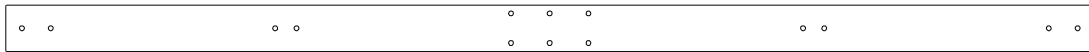
(2) **D1 - BEAM - W4L11976**
1 3/8"x5 1/4"x134 1/8" (36x134x3408)



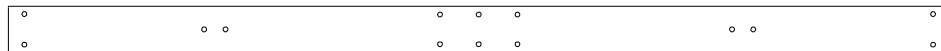
(2) **D2 - BEAM - W4L11978**
1 3/8"x5 1/4"x141 1/8" (36x134x3586)



(4) **D3 - BEAM - W4L11977**
1 3/8"x5 1/4"x11 1/2" (36x134x292)



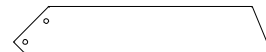
(2) **D4 - BEAM - W4L11979**
1 3/8"x5 1/4"x124 3/4" (36x134x3168)



(2) **D5 - BEAM - W4L11980**
1 3/8"x5 1/4"x105 7/8" (36x134x2740)



(4) **D6 - ANGLE BRACE - W4L11986**
1 3/8"x5 1/4"x31 3/4" (36x134x805)



(4) **D7 - ANGLE BRACE - W4L11987**
1 3/8"x5 1/4"x29 5/8" (36x134x751)



(4) **E1 - OUTSIDE RAFTER - W4L11982**
1 3/8"x3 3/8"x76 3/8" (36x86x1948)



(8) **E2 - RAFTER - W4L11981**
1 3/8"x3 3/8"x76 3/4" (36x86x1948)

Important Note:

In the event the INK STAMP identifier is not easy to read or is missing from a wood component, match the unique geometric shape and dimensions of the wood component found in a specific assembly step to the PARTS IDENTIFICATION section when required. This will aid in identifying the part for assembly and (or) customer service issues.

Parts Identification
Wood Components
(NOT TO SCALE)



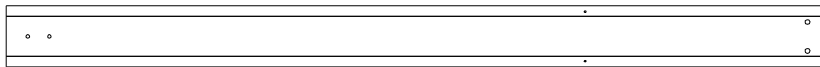
- (8) **E3 - SHEATHING BOARD - W4L11984**
1 3/8"x3 3/8"x141" (36x86x3582)



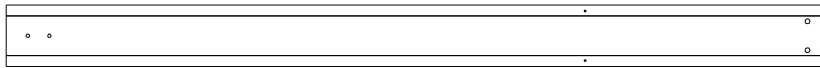
- (2) **H1 - RAFTER - W4L11983**
1"x3 3/8"x127 1/16" (24x86x3228)



- (2) **H2 - FASCIA - W4L11985**
1"x3 3/8"x141" (24x86x3582)



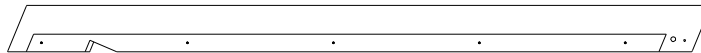
- (2) **PT1 - POST - W2A02715**
7"x7"x94 7/16" (178x178x2400)



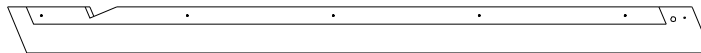
- (2) **PT2 - POST - W2A02716**
7"x7"x94 7/16" (178x178x2400)



- (2) **PT3 - POST - W2A02718**
7"x7"x32 1/2" (178x178x826)



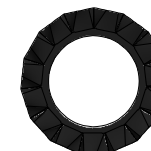
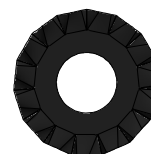
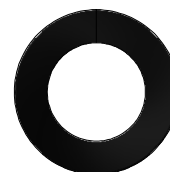
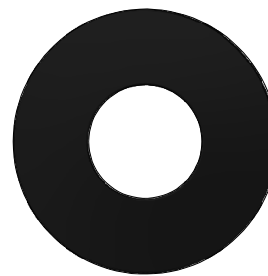
- (2) **RP1 - END RAFTER - W2A02719**
2 13/16"x5 1/4"x80 5/8" (72x134x2048)



- (2) **RP2 - END RAFTER - W2A02720**
2 13/16"x5 1/4"x80 5/8" (72x134x2048)

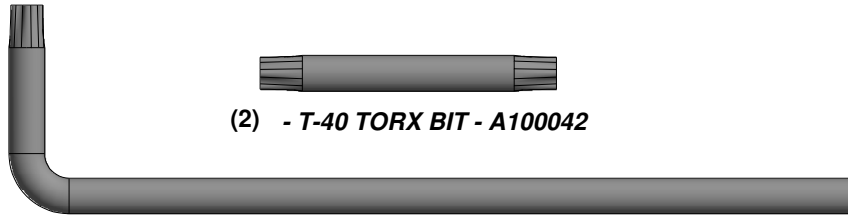
Parts Identification

Hardware



Parts Identification

Hardware



(2) - T-40 TORX BIT - A100042

(2) - T-40 TORX WRENCH - A100041



(22) - BOLT HEX 1/2x11 BLK - H100751



(9) - BOLT HEX 1/2x9 1/2 BLK - H100756



(58) - BOLT HEX 1/2x4 BLK - H100752



(9) - BOLT HEX 1/2x2-1/2 BLK - H100763



(9) - LAG SCREW HEX 1/2x4 BLK - H100762



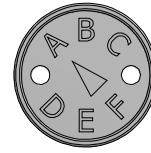
(52) - LAG SCREW HEX 1/2x2 BLK - H100758

Parts Identification

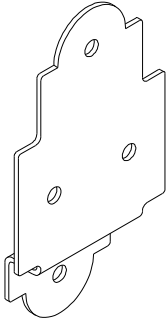
Accessories (NOT TO SCALE)



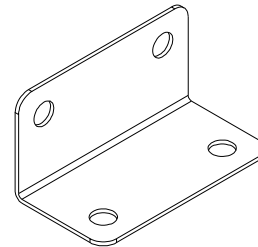
(1) - BYD ID TAG (SMALL) WITHOUT AGES - A100241



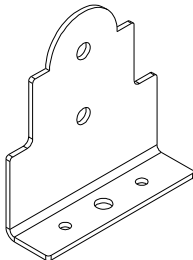
(1) - "A" REVISION TAG - A100314



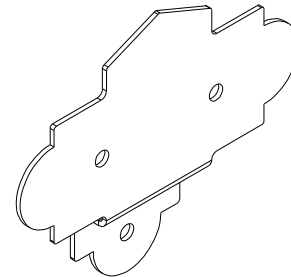
(4) - GAZEBO BRACKET - A4M00947



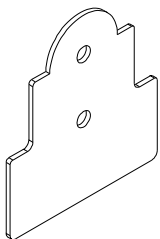
(4) - L.BRACKET 66x66x127 - BLK - A4M00946



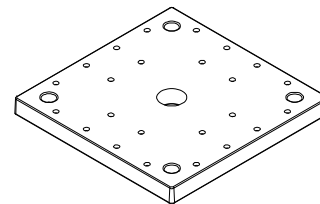
(8) - STEEL POST ANCHORING PLATE WITH FLANGE - A4M00949



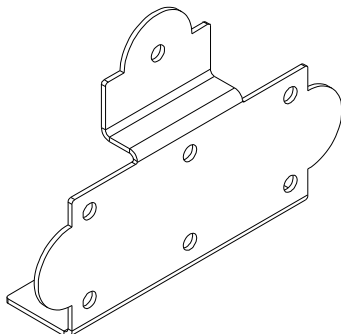
(2) - GAZEBO BRACKET - A4M00948



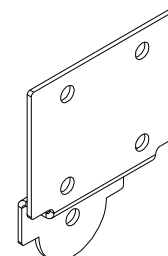
(8) - STEEL POST PLATE - A4M00950



(4) - 7x7 POST FOOT - A6P00296



(4) - GAZEBO BRACKET - A4M00968



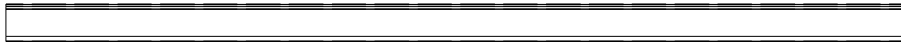
(4) - GAZEBO BRACKET - A4M00969

Parts Identification

Accessories (NOT TO SCALE)



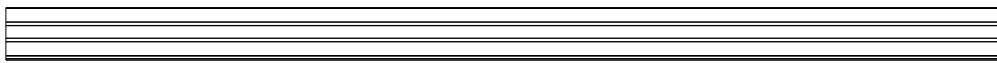
(8) - 29 GA STEEL SHEETING - A4M00980
.014"x37.01"x77.75" (.34x940x1975)



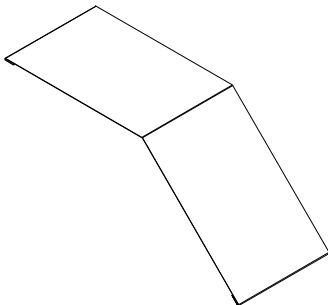
(4) - DRIP EDGE 29 GA - A4M00956



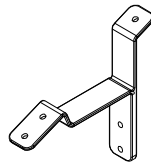
(2) - 6 X 6 HIP/RIDGE CAP 29 GA - A4M00954



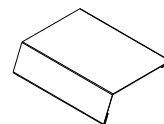
(4) - ROOF SPACER - A4M00975



(1) - 6 X 6 HIP/RIDGE CAP SPLICE - A4M00955



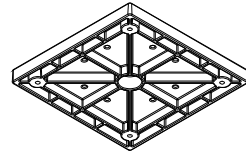
(8) - ROOF BRACKET - A4M00961



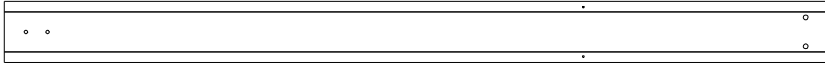
(1) - DRIP EDGE 29 GA SPLICE - A4M00970



(2) **PT1 - POST - W2A02715**
7"x7"x94 7/16" (178x178x2400)



(4) - **7x7 POST FOOT - A6P00296**

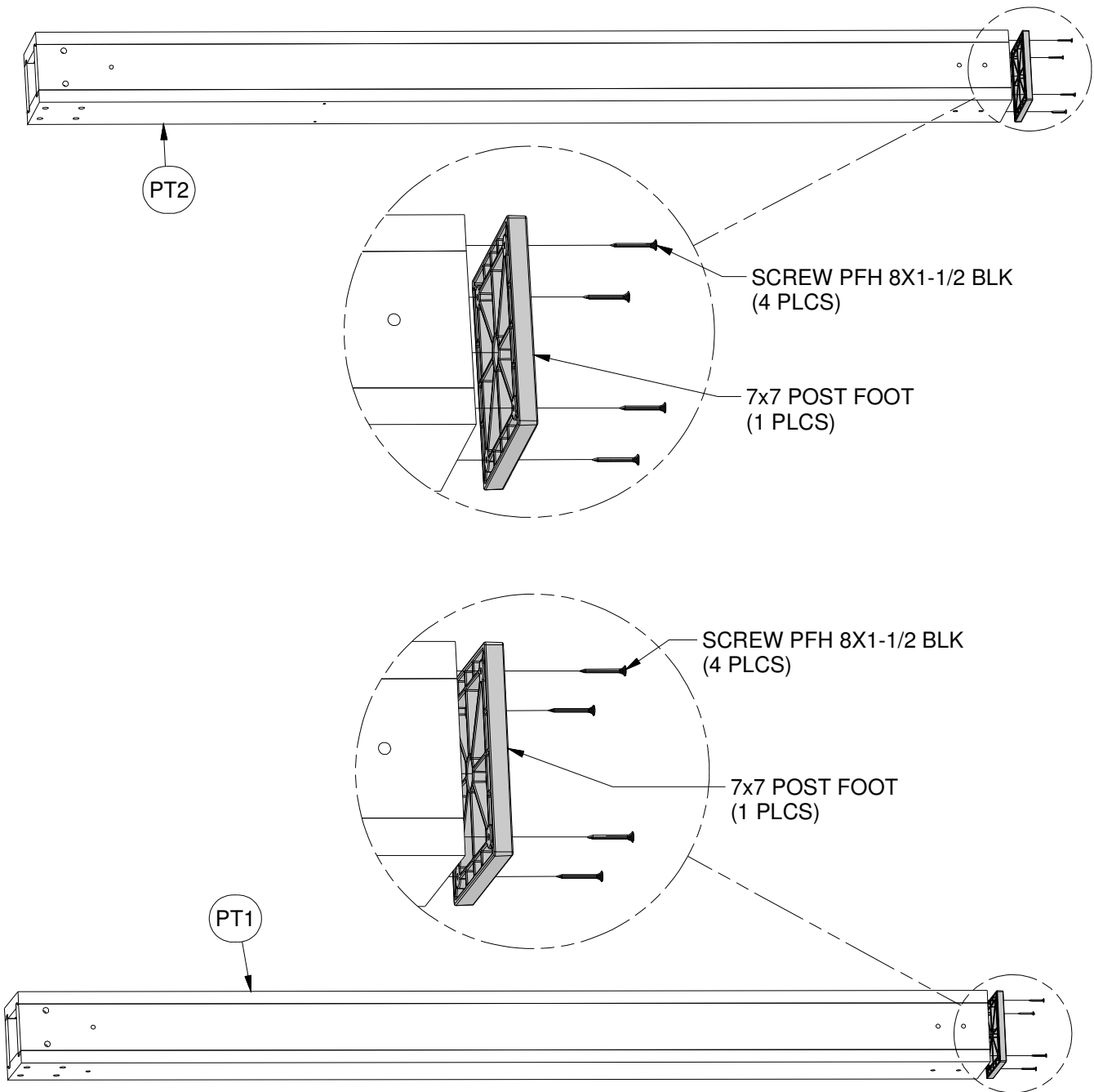
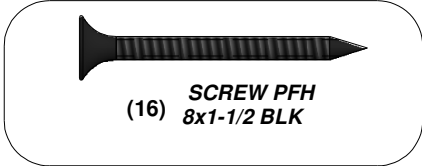


(2) **PT2 - POST - W2A02716**
7"x7"x94 7/16" (178x178x2400)

STEP 1

TIP:
FOR EASE OF ASSEMBLY WE RECOMMEND USING
SAW HORSES FOR STEPS 1 THROUGH 3.

NOTE:
DO THESE STEPS TWICE.



(1) **D1 - BEAM - W4L11976**
 1 3/8"x5 1/4"x134 1/8" (36x134x3408)

(1) **D2 - BEAM - W4L11978**
 1 3/8"x5 1/4"x141 1/8" (36x134x3586)

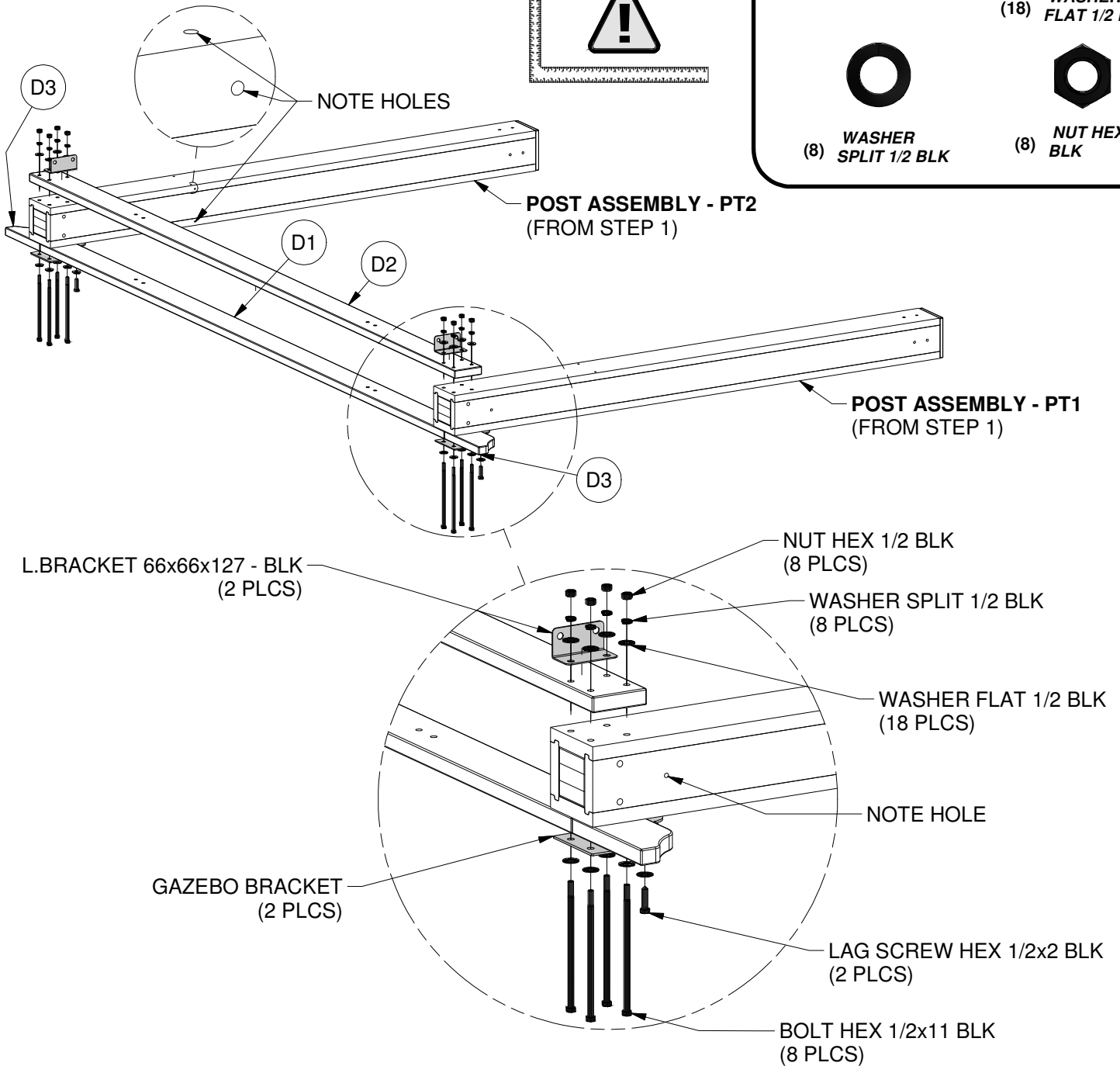
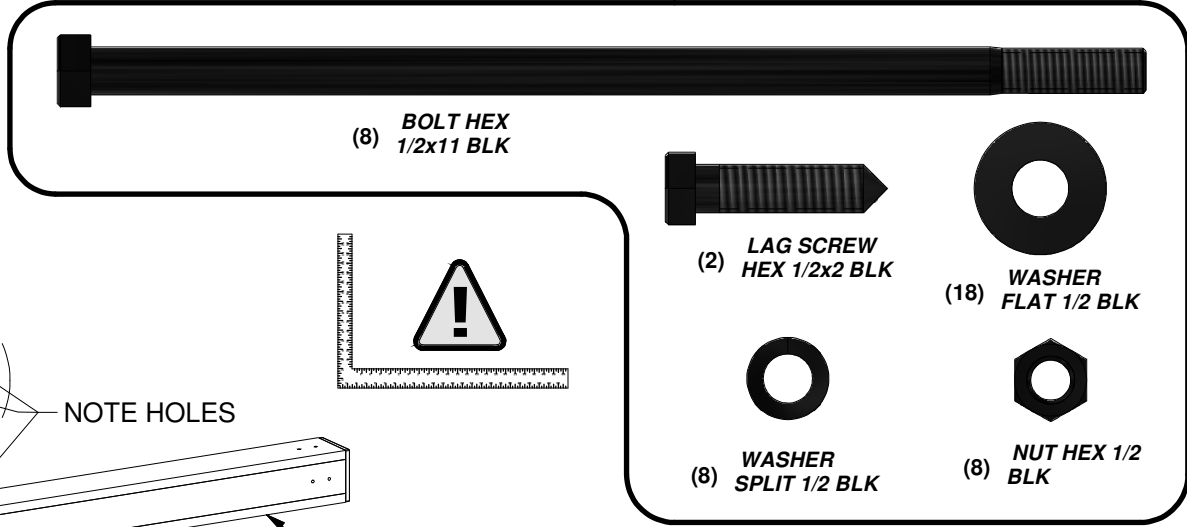
(2) **D3 - BEAM - W4L11977**
 1 3/8"x5 1/4"x11 1/2" (36x134x292)

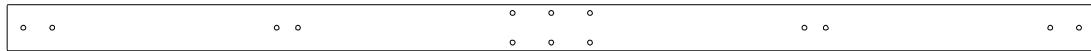
(2) - **L.BRACKET 66x66x127 - BLK - A4M00946**

(2) - **GAZEBO BRACKET - A4M00969**

STEP 2

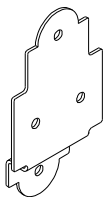
•START ASSEMBLY ON THE GROUND OR SAW HORSES AS SHOWN





(2) **AB1 - ANGLE BRACE - W4L11988**
 1 3/8"x6 7/16"x40 13/16" (34x163x1036)

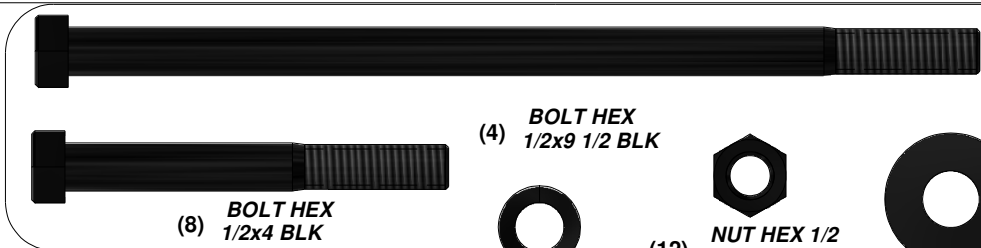
(2) **D4 - BEAM - W4L11979**
 1 3/8"x5 1/4"x124 3/4" (36x134x3168)



(2) **AB2 - ANGLE BRACE - W4L11989**
 1 3/8"x6 7/16"x40 13/16" (34x163x1036)

(2) **- GAZEBO BRACKET - A4M00947**

STEP 3



(4) **BOLT HEX**
 1/2x9 1/2 BLK

(8) **BOLT HEX**
 1/2x4 BLK

(12) **NUT HEX 1/2**
 BLK

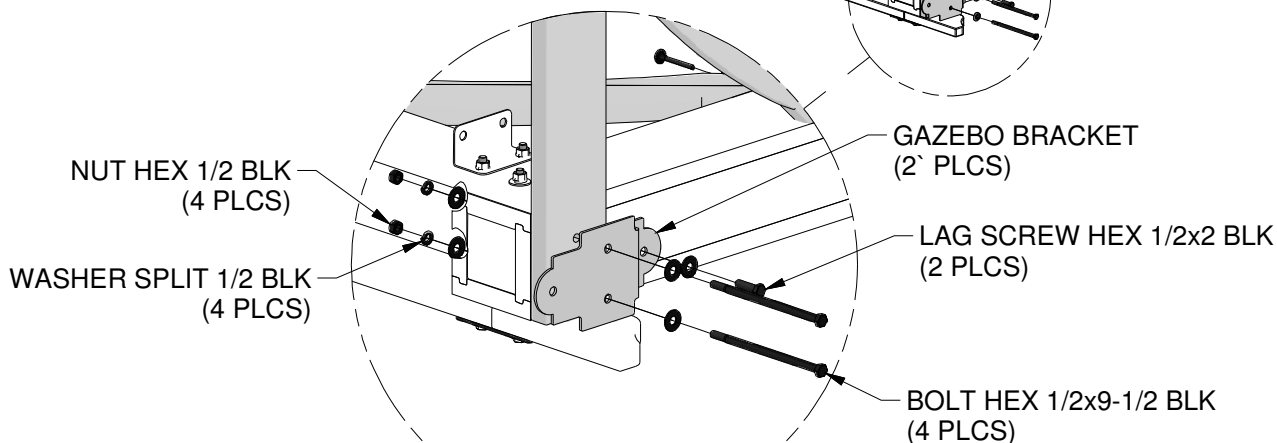
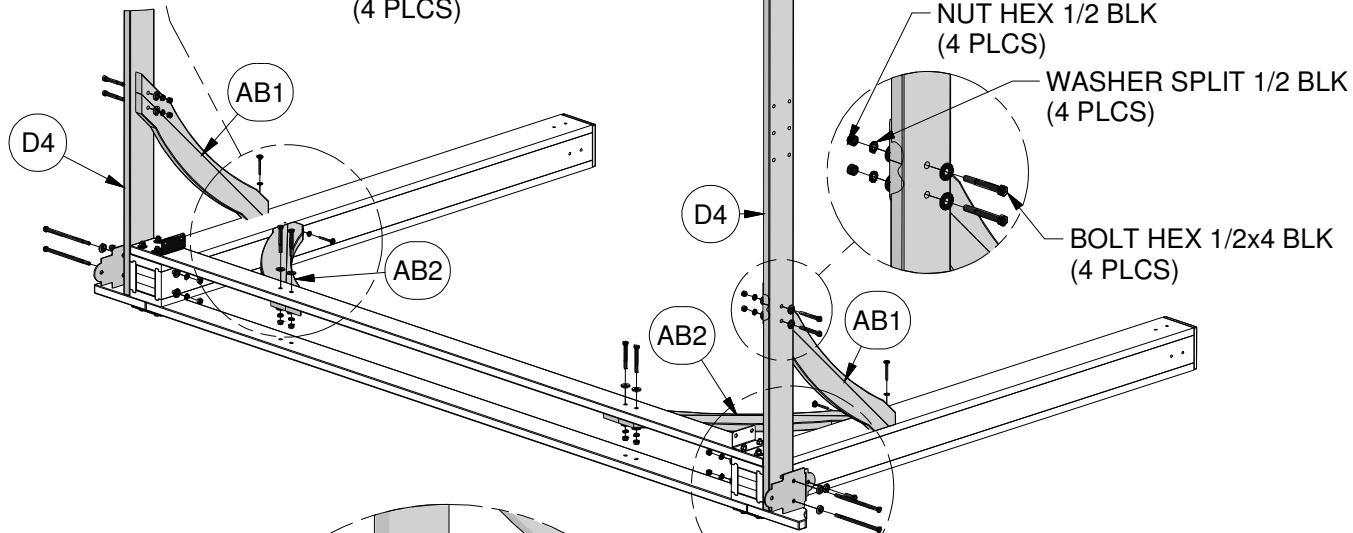
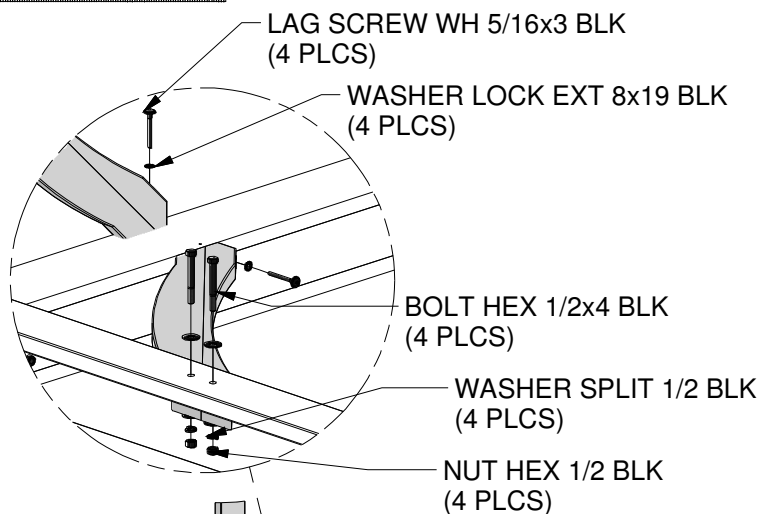
(12) **WASHER**
 SPLIT 1/2 BLK

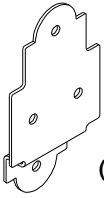
(26) **WASHER**
 FLAT 1/2 BLK

(2) **LAG SCREW**
 HEX 1/2x2 BLK

(4) **LAG SCREW**
 WH 5/16x3 BLK

(4) **WASHER**
 LOCK EXT
 8x19 BLK



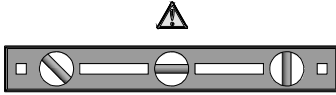


(1) - GAZEBO BRACKET - A4M00947

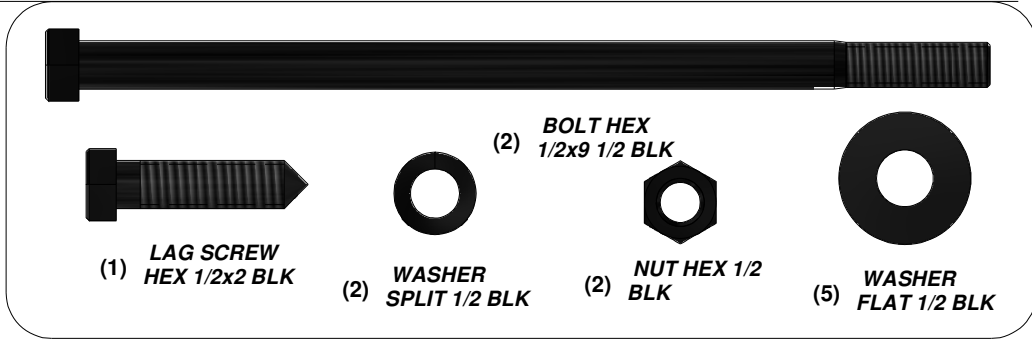


(1) **PT2 - POST - W2A02716**
7"x7"x94 7/16" (178x178x2400)

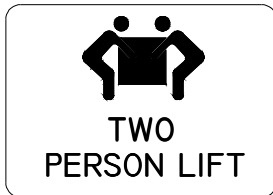
STEP 4



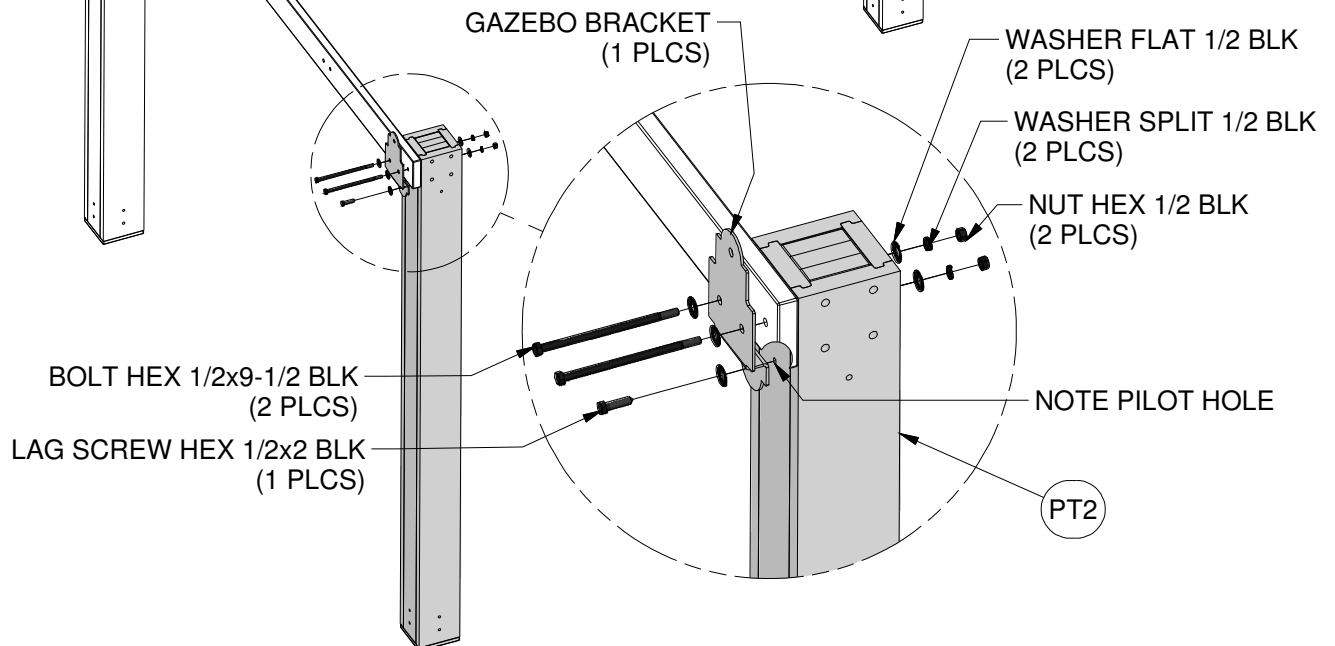
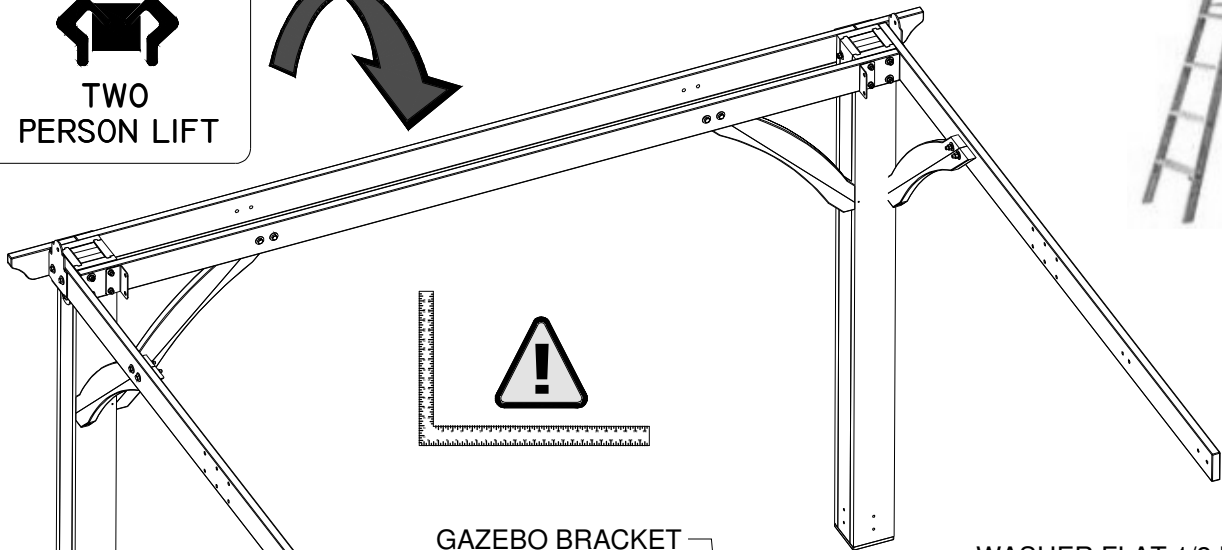
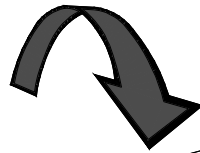
MAKE SURE YOU'RE BUILDING ON LEVEL GROUND AND YOUR STRUCTURE STARTS OFF BOTH SQUARE AND LEVEL.

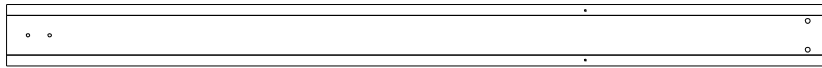
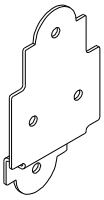


•WITH A HELPER STAND UP ASSEMBLY AND MOUNT 3RD POST.



TWO PERSON LIFT

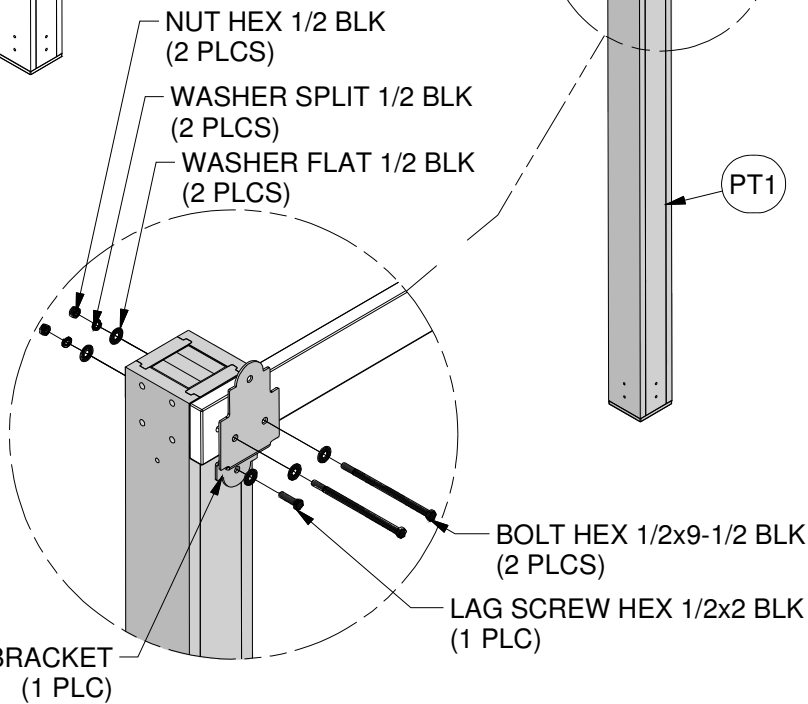
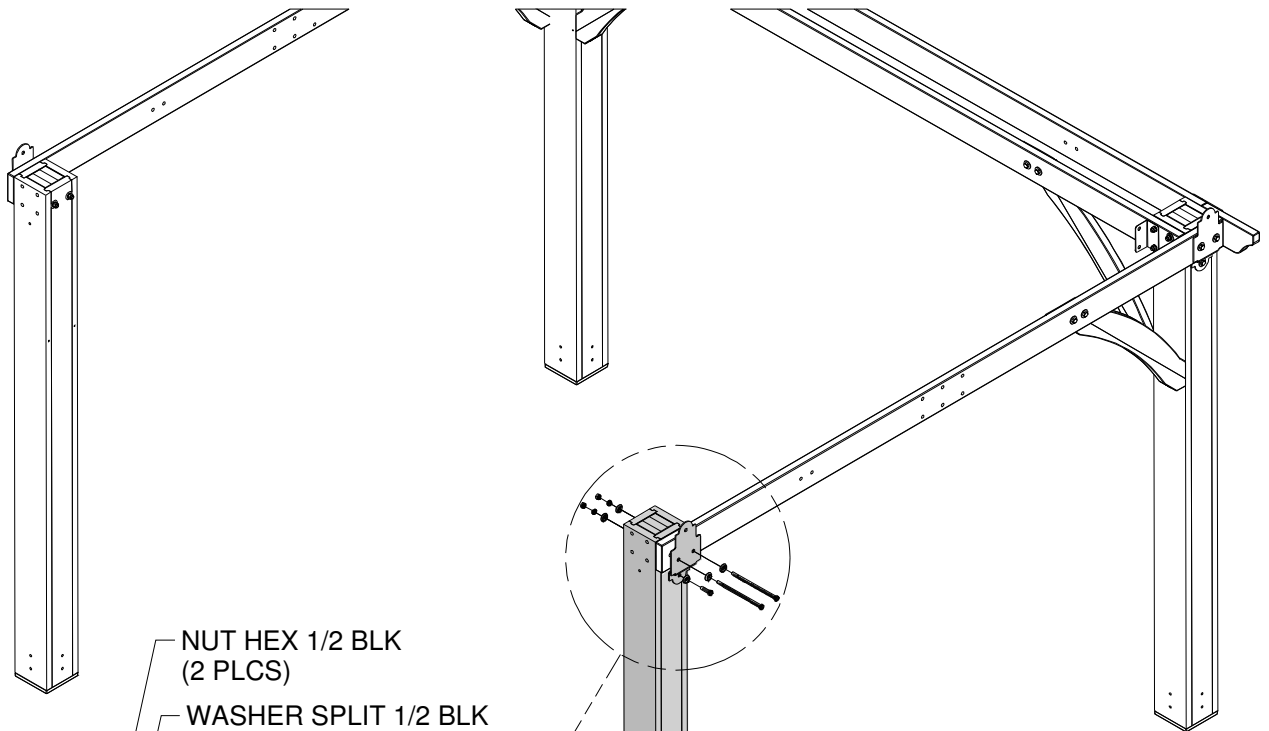
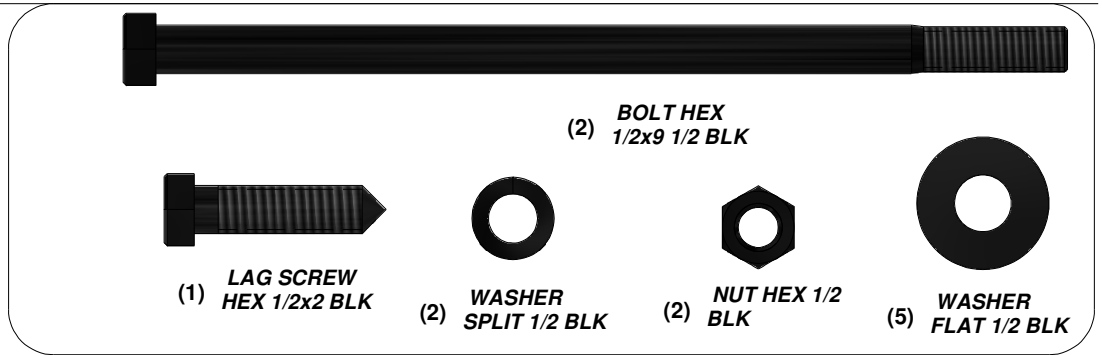




(1) **PT1 - POST - W2A02715**
 7"x7"x94 7/16" (178x178x2400)

(1) - **GAZEBO BRACKET - A4M00947**

STEP 5



(1) **D1 - BEAM - W4L11976**
 1 3/8"x5 1/4"x134 1/8" (36x134x3408)

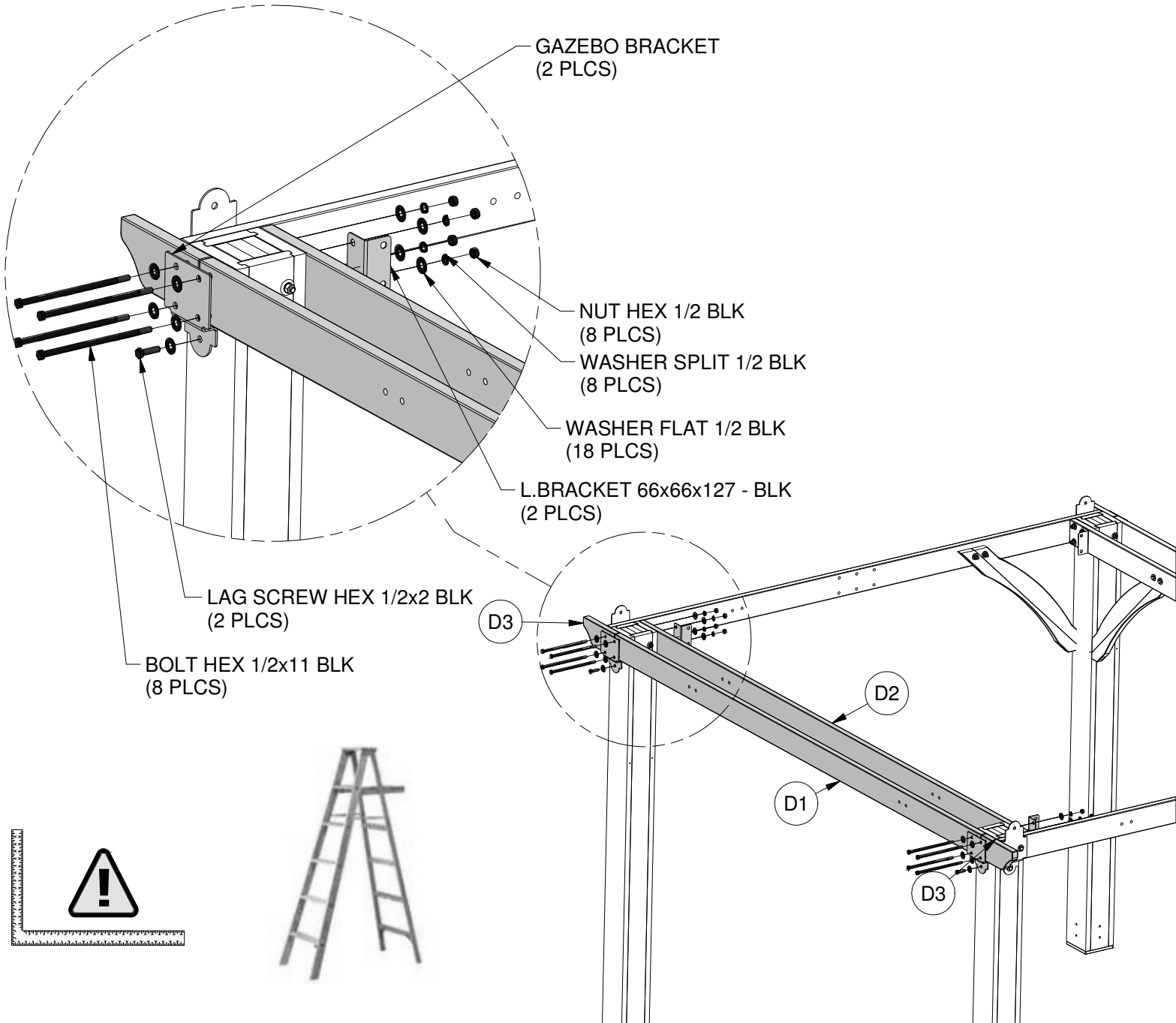
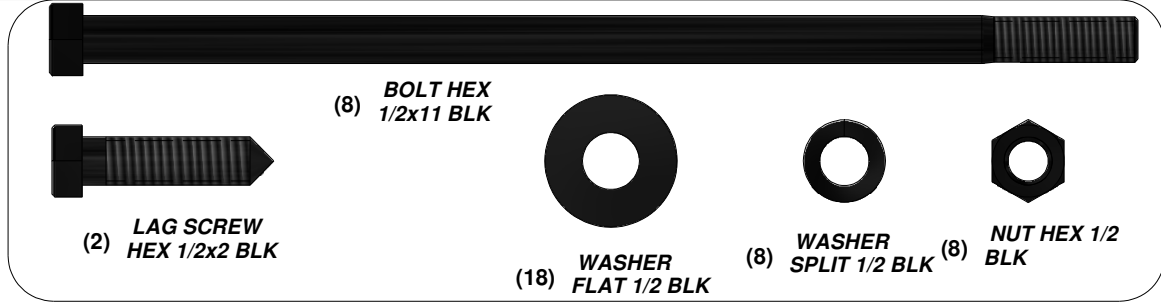
(1) **D2 - BEAM - W4L11978**
 1 3/8"x5 1/4"x141 1/8" (36x134x3586)

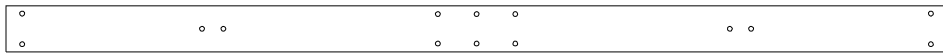
(2) **D3 - BEAM - W4L11977**
 1 3/8"x5 1/4"x11 1/2" (36x134x292)

(2) - **L.BRACKET 66x66x127 - BLK - A4M00946**

(2) - **GAZEBO BRACKET - A4M00969**

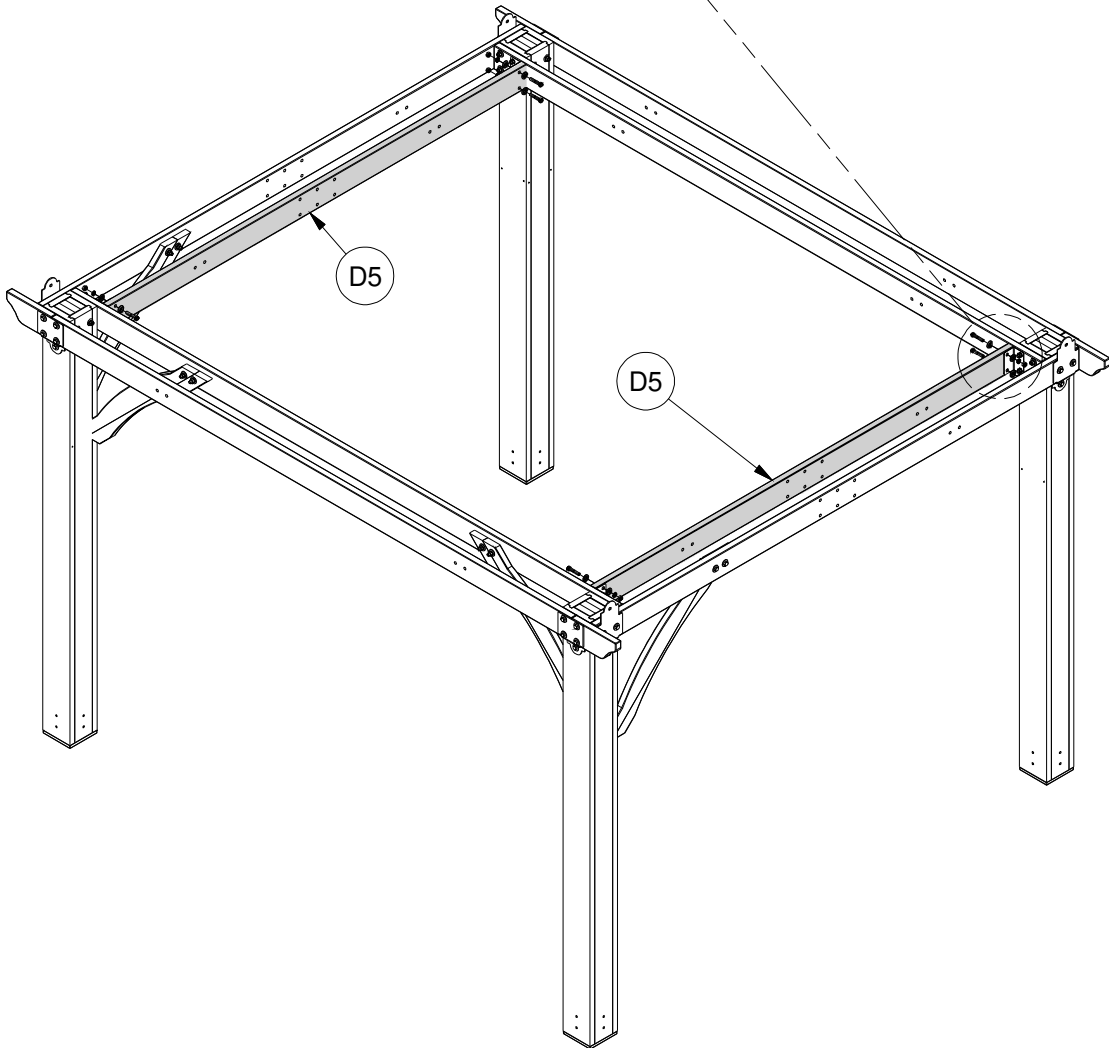
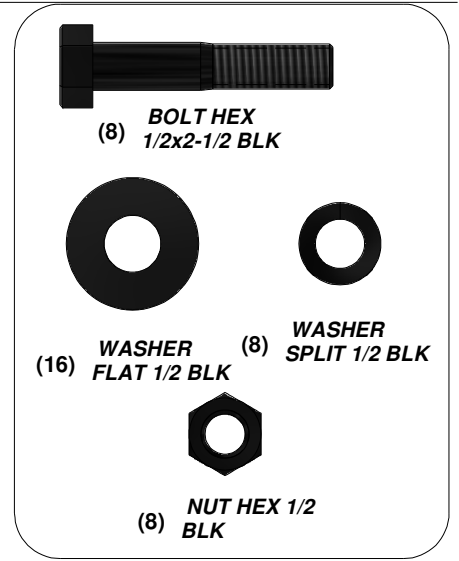
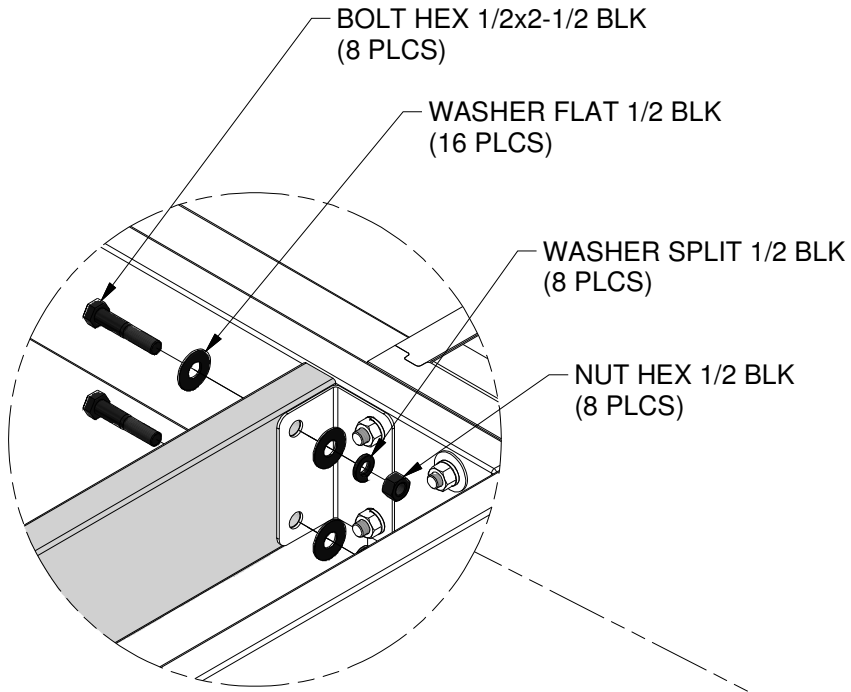
STEP 6





(2) **D5 - BEAM - W4L11980**
1 3/8"x5 1/4"x105 7/8" (36x134x2740)

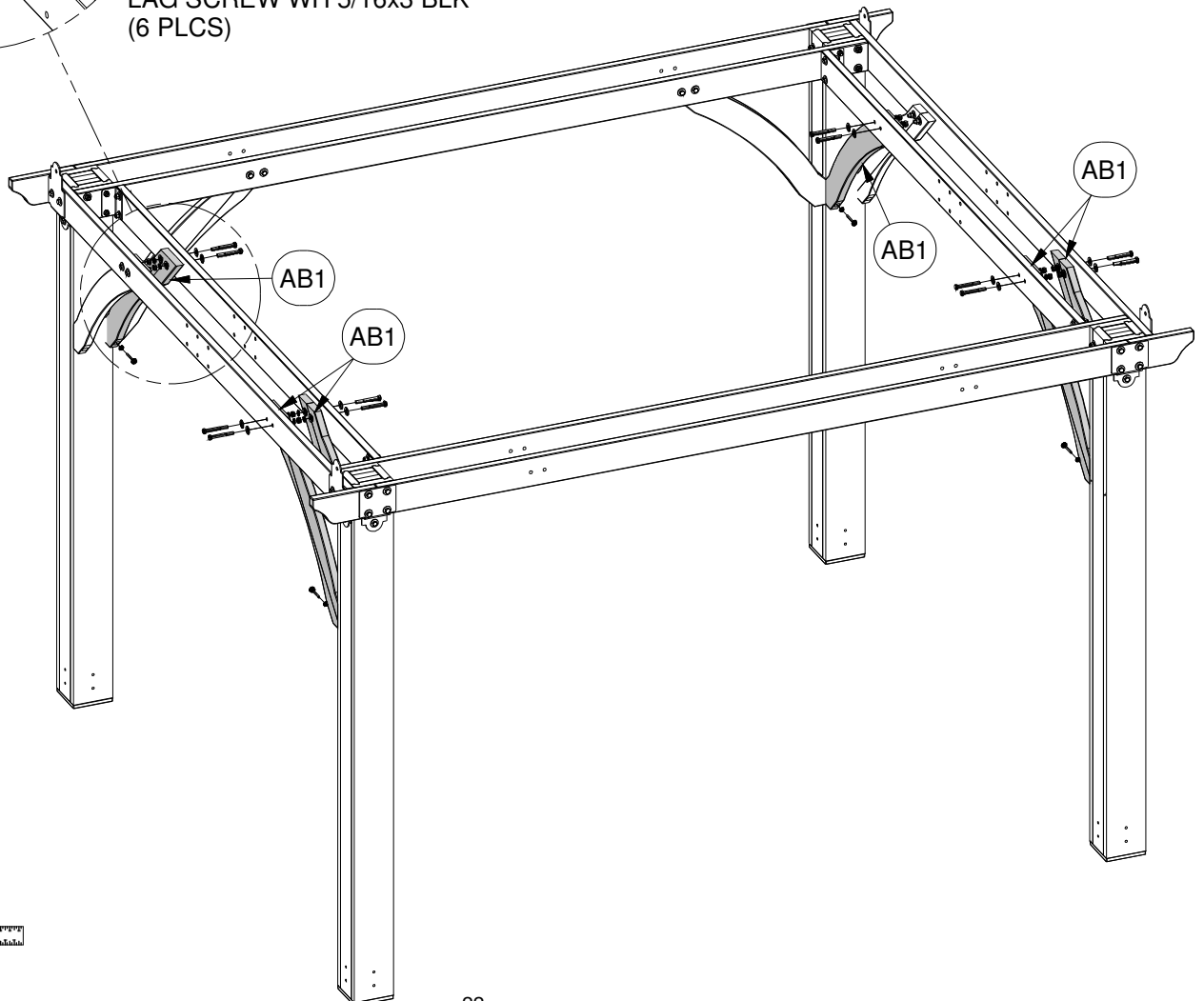
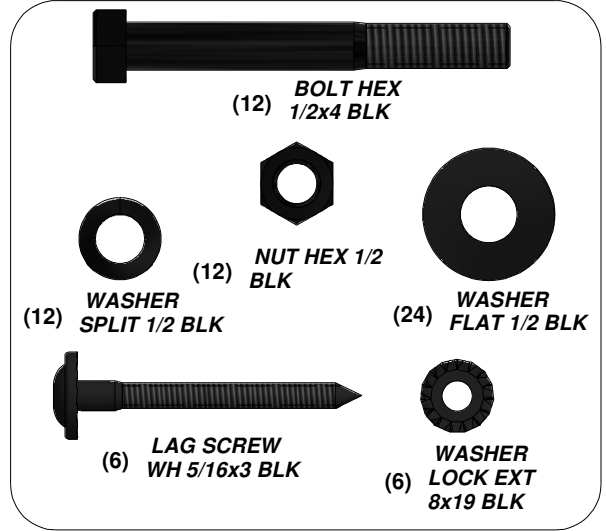
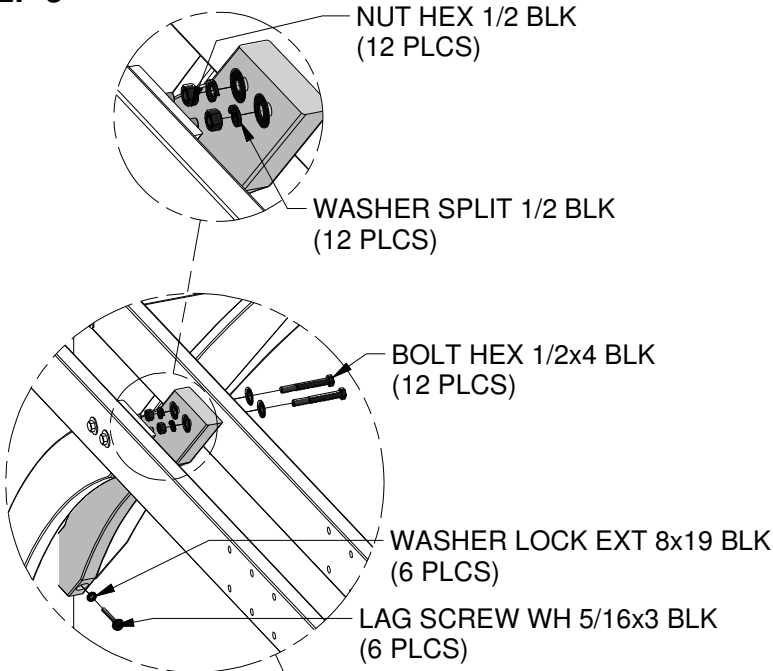
STEP 7

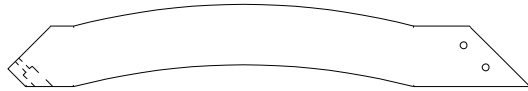




(6) **AB1 - ANGLE BRACE - W4L11988**
1 3/8"x6 7/16"x40 13/16" (34x163x1036)

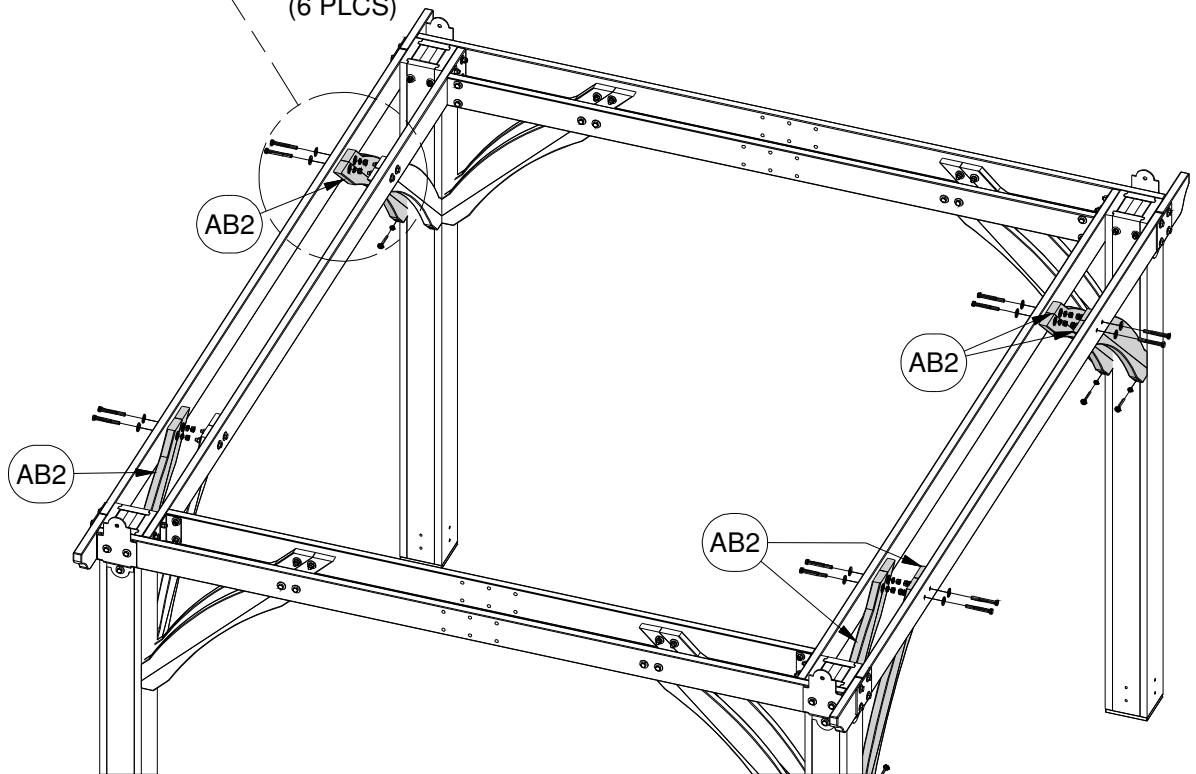
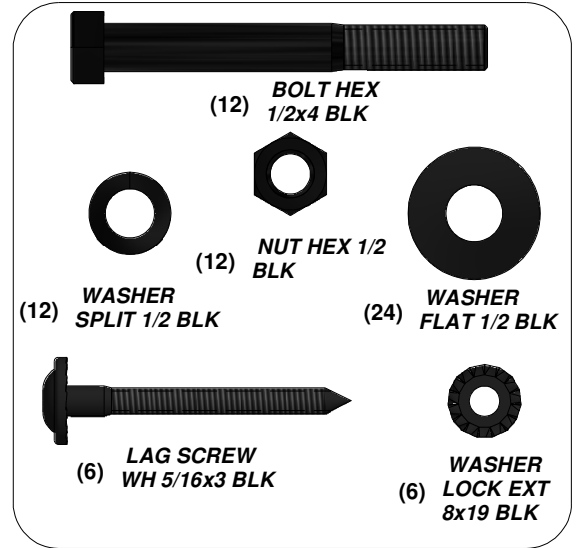
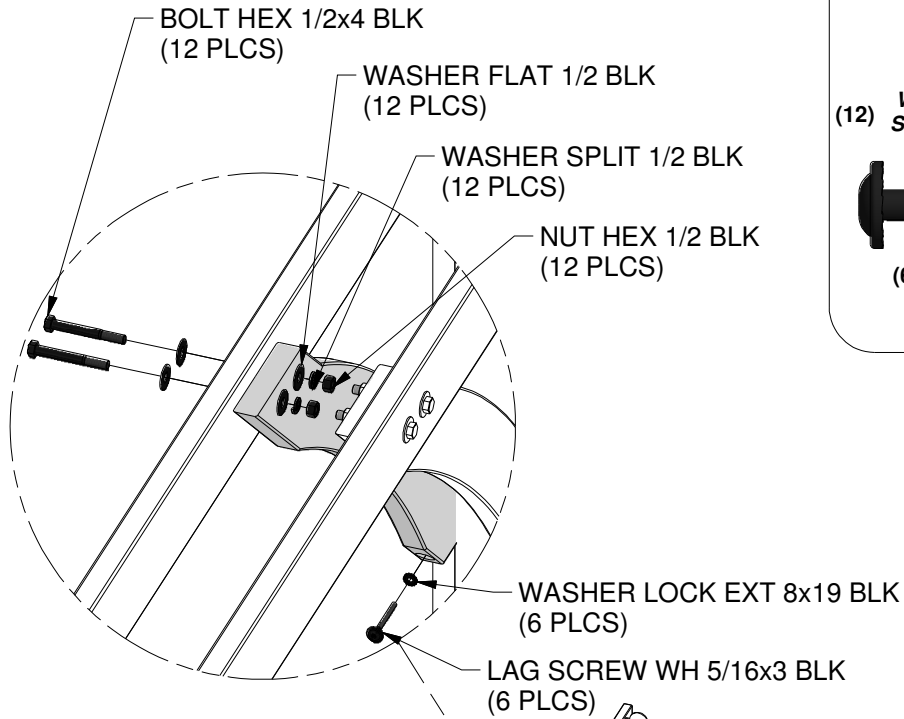
STEP 8

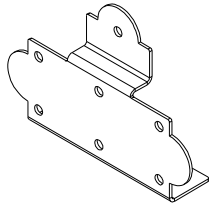




AB2 - ANGLE BRACE - W4L11989
 (6) 1 3/8"x6 7/16"x40 13/16" (34x163x1036)

STEP 9





(4) - GAZEBO BRACKET - A4M00968



(2) PT3 - POST - W2A02718
7"x7"x32 1/2" (178x178x826)

STEP 10



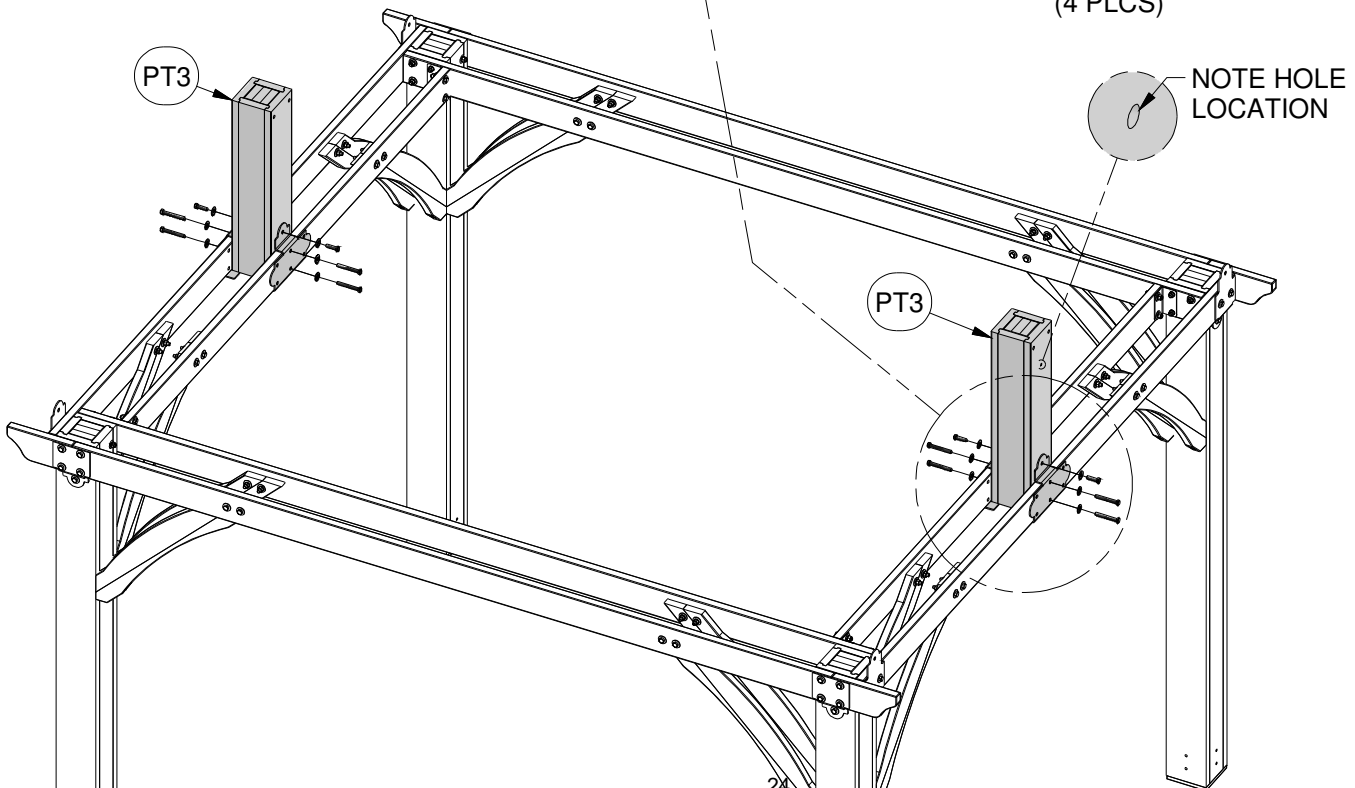
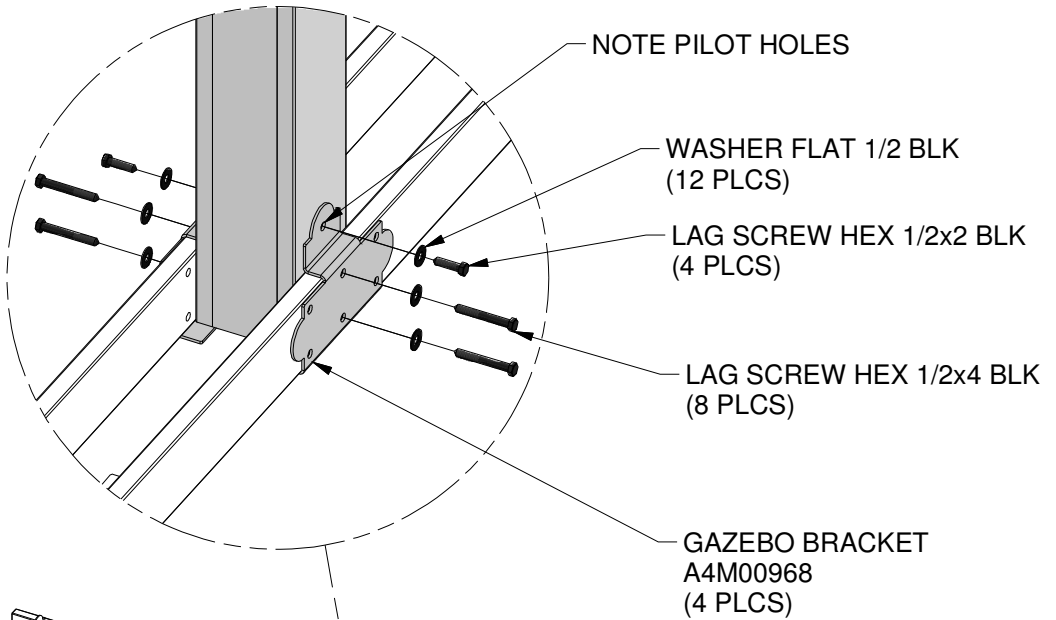
(8) LAG SCREW
HEX 1/2x4 BLK

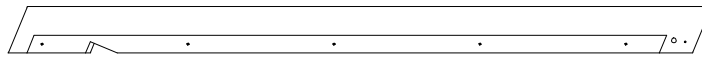


(4) LAG SCREW
HEX 1/2x2 BLK

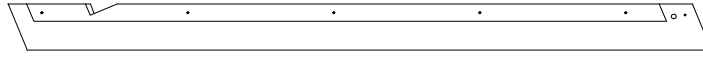


(12) WASHER
FLAT 1/2 BLK



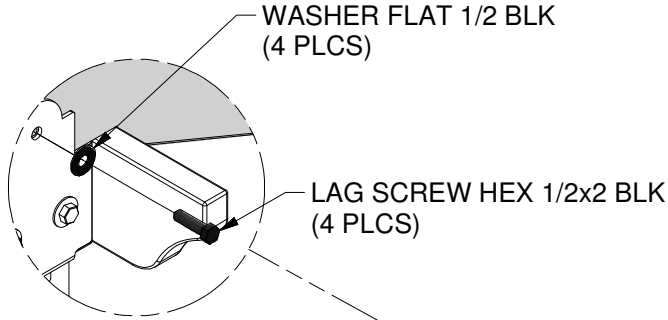


(2) **RP1 - END RAFTER - W2A02719**
2 13/16"x5 1/4"x80 5/8" (72x134x2048)



(2) **RP2 - END RAFTER - W2A02720**
2 13/16"x5 1/4"x80 5/8" (72x134x2048)

STEP 11



WASHER FLAT 1/2 BLK
(4 PLCS)

LAG SCREW HEX 1/2x2 BLK
(4 PLCS)



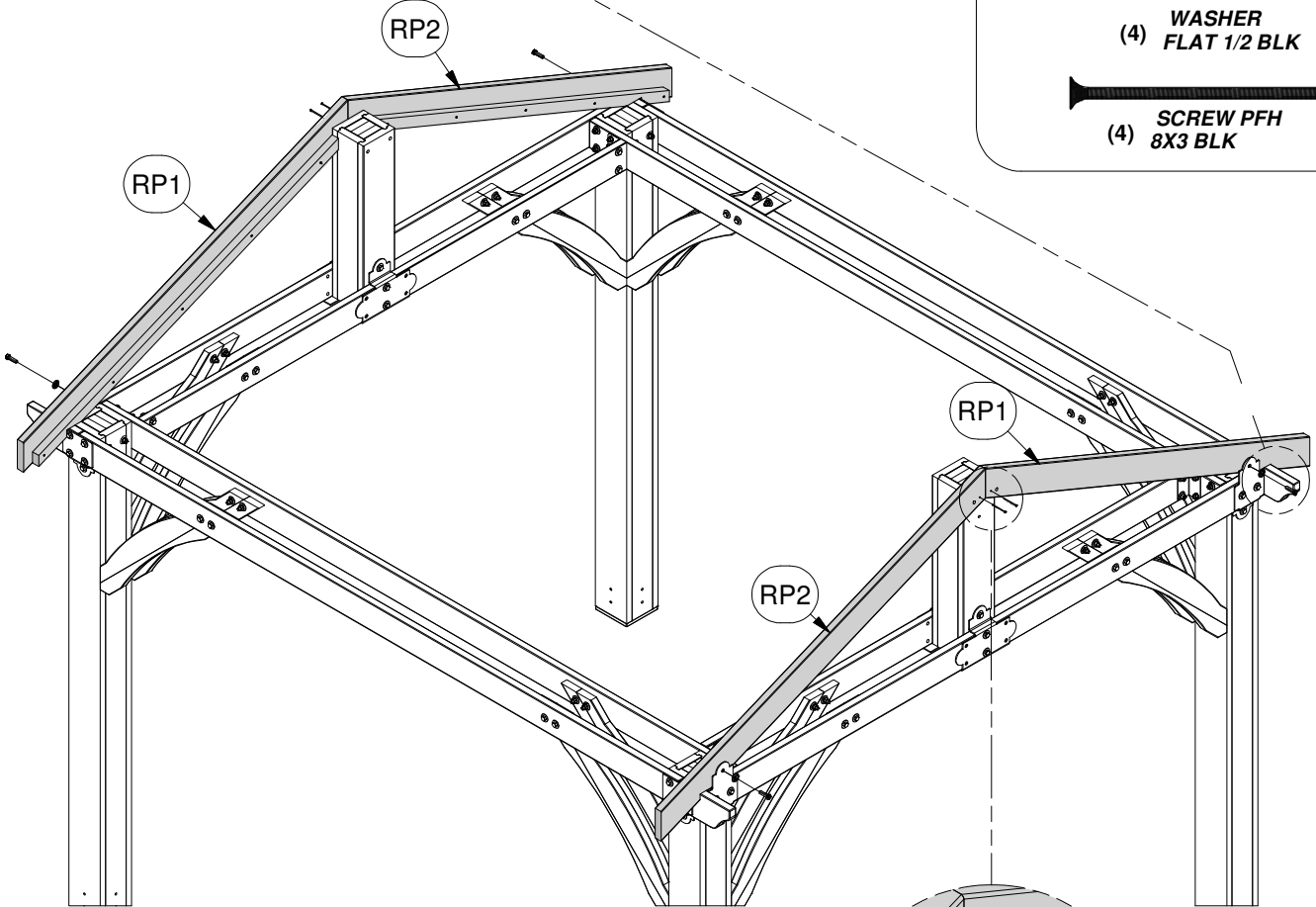
(4) **LAG SCREW
HEX 1/2x2 BLK**



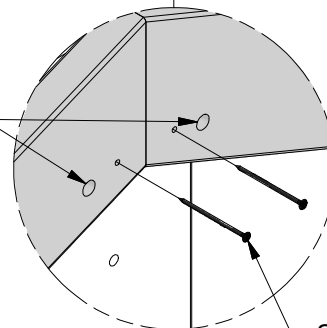
(4) **WASHER
FLAT 1/2 BLK**



(4) **SCREW PFH
8X3 BLK**



NOTE:
PLACE 1/2" BOLTS IN HOLES BEFORE INSTALLING WOOD SCREWS
(TO ENSURE PROPER ALIGNMENT)

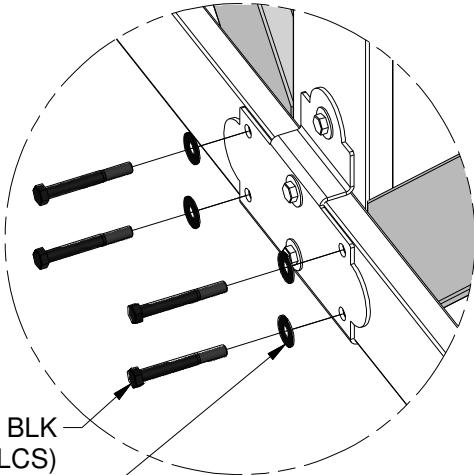


**SCREW PFH 8X3 BLK
(4 PLCS)**

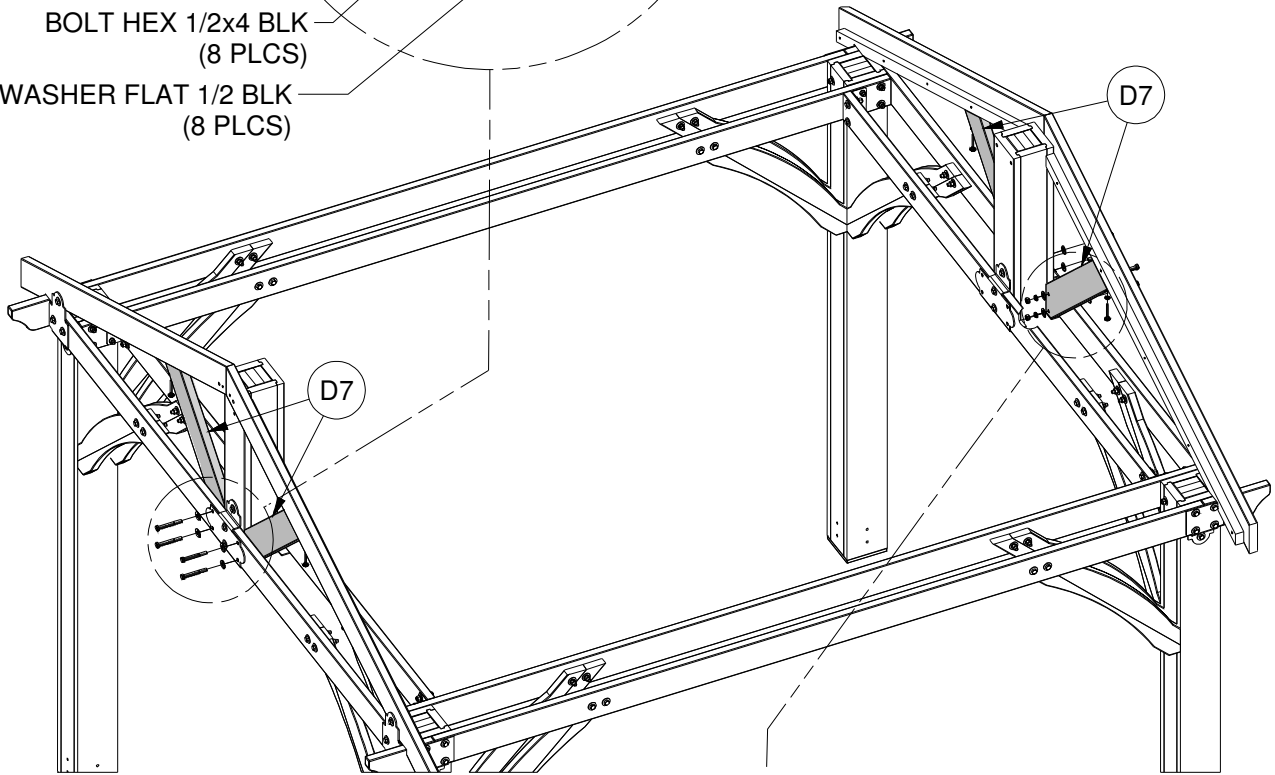
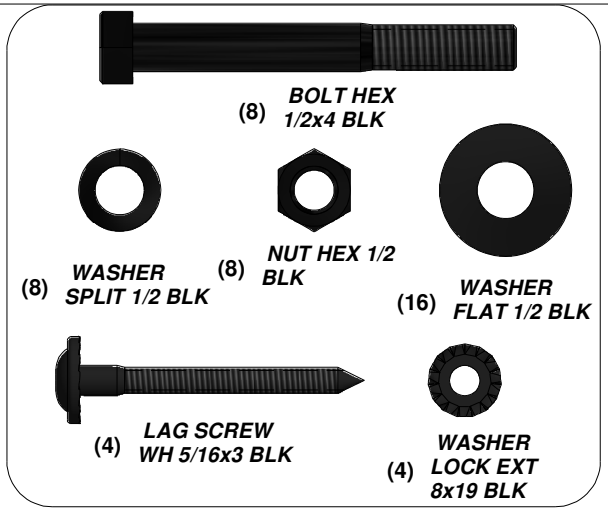


(4) **D7 - ANGLE BRACE - W4L11987**
1 3/8"x5 1/4"x29 5/8" (36x134x751)

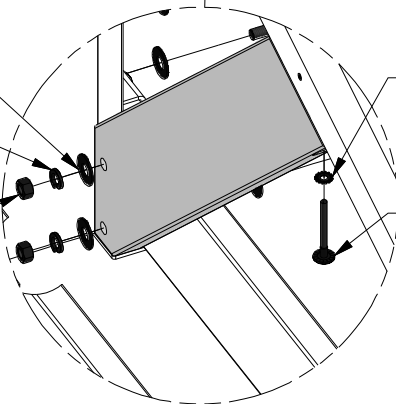
STEP 12



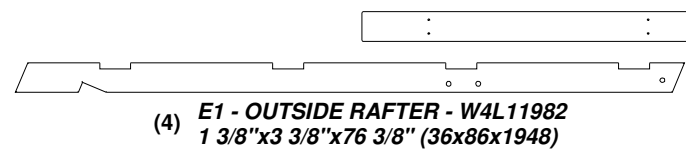
BOLT HEX 1/2x4 BLK (8 PLCS)
WASHER FLAT 1/2 BLK (8 PLCS)



WASHER FLAT 1/2 BLK (8 PLCS)
WASHER SPLIT 1/2 BLK (8 PLCS)
NUT HEX 1/2 BLK (8 PLCS)



WASHER LOCK EXT 8x19 BLK (4 PLCS)
LAG SCREW WH 5/16x3 BLK (4 PLCS)

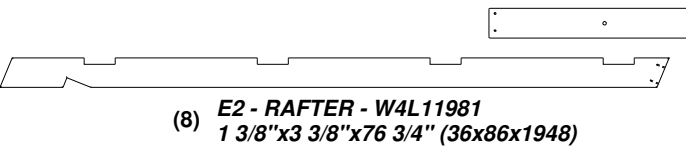


(4) **E1 - OUTSIDE RAFTER - W4L11982**
1 3/8"x3 3/8"x76 3/8" (36x86x1948)

(2) **H2 - FASCIA - W4L11985**
1"x3 3/8"x141" (24x86x3582)



NOTE ORIENTATION
5/8 7/8

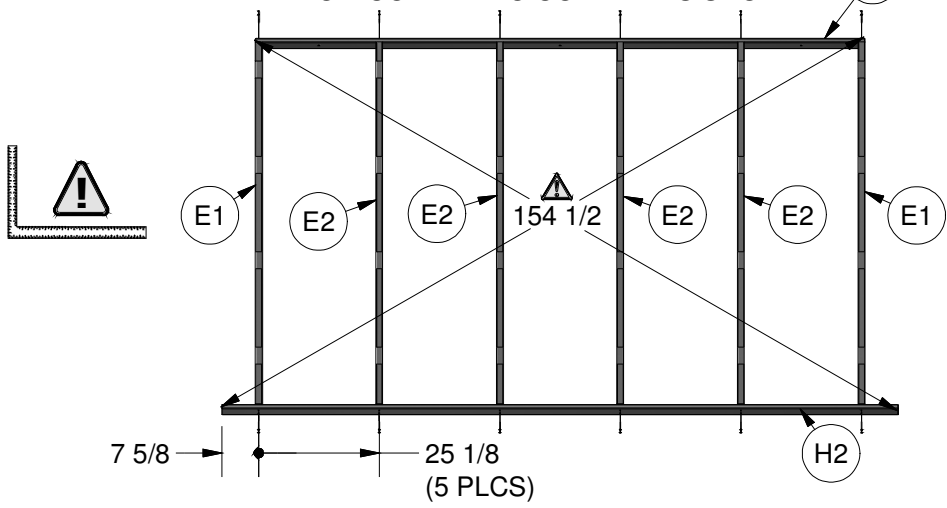


(8) **E2 - RAFTER - W4L11981**
1 3/8"x3 3/8"x76 3/4" (36x86x1948)

(2) **H1 - RAFTER - W4L11983**
1"x3 3/8"x127 1/16" (24x86x3228)

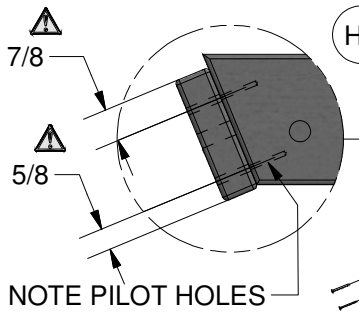
STEP 13

SQUARE YOUR ROOF PANEL BY MAKING SURE YOU GET THE SAME MEASUREMENT FROM CORNER TO CORNER AS SHOWN.



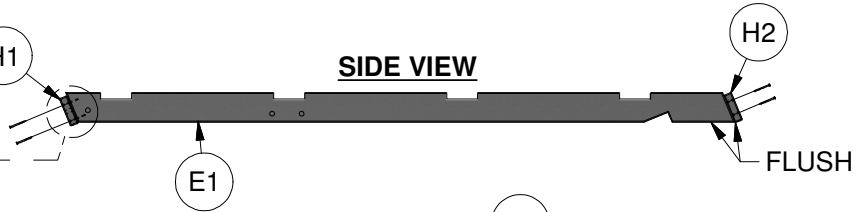
SCREW PFH 8x2 BLK
(48)

DO THESE STEPS TWICE FOR BOTH ROOF PANELS

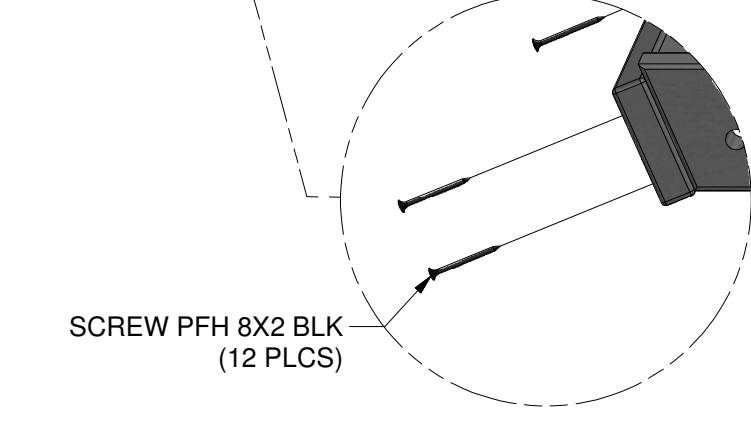
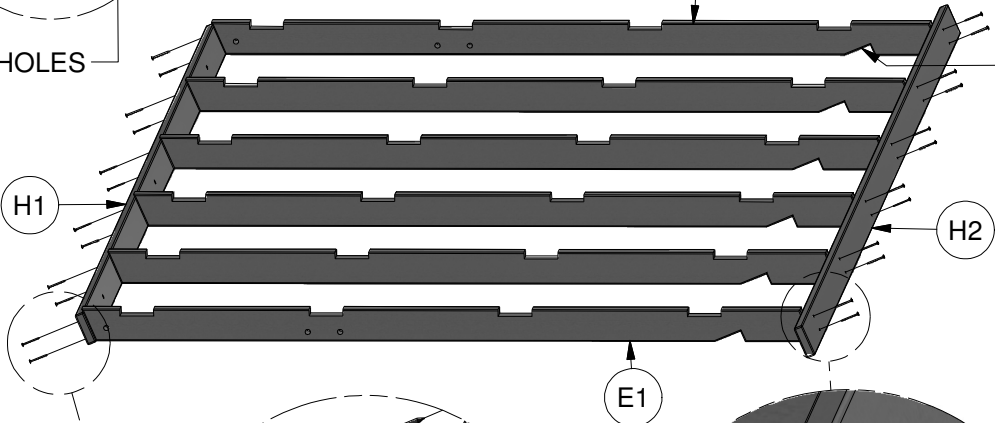


NOTE PILOT HOLES

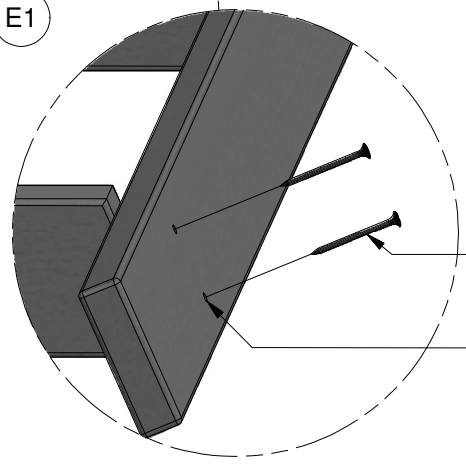
SIDE VIEW



NOTE KNOTCHES



SCREW PFH 8x2 BLK
(12 PLCS)



SCREW PFH 8x2 BLK
(12 PLCS)

NOTE HOLES



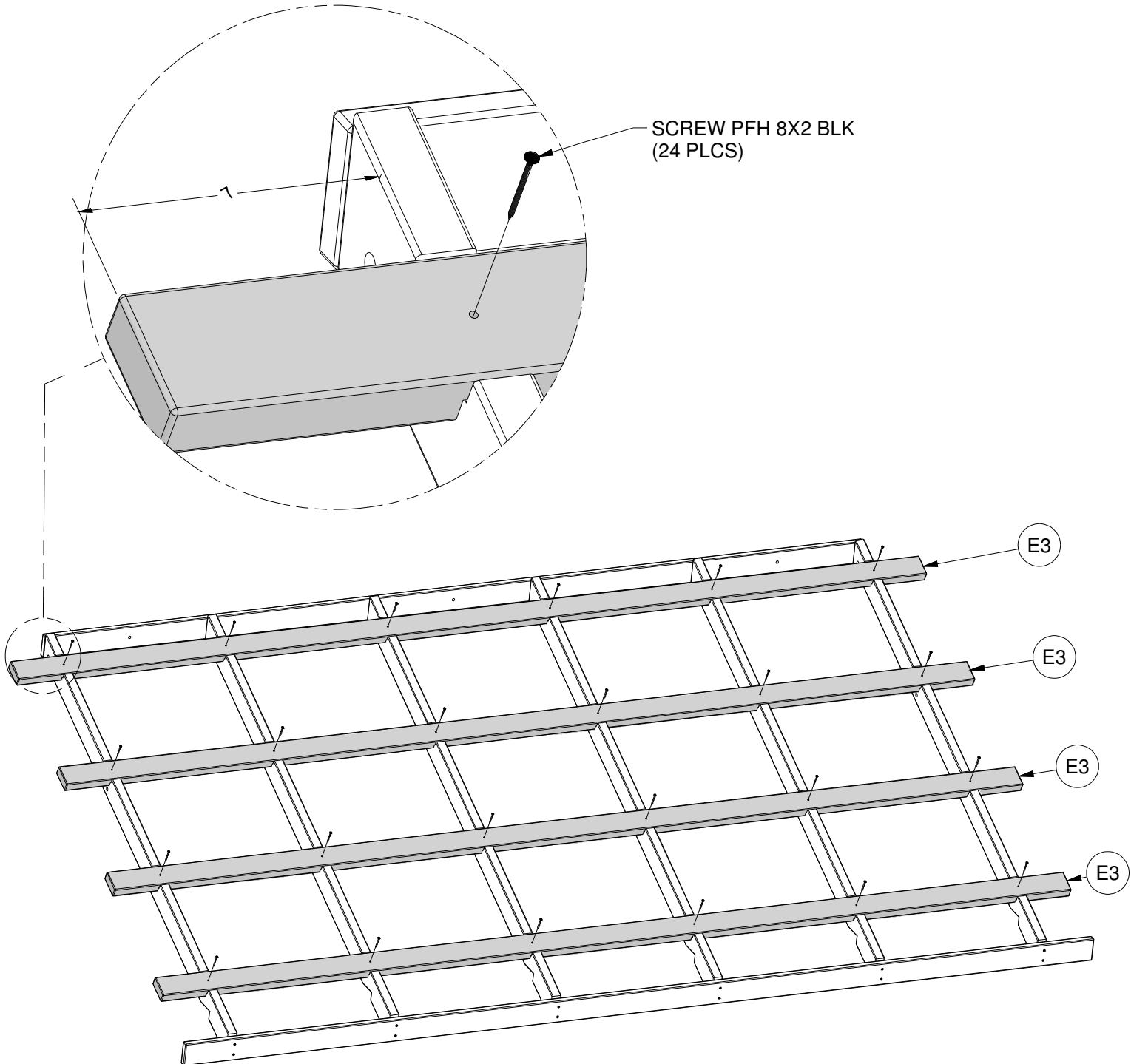
(8) **E3 - SHEATHING BOARD - W4L11984**
1 3/8"x3 3/8"x141" (36x86x3582)

STEP 14



•DO THESE STEPS
TWICE FOR BOTH
ROOF PANELS


(48) **SCREW PFH**
8x2 BLK



NOTE: USE THIS PAGE TO FAMILIARIZE YOURSELF WITH THE ROOF PANEL & ASSIST YOU IN THE COMING STEPS

**STEP 15
(PREPARATION)**

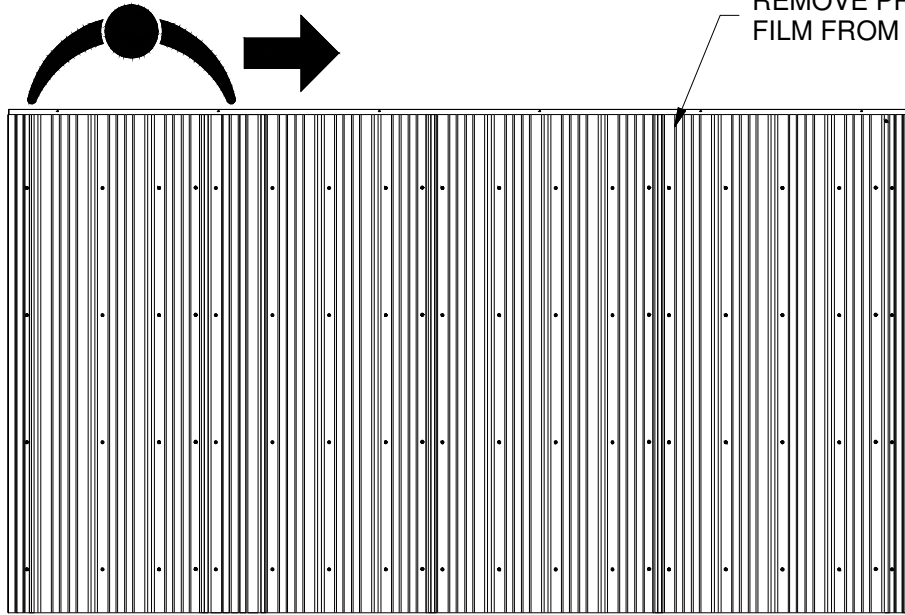
- The following pages will show only one side of the roof panel being built. You will follow these same steps to build the opposite side.
- Due to the roof panels mirroring each other you will start the first roof panel working from left to right and the second roof panel working from right to left.

⚠ PUT YOUR ROOF PANELS ON THE GROUND SO THEY MIRROR EACH OTHER AS SHOWN.

TOP VIEW

⚠ REMOVE PROTECTIVE FILM FROM PANELS.

⚠ START HERE AND WORK TO THE LEFT

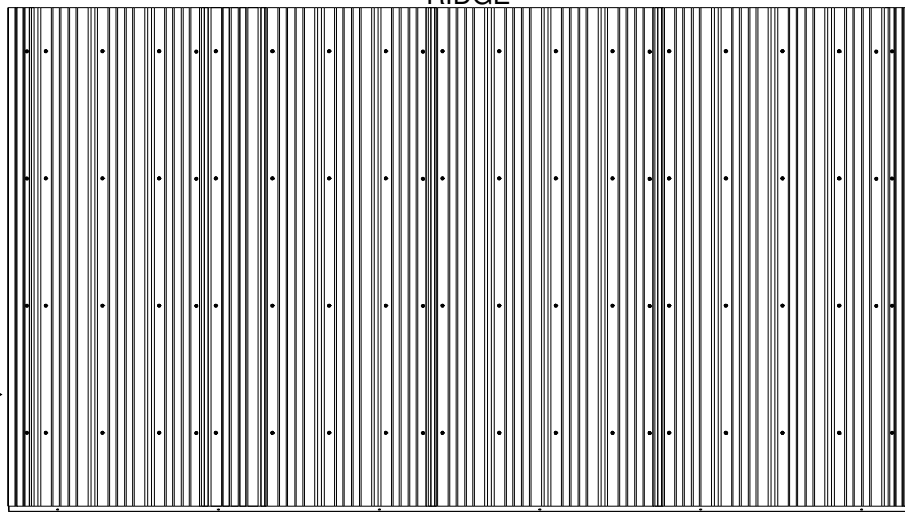


RIDGE



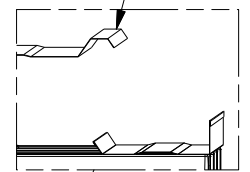
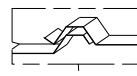
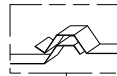
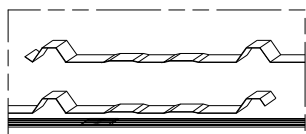
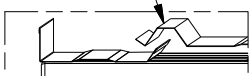
⚠ **NOTE RAFTERS:**
SCREWS MUST ALWAYS LAND IN A SHEATHING BOARD.

⚠ START HERE AND WORK TO THE RIGHT

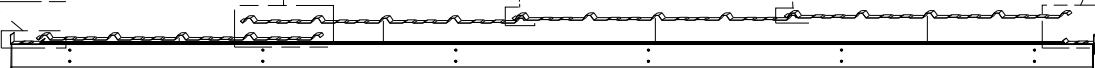


⚠ **NOTE HOW RIBS OVERLAP ON EACH SHEET.**

NOTE STARTING RIB EDGE

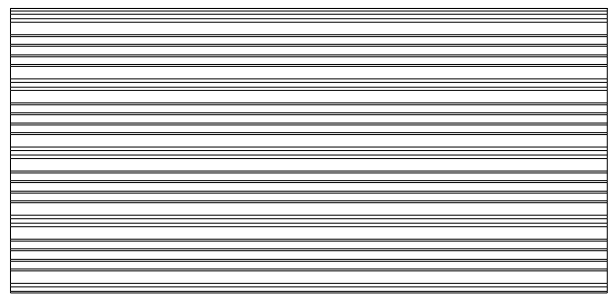


NOTE ENDING RIB EDGE





(4) - ROOF SPACER - A4M00975



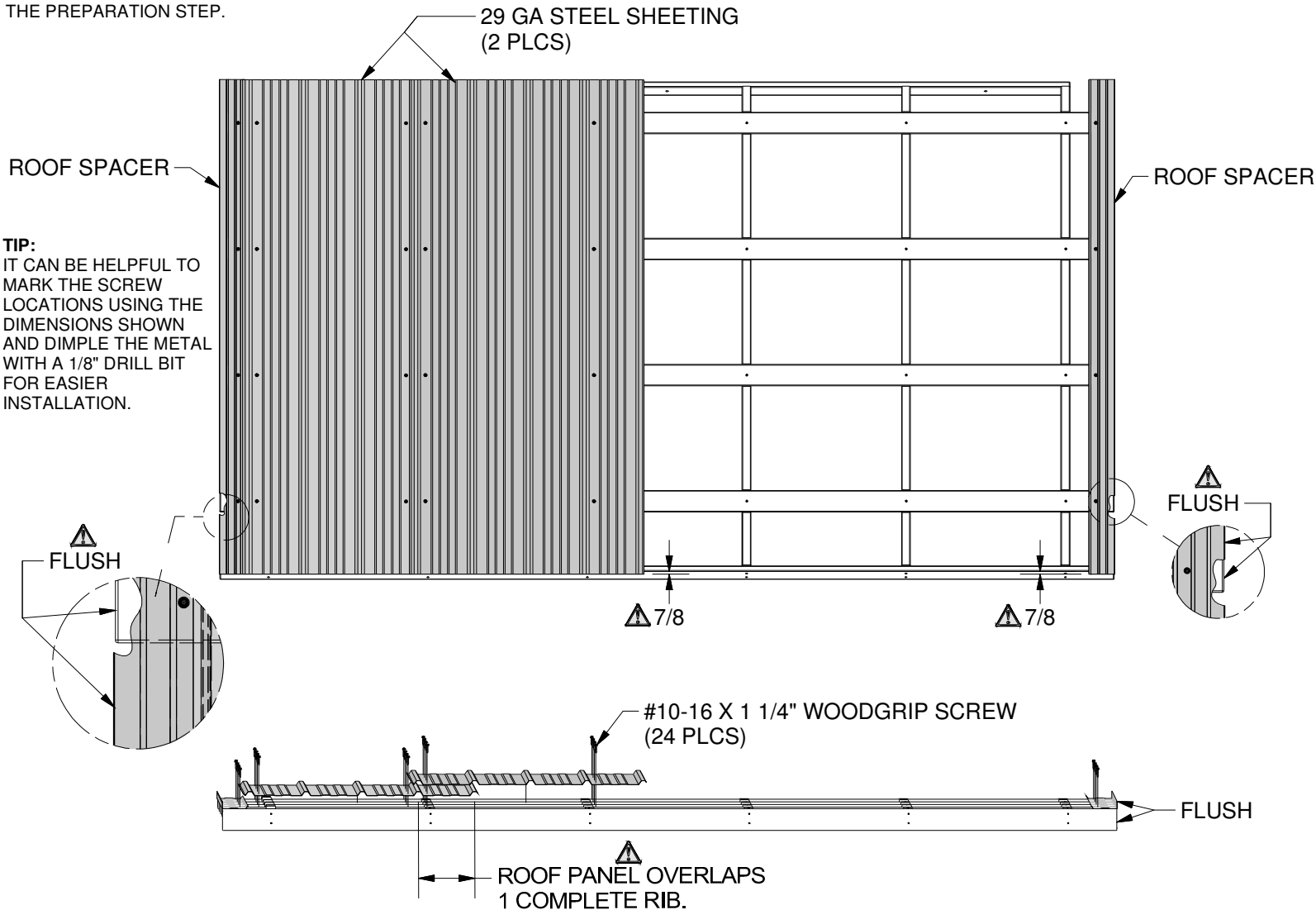
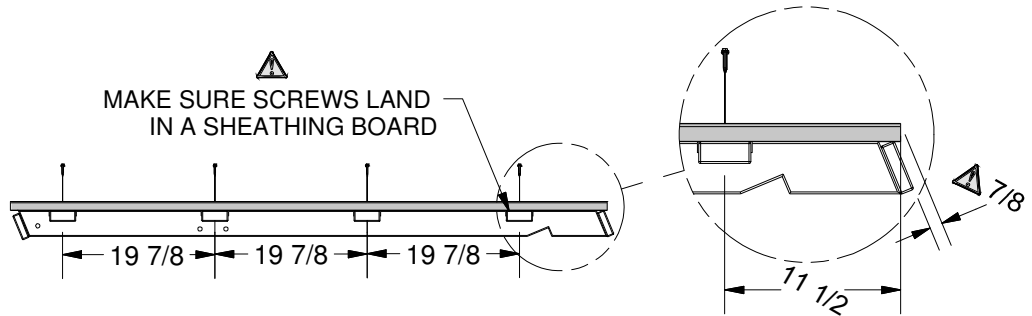
(4) - 29 GA STEEL SHEETING - A4M00980
.014"x37.01"x77.75" (.34x940x1975)

STEP 15

- ➔ • ROOF PANEL MUST BE SQUARE BEFORE YOU START THIS STEP.
- ➔ • WITH A SQUARE ROOF PANEL PLACE BOTH SHEETS ON ROOF PANEL AND ALIGN THEM AS SHOWN.
- ➔ • AFTER BOTH SHEETS ARE ALIGNED WITH EACH OTHER AND ARE SET TO THE DIMENSIONS SHOWN, PLACE ONE SCREW IN EACH ROOF PANEL AND FINE TUNE THEIR ALIGNMENT BEFORE MOVING TO THE NEXT DETAIL STEP.



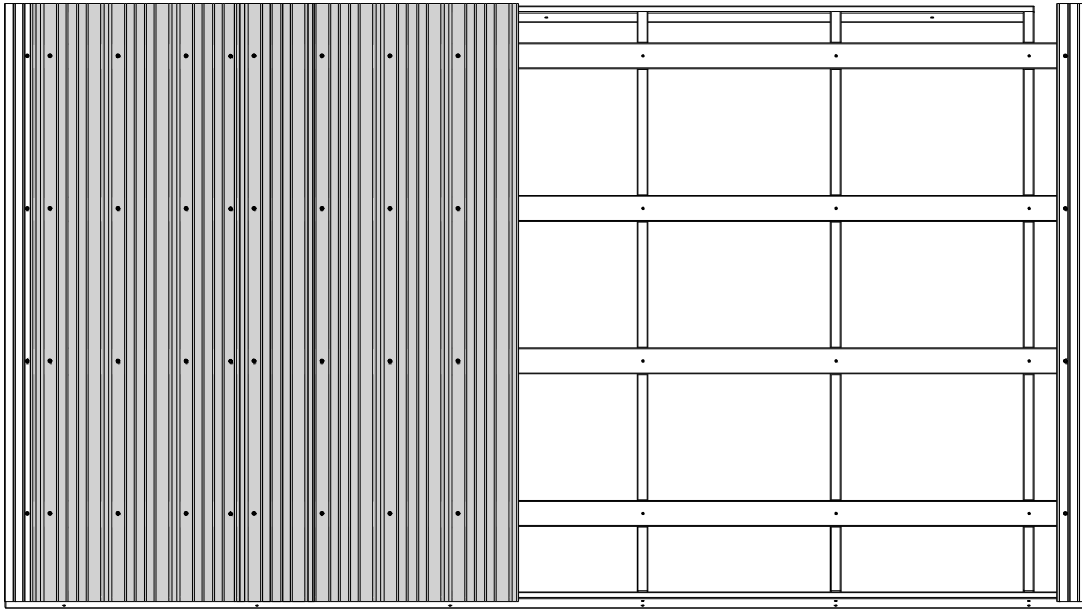
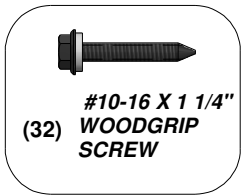
- DO THESE STEPS TWICE FOR BOTH ROOF PANELS.
- REMEMBER YOUR ROOF PANELS SHOULD MIRROR EACH OTHER SO THE RIBS ALIGN ON BOTH ROOF PANELS.
- START THE FIRST ROOF PANEL WORKING FROM LEFT TO RIGHT AND THE SECOND ROOF PANEL WORKING FROM RIGHT TO LEFT AS SHOWN IN THE PREPARATION STEP.



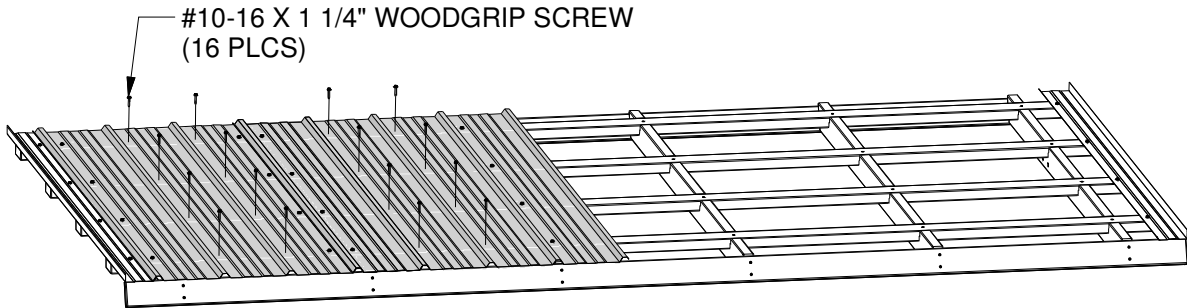
STEP 16



•FOLLOW THIS STEP WITH BOTH ROOF PANELS



MAKE SURE THE ROOF PANEL & STEEL SHEETS STAY SQUARE WHILE ASSEMBLING.

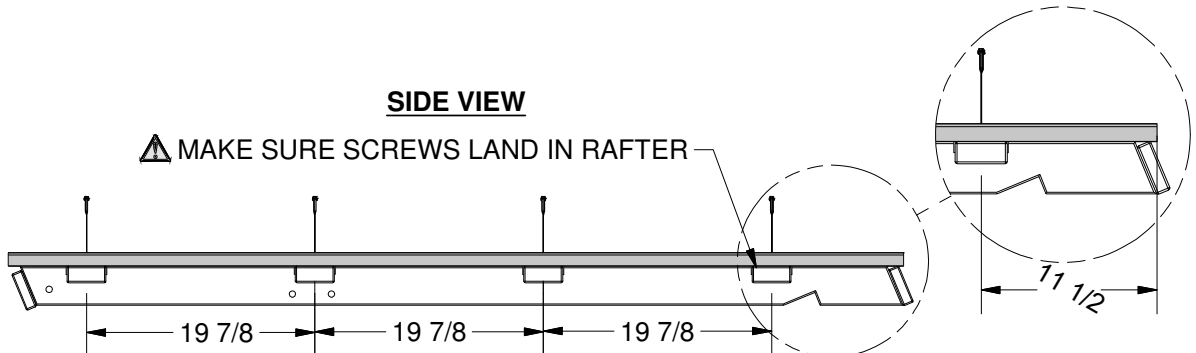


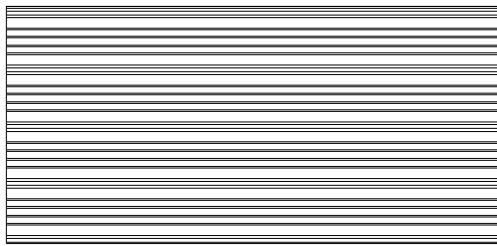
NOTE SCREW PLACEMENT

TIP:
IT CAN BE HELPFUL TO MARK THE SCREW LOCATIONS USING THE DIMENSIONS SHOWN AND DIMPLE THE METAL WITH A 1/8" DRILL BIT FOR EASIER INSTALLATION.

SIDE VIEW

⚠ MAKE SURE SCREWS LAND IN RAFTER





(4) - 29 GA STEEL SHEETING - A4M00980
 .014"x37.01"x77.75" (.34x940x1975)

STEP 17

NOTE:
 KEEP SHEETS ALIGNED & SQUARE AS YOU GO

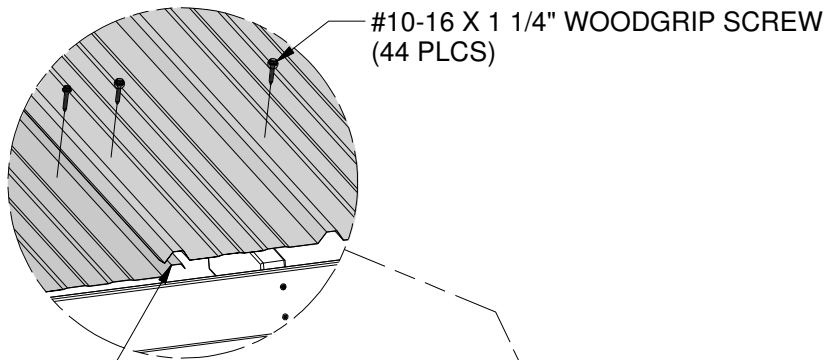
• FOLLOW THIS STEP WITH BOTH ROOF PANELS

• PLACE SCREWS AS SHOWN

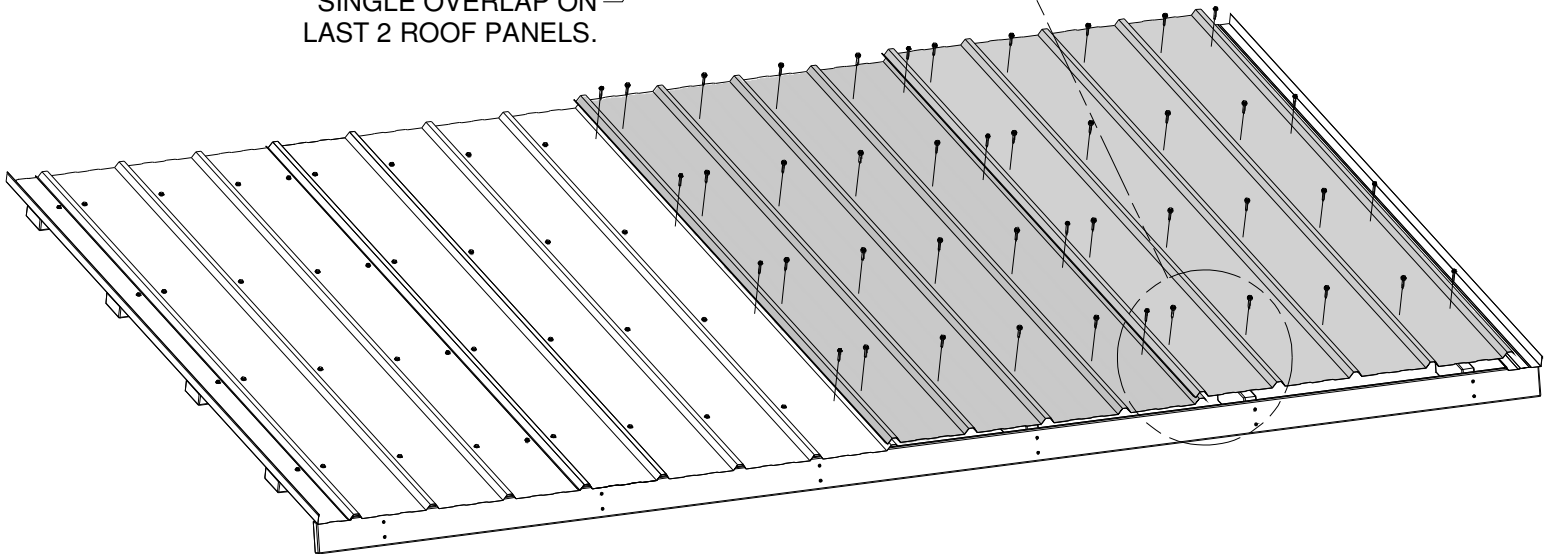

 (88) #10-16 X 1 1/4"
 WOODGRIP
 SCREW



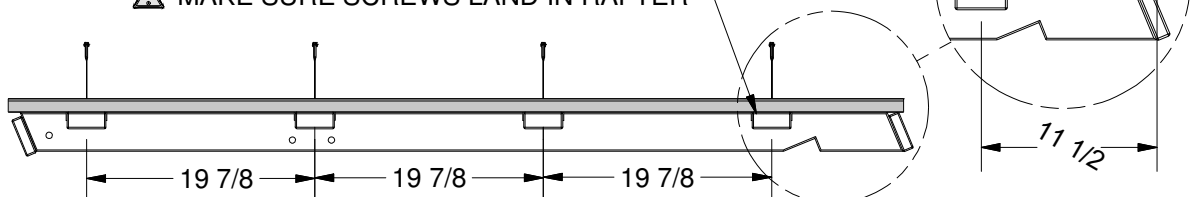
TIP:
 IT CAN BE HELPFUL TO MARK
 THE SCREW LOCATIONS USING
 THE DIMENSIONS SHOWN AND
 DIMPLE THE METAL WITH A 1/8"
 DRILL BIT FOR EASIER
 INSTALLATION.



SINGLE OVERLAP ON
 LAST 2 ROOF PANELS.

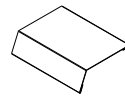


MAKE SURE SCREWS LAND IN RAFTER





(4) - DRIP EDGE 29 GA - A4M00956



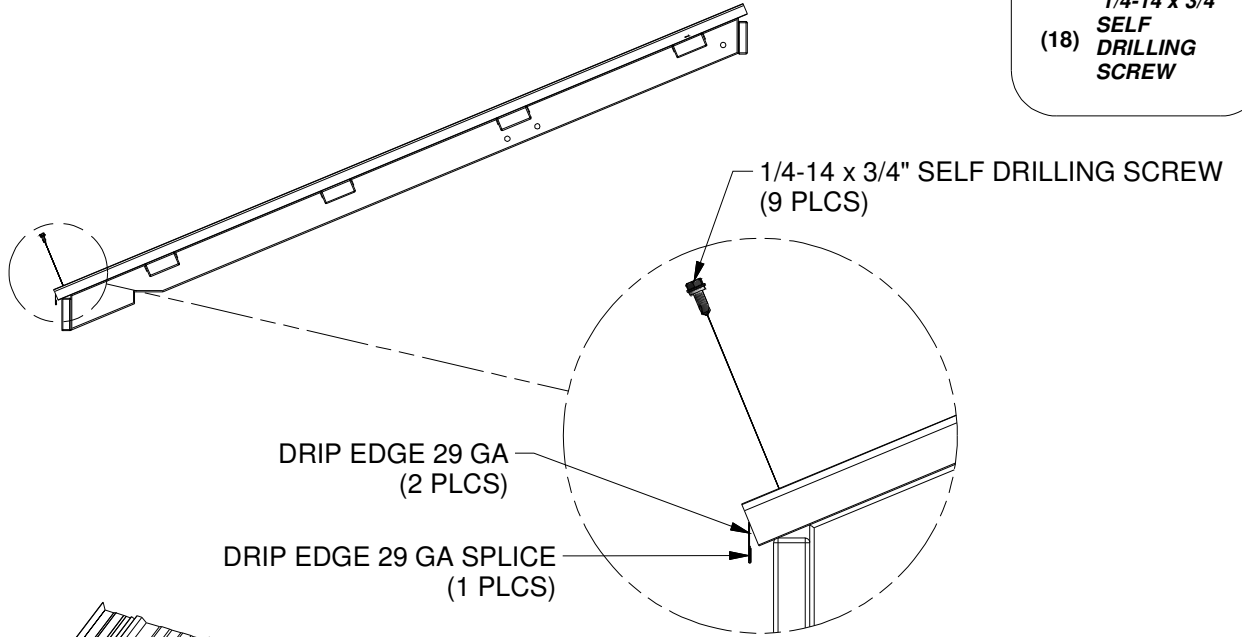
(2) - DRIP EDGE 29 GA SPLICE - A4M00970

STEP 18

•FOLLOW THIS STEP WITH BOTH ROOF PANELS



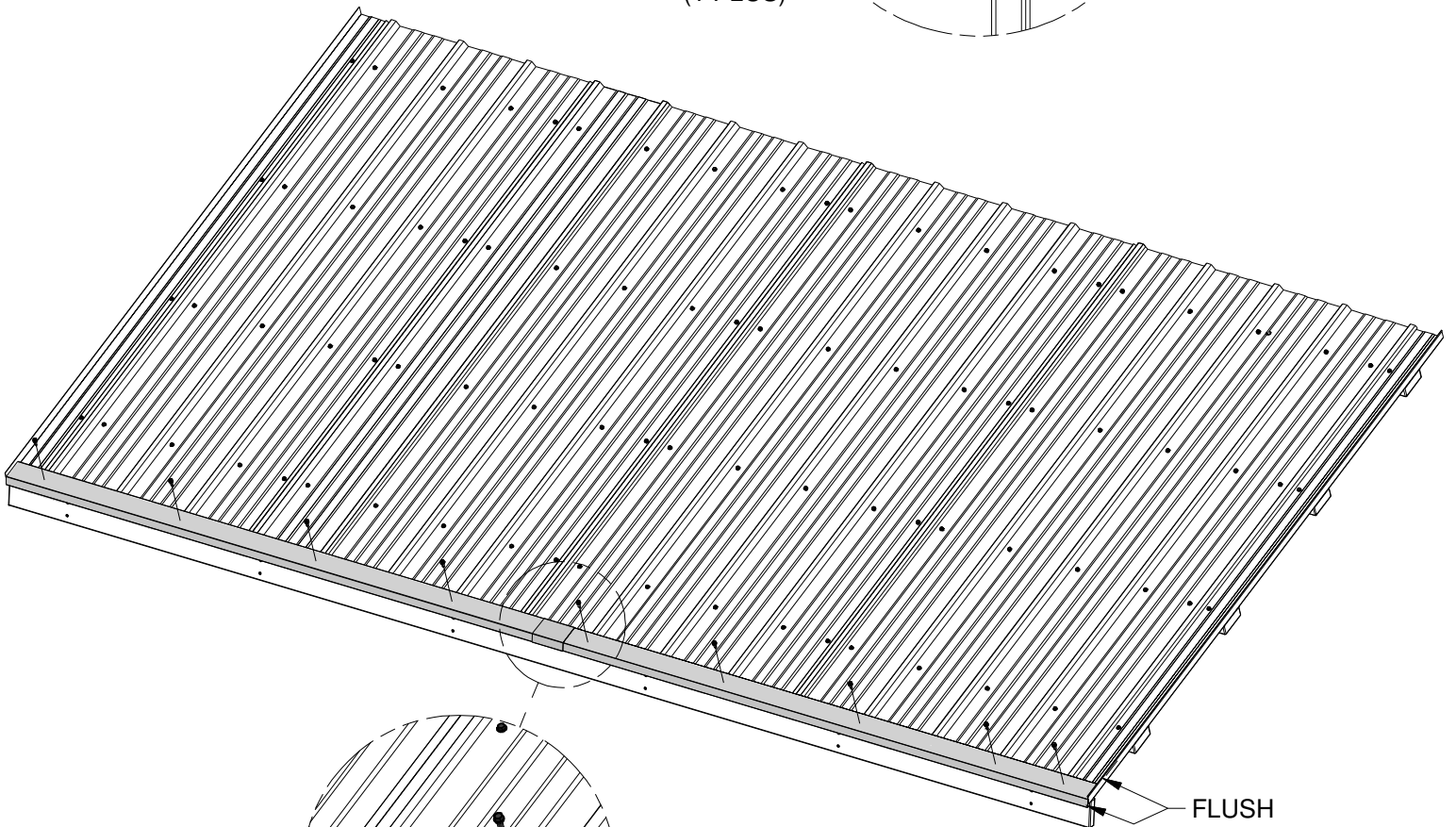
1/4-14 x 3/4"
SELF
DRILLING
SCREW
(18)



DRIP EDGE 29 GA
(2 PLCS)

DRIP EDGE 29 GA SPLICE
(1 PLCS)

1/4-14 x 3/4" SELF DRILLING SCREW
(9 PLCS)



FLUSH

NOTE:
SLIP DRIP EDGE INTO SPLICE.
ENSURE THAT BOTH ENDS
ARE FLUSH WITH EDGE OF ROOF
PANELS.

DRIP EDGE 29 GA
(1 PLCS)

DRIP EDGE 29 GA SPLICE
(1 PLCS)

DRIP EDGE 29 GA
(1 PLCS)

STEP 19



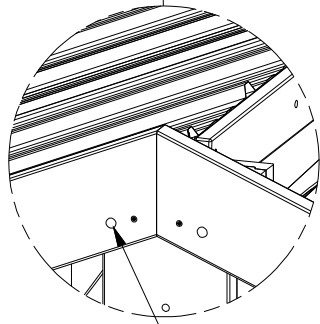
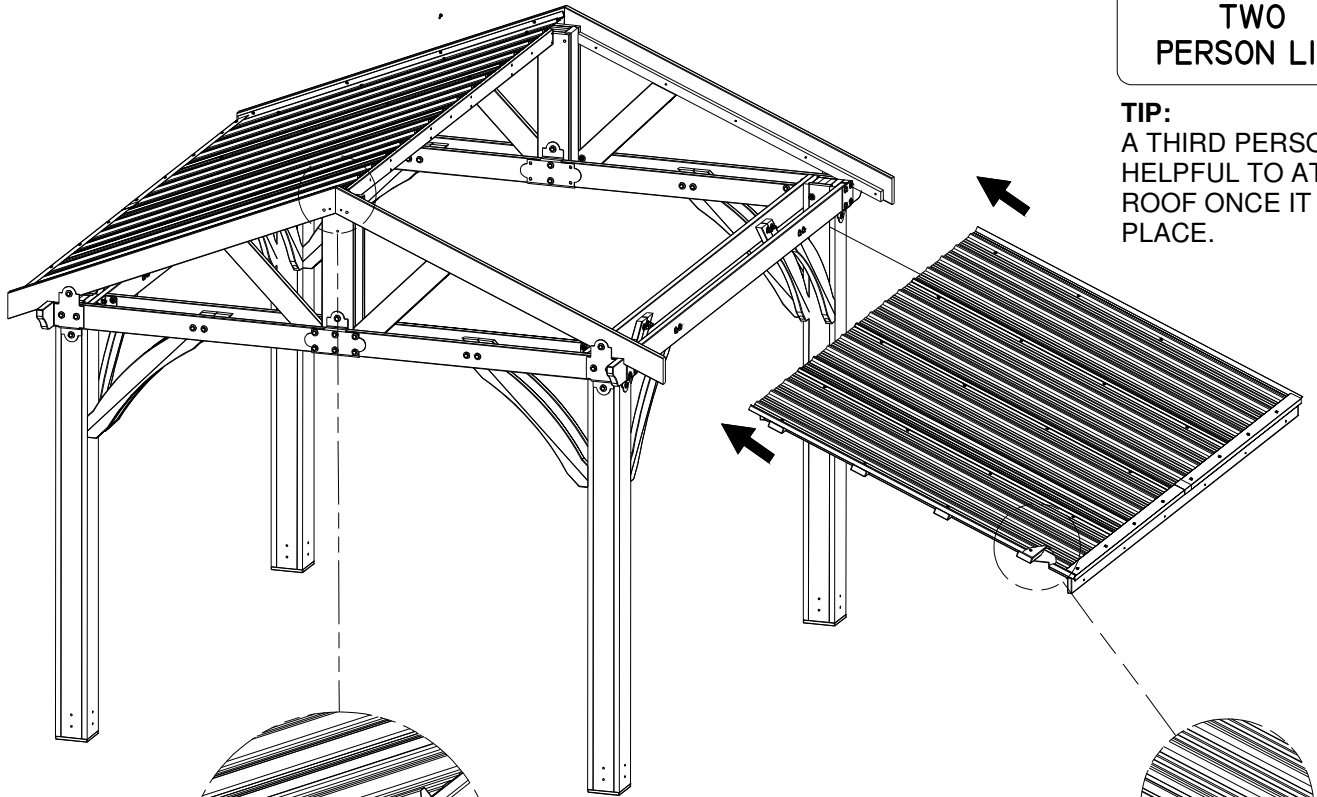
WITH AT LEAST TWO PEOPLE LIFT ASSEMBLED ROOF PANELS AND SLIDE THEM INTO THE TRACKS ON THE GAZEBO.

•FOLLOW THIS STEP WITH BOTH ROOF PANELS



**TWO
PERSON LIFT**

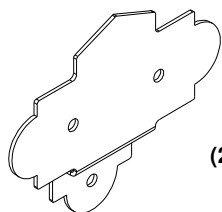
TIP:
A THIRD PERSON IS
HELPFUL TO ATTACH
ROOF ONCE IT IS IN
PLACE.



PUSH ROOF PANEL FORWARD
UNTIL KNOTCHES LAND ON
1ST RAFTER

BEFORE INSTALLING SECOND ROOF PANEL.
INSTALL A 1/2" BOLT INTO THE HOLE ON BOTH ENDS
TO TEMPORARILY SECURE ROOF PANEL
UNTIL NEXT STEP.





(2) - GAZEBO BRACKET - A4M00948

STEP 20

• USING A HELPER, HOLD AND ATTACH ROOF PANELS AS SHOWN.



(4) BOLT HEX 1/2x11 BLK



(2) LAG SCREW HEX 1/2x2 BLK



(3) NUT BARREL WH 5/16x7/8 BLK



(3) BOLT WH 5/16x1 1/2 BLK



(10) WASHER FLAT 1/2 BLK



(3) WASHER LOCK EXT 8x19 BLK



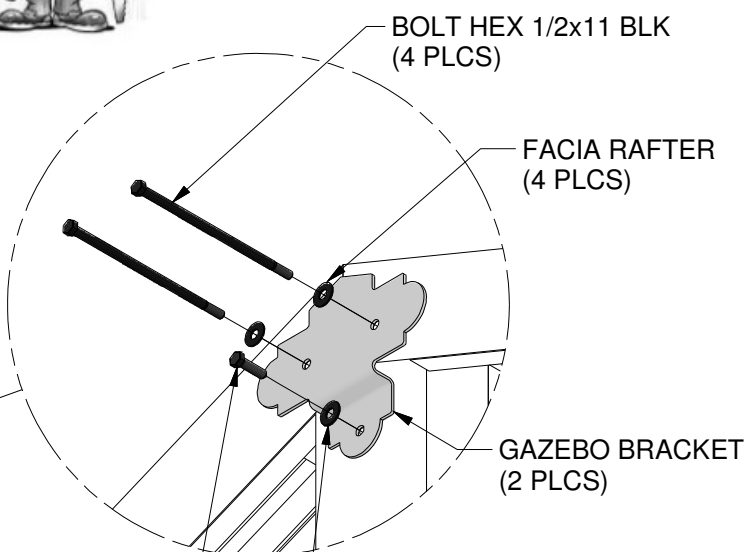
(4) WASHER SPLIT 1/2 BLK



(3) WASHER LOCK EXT 12x19 BLK



(4) NUT HEX 1/2 BLK



BOLT HEX 1/2x11 BLK (4 PLCS)

FACIA RAFTER (4 PLCS)

GAZEBO BRACKET (2 PLCS)

LAG SCREW HEX 1/2x2 BLK (2 PLCS)

WASHER FLAT 1/2 BLK (2 PLCS)

WASHER FLAT 1/2 BLK (4 PLCS)

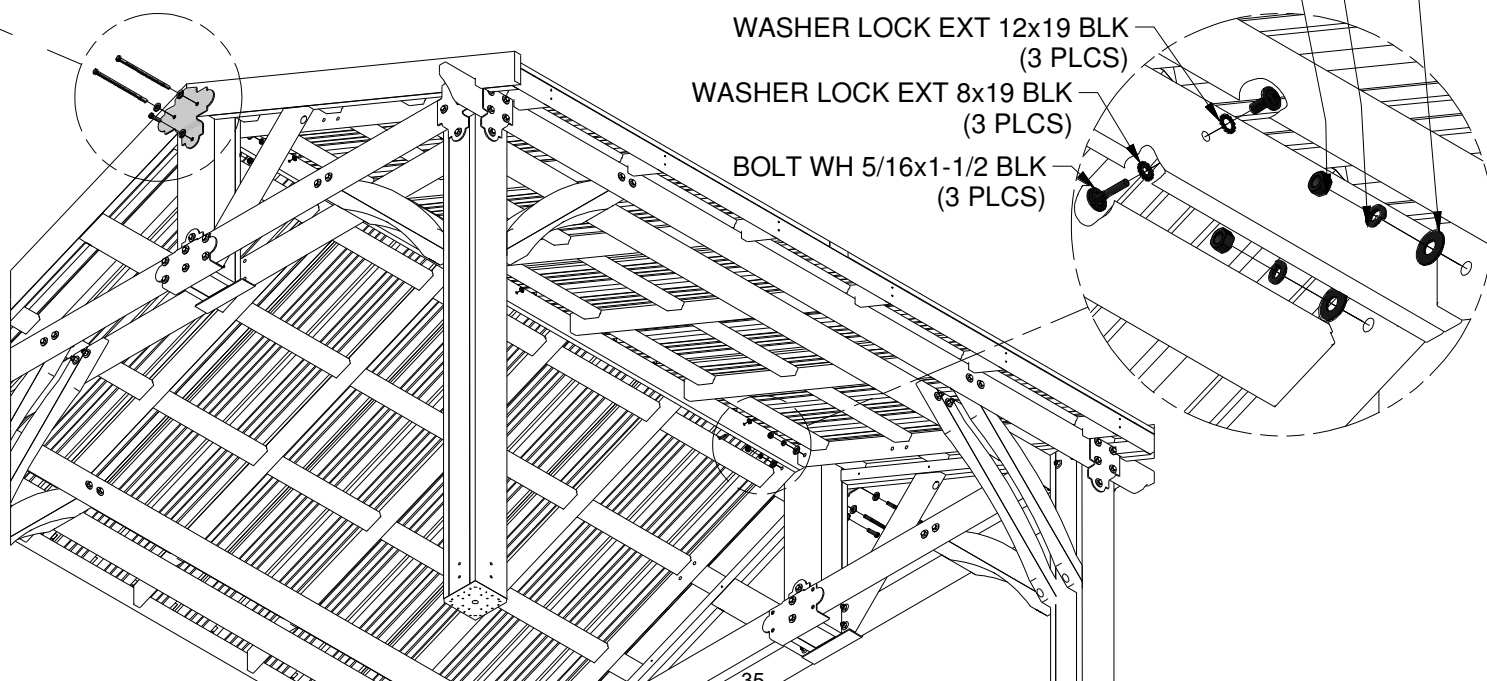
WASHER SPLIT 1/2 BLK (4 PLCS)

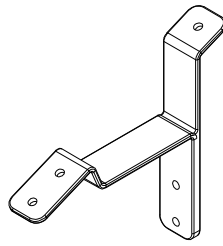
NUT HEX 1/2 BLK (4 PLCS)

WASHER LOCK EXT 12x19 BLK (3 PLCS)

WASHER LOCK EXT 8x19 BLK (3 PLCS)

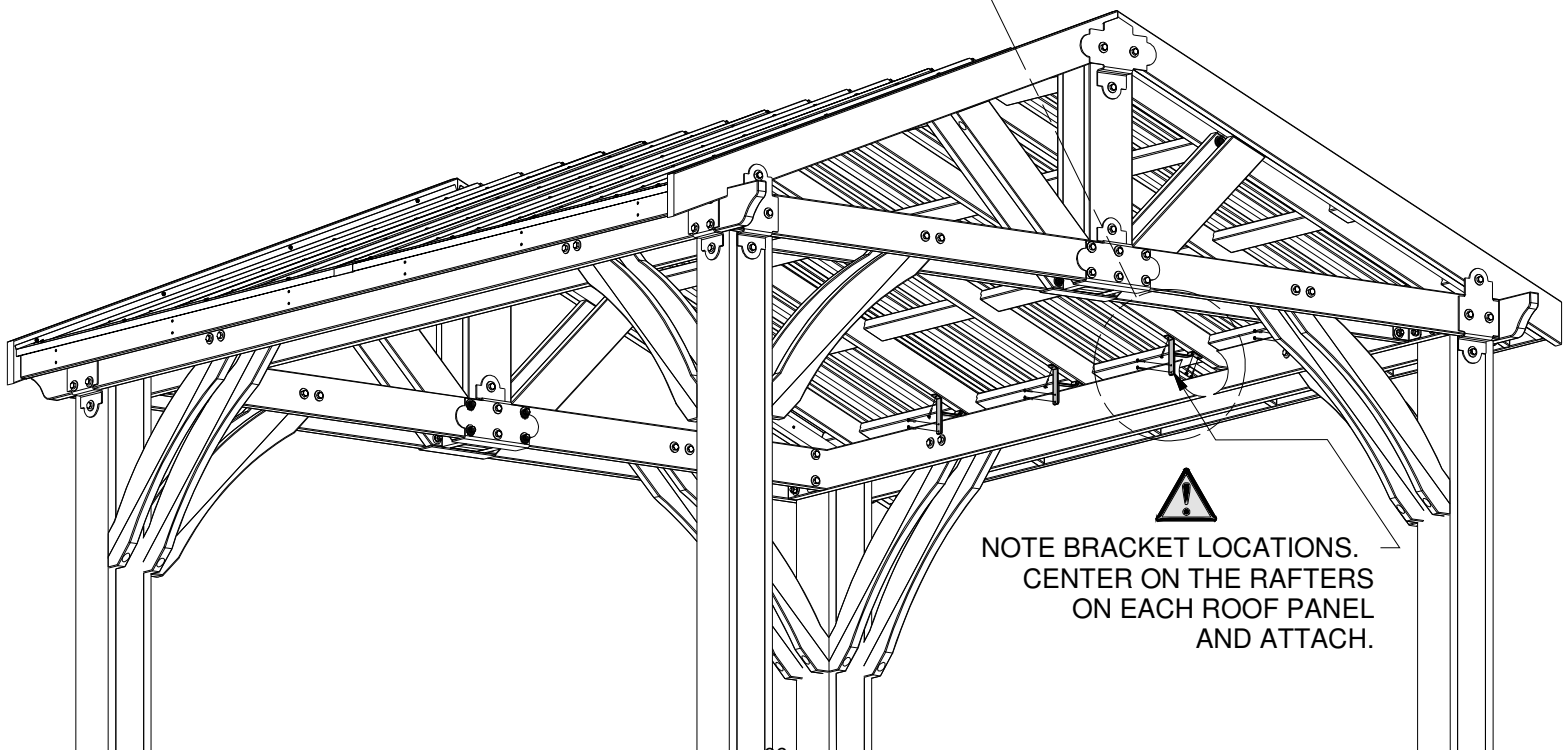
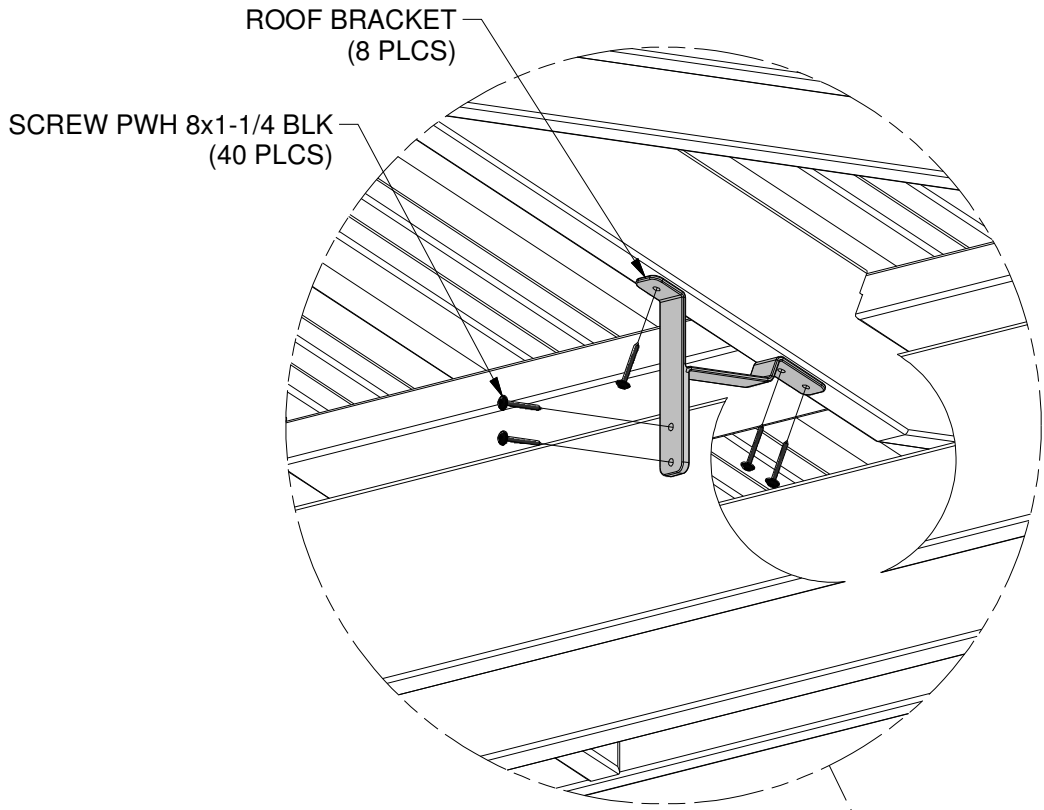
BOLT WH 5/16x1-1/2 BLK (3 PLCS)





(8) - ROOF BRACKET - A4M00961

STEP 21

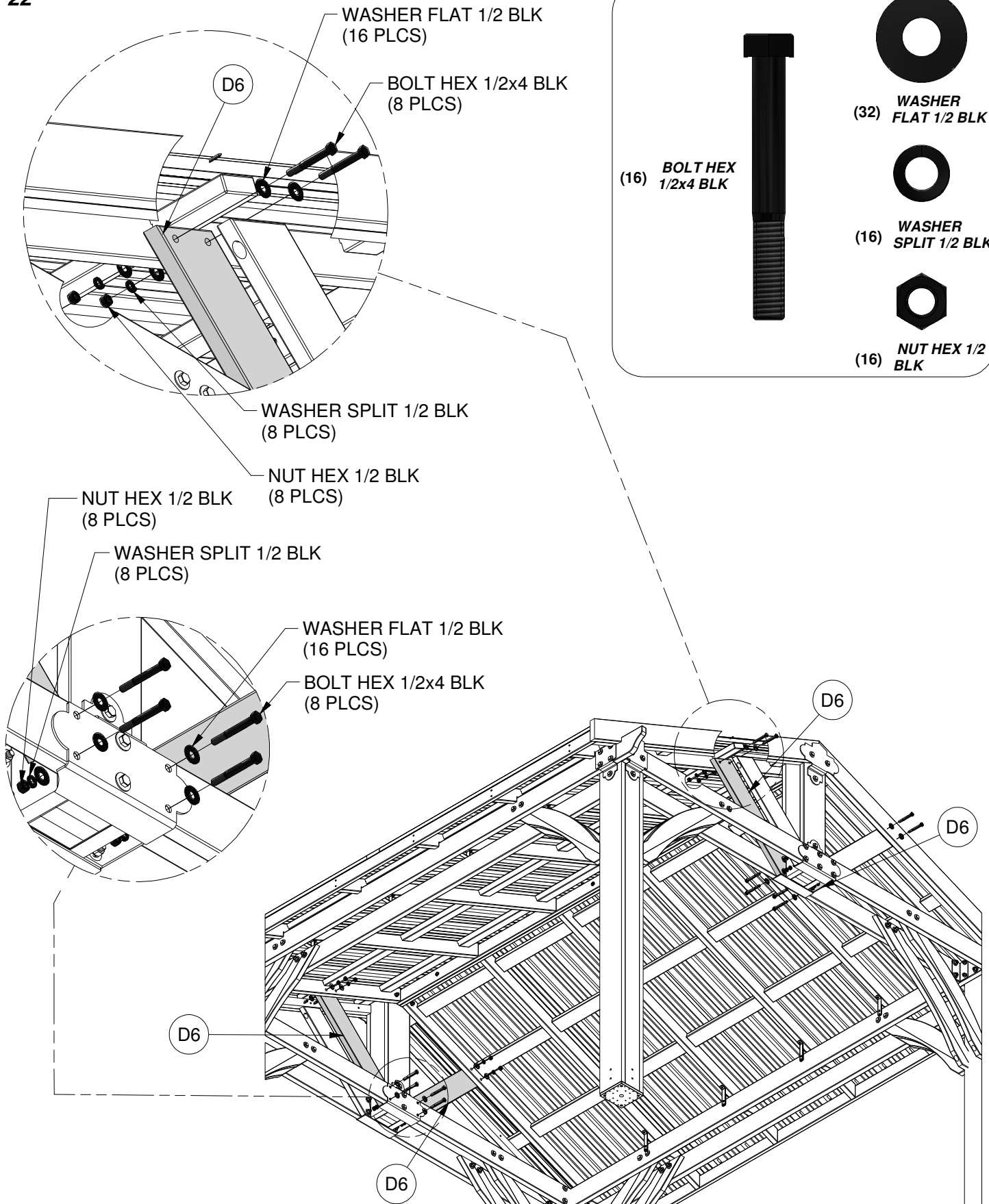


NOTE BRACKET LOCATIONS.
CENTER ON THE RAFTERS
ON EACH ROOF PANEL
AND ATTACH.



(4) **D6 - ANGLE BRACE - W4L11986**
1 3/8"x5 1/4"x31 3/4" (36x134x805)

STEP 22





(2) - 6 X 6 HIP/RIDGE CAP 29 GA - A4M00954



(1) - 6 X 6 HIP/RIDGE CAP SPLICE - A4M00955

STEP 23



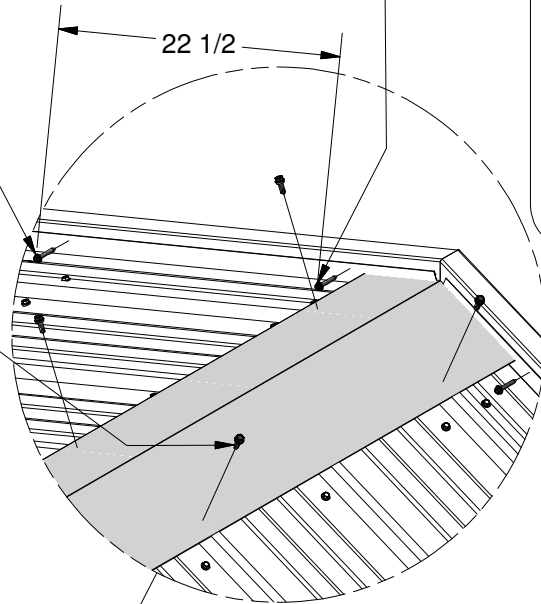
CAUTION
METAL CAN BE VERY SLICK.
DO NOT STAND ON METAL
WHEN DAMP. PROCEED
WITH CAUTION.

TIP:
DUE TO MULTIPLE LAYERS OF
METAL ON THE RIDGE CAP, IT
IS RECOMMENDED THAT A 1/8"
DRILL BIT IS USED TO CREATE
STARTER HOLES.

#10-16 X 1 1/4" WOODGRIP SCREW
(16 PLCS)



NOTE:
INSTALL 4 SCREWS
EVENLY SPACED
DOWN EACH SIDE.



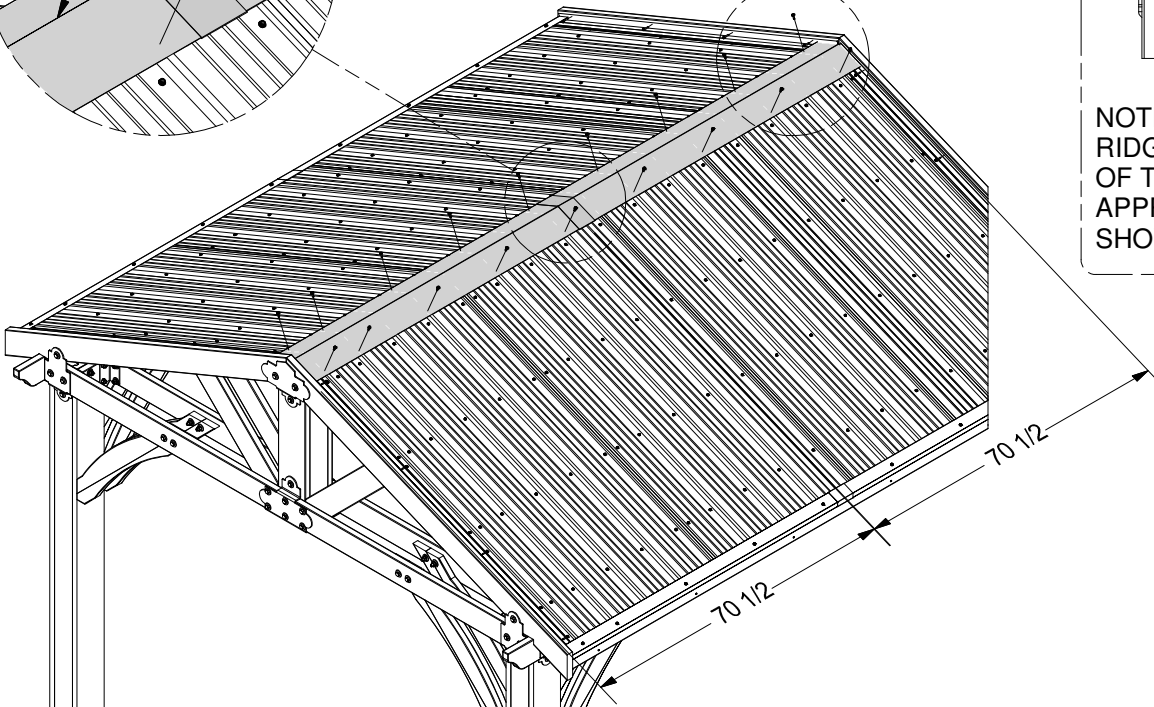
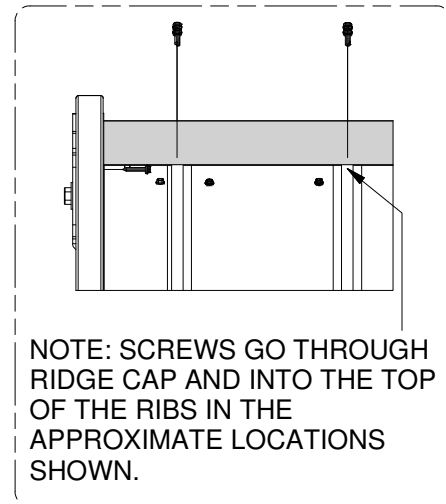
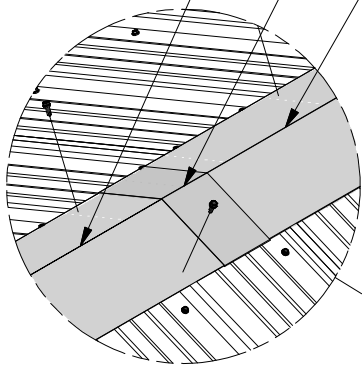
1/4-14 x 3/4" SELF DRILLING SCREW
(18 PLCS)

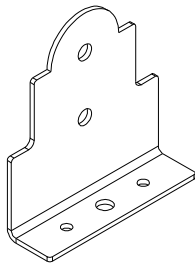
6 X 6 HIP/RIDGE CAP 29 GA
(1 PLC)

6 X 6 HIP/RIDGE CAP SPLICE
(1 PLC)

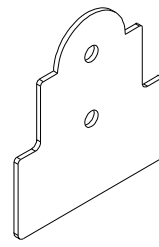
6 X 6 HIP/RIDGE CAP 29 GA
(1 PLC)

NOTE:
SLIP RIDGE CAP INTO SPLICE.
ENSURE THAT BOTH ENDS ARE
FLUSH WITH EDGE OF ROOF
PANELS.



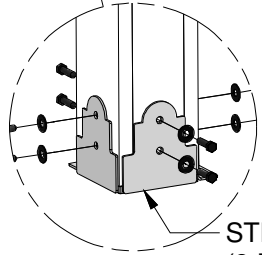
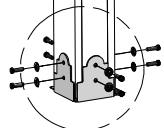
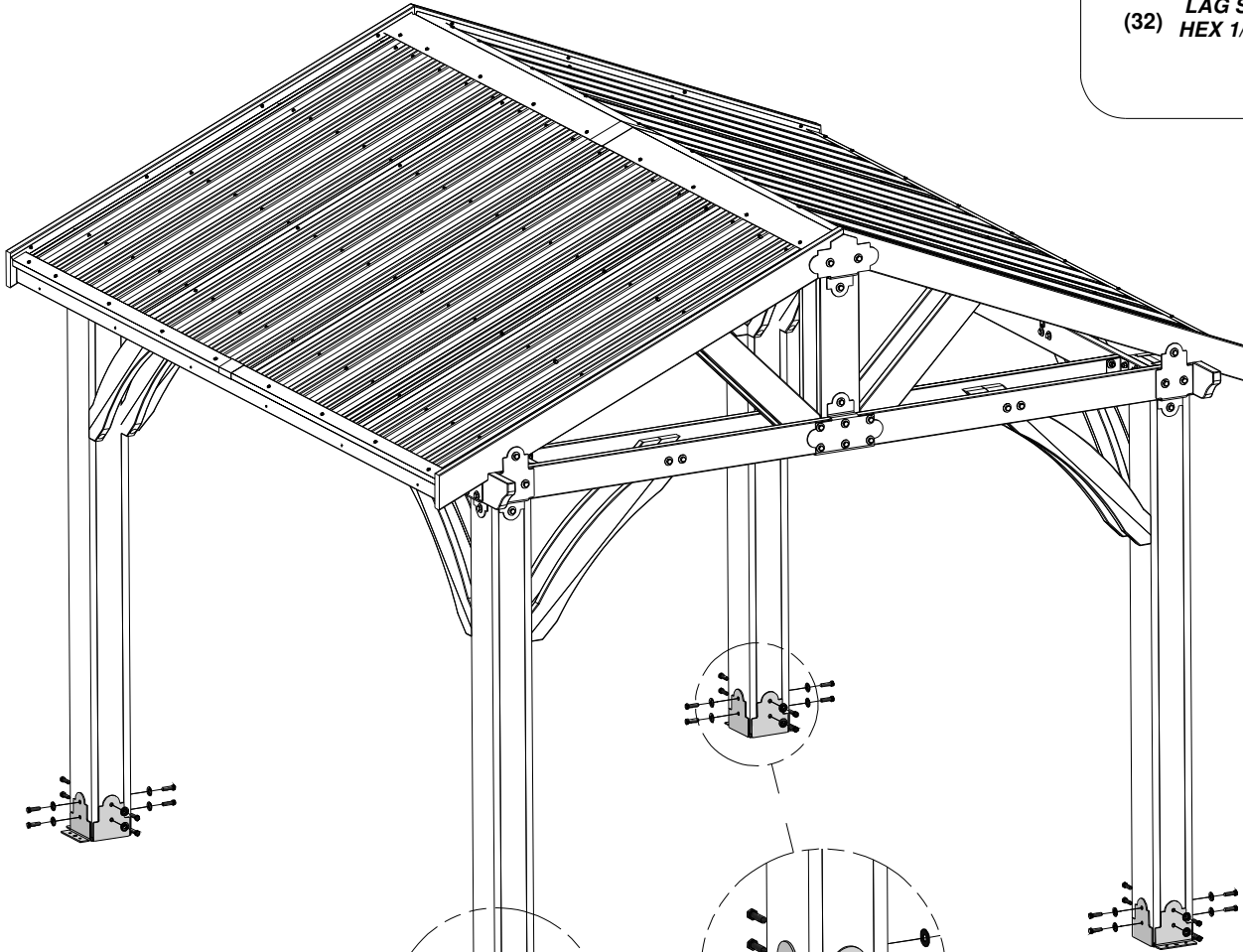
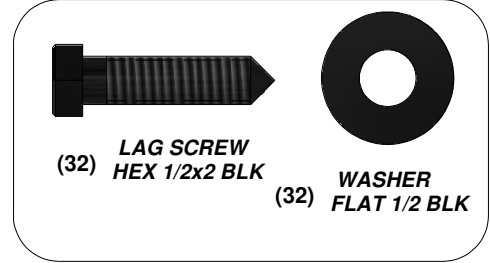


(8) - STEEL POST ANCHORING PLATE WITH FLANGE - A4M00949

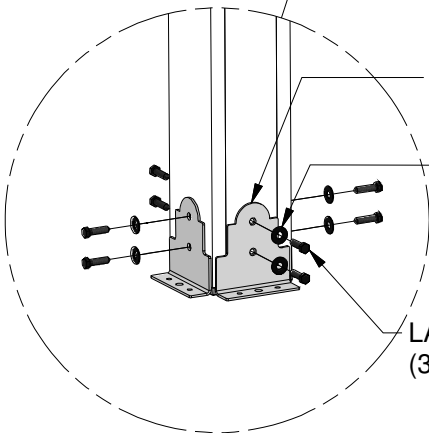


(8) - STEEL POST PLATE - A4M00950

STEP 24



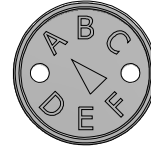
STEEL POST PLATE
(8 PLCS)



STEEL POST ANCHORING PLATE WITH FLANGE
(8 PLCS)

WASHER FLAT 1/2 BLK
(32 PLCS)

LAG SCREW HEX 1/2x2 BLK
(32 PLCS)

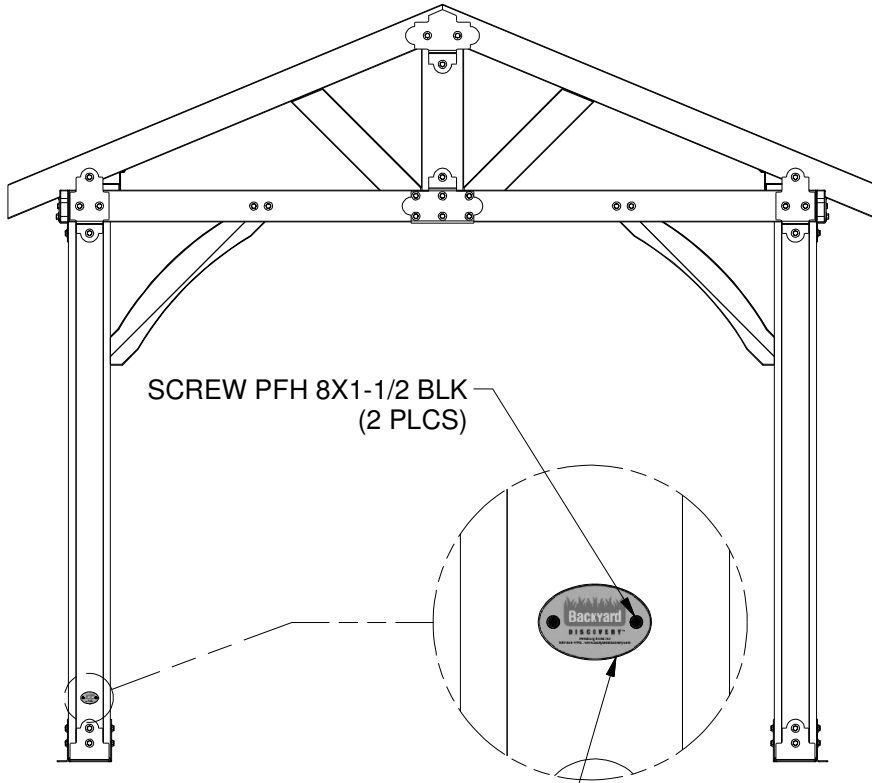


(1) - BYD ID TAG (SMALL) WITHOUT AGES - A100241

(1) - "A" REVISION TAG - A100314

STEP 25

FRONT VIEW

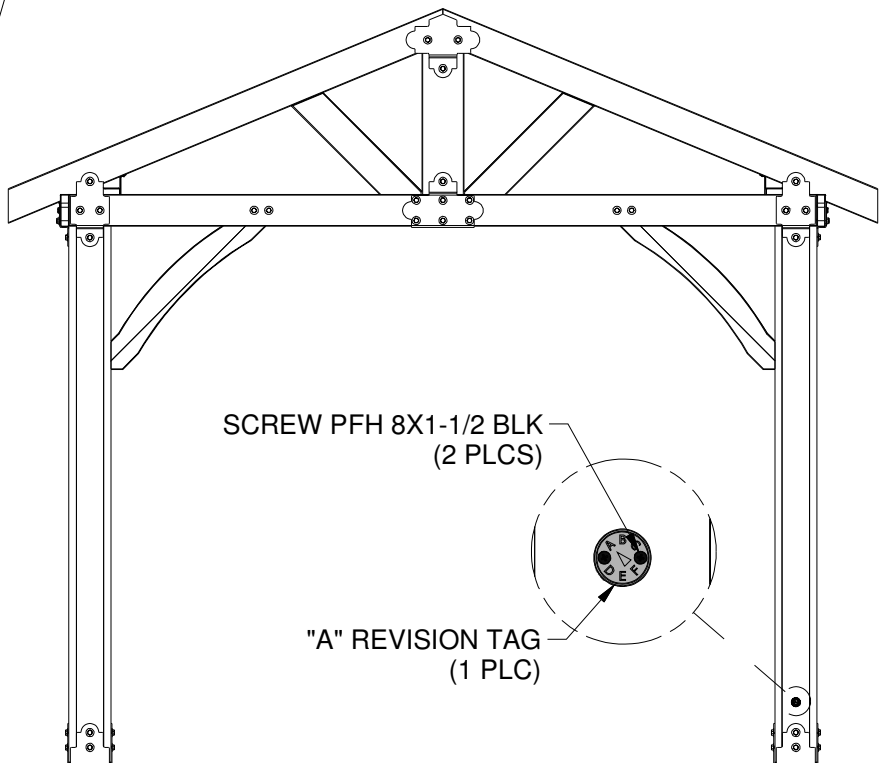


SCREW PFH 8X1-1/2 BLK
(2 PLCS)

BYD ID TAG (SMALL) WITHOUT AGES
(1 PLC)



REAR VIEW



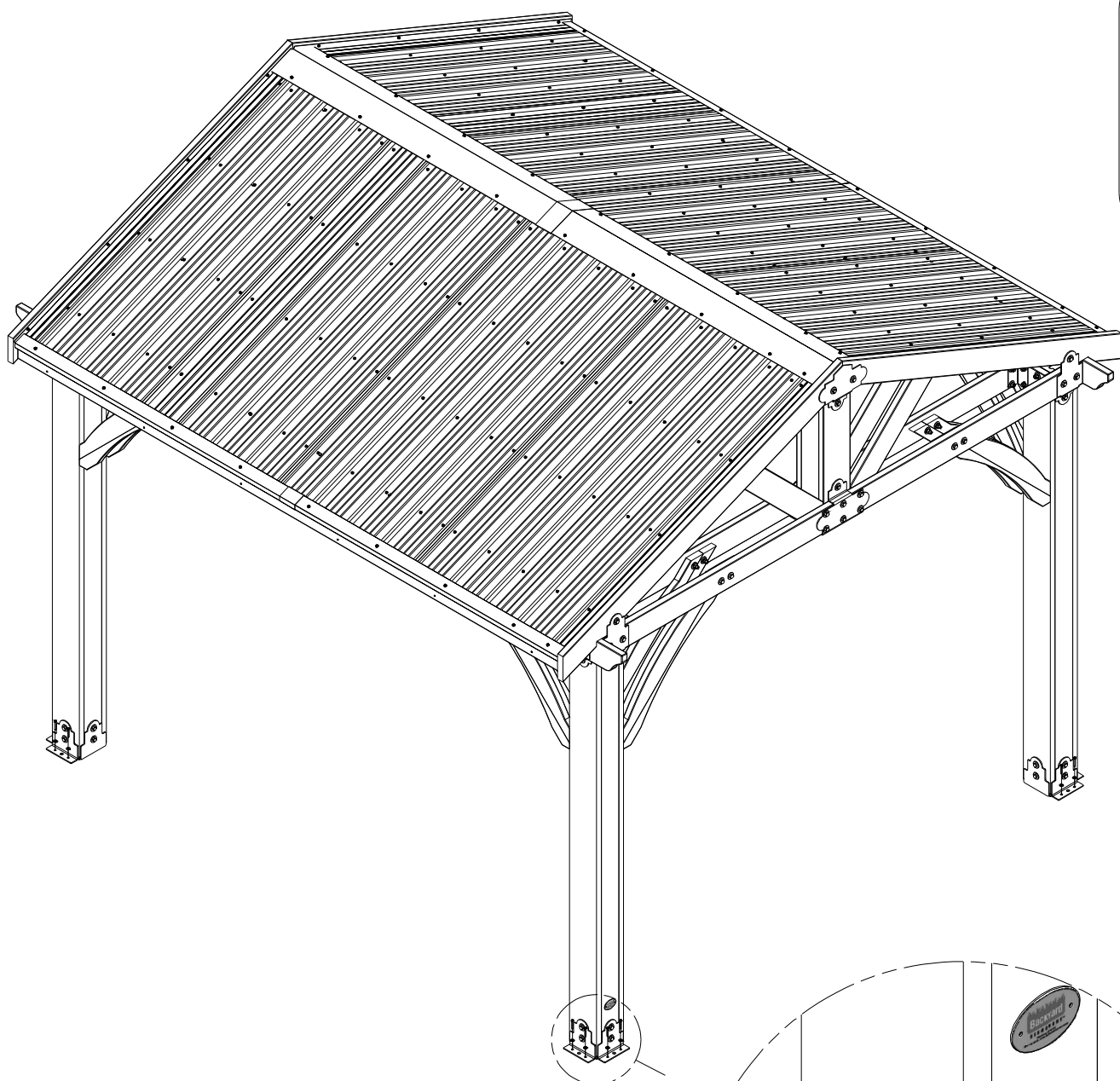
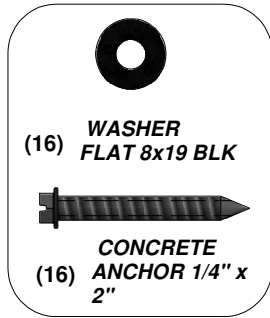
SCREW PFH 8X1-1/2 BLK
(2 PLCS)

"A" REVISION TAG
(1 PLC)

NOTE:

MANUFACTURER RECOMMENDS INSTALLATION ON CONCRETE SURFACE OR CONCRETE POST PADS. SEE BELOW.
FOR INSTALLATION ON WOOD DECK, YOU MUST ENSURE THERE IS AMPLE STRUCTUAL SUPPORT UNDER DECK.

STEP 26



CONCRETE ANCHOR 1/4" x 2"
(16 PLCS)

WASHER FLAT 8x19 BLK
(16 PLCS)

PRE-DRILL HOLES FOR CONCRETE ANCHORS
USING A 3/16" CONCRETE DRILL BIT.

