



LightWise®

WINDOWS BY PITTSBURGH CORNING

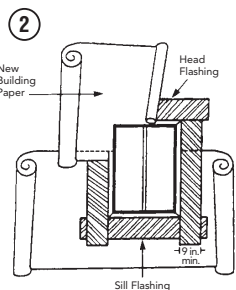
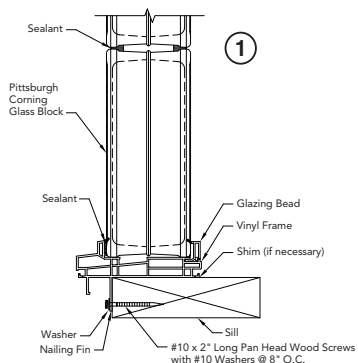


Vinyl Frame – Installation Instructions

New Construction Installation Instructions

- Preparations:** All framing members must conform to present industry standards.
- Set window in rough opening from outside with nailing fin overlapping exterior sheathing. Provide a continuous bead of sealant between the nailing fin and exterior sheathing. Press the fin into the sealant before nailing. Center window within rough opening.
- Level and plumb window by shimming at sill, side jambs and head if necessary (**Figure 1**). Be sure to check both side-to-side and front-to-back alignment. Shim spaces to be no more than 1/4" per side.

- Secure nailing fin with #10 x 2" long pan head wood screws with #10 washers, starting 3" in from all corners and 8" on center maximum spacing.
- Install 9" flashing strips over the nailing fins as shown in **Figure 2**. Apply underlayment (such as building paper) in a shingled (overlapping) pattern or follow industry standards for window flashing.
- After exterior siding or brick is applied, caulk around perimeter of window unit. (When brick veneer is used as exterior finish, adequate clearance must be left for caulking between window sill and masonry. This will prevent damage and bowing of sill caused by shrinkage and settling of structural lumber.)



*Nominal Width or Height	**Rough Opening Required
8"	9 13/16"
16"	17 5/8"
24"	25 3/8"
32"	33 3/16"
40"	40 15/16"
48"	48 3/4"
56"	56 9/16"
64"	64 5/16"
72"	72 1/8"
80"	79 7/8"

* Based on 8" x 8" nominal sized glass block.

** Rough Opening = Actual Size + 1/2".

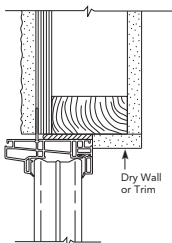
Installation & Cleaning Recommendations

- Use a detergent-water solution and soft rag or brush to remove dust, dirt, smoke film, soot or salt spray from vinyl frame surfaces.
- For glass surfaces, follow common window-cleaning procedures using warm soapy water or a branded glass cleaning product.
- Protect LightWise® Windows from power washing and acid cleaning of surrounding walls.

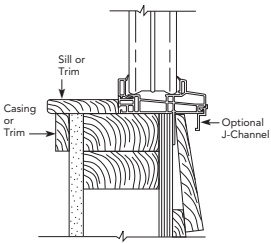
ANSI Z97.1	Passed 12", 18" and 48" drops
CPSC-16-CFR 1201	Passed 48" drop

AAMA Designation	Optional Water Test	Air Test
FW-R 90 (40 x 80)	720 Pa (15.0 PSF)	75 Pa (1.6 PSF)
FW-R 90 (56 x 64)	720 Pa (15.0 PSF)	75 Pa (1.6 PSF)

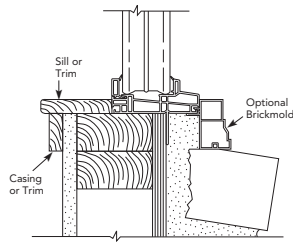
Finishing and Accessories



Head or Jamb Detail



Sill Detail w/Optional J-Channel



Sill Detail w/Optional Brickmold

The information contained herein is accurate and reliable to the best of our knowledge. But, because Pittsburgh Corning Corporation has no control over installation workmanship, accessory materials or conditions of application, NO EXPRESS OR IMPLIED WARRANTY OF ANY KIND, INCLUDING THOSE OF MERCHANTABILITY OR FITNESS FOR A PARTICULAR PURPOSE, IS MADE as to the performance of an installation containing Pittsburgh Corning products. In no event shall Pittsburgh Corning be liable for any damages arising because of product failure, whether incidental, special, consequential or punitive, regardless of the theory of liability upon which any such damages are claimed. Pittsburgh Corning Corporation provides written warranties for many of its products, and such warranties take precedence over the statements contained herein.



PITTSBURGH CORNING™

PITTSBURGH CORNING CORPORATION
800 Presque Isle Drive
Pittsburgh, PA 15239
724-327-6100

pittsburghcorning.com

MADE IN AMERICA

LightWise® logo is a registered trademark owned and protected by Pittsburgh Corning Corporation, Pittsburgh, PA 15239

©2011 Pittsburgh Corning Corporation

Printed in U.S.A.

LWW-200 (V) 2.5M 3/11