

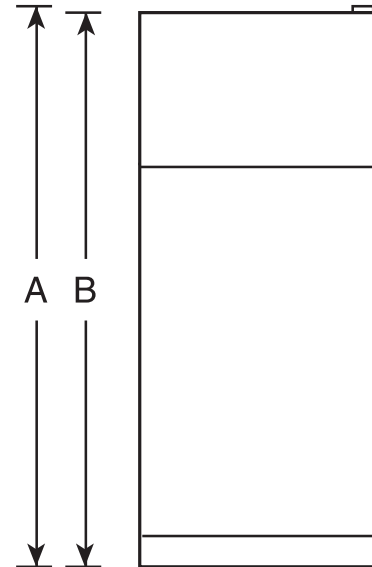
GTE21GTH

GE® ENERGY STAR® 21.2 Cu. Ft. Top-Freezer Refrigerator

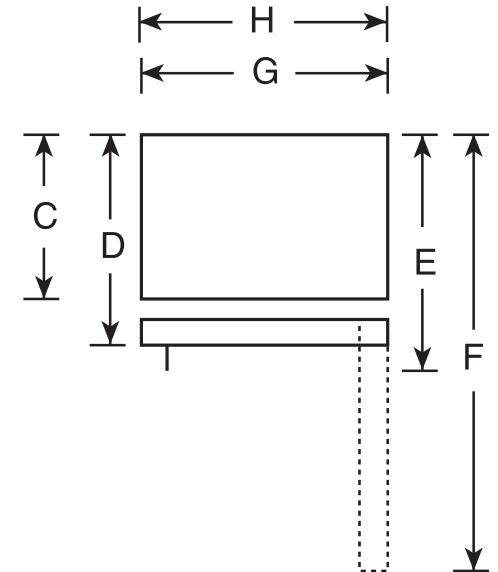
Dimensions and Installation Information (in inches)

Overall Dimensions	Height to top of hinge (in.) A	66-3/4
	Height to top of case (in.) B	66-1/4
	Case depth without door (in.) C	29
	Case depth less door handle (in.) D	32-1/4
	Case depth with door handle (in.) E	34
	Depth with fresh food door open 90° (in.) F	62-3/4
	Width (in.) G	32-7/8
	Width with door open 90° with door handle (in.) H	35-1/2
Air Clearances	Each side (in.)	1/8
	Top (in.)	1/8
	Back (in.)	1

Front View



Top View



For answers to your Monogram,® Cafe™ Series, Profile™ Series or GE® appliance questions, visit our website at geappliances.com or call GE Answer Center® service, 800.626.2000.



imagination at work



Listed by
Underwriters
Laboratories



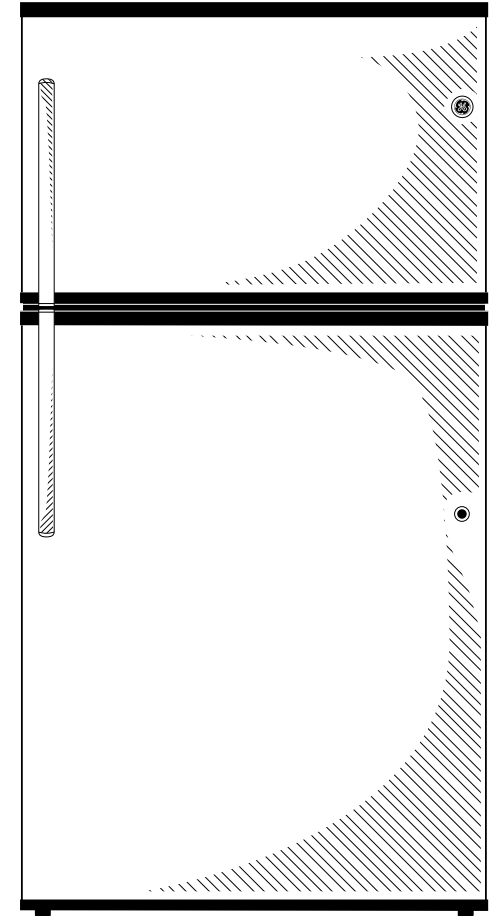
As an ENERGY STAR® partner, GE has determined that this product meets the ENERGY STAR guidelines for energy efficiency.

GTE21GTH

GE® ENERGY STAR® 21.2 Cu. Ft. Top-Freezer Refrigerator

Features and Benefits

- 2014 ENERGY STAR® qualified
- 32-3/4" wide
- Upfront temperature controls - Easy-to-use controls regulate both fresh food and freezer sections
- Adjustable spill-resistant glass shelves - Designed to contain spills for easy cleaning
- Equipped for optional icemaker - Easily accommodates the installation of an icemaker
- Snack drawer - Conveniently stores favorite foods and allows for quick, easy access
- Adjustable-humidity drawers - Controls helps food stay fresh
- Large door bins - Deep bins handle large containers in the door and free up valuable shelf space
- Wire freezer shelf - Provides additional storage for frozen foods
- Spillproof freezer floor - Seamless design of the freezer floor wipes up easily for quick cleanup
- Model GTE21GTHWW - White
- Model GTE21GTHBB - Black
- Model GTE21GTHCC - Bisque



imagination at work



As an ENERGY STAR® partner, GE has determined that this product meets the ENERGY STAR guidelines for energy efficiency.

Specification Revised 1/15