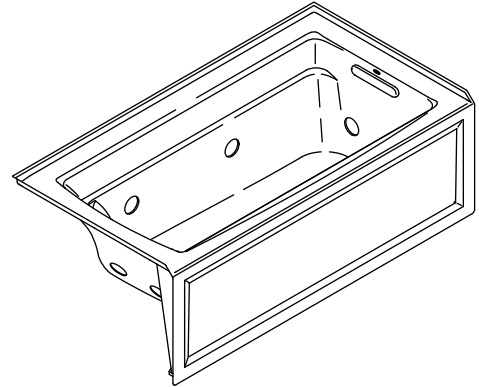


### Features

- Acrylic
- 8 color-matched Kohler hydro-massage jets
- Integral apron with removable access panel
- Pump with air switch and grounding-type plug-in cord
- Integral tile flange
- Left or right drain
- Integral lumbar support
- Slotted overflow for maximum bathing depth
- Low threshold height
- Armrests
- 60" (1524 mm) x 32" (813 mm) x 19" (483 mm)

### 5' BATH WHIRLPOOL WITH INTEGRAL APRON K-1122-LA ALSO K-1122-RA

ADA



### Codes/Standards Applicable

Specified model meets or exceeds the following:

- ADA
- ICC/ANSI A117.1
- ASME A112.19.7
- CSA B45.5/IAPMO Z124
- ASTM E162
- ASTM E662

### Colors/Finishes

- 0: White
- Other: Refer to Price Book for additional colors/finishes

### Accessories

- CP: Polished Chrome
- Other: Refer to Price Book for additional colors/finishes

### Specified Model

Model	Description	Colors/Finishes	
K-1122-LA	Bath whirlpool with integral apron, left drain	<input type="checkbox"/> 0	<input type="checkbox"/> Other _____
K-1122-RA	Bath whirlpool with integral apron, right drain	<input type="checkbox"/> 0	<input type="checkbox"/> Other _____
<b>Required Accessories</b>			
K-7271	Clearflo slotted overflow brass bath drain <b>OR</b>	<input type="checkbox"/> CP	<input type="checkbox"/> Other _____
K-7272	Clearflo slotted overflow bath drain – PVC pipe	<input type="checkbox"/> CP	<input type="checkbox"/> Other _____

### Product Specification

The acrylic bath whirlpool shall be 60" (1524 mm) in length, 32" (813 mm) in width, and 19" (483 mm) in height. Bath whirlpool shall have 8 color-matched jets, and pump with air switch and grounding type plug-in cord. Bath whirlpool shall have an integral apron with removable access panel and integral tile flange. Bath whirlpool shall have left or right drain. Bath shall have slotted overflow for maximum bathing depth, low threshold height, and integral lumbar support. Bath shall have armrests. Bath whirlpool shall be Kohler Model K-1122-\_\_\_\_\_-\_\_\_\_\_-\_\_\_\_\_.

# ARCHER™

## Technical Information

Fixture*:	
Bathing well:	
Basin area, bottom	45-1/8" (1146 mm) x 19-11/16" (500 mm)
Basin area, top	52-3/4" (1340 mm) x 25-5/16" (643 mm)
Weight	135 lbs (61.2 kg)
To overflow:	
Water depth	15" (381 mm)
Capacity	58 gal (219.5 L)
* Approximate measurements for comparison only.	

Pump:	V	Hz	A
1-speed	120	60	7
Pump is supplied with 24" (610 mm) grounding-type plug-in cord.			

## Required Electrical Service

Dedicated circuit required, protected with a Class A Ground-Fault Circuit-Interrupter (GFCI):

Pump/control	120 V, 15 A, 60 Hz
Locate the outlet behind the whirlpool and within 24" (610 mm) of the pump.	

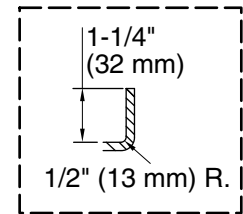
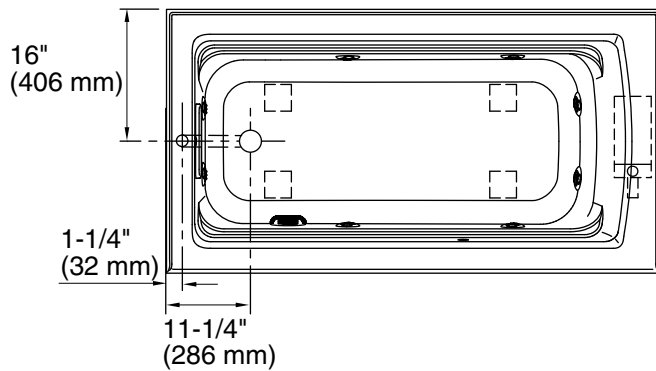
## Installation Notes

Install this product according to the installation guide.

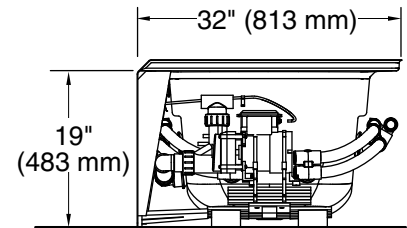
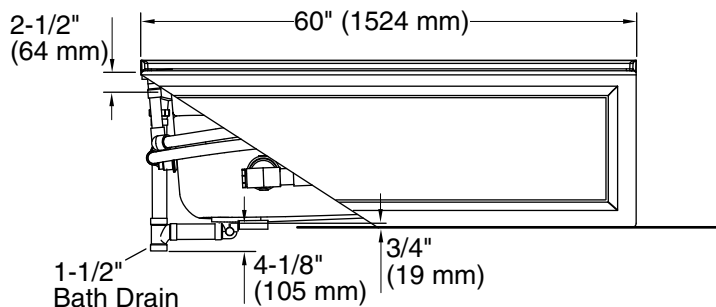
Floor support under this product must provide for a minimum of 49 lbs/square foot (240 kg/square meter) loading.

The hot water supply should be 70% of the capacity of the bath or greater. Installations will vary.

Will comply with **ADA** when installed per Section 607 Bathtubs of the Act.



**Integral Flange Detail**



No change in measurements if connected with drain illustrated. (K-7272)

## Product Diagram