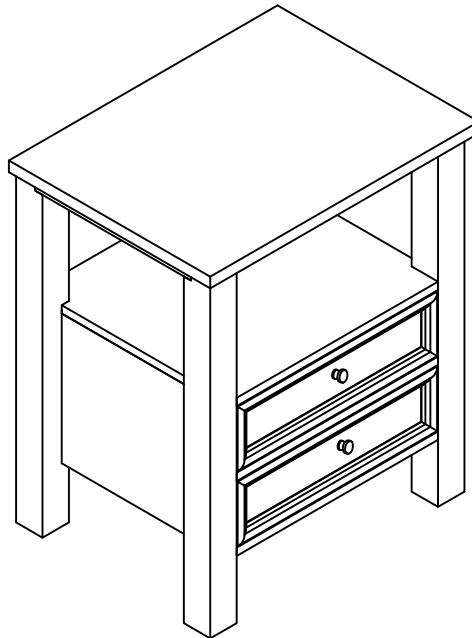


**StyleWell™**

Model #BF-25648-WA  
BF-25648-HO  
BF-25648-BK  
BF-25648-IV  
Item #1004019276  
1004020545  
1004019312  
1004019288

## USE AND CARE GUIDE

**THD PRODUCT NAME: Nightstand with open sides  
and 2 bottom drawers**



**Questions, problems, missing parts? Before returning  
to the store, Call Customer Service  
8 a.m. - 7p.m., EST, Monday - Friday, 9 a.m. - 6 p.m.,  
EST, Saturday**

**1-877-527-0313  
HOMEDEPOT.COM**

---

**THANK YOU**

*We appreciate the trust and confidence you have placed in Stylewell through the purchase of this nightstand. We strive to continually create quality products designed to enhance your home. Visit us online to see our full line of products available for your home improvement needs. Thank you for choosing Stylewell!!*

---

## Table of Contents

Table of Contents.....	2	Assembly.....	5
Safety Information.....	2	Maintenance.....	10
Warranty.....	2	Care and Cleaning.....	10
What is Covered.....	2		
What Is Not Covered.....	2		
Pre-Assembly.....	3		
Planning Assembly.....	3		
Tools Required.....	3		
Hardware included.....	4		
Package contents.....	5		

## Safety Information

Read and understand these instructions before attempting to install or use this product.



**CAUTION:** Use caution when lifting heavy objects. Lifting heavy objects improperly could cause serious injury.



**NOTE:** Handle with care. Do not drop or handle roughly, as this could damage the linen cabinet.

## Warranty

### 1 YEAR WARRANTY

#### WHAT IS COVERED

We guarantee this product to be free of manufacturing defects to the original purchaser for one year.

#### WHAT IS NOT COVERED

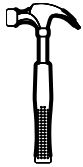
This warranty does not cover commercial use, acts of nature, and abusive use.

# Pre-Assembly

## PLANNING ASSEMBLY

Check the product for damage before installation. If any part of the product is missing or damaged, contact the Customer Service Team at 1-877-527-0313.

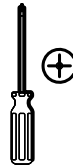
## TOOLS REQUIRED



Hammer



Safety goggles

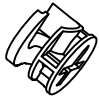


Phillips screwdriver

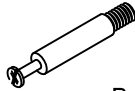
## HARDWARE INCLUDED



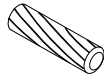
**NOTE** Hardware not shown to actual size.



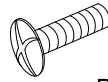
A



B



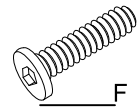
C



D



E



F



G



H



I

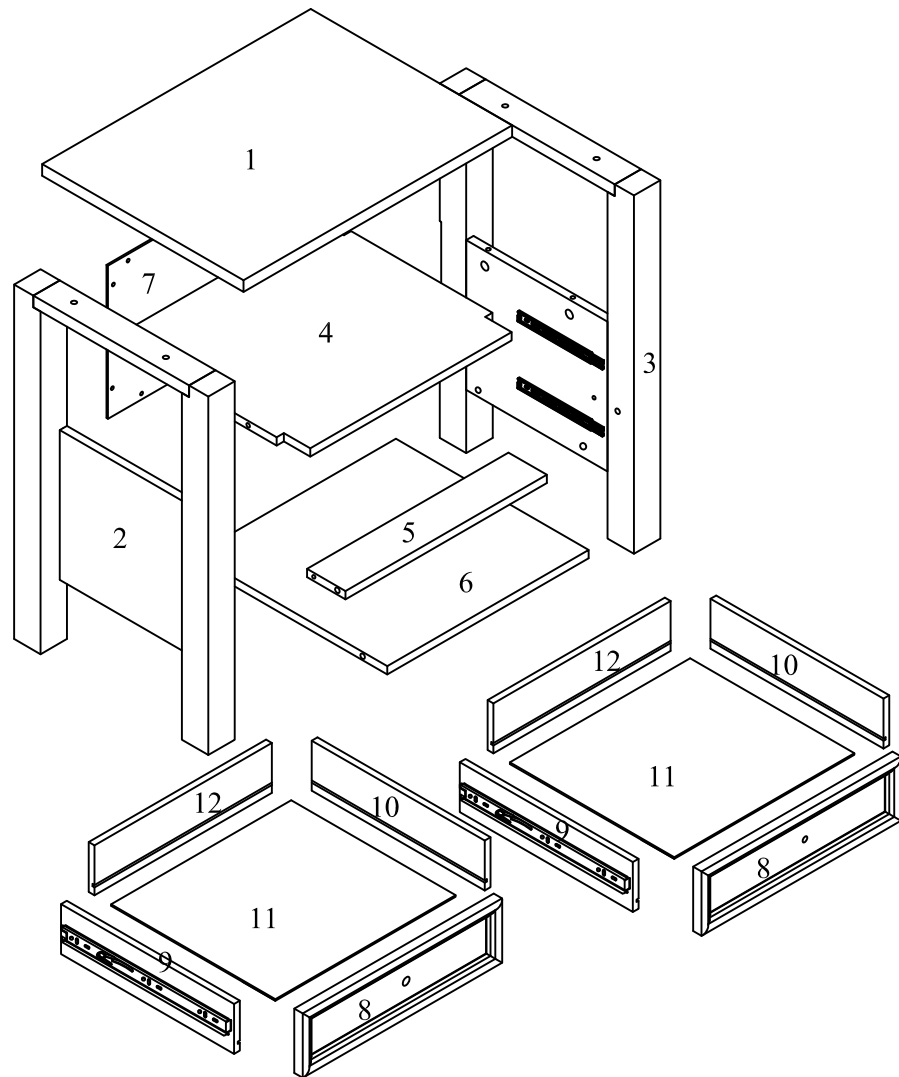


J

PART	DESCRIPTION	QUANTITY
A	CAM-LOCKS	10
B	CAM-BOLTS	10
C	DOWEL	2
D	BOLTS	2
E	KNOBS	2
F	BOLT	4
G	SCREWS	16
H	SCREWS	10
I	CAM-TOOL	1
J	ALLEN KEY	1

# Pre-Assembly

## PACKAGE CONTENTS



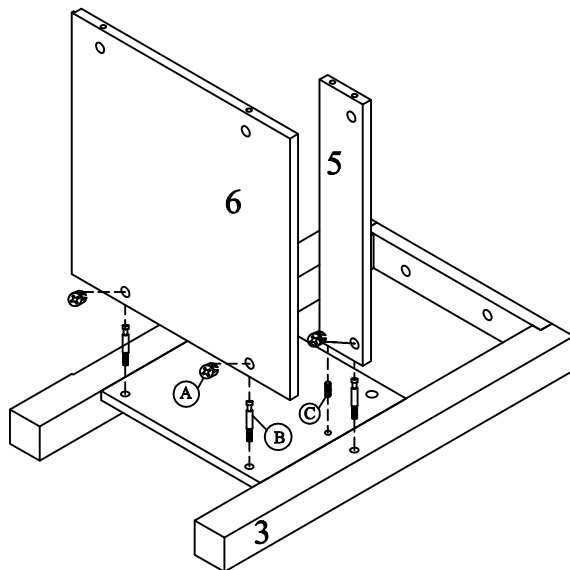
PART	DESCRIPTION	QUANTITY
1	TOP PANEL	1
2	LEFT SIDE PANEL	1
3	RIGHT SIDE PANEL	1
4	ACROSS PANEL	1
5	FRONT RAIL	1
6	BOTTOM PANEL	1
7	BACK PANEL	1
8	DRAWER FRONT PANEL	2
9	DRAWER LEFT SIDE PANEL	2
10	DRAWER RIGHT SIDE PANEL	2
11	DRAWER BOTTOM PANEL	2
12	DRAWER BACK PANEL	2

## Assembly

### 1

#### Assemble Bottom panel.

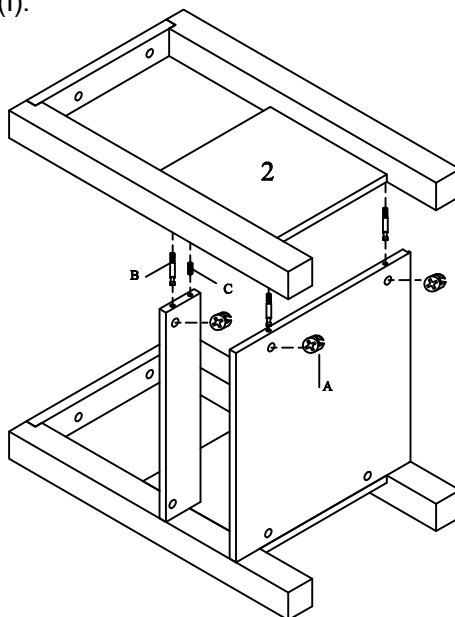
- Insert 3 cam bolts (B) and 1 dowel (C) into the hole across the right side panel (3).
- Place the 3 cam bolts (A) into the holes in the bottom plate (6) and the front panel (5), and then install them using (I).



### 2

#### Assemble Side panel.

- Insert 3 cam bolts (B) and 1 dowel (C) into the hole across the left side panel (2).
- Place the 3 cam bolts (A) into the holes in the bottom plate (6) and the front panel (5), and then install them using (I).

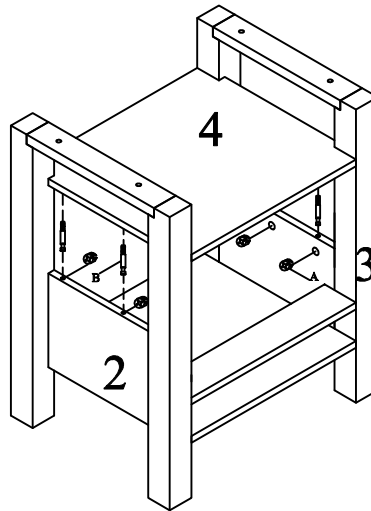


## Assembly

### 3

#### Assemble Across panel.

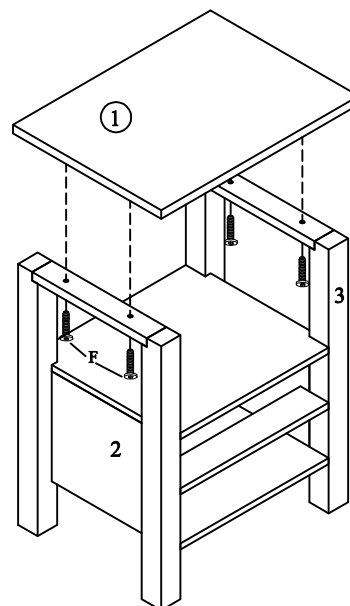
- Insert 4 cam bolts (B) into the hole across the across panel (4).
- Place the 4 cam bolts (A) into the holes in the right side panel (3) and the left side panel (2), and then install them using (2).



### 4

#### Assemble Top panel.

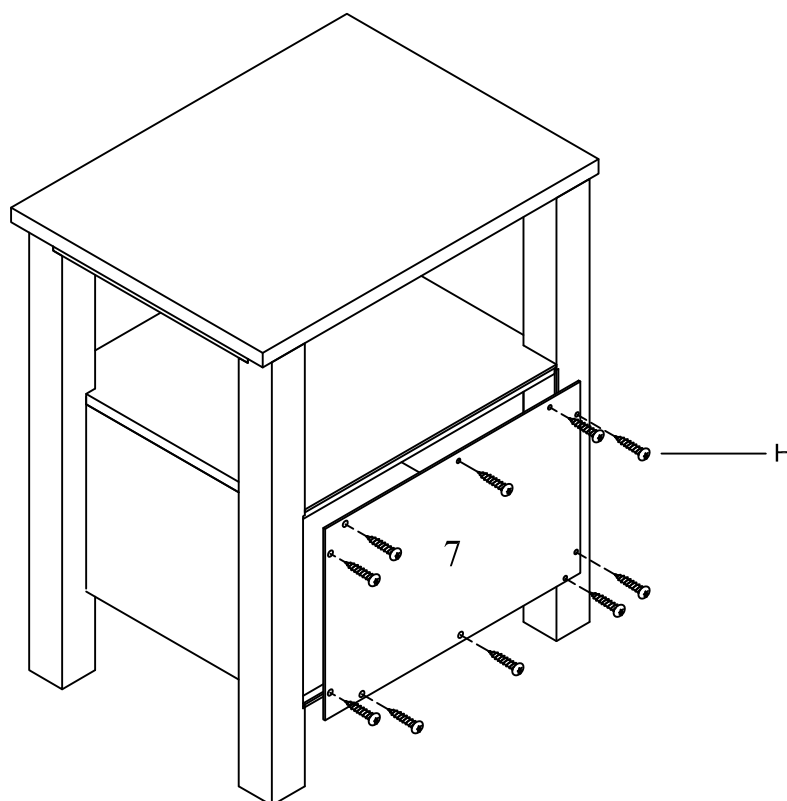
- Attach top panel(1) to left side panel (2) and right side panel (3) using 4 bolts(F).



## Assembly

### 5 Assemble Back panel.

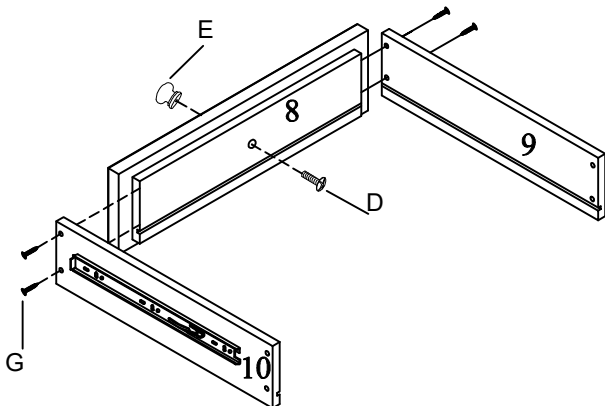
- Attach back panel(7) using 10 screws(H).



## Assembly

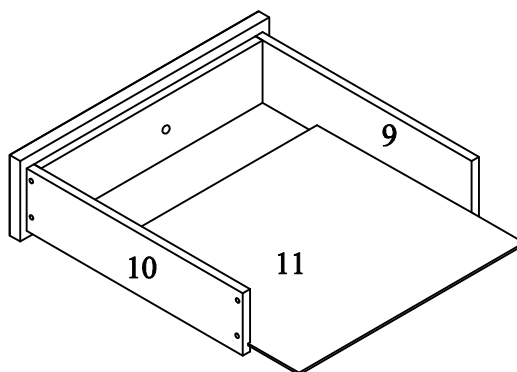
### 6 Assemble drawer front panel.

- Attach drawer left/right side panel(9/10) to drawer front panel(8) using 4 screws(G).
- Use the screw (D) to lock the knobs (E) through the drawer front plate (8).



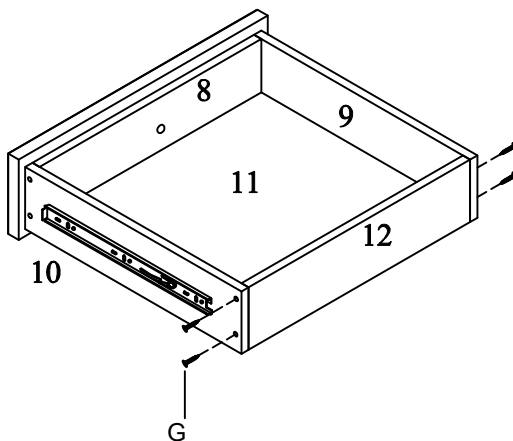
### 7 Assemble drawer bottom panel

- Insert drawer bottom panel(11) into the Slot in the drawer left/right side Panel(9/10).



### 8 Assemble drawer back panel.

- Attach drawer back panel(12) to drawer left/right side panel(9/10) using 4 screws(G).

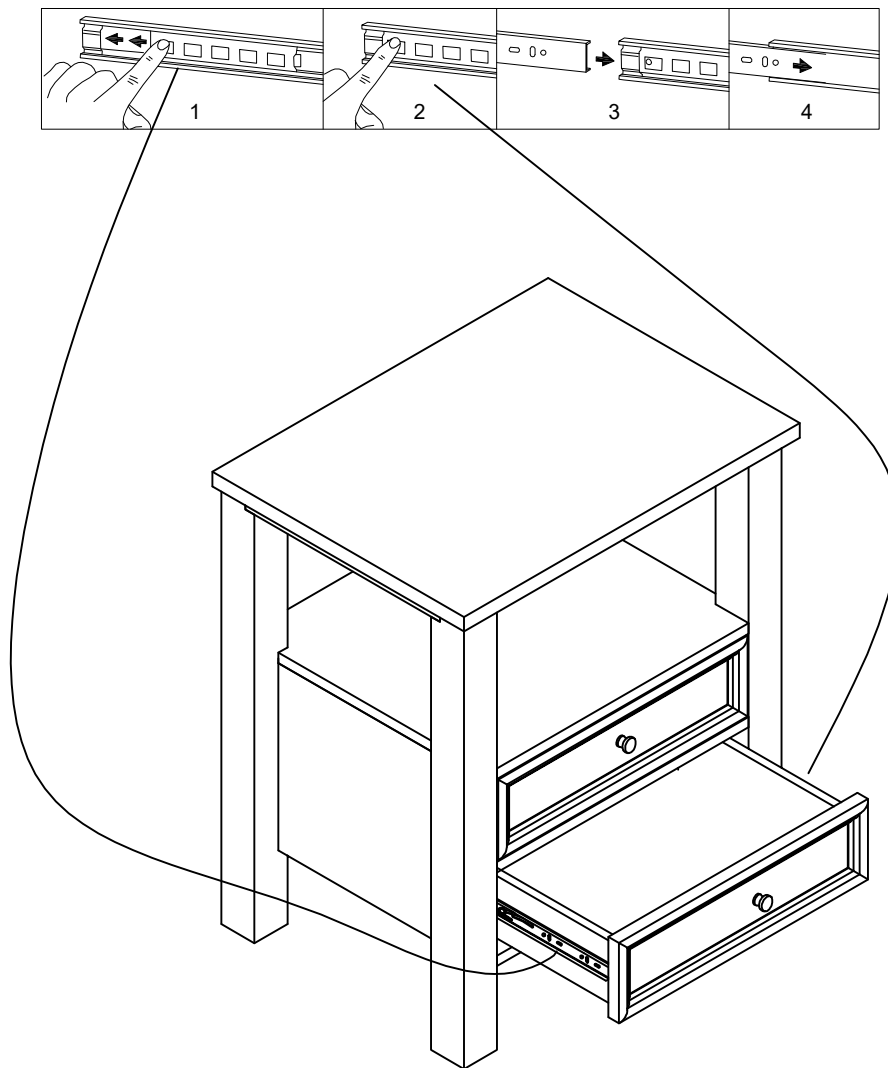




## Assembly

### 9 Assemble drawer.

- Insert the drawers as shown.



## Maintenance

---

- If your furniture is stained or otherwise damaged during use, contact a professional for repairs.

## Care and Cleaning

---

- Use a soft, clean cloth that will not scratch the surface when dusting.
- Use of furniture polishes is not necessary. Should you choose to use polishes, test the polish in an inconspicuous area before using over the entire surface of the product.
- Using solvents of any kind on your furniture may damage the finish.
- Never use water to clean your furniture as it may cause damage to the finish.
- Always use coasters under beverage glasses and flowerpots.
- Liquid spills should be removed immediately. Using a soft, clean cloth, blot the spill gently. Avoid rubbing.
- Always use protective pads under hot dishes and plates. Heat can cause chemical changes that may create spotting within the furniture finish.
- Use care as stains or marks from crayons or ink markers will be difficult to remove.
- Be sure to immediately clean red wine or soda stains within 30 minutes or the surface will stain.

# **StyleWell™**

**Questions, problems, missing parts?  
Before returning to the store, call Customer Service  
8 a.m. - 7 p.m., EST, Monday - Friday, 9 a.m. - 6 p.m., EST, Saturday**

**1-877-527-0313**

**HOMEDEPOT.COM**

**Retain this manual for future**