

# SYMMONS® Moscato™

## Kitchen Faucet S-2620-L

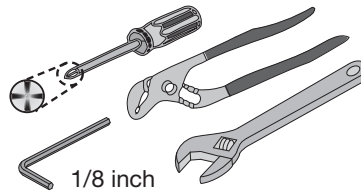
### Installation and Service Instructions



#### Model Numbers

- S-2620-L .....Chrome finish
- S-2620-STN-L ....Satin Nickel finish
- S-2620-STS-L ....Stainless Steel finish

#### Tools & Materials



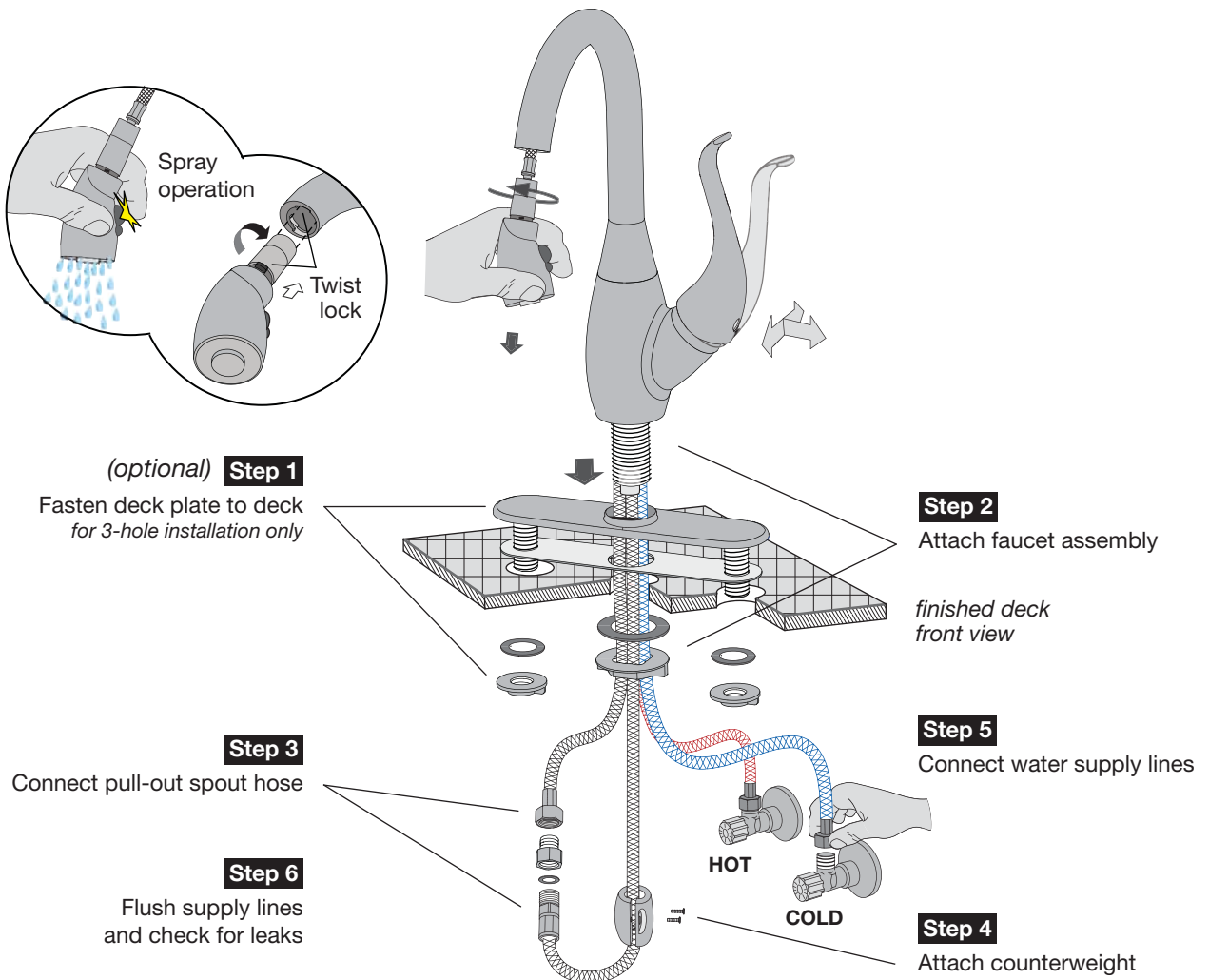
#### ☎ Need Help?

Symmons customer service:  
 (800) 796-6667, (781) 848-2250  
 Email: [customerservice@symmons.com](mailto:customerservice@symmons.com)  
 Monday - Friday 8:00 am - 7:30 pm EST

🌐 [www.symmons.com/service](http://www.symmons.com/service)

- Technical help
- Product information
- Warranty policy.

### Quick Install Guide *Moscato Kitchen Faucet, S-2620-L*

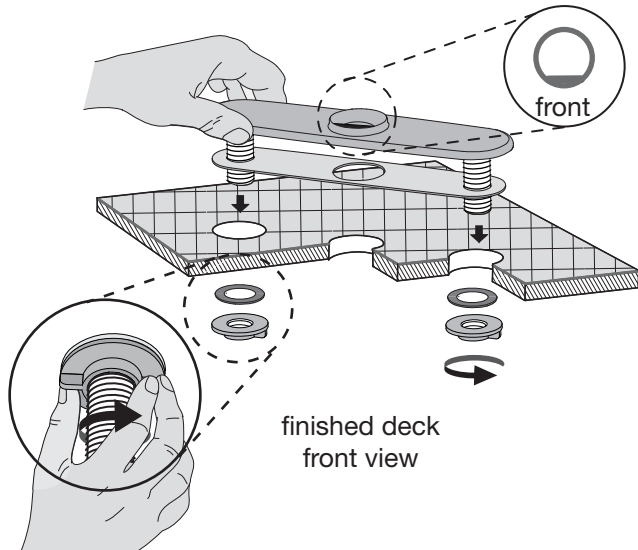


# Installation Instructions

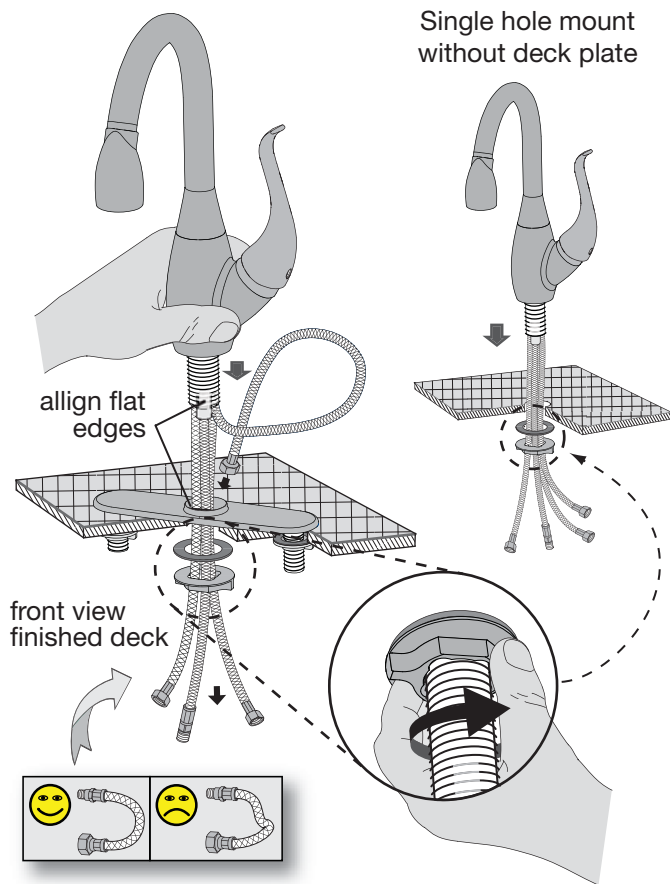
**Caution:** If replacing an older faucet ensure water supply is turned OFF before removing and then turn faucet ON to relieve water pressure.

## Step 1 Attach deck plate to deck (optional)

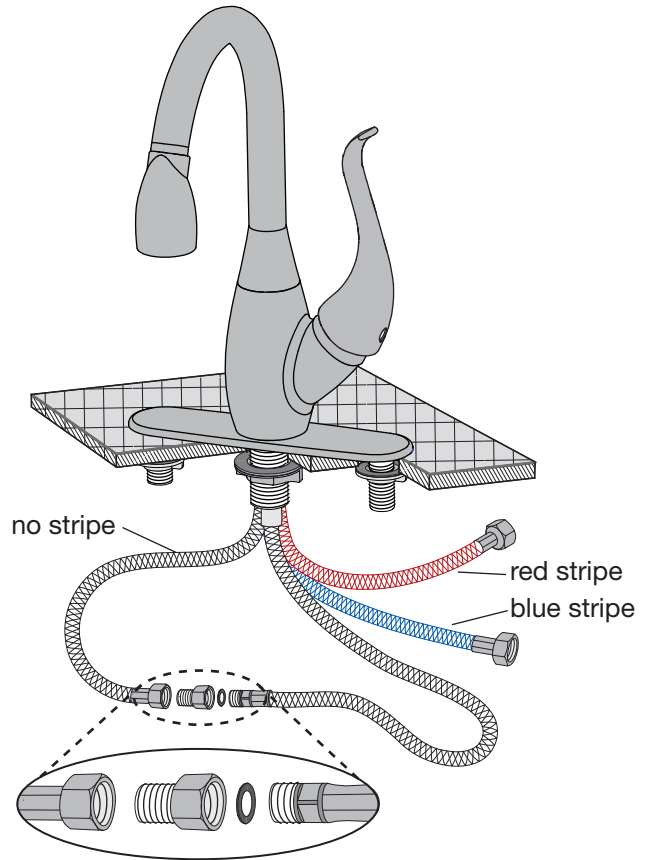
Deck plate is typically used for covering existing holes when faucet is being replaced. Install as required.



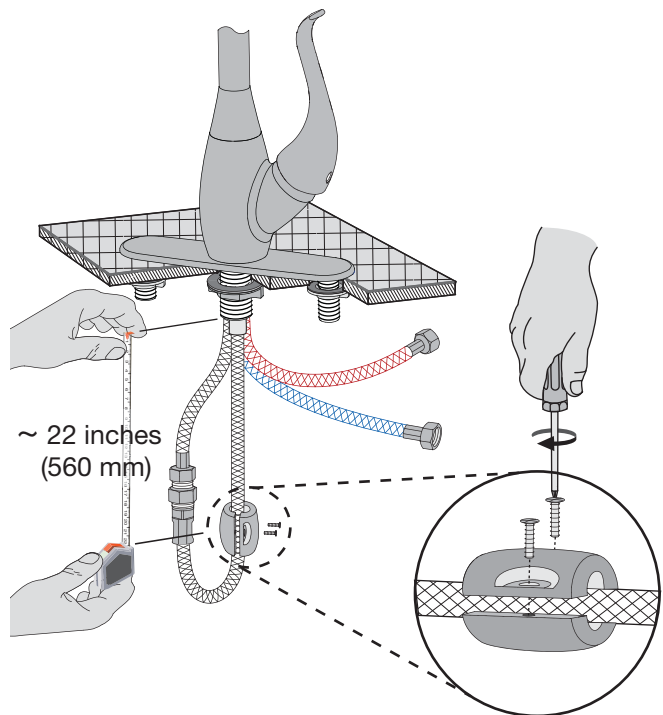
## Step 2 Attach faucet assembly to deck



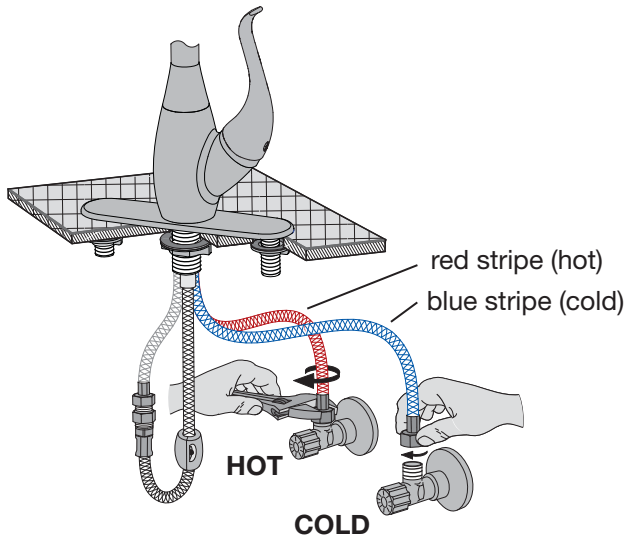
## Step 3 Connect pull-out spout hose



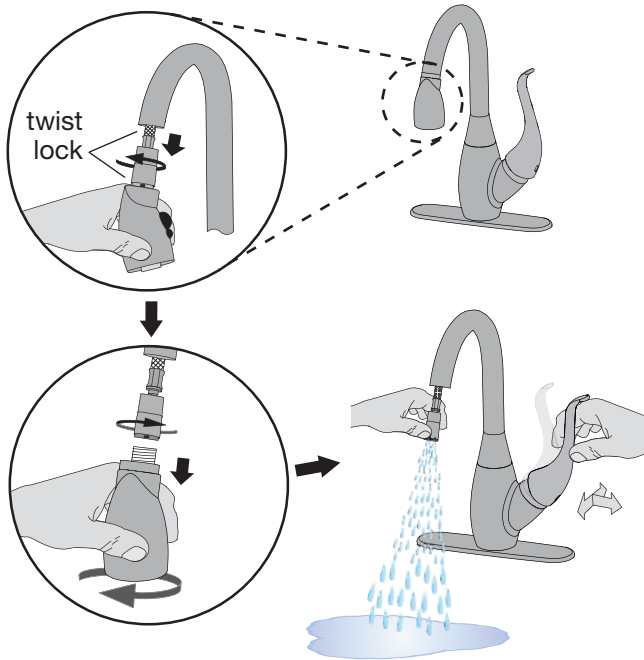
## Step 4 Attach counterweight to hose



### Step 5 Connect water supply lines



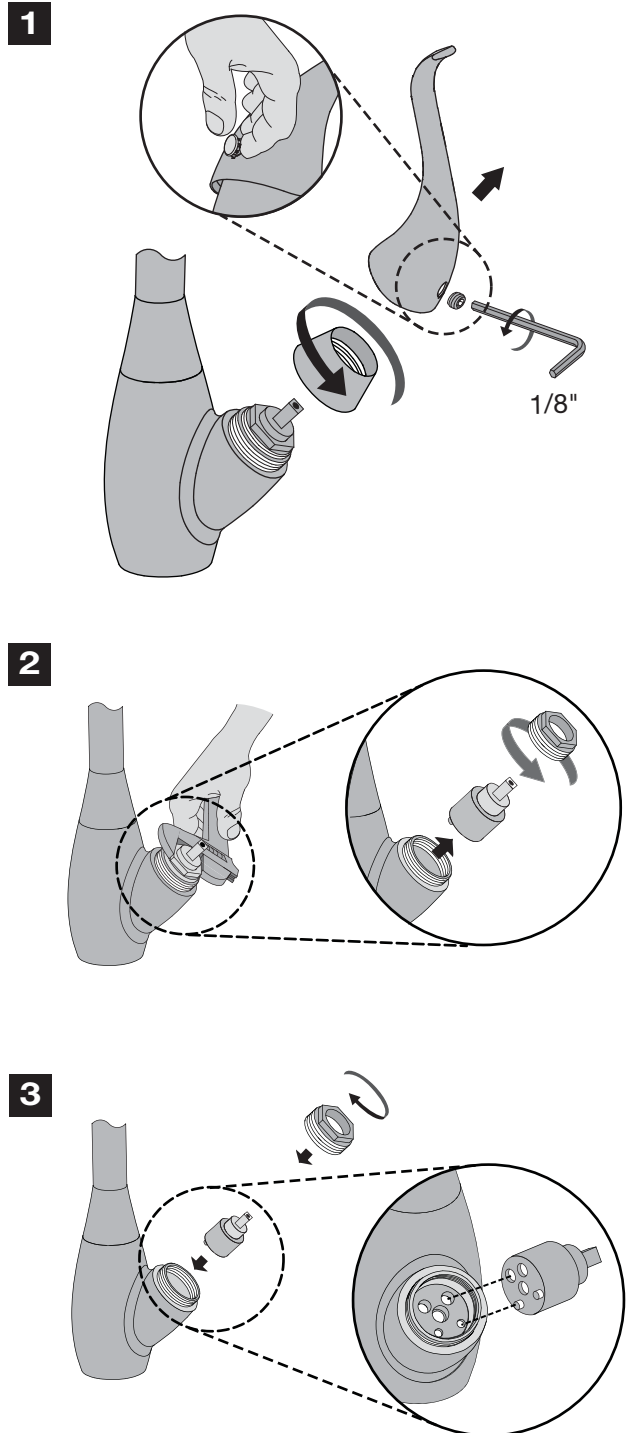
### Step 6 Flush supply lines and check for leaks



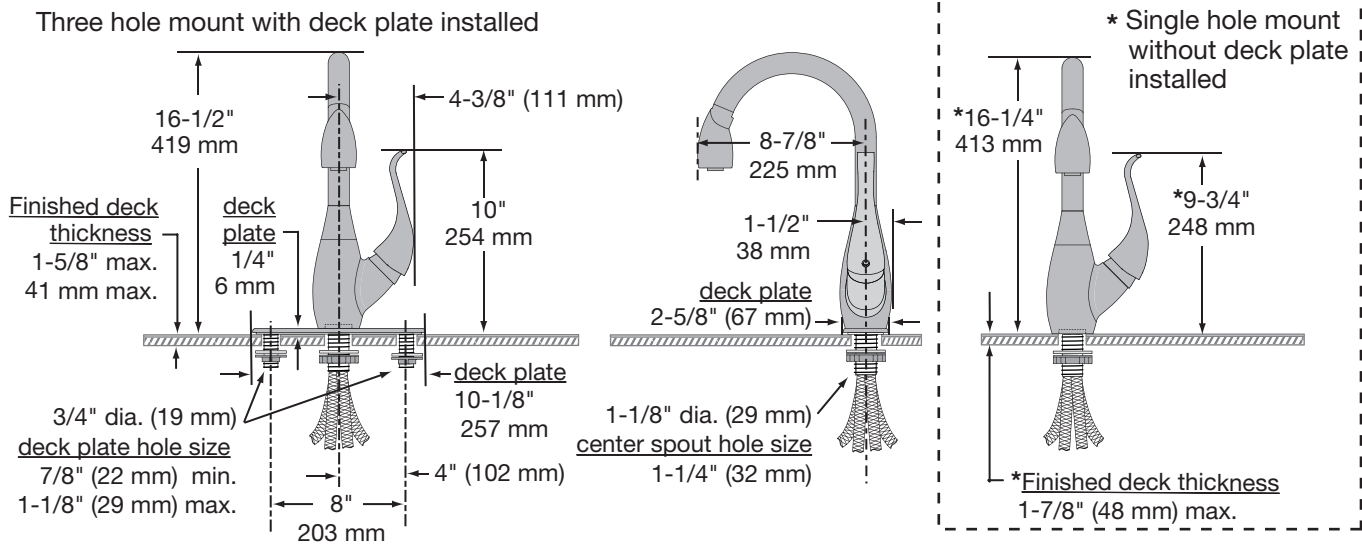
### Care of faucet finish

Clean finish area by using mild soap and water or non-abrasive cleaner and then rinse immediately. A non-abrasive wax may be used to preserve finish area.

### Valve cartridge replacement

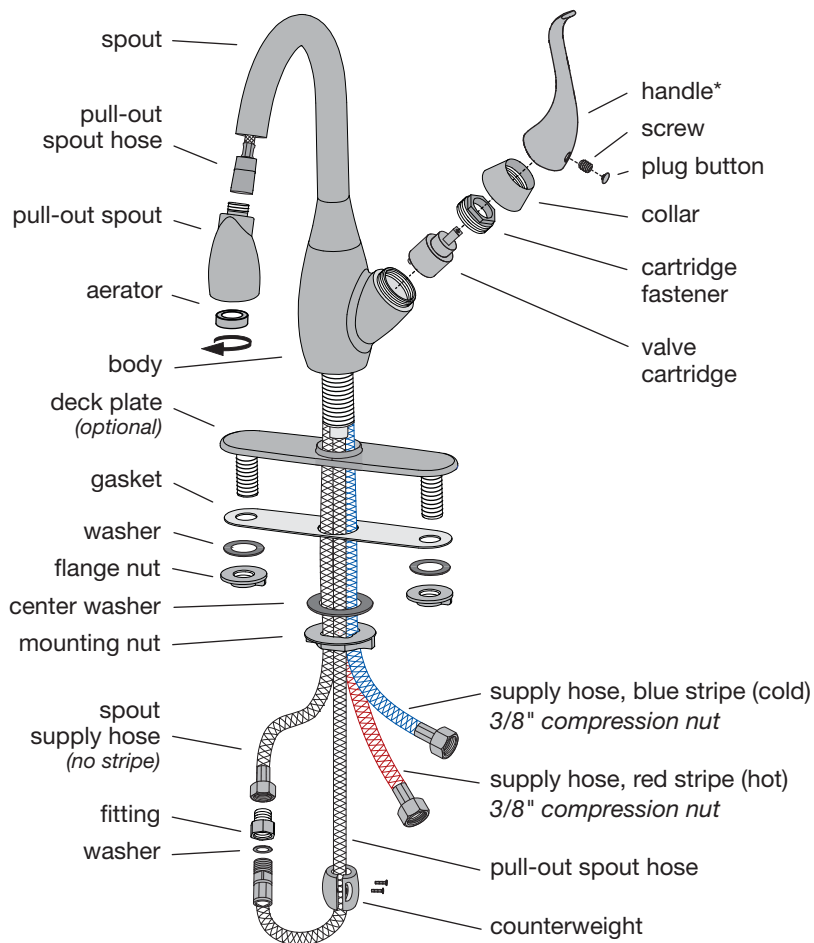


## Dimensions *Moscato Kitchen Faucet, S-2620-L*


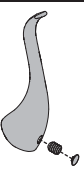


**Note:** Dimensions subject to change without notice.

## Parts Assembly *Moscato Kitchen Faucet, S-2620-L*



### Replacement Parts

Part Number	Item
KN-4	valve cartridge 
KN-281*	handle screw plug button 

### Ordering replacement parts:

Symmons customer service: (800) 796-6667, (781) 848-2250 M-F 8:00 am - 7:30 pm EST  
Symmons distributors: [www.symmons.com](http://www.symmons.com)

\*Note: For decorative finish faucets add appropriate suffix code letters to part numbers marked with an asterisk (\*)