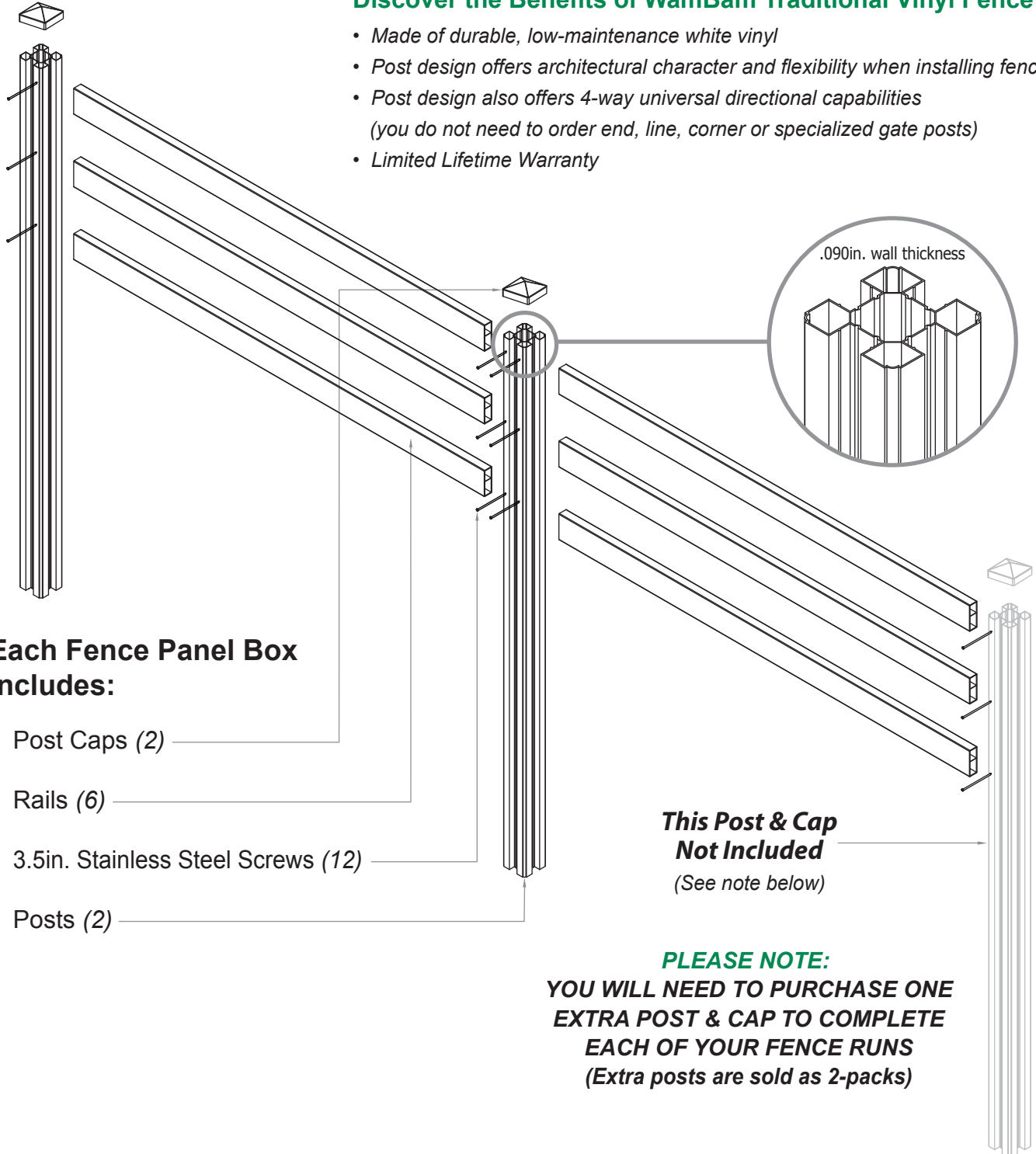


BOX CONTENTS

Discover the Benefits of WamBam Traditional Vinyl Fence

- Made of durable, low-maintenance white vinyl
- Post design offers architectural character and flexibility when installing fence
- Post design also offers 4-way universal directional capabilities (you do not need to order end, line, corner or specialized gate posts)
- Limited Lifetime Warranty



Each Fence Panel Box Includes:

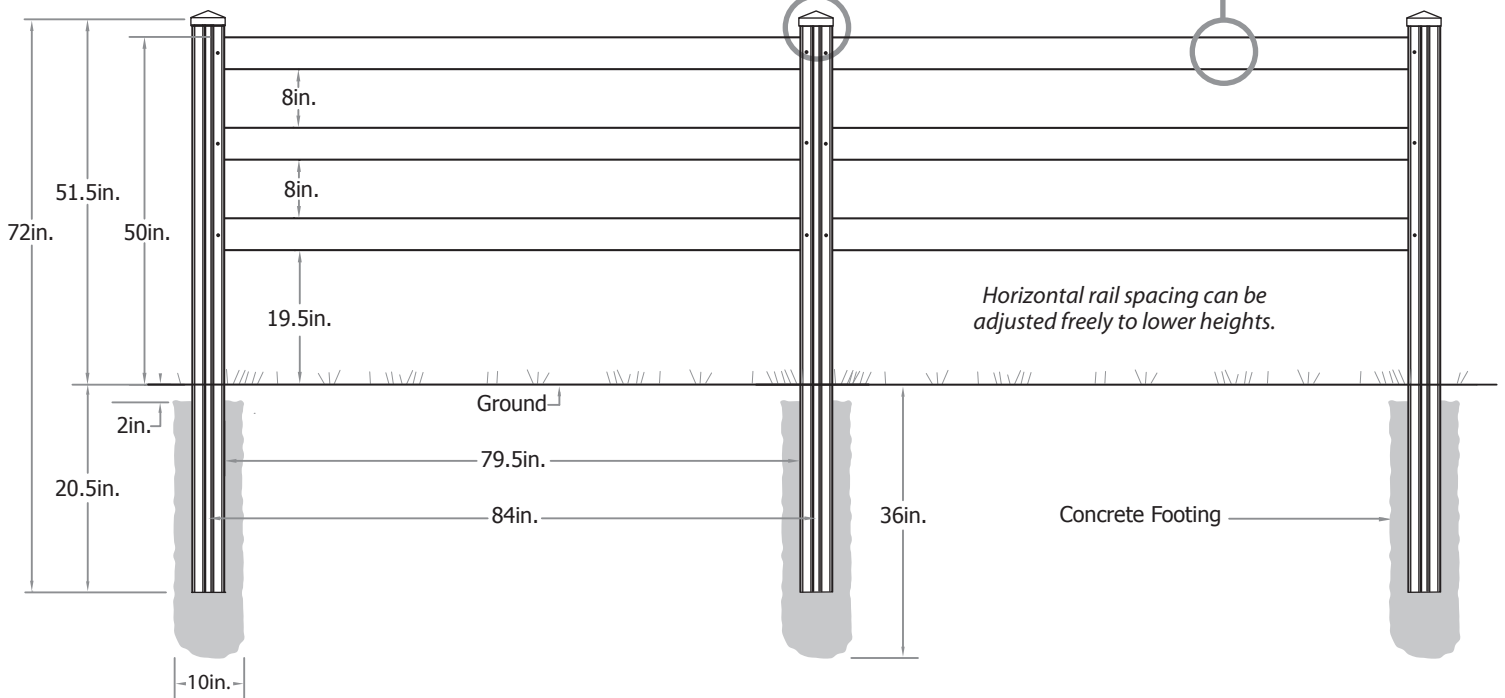
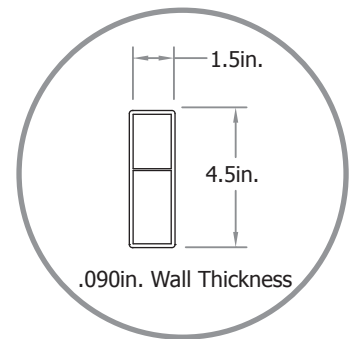
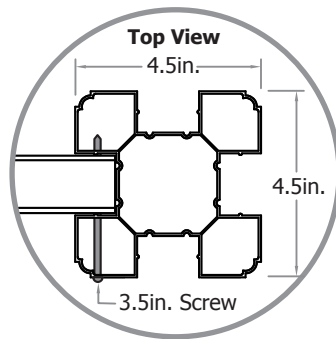
- Post Caps (2)
- Rails (6)
- 3.5in. Stainless Steel Screws (12)
- Posts (2)

**This Post & Cap
Not Included**
(See note below)

PLEASE NOTE:
**YOU WILL NEED TO PURCHASE ONE
EXTRA POST & CAP TO COMPLETE
EACH OF YOUR FENCE RUNS
(Extra posts are sold as 2-packs)**

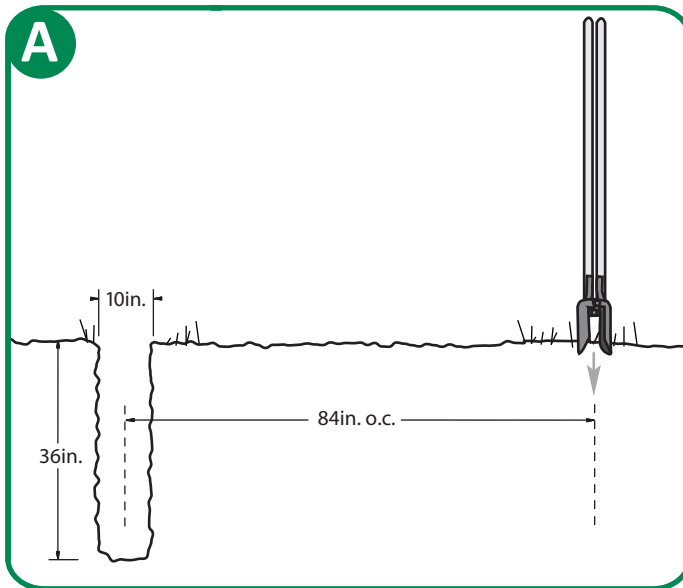
PRODUCT SPECIFICATIONS

This fence can be trimmed down both in width and height to accommodate custom applications.

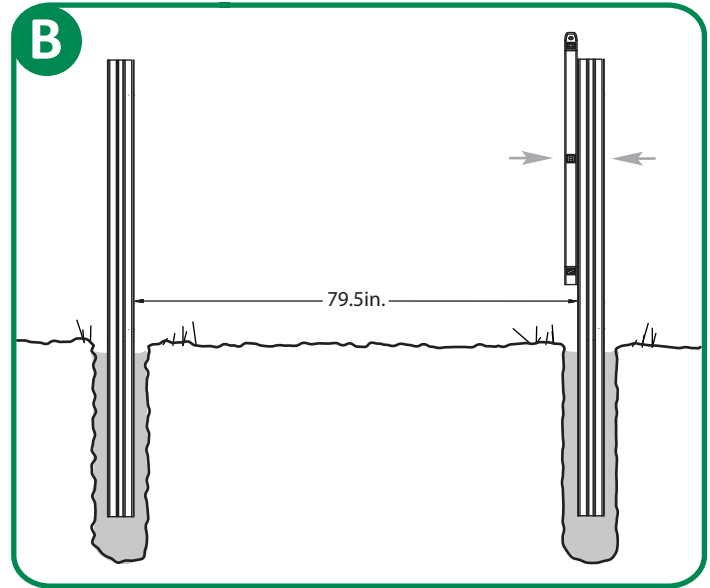


QUICKIE OVERVIEW

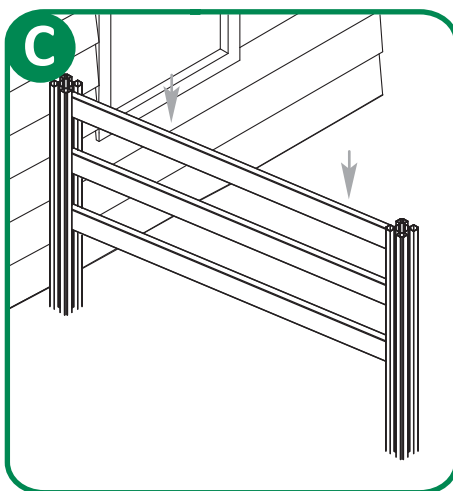
- Prior to construction, check with your regulatory agency for special code requirements in your area.
- Contact your utility supplier to locate and mark underground lines before excavation.
- Sketch out the layout of your fence and calculate the number of panels, gates and posts required (order one extra post & cap to finish each fence run).
- Careful planning & measuring of your fence is essential, as moving posts after the concrete sets is extremely difficult.



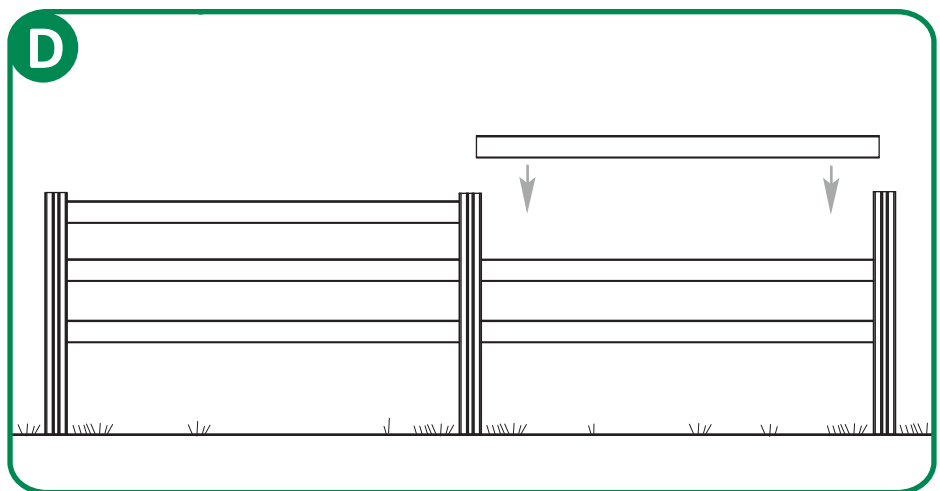
After stringing your fence line, dig your first post hole 10in. diameter x 36in. deep. Dig your second hole 84in. on center to your first hole, and so on. Dig only three or four holes at a time to ensure proper spacing.



- 1 - Add approximately 18in. of concrete to the bottom of the hole.
- 2 - Install posts straight and level.
- 3 - Add more concrete to within 2in. of ground level.



In the first fence section, slide 3 rails down the groove in your posts to the approximate position as illustrated on page 2 (rail spacing is flexible).

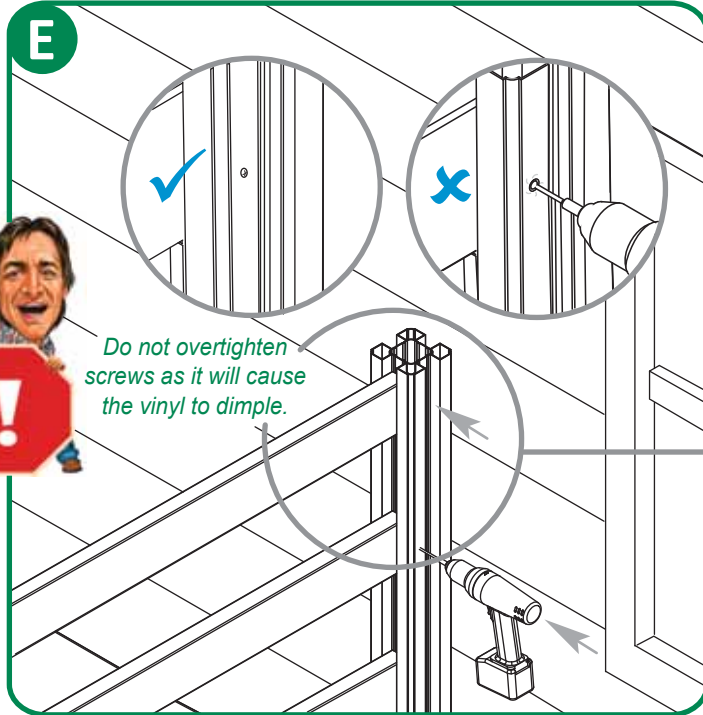


In the second fence section, slide 3 rails down the groove in your posts to the approximate position and repeat with any remaining fence sections.

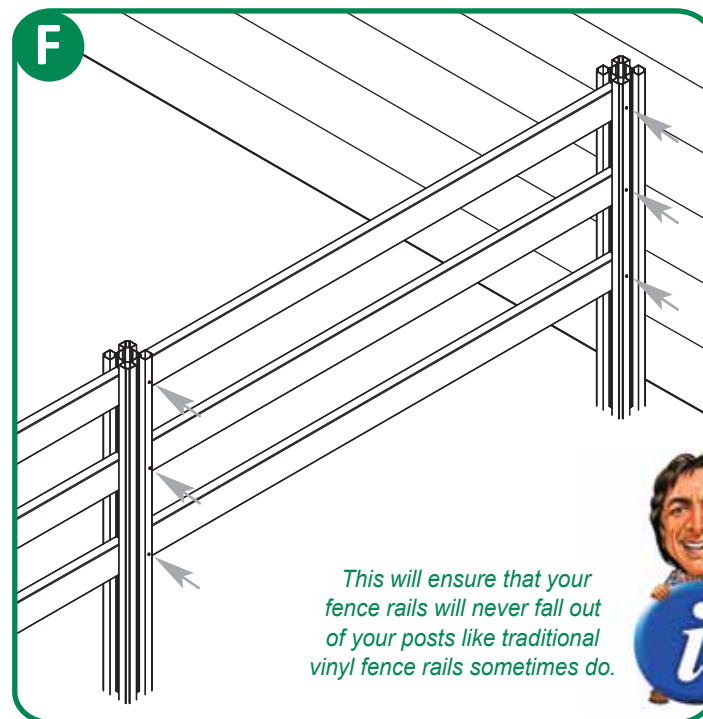
SCREW RAILS TO POSTS

VERY IMPORTANT

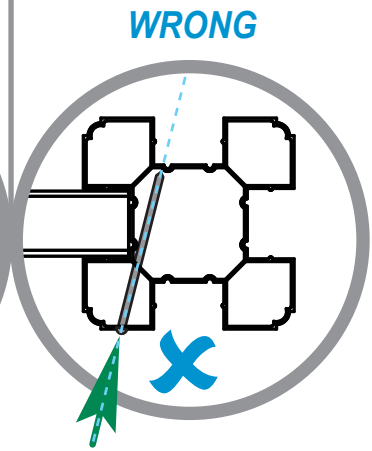
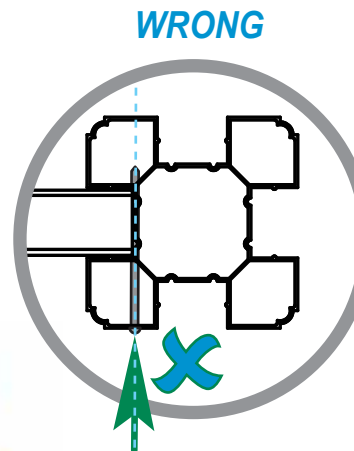
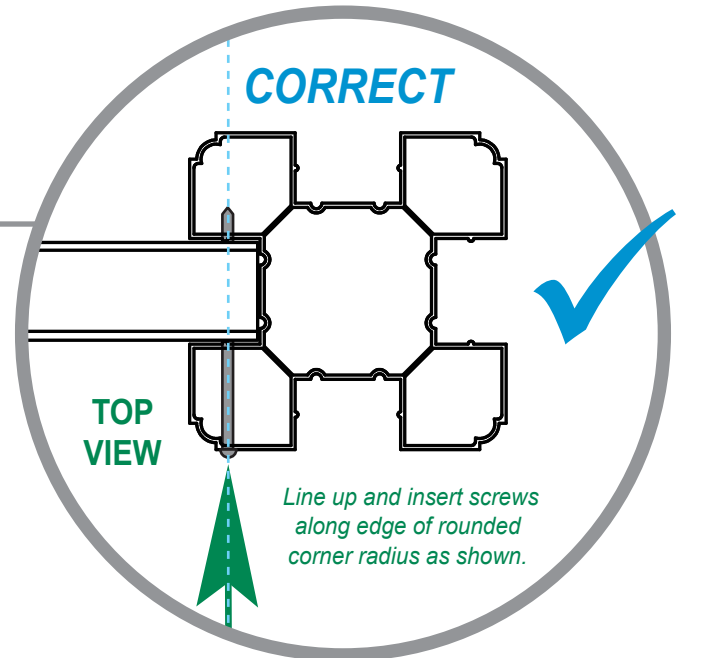
Screws must be inserted straight and into the correct area of the post/rail as indicated.



Fasten a 3.5 inch screw through the posts into the rails.



Repeat in each rail for a total of six per panel.



Screw has not been lined up nor inserted into the post correctly and has missed the rail entirely.

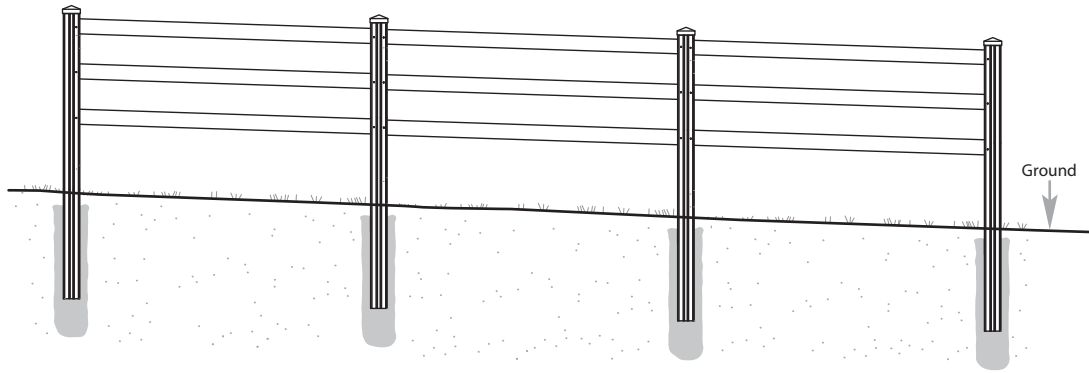
3-Rail Vinyl Ranch Fence (2 Pack)



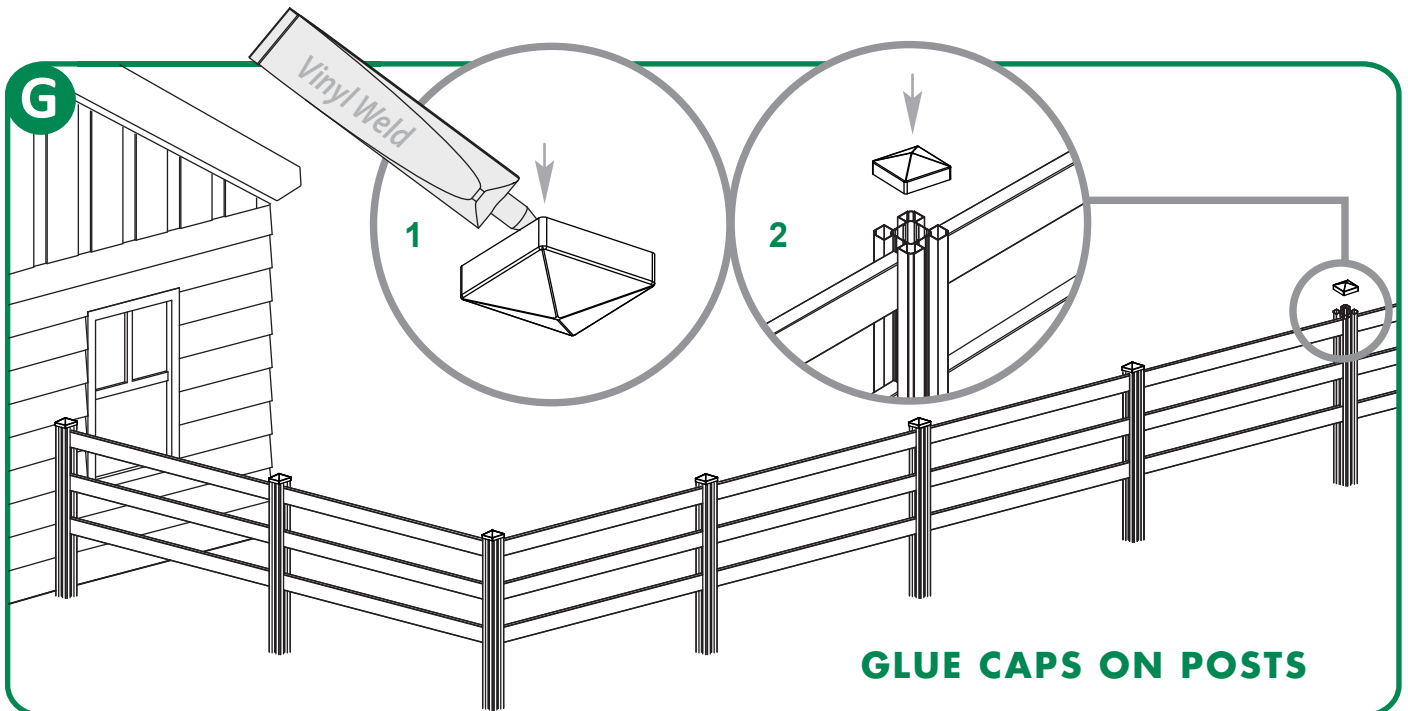
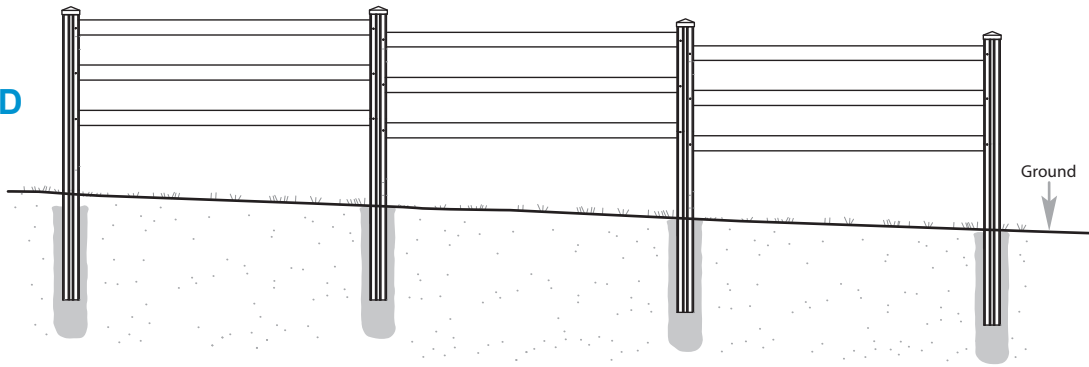
TRADITIONAL

Most yards are relatively level and will allow for a fairly simple installation. If your yard is steeply pitched, or is very uneven, you may need to either slope, or stair-step your panels as illustrated below. Post height can be trimmed down as necessary.

SLOPED



STAIR-STEPPED



GLUE CAPS ON POSTS

- 1 - Put a small bead of vinyl glue or weld (purchased separately at hardware store) along the inside of the cap.
- 2 - Place the glued cap on the vinyl post and allow to set for 5-10 minutes.

For more information, contact us at 1 877-778-5733.