

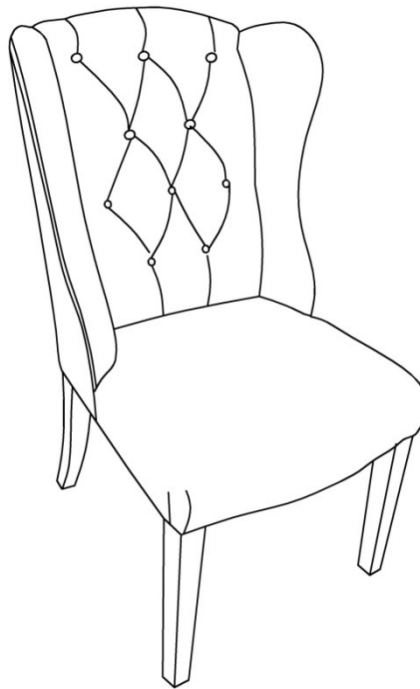
**HOME  
DECORATORS  
COLLECTION**

Model #: 4083 dining chair

Item # : 1004248967  
1004248961  
1004248946

# **USE AND CARE GUIDE**

## **4083 Dining Chair**



**Questions, problems, missing parts?  
Before returning to the store, Customer Service.  
8 a.m. – 7 p.m., EST, Monday – Friday, 9 a.m. – 6 p.m.,  
EST, Saturday**

**1-800-998-7021  
HOMEDEPOT.COM/HOMEDECORATORS**

---

**THANK YOU**

*We appreciate the trust and confidence you have placed in Home Decorators Collection through the purchase of this product. We strive to continually create quality products designed to enhance your home. Visit us online to see our full line of products available for your home improvement needs. Thank you for choosing Home Decorators Collection!*

---

## Safety Information

1. **Make sure to assemble the Chair with two or more adults.**
2. **Suggest read the AI carefully before assembling and follow the steps and details.**
3. **Keep small parts away from the children during assembly.**



**WARNING:** Keep the product on level surface, the product may become unstable and tip if stored or moved on an unlevel surface, which may cause personal injury or product damage.

## Warranty

### **3 YEAR WARRANTY**

#### **WHAT IS COVERED**

Product defects, the defects include circumstances where the frame has broken under normal use and no longer performance its function.

#### **WHAT IS NOT COVERED**

This warranty does not cover commercial use, acts of nature, and abusive use.

# Pre-Assembly

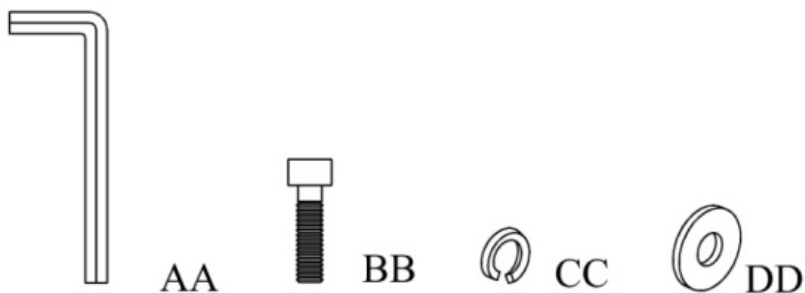
## PLANNING ASSEMBLY

Keep the children and pets away from build area, pay attention to the labels on the parts and don't throw away, otherwise, maybe it will be difficult for you to assemble the product. .

## HARDWARE INCLUDED



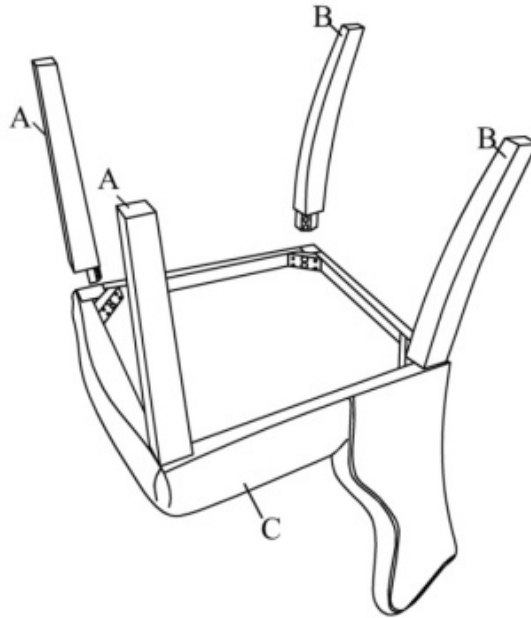
Notes: Part AA, BB, CC and DD are in the red hardware bag.



Part	Description	Quantity
AA	Wrench Ø8*65	1
BB	Bolt 8*60	8
CC	Spring washer	8
DD	Flat washer	8

# Pre-Assembly

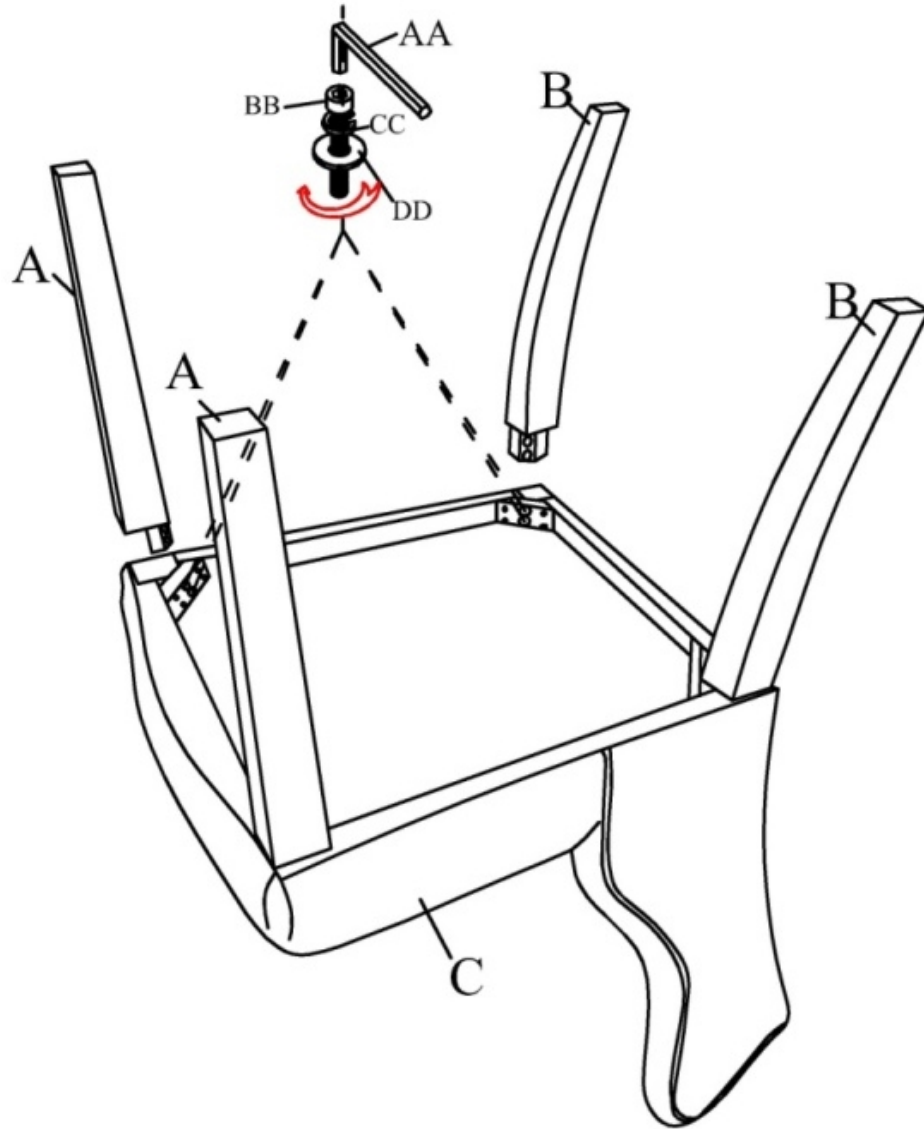
## PACKAGE CONTENTS



Part	Description	Quantity
A	Front leg	2
B	Rear leg	2
C	Seat	1

# Assembly

**Step 1:** Assemble the front legs (A) and the rear legs (B) as the follow photo shows



# Maintenance