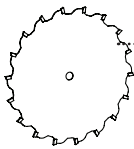
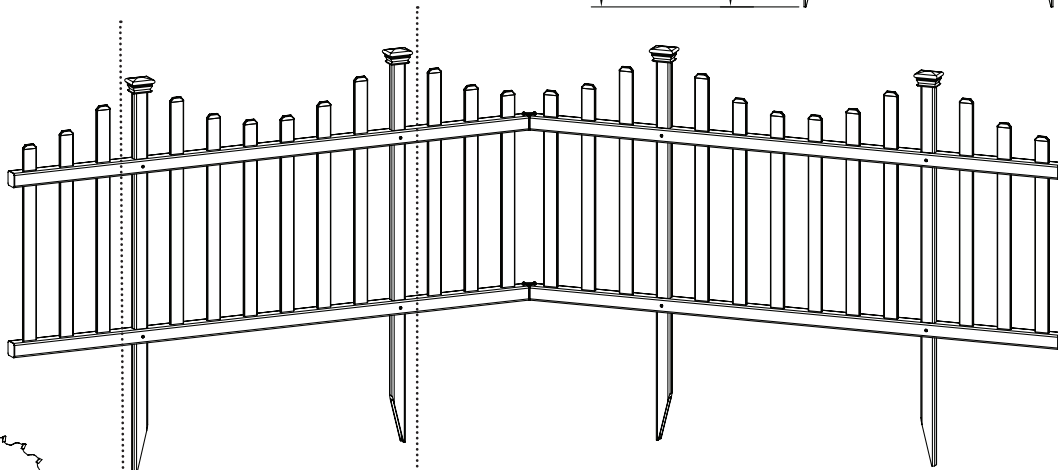
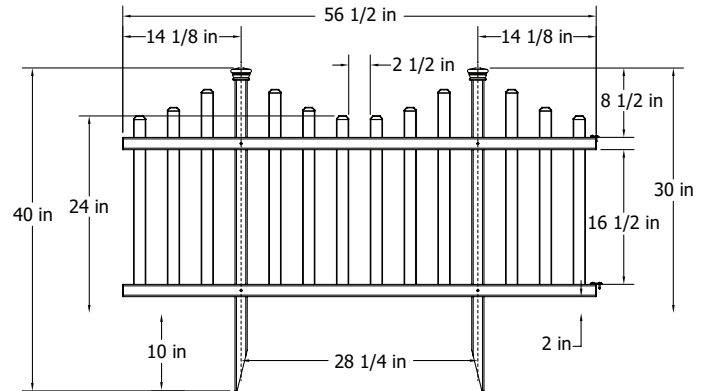




ZIPPITY

Easy Does It!

ASSEMBLY INSTRUCTIONS



This fence can easily be trimmed horizontally to fit your custom space. Use a fine-toothed circular saw or hack saw.

MADISON VINYL PICKET FENCE KIT 2-PACK (30"H X 56½"W)

60 MIN approximate assembly time



6935 Reames Rd. Ste. K. Charlotte, NC 28216



support@zippity-outdoor.com



704-892-5222 / 877-234-6196



zippity-outdoor.com

Want to see a video on how to assemble this product? Scan the code below!



GENERAL INFORMATION



IMPORTANT

- *Please read through before starting assembly.*
- Important: Check the inside of the larger pieces in your box for other materials packed inside.
- When assembling components, place on a non-abrasive surface (i.e. shipping box) to avoid scratching.
- We recommend an area approximately 5'x 8' for unobstructed assembling.
- You should not need to use excessive force when assembling components.

MISSING OR DAMAGED PARTS?

VISIT OUR WEBSITE FIRST, SO WE CAN HELP YOU RIGHT AWAY!

Although great care has been taken to ensure proper packaging and handling of this product, occasionally problems occur. If you discover any missing, damaged or defective parts, please visit our website to order replacement parts. If you experience any further trouble with your product, please contact our customer service department.

WEBSITE: nychgroup.com/parts

EMAIL: support@zippity-outdoor.com

PHONE: 704-892-5222 / 877-234-6196

Customer service agents are available to take calls weekdays from 8am-5pm EST. If you call outside of business hours, please leave a voicemail.

To help you quickly and accurately, please have reference item number ZP19001 and the specific part name which can be found on the next page. It is helpful if you can provide the batch lot which is a stamped number on the end of the box.

NEED ASSEMBLY HELP?

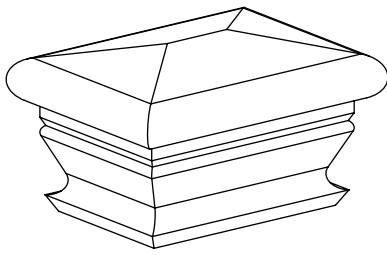
If you are having problems with the assembly or installation of this product, we are happy to assist you with the process, so please give us a call at 704-892-5222 / 877-234-6196.

NEED TO RETURN?

If for some reason you need to return this product, please allow us to help resolve your issues first. If you still decide to return the product, you will need to initiate the return from the company you originally purchased from.

STEP 1: LAY OUT MATERIALS

A



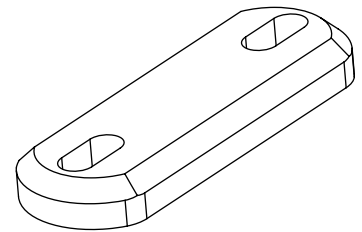
Post Cap (4)

B



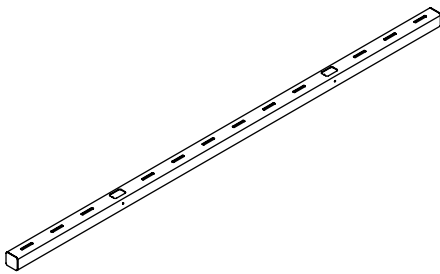
Post (4)
7/8" x 1 1/2" x 39 1/2"

H



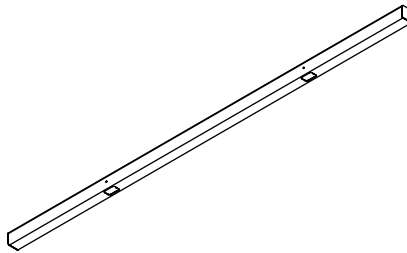
Joiner Clip (4)

C



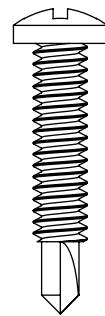
Top Rail (2)
1 1/2" x 1 1/2" x 56 1/2"

D



Bottom Rail (2)
1 1/2" x 1 1/2" x 56 1/2"

I



0.75" Steel Screw
(24)

E



Picket #1 (8)
1/4" x 1 1/4" x 25 1/4"

F



Picket #2 (8)
1/4" x 1 1/4" x 23"

G

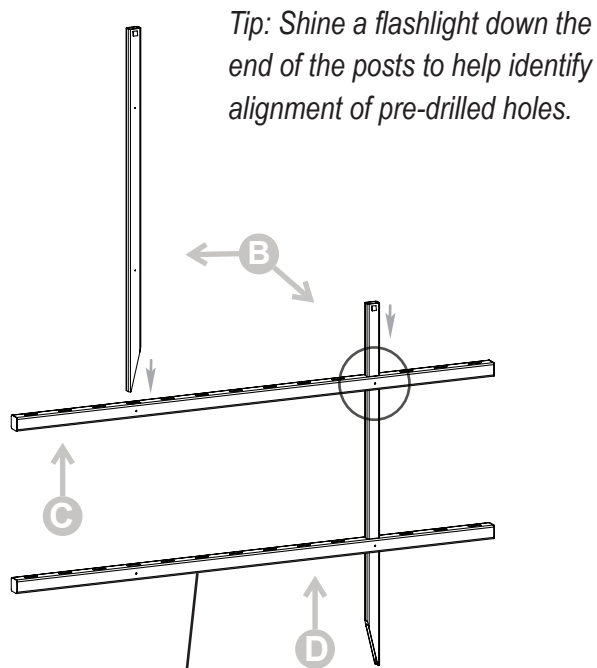


Picket #3 (8)
1/4" x 1 1/4" x 22"

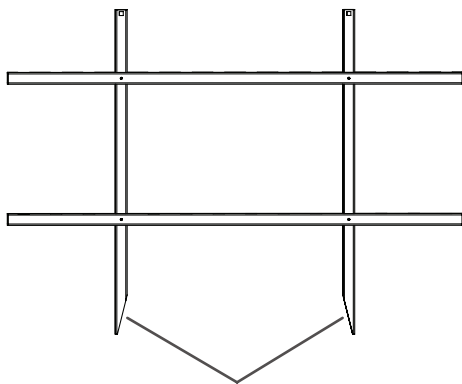
STEP 2: ASSEMBLE FENCE FRAME

STEP 2.1

Position the two rails as illustrated and slide two posts (B) through the large holes in the top (C) and bottom (D) rails until the pre-drilled holes in both rails are aligned with the pre-drilled holes in both posts.



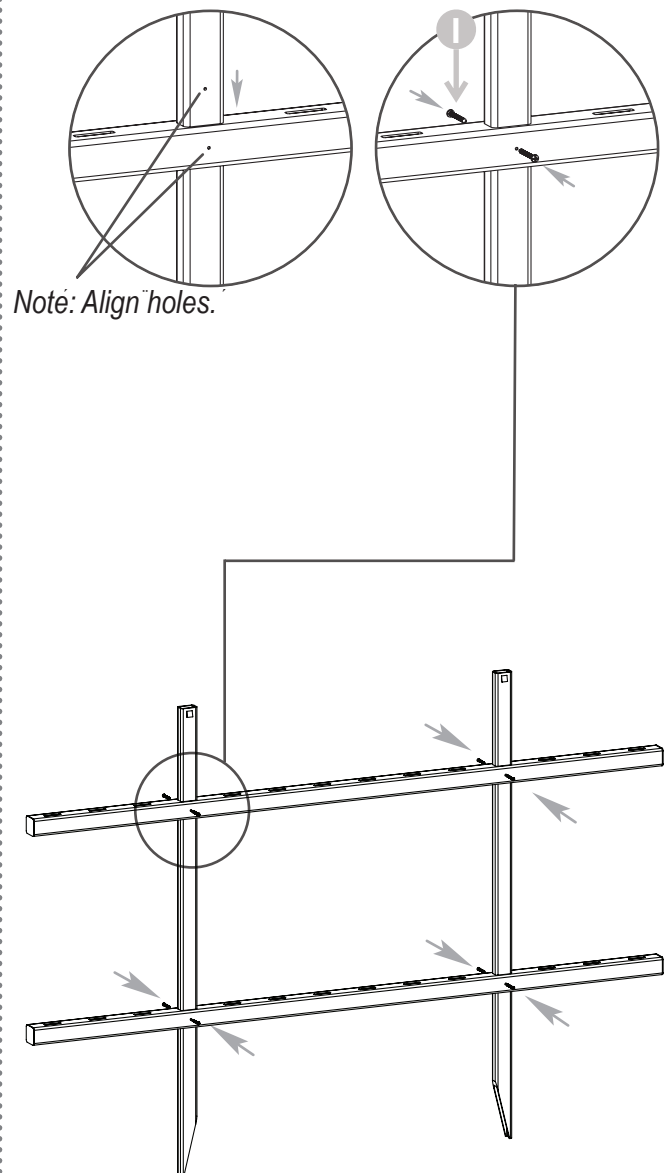
Note: Underside of bottom rail is blank compared to top rail which has holes on both sides.



Note: Orient the bottom of posts as illustrated.

STEP 2.2

Secure the rails to the post with screws (I) on both sides of the rails as illustrated.



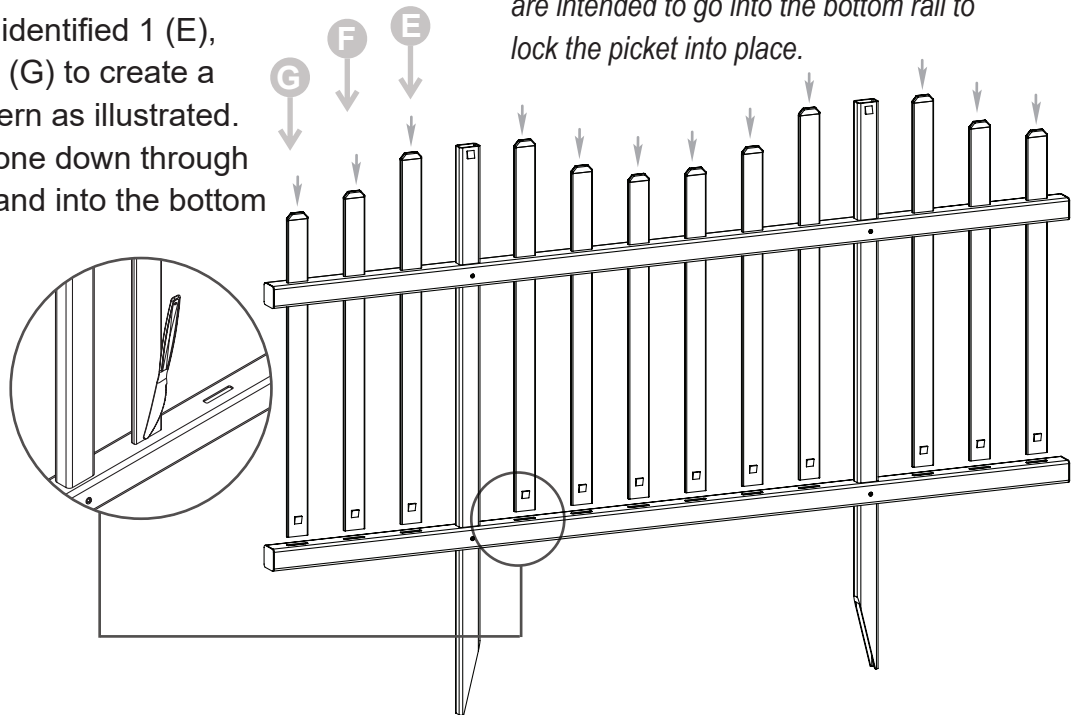
Note: Align holes.

STEP 3: INSTALL PICKETS

STEP 3.1

Pickets are identified 1 (E), 2 (F), and 3 (G) to create a scallop pattern as illustrated. Slide each one down through the top rail and into the bottom rail.

Note: To remove a picket, gently insert a butter knife into the bottom rail as shown, and slowly pull up the picket.

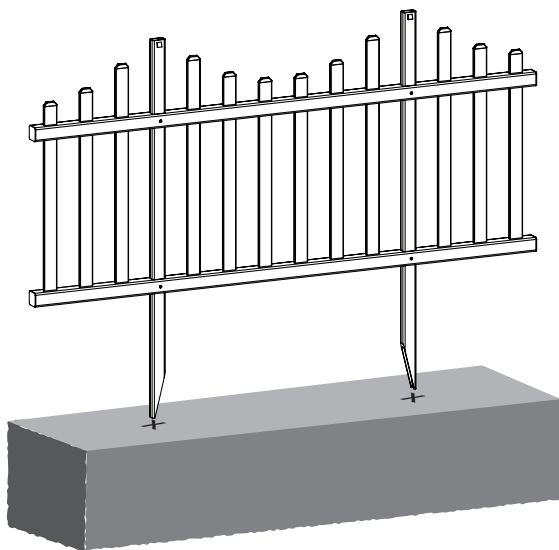


Note: The tabs on the bottom of the pickets are intended to go into the bottom rail to lock the picket into place.

STEP 4: INSTALL FENCE INTO GROUND

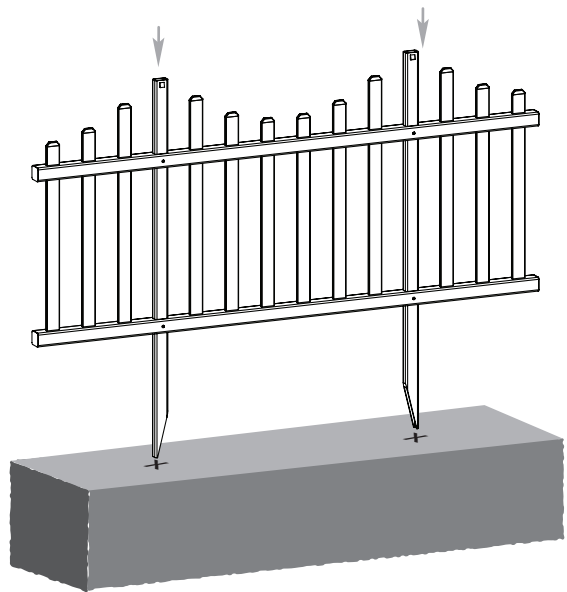
STEP 4.1

Move the fence to its destination, and identify the location of the posts.



STEP 4.2

Attempt to push the product into the ground as illustrated.



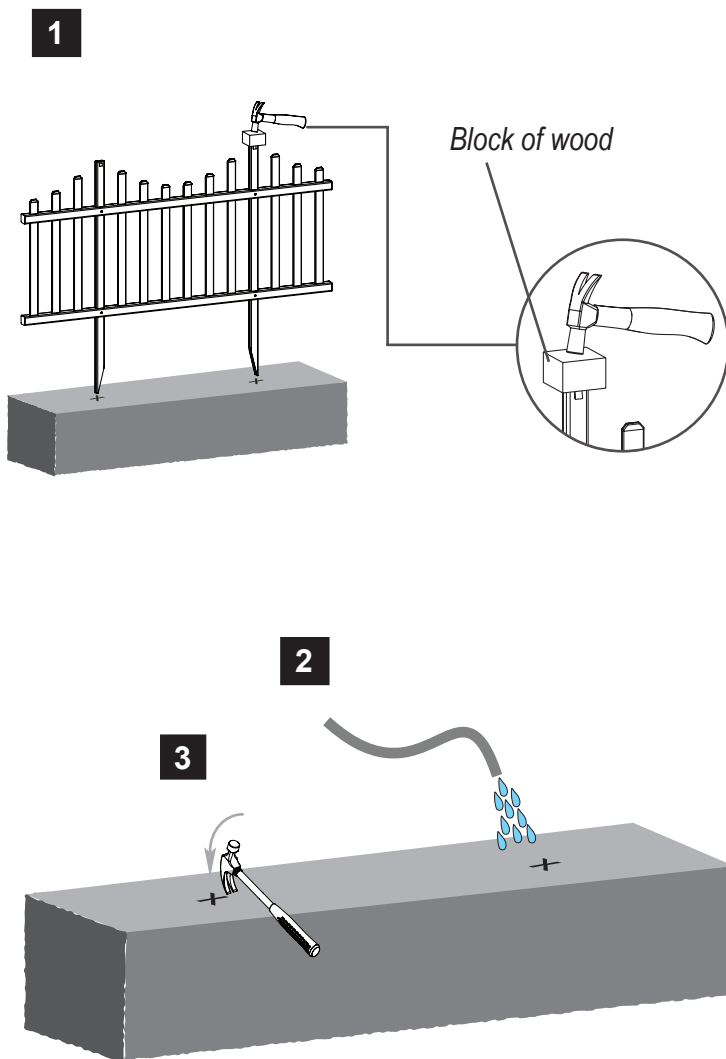
STEP 4.3

Step 4.3 is only to be completed if ground is too hard.

Option 1: (recommended) Use a block of wood to protect the top of the post and gently hammer each post into the ground.

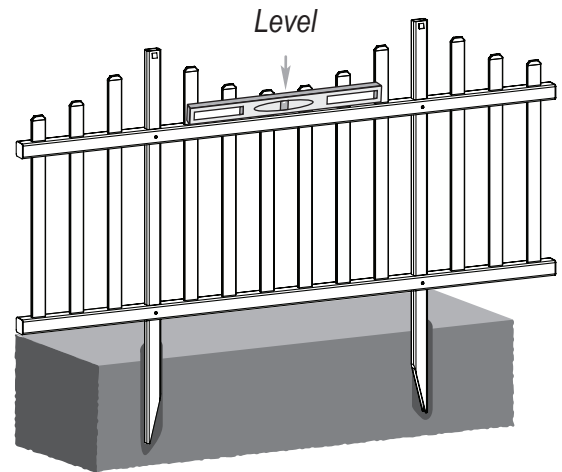
Option 2: Add water to loosen soil.

Option 3: loosen top 4" of the ground with a claw hammer as illustrated.



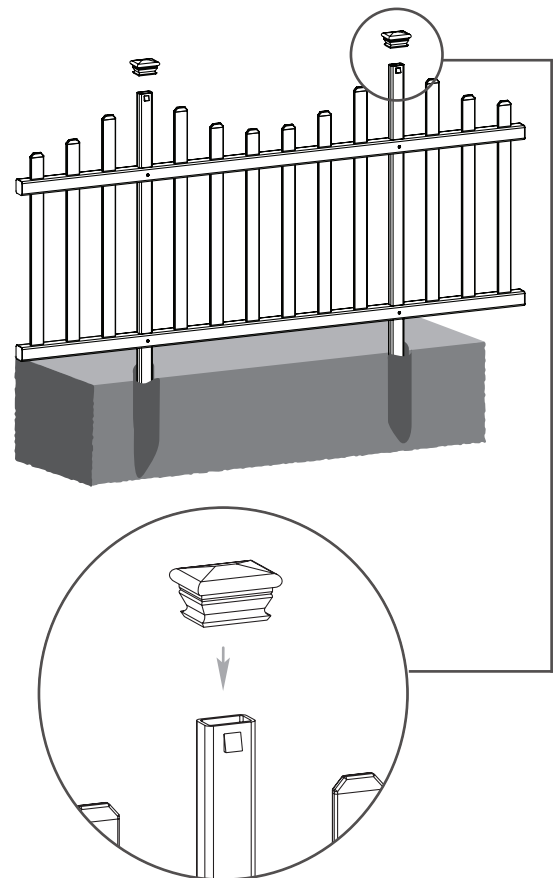
STEP 4.4

Level the assembled unit, and compact dirt around the base of each post.



STEP 4.5

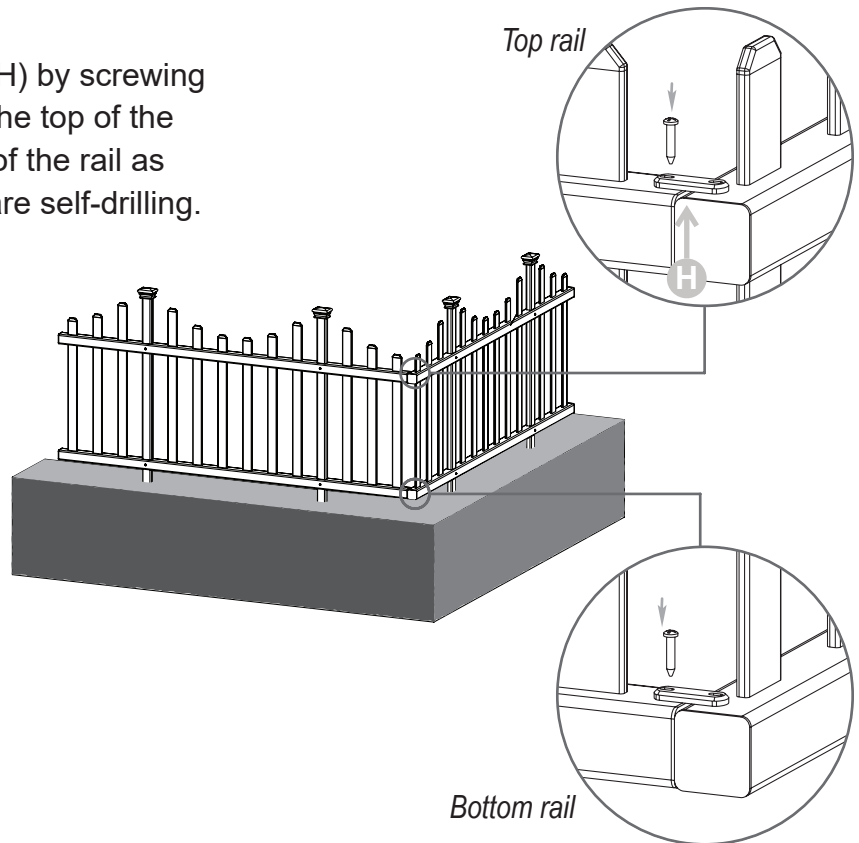
Push the post caps down over the tops of the posts as illustrated. The post caps will lock into place.



STEP 5: FASTEN JOINER CLIPS

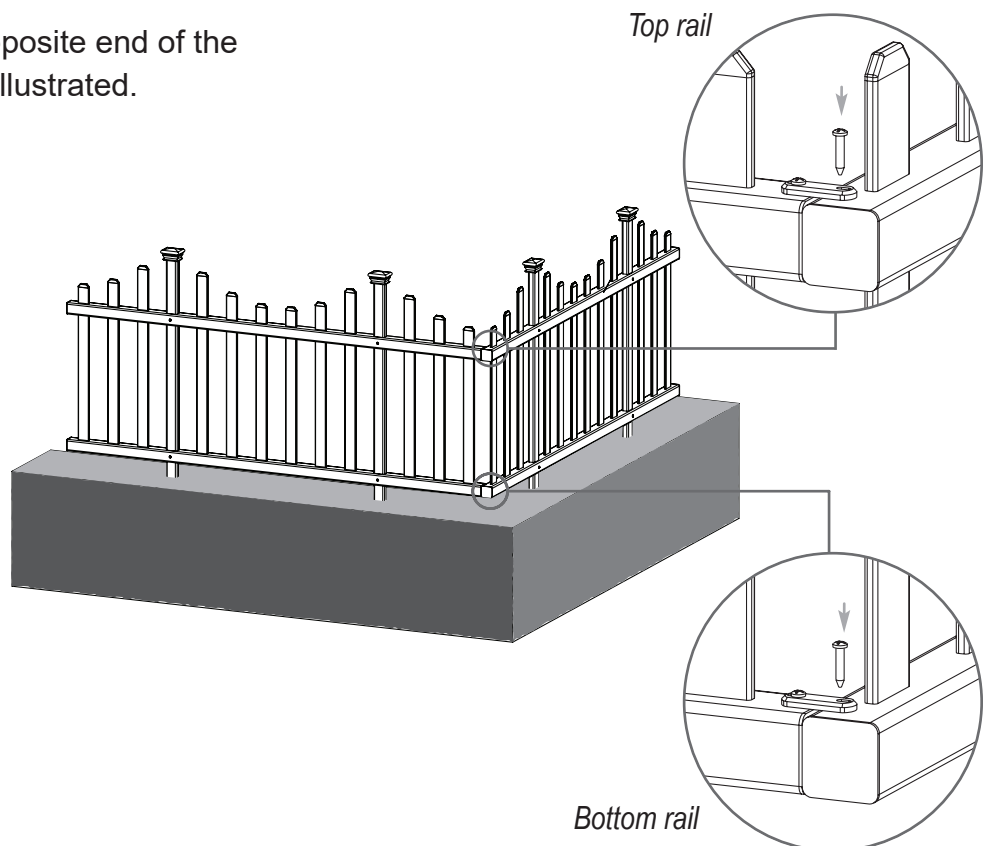
STEP 5.1

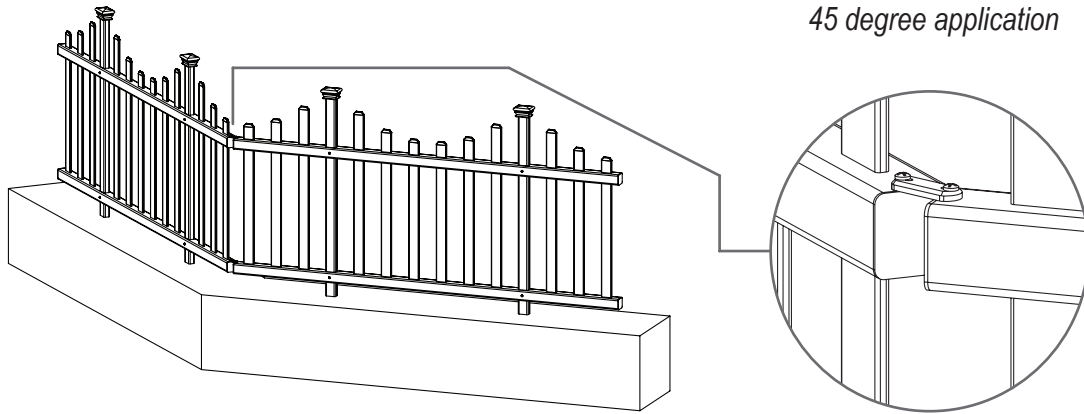
Fasten joiner clips (H) by screwing them into place on the top of the rail and the bottom of the rail as illustrated. Screws are self-drilling.



STEP 5.2

Fasten the opposite end of the joiner clip as illustrated.





6935 Reames Rd. Ste. K. Charlotte, NC 28216



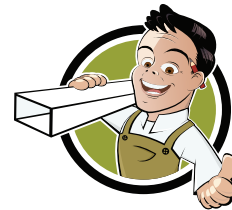
support@zippity-outdoor.com



704-892-5222 / 877-234-6196



zippity-outdoor.com



ZIPPITY
Easy Does It!