



## 3 Solid Door Reach-In Freezer ♦ NP3F



### Standard Features

- ♦ Stainless steel series 430 exterior
- ♦ Stainless steel series 304 interior
- ♦ Stucco aluminum back panel
- ♦ Self closing hinged doors with 90 degree stay open feature
- ♦ Bottom mounted compressor
- ♦ Optional 3-inch legs
- ♦ LED digital temperature display
- ♦ PVC coated adjustable wire shelves
- ♦ Interior lighting
- ♦ Self contained system, simple plug installation
- ♦ Heavy-duty castor wheels

### Technical Specifications

Product Classification	Freezer
Climate Class	N
Number of Doors	3
External Cabinet Material	430 Stainless Steel
Internal Cabinet Material	304 Stainless Steel
Type of Refrigeration Agent	R-290
Type of Temperature Control	Digital
Temperature Range °C	-22°C to -18°C
Temperature Range °F	-8°F to 0°F
Voltage / Frequency	115V / 60Hz
Amp	13.5
Compressor HP	1 HP
Type of Insulation	2.5-Inch Polyurethane Foam
Door Handle	Full Length

### Certified Safety Standard

- ♦ ETL Listed
- ♦ ETL Sanitation Listed



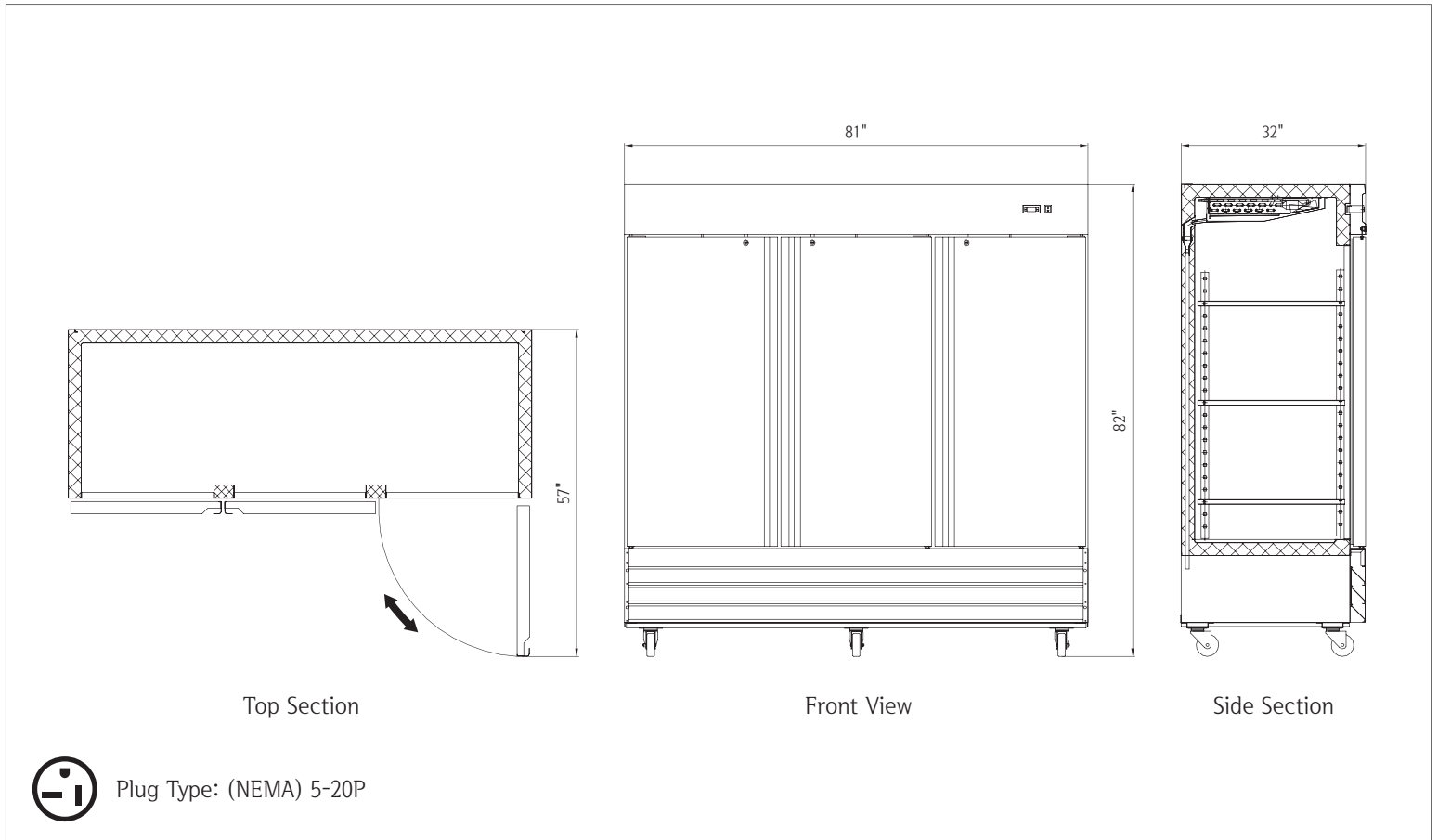
### Warranty Information

- ♦ 5 Years Compressor
- ♦ 3 Year Parts & Labor





## 3 Solid Door Reach-In Freezer ♦ NP3F



### Capacity

Capacity 72 cu. ft.

### Dimensions

Internal Cabinet Width 76 in  
 Internal Cabinet Depth 27 in  
 Internal Cabinet Height 60 in  
 External Width 81 in  
 External Depth 32 in  
 External Height 82 in  
 Shipping Dimensions (W x D x H) 83 x 34 x 84 in

### Weight

Gross Weight 709 lbs.

### Accessories

Cycle Defrosting Yes  
 Frost Free Yes  
 Adjustable Shelves 9  
 Fixed Shelves No  
 Internal Light Yes  
 Internal Light Switch No  
 External Light Switch No  
 Self Closing Door/Lid Yes  
 Door Holder for Loading Yes  
 Door/Lid Lock Yes  
 Reversible (Left) Door Yes  
 Adjustable Feet Optional  
 Adjustable Thermostat Yes