

---

# 30" (76.2 CM) AND 36" (91.4 CM) ELECTRIC DOWNDRAFT COOKTOP INSTALLATION INSTRUCTIONS

---

## INSTRUCTIONS D'INSTALLATION DE LA TABLE DE CUISSON ÉLECTRIQUE AVEC ASPIRATION PAR LE BAS DE 30" (76,2 CM) ET 36" (91,4 CM)

---

### Table of Contents/Table des matières

|  |    |  |    |
|--|----|--|----|
| <b>COOKTOP SAFETY</b> .....            | 2  | <b>SÉCURITÉ DE LA TABLE DE CUISSON</b> ..... | 11 |
| <b>INSTALLATION REQUIREMENTS</b> ..... | 2  | <b>EXIGENCES D'INSTALLATION</b> .....        | 11 |
| Tools and Parts.....                   | 2  | Outils et pièces.....                        | 11 |
| Location Requirements .....            | 3  | Exigences d'emplacement.....                 | 12 |
| Venting Requirements .....             | 4  | Exigences concernant l'évacuation .....      | 13 |
| Venting Methods .....                  | 5  | Méthodes d'évacuation .....                  | 14 |
| Electrical Requirements .....          | 7  | Spécifications électriques .....             | 16 |
| <b>INSTALLATION INSTRUCTIONS</b> ..... | 8  | <b>INSTRUCTIONS D'INSTALLATION</b> .....     | 17 |
| Prepare Cooktop .....                  | 8  | Préparation de la table de cuisson .....     | 17 |
| Install Foam Strip .....               | 9  | Installation de la bande de mousse .....     | 18 |
| Install Cooktop .....                  | 9  | Installation de la table de cuisson.....     | 18 |
| Make Electrical Connection .....       | 9  | Raccordement électrique.....                 | 19 |
| Complete Installation .....            | 10 | Achever l'installation .....                 | 20 |

---

**IMPORTANT:**

Save for local electrical inspector's use.

**IMPORTANT :**

À conserver pour consultation par l'inspecteur local des installations électriques.

# COOKTOP SAFETY

## Your safety and the safety of others are very important.

We have provided many important safety messages in this manual and on your appliance. Always read and obey all safety messages.



This is the safety alert symbol.

This symbol alerts you to potential hazards that can kill or hurt you and others.

All safety messages will follow the safety alert symbol and either the word "DANGER" or "WARNING."

These words mean:

**⚠ DANGER**

**You can be killed or seriously injured if you don't immediately follow instructions.**

**⚠ WARNING**

**You can be killed or seriously injured if you don't follow instructions.**

All safety messages will tell you what the potential hazard is, tell you how to reduce the chance of injury, and tell you what can happen if the instructions are not followed.

## INSTALLATION REQUIREMENTS

### Tools and Parts

Gather the required tools and parts before starting installation. Read and follow the instructions provided with any tools listed here.

#### Tools needed

- Tape measure
- Flat-blade screwdriver
- Phillips head screwdriver
- Drill
- Level
- 6" socket extension
- Marker or pencil
- Pliers
- 1/4" drill bit
- Jigsaw
- Ratchet with 3/8" socket
- 1/4" nut driver

#### Parts supplied

- Vent grille
- Pre-filter
- Plenum
- Plenum screw pack
- Downdraft motor assembly

#### Parts needed

- A UL Listed or CSA Approved strain relief for 7/8" (2.2 cm) knockout.
- A UL Listed or CSA Approved conduit connector for 1/2" (1.3 cm) trade-size metal-clad conduit
- UL Listed wire connectors
- Metal ducting
- Wall cap  
6" (15.2 cm) Round Surface Wall Cap Damper Order Part Number A406  
3 1/4" x 10" (8.3 cm x 25.4 cm) Surface Wall Cap Damper Order Part Number A403  
To order, see the "Assistance or Service" section of the Use and Care Guide.
- Vent clamps

Check local codes. Check existing electrical supply. See the "Electrical Requirements" section.

It is recommended that all electrical connections be made by a licensed, qualified electrical installer.

## Location Requirements

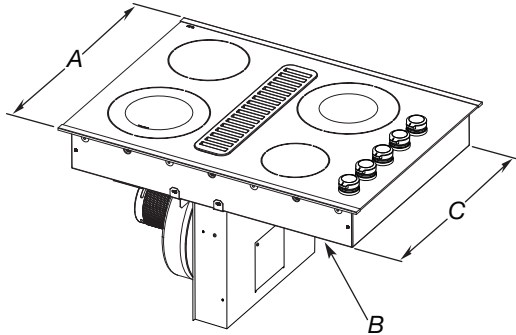
**IMPORTANT:** Observe all governing codes and ordinances. When installing cooktop, use minimum dimensions given.

- Use the countertop opening dimensions that are given with these Installation Instructions. Given dimensions are minimum clearances and provide 0" (0 cm) clearance.
- Grounded electrical supply is required. See the "Electrical Requirements" section.
- If cabinet has drawers, drawers will need to be removed and drawer fronts installed on front of cabinet.

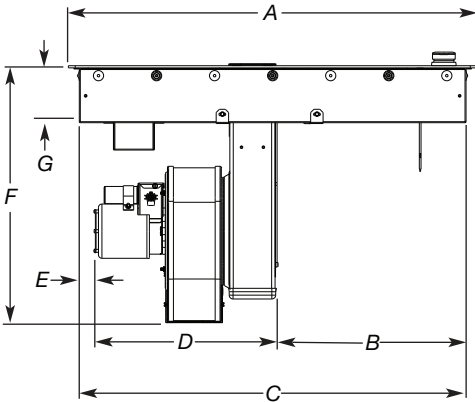
**IMPORTANT:** An undercounter built-in oven cannot be installed under this product.

### Product Dimensions

#### 30" (76.2 cm) Cooktop – for standard and electric models

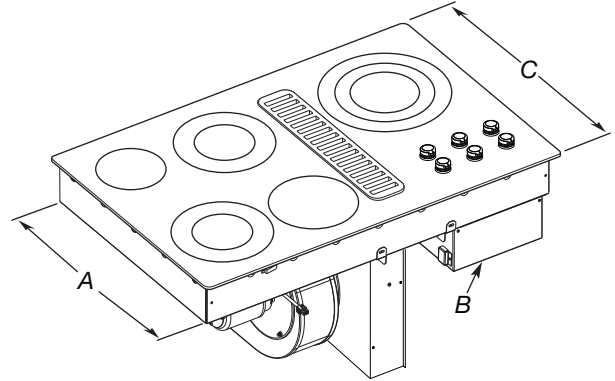


- A. 22<sup>1</sup>/<sub>16</sub>" (56.0 cm) without stainless steel trim or 22<sup>1</sup>/<sub>2</sub>" (57.2 cm) or 23" (58.5 cm) with stainless steel trim (depending on model)
- B. Model/serial/rating/clearance plate location
- C. 20<sup>3</sup>/<sub>4</sub>" (52.7 cm) screw head to screw head

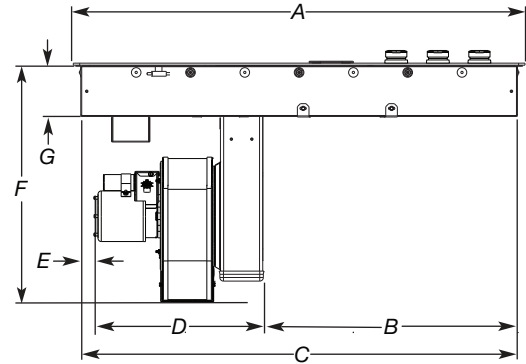


- A. 30<sup>7</sup>/<sub>8</sub>" (78.4 cm)
- B. 12<sup>3</sup>/<sub>16</sub>" (31.0 cm)
- C. 28<sup>13</sup>/<sub>64</sub>" (72.3 cm)
- D. 14<sup>23</sup>/<sub>32</sub>" (37.4 cm)
- E. 2" (5.1 cm) recommended minimum cabinet to motor clearance
- F. 18<sup>23</sup>/<sub>32</sub>" (47.6 cm)
- G. 3<sup>21</sup>/<sub>32</sub>" (9.3 cm)

#### 36" (91.4 cm) Cooktop – for standard and electric models

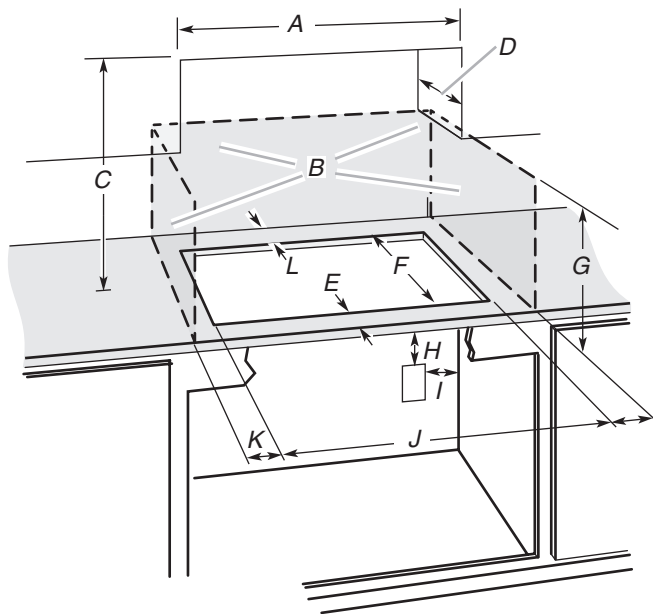


- A. 20<sup>3</sup>/<sub>4</sub>" (52.7 cm) screw head to screw head
- B. Model/serial/rating/clearance plate location
- C. 22<sup>1</sup>/<sub>16</sub>" (56.0 cm) without stainless steel trim or 22<sup>1</sup>/<sub>2</sub>" (57.2 cm) or 23" (58.5 cm) with stainless steel trim (depending on model)



- A. 36<sup>5</sup>/<sub>16</sub>" (92.3 cm)
- B. 11<sup>19</sup>/<sub>32</sub>" (29.4 cm)
- C. 34<sup>11</sup>/<sub>64</sub>" (86.8 cm)
- D. 14<sup>23</sup>/<sub>32</sub>" (37.4 cm)
- E. 2" (5.1 cm) recommended minimum cabinet to motor clearance
- F. 18<sup>23</sup>/<sub>32</sub>" (47.6 cm)
- G. 3<sup>21</sup>/<sub>32</sub>" (9.3 cm)

## Cabinet Dimensions

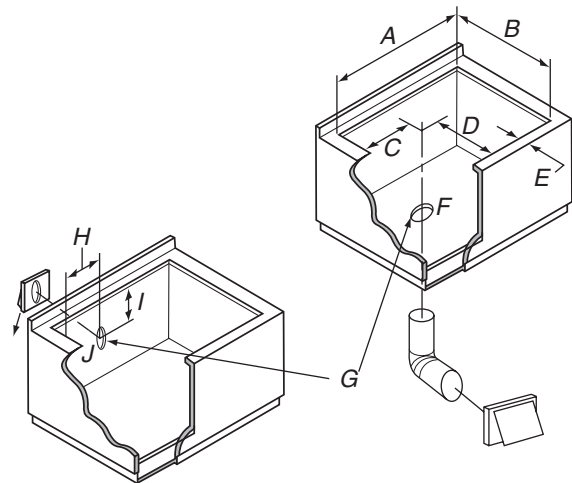


- A. 30" (76.2 cm) on 30" (76.2 cm) models  
36" (91.4 cm) on 36" (91.4 cm) models
- B. Combustibile area above countertop (shown by dashed box above)
- C. 30" (76.2 cm) minimum clearance between top of cooktop platform and bottom of uncovered wood or metal cabinet (24" [61 cm] minimum clearance if bottom of wood or metal cabinet is covered by not less than 1/4" [0.6 cm] flame retardant millboard covered with not less than No. 28 MSG sheet steel, 0.015" [0.04 cm] stainless steel, 0.024" [0.06 cm] aluminum, or 0.020" [0.05 cm] copper)
- D. 13" (33 cm) recommended upper cabinet depth
- E. 2" (5.1 cm)
- F. 21 1/8" (53.7 cm)
- G. 18" (45.7 cm) minimum clearance from upper cabinet to countertop within minimum horizontal clearances to cooktop
- H. Junction box or outlet: 12" (30.5 cm) minimum from bottom of countertop
- I. Junction box or outlet: 10" (25.4 cm) from right-hand side of cabinet
- J. 28 7/8" (73.3 cm) on 30" (76.2 cm) models  
34 9/16" (87.8 cm) on 36" (91.4 cm) models
- K. 2 1/2" (6.4 cm) minimum distance to nearest left and right side combustibile surface above cooktop
- L. 1 1/2" (3.8 cm) minimum clearance between back wall and countertop

**NOTE:** After making the countertop cutout, some installations may require notching down the base cabinet side walls to clear the cooktop base. To avoid this modification, use a base cabinet with sidewalls wider than the cutout.

- A minimum side clearance of 6" (15.2 cm) is recommended between side of cooktop and side wall for maximum ventilation performance.

## Cutout Dimensions



- A. 28 7/8" (73.3 cm) maximum on 30" (76.2 cm) models  
34 9/16" (87.8 cm) maximum on 36" (91.4 cm) models
- B. 21 1/8" (53.7 cm) maximum on both 30" (76.2 cm) and 36" (91.4 cm) models
- C. 8 19/32" (21.8 cm) on 30" (76.2 cm) models  
15 7/16" (39.2 cm) on 36" (91.4 cm) models
- D. 6 19/64" (16.0 cm) on both 30" (76.2 cm) and 36" (91.4 cm) models
- E. 2" (5.1 cm) minimum space to front edge of cooktop
- F. Floor exhaust option
- G. 6 1/8" (15.6 cm) for 6" (15.2 cm) vent system  
5 1/8" (13 cm) for 5" (12.7 cm) vent system
- H. 8 19/32" (21.8 cm) on 30" (76.2 cm) models  
15 7/16" (39.2 cm) on 36" (91.4 cm) models
- I. 16" (40.6 cm) on both 30" (76.2 cm) and 36" (91.4 cm) models
- J. Wall exhaust option

## Venting Requirements

**IMPORTANT:** This cooktop must be exhausted outdoors unless using the Duct-Free Filter Accessory Kit. See the "Venting Methods" section.

- Do not terminate the vent system in an attic or other enclosed area.
- Use a vent cap.
- Vent system must terminate to the outside.
- Use only a 6" (15.2 cm) diameter round or 3 1/4" x 10" (8.3 cm x 25.4 cm) rectangular vent except as follows: For electric cooktops, a 5" (12.7 cm) diameter round vent may be used for venting straight out the back of the cooktop and directly through the wall for 10 ft (3.0 m) or less.
- Before making cutouts, make sure there is proper clearance within the wall or floor for the exhaust vent.
- Do not cut a joist or stud unless absolutely necessary. If a joist or stud must be cut, then a supporting frame must be constructed.
- The size of the vent should be uniform.
- The vent system must have a damper.
- Use vent clamps to seal all joints in the vent system.
- Use caulking to seal exterior wall or roof opening around the cap.
- Determine which venting method is best for your application.

**For Best Performance:**

- Use 26-gauge minimum galvanized or 25-gauge minimum aluminum metal vent. Poor quality pipe fittings can reduce airflow. Flexible metal vent is not recommended.  
**NOTE:** Local codes may require a heavier gauge material.
- Metal duct may be reduced to 30-gauge galvanized steel or 26-gauge aluminized steel if allowed by local codes. This reduction is based on information in the International Residential Codes Section M1601.1 (2006 edition).
- Do not install 2 elbows together.
- Use no more than three 90° elbows.
- If an elbow is used, install it as far away as possible from the vent motor exhaust opening.
- Make sure there is a minimum of 18" (45.7 cm) of straight vent between the elbows if more than one elbow is used.
- Elbows too close together can cause excess turbulence that reduces airflow.
- Do not use a 5" (12.7 cm) elbow in a 6" (15.2 cm) or 3¼" x 10" (8.3 cm x 25.4 cm) system.
- Do not reduce to a 5" (12.7 cm) system after using 6" (15.2 cm) or 3¼" x 10" (8.3 cm x 25.4 cm) fittings.
- Avoid forming handmade crimps. Handmade crimps may restrict airflow.
- Use a vent cap for proper performance. If an alternate wall or roof cap is used, be certain the cap size is not reduced and that it has a backdraft damper.
- Use vent clamps to seal all joints in the vent system.
- Use caulking to seal exterior wall or roof opening around the cap.

The length of vent system and number of elbows should be kept to a minimum to provide efficient performance.

The maximum equivalent length of the vent system is 60 ft (18.3 m). For altitudes above 4,500 ft (1372 m), reduce recommended vent run by 20% for best performance.

**Cold Weather Installations**

An additional backdraft damper should be installed to minimize backward cold air flow.

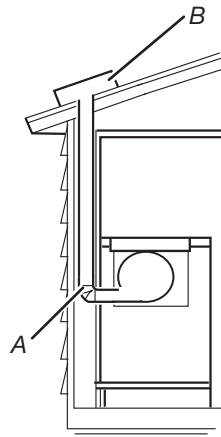
**Makeup Air**

Local building codes may require the use of makeup air systems when using ventilation systems greater than specified CFM of air movement. The specified CFM varies from locale to locale. Consult your HVAC professional for specific requirements in your area.

**Venting Methods**

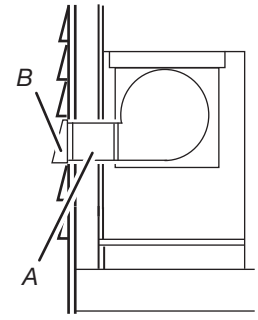
Common venting methods are shown for a counter-mounted downdraft cooktop. The cooktop may be vented through the wall or floor.

**Option 1 - Roof Venting**



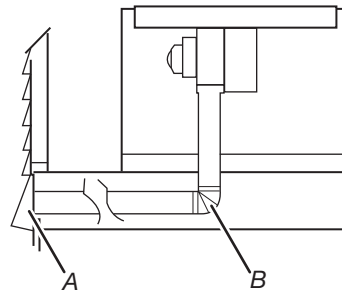
A. 6" (15.2 cm) round roof venting  
B. Roof cap

**Option 2 - Wall Venting**



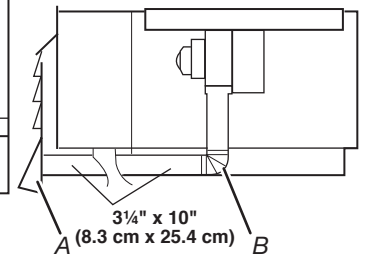
A. 6" (15.2 cm) round wall venting  
B. Wall cap

**Option 3 - Venting Between Floor Joist**



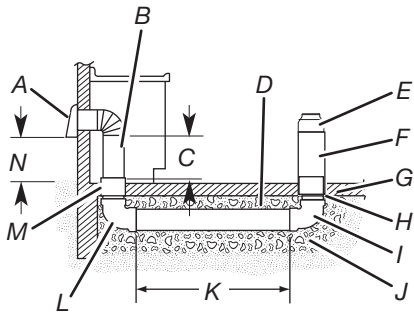
A. Wall cap  
B. 6" (15.2 cm) round wall venting

**Option 4 - Venting Behind Cabinet Kick Plate**



A. Wall cap  
B. 6" (15.2 cm) round wall venting

## Concrete Slab Installations – Exhaust Through Wall



- A. Wall cap
- B. 6" (15.2 cm) round metal vent
- C. 16" (40.6 cm) maximum
- D. 6" (15.2 cm) round PVC sewer pipe
- E. 6" (15.2 cm) round metal duct
- F. 6" (15.2 cm) round PVC coupling
- G. Concrete slab
- H. 6" (15.2 cm) round PVC sewer pipe
- I. 6" (15.2 cm) round 90° PVC sewer pipe elbow
- J. Tightly pack gravel or sand completely around pipe.
- K. 30 ft (9.1 m) max.
- L. 6" (15.2 cm) round 90° PVC sewer pipe elbow
- M. 6" (15.2 cm) round PVC coupling
- N. 12" (30.5 cm) minimum

### Duct-Free Filter Accessory Kit

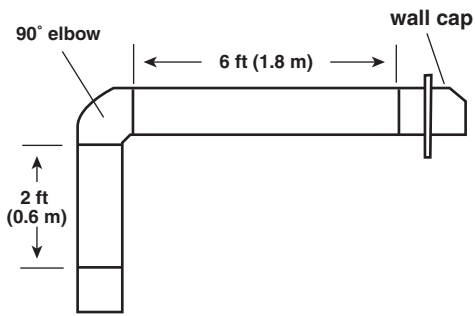
The Duct-Free Filter Accessory Kit Part Number JDA7000WX is now available. Duct-Free Filter Accessory Kit is ideal for both new construction and kitchen renovation projects because it provides an easy alternative to the installation of metal ducting and venting in the downdraft system outside the home. The kit includes all required hardware, one filter and complete installation instructions. Replacement Filter Part Number W10177003 is available.

## Calculating Vent System Length

To calculate the length of the system you need, add the equivalent feet (meters) for each vent piece used in the system.

| Vent Piece   | 6" (15.2 cm) Round |  |
|--|--------------------|--|
| 45° elbow  | 2.5 ft<br>(0.8 m)  |  |
| 90° elbow  | 5.0 ft<br>(1.5 m)  |  |
| 6" (15.2 cm) wall cap  | 0.0 ft<br>(0.0 m)  |  |
| 3 1/4" x 10" (8.3 cm x 25.4 cm) to 6" (15.2 cm) transition           | 4.5 ft<br>(1.4 m)  |  |
| 6" (15.2 cm) to 3 1/4" x 10" (8.3 cm x 25.4 cm) transition           | 1 ft<br>(0.3 m)    |  |
| 3 1/4" x 10" (8.3 cm x 25.4 cm) to 6" (15.2 cm) 90° elbow transition | 5.0 ft<br>(1.5 m)  |  |
| 6" (15.2 cm) to 3 1/4" x 10" (8.3 cm x 25.4 cm) 90° elbow transition | 5.0 ft<br>(1.5 m)  |  |
| 3 1/4" x 10" (8.3 cm x 25.4 cm) 90° elbow                            | 5.0 ft<br>(1.5 m)  |  |
| 3 1/4" x 10" (8.3 cm x 25.4 cm) flat elbow                           | 12.0 ft<br>(3.7 m) |  |
| 3 1/4" x 10" (8.3 cm x 25.4 cm) wall cap                             | 0.0 ft<br>(0.0 m)  |  |

## Example vent system



|                       |                 |
|-----------------------|-----------------|
| 1 - 90° elbow         | = 5 ft (1.5 m)  |
| 8 ft (2.4 m) straight | = 8 ft (2.4 m)  |
| 1 - wall cap          | = 0 ft (0 m)    |
| System length         | = 13 ft (3.9 m) |

**NOTE:** Flexible vent is not recommended. Flexible vent creates back pressure and air turbulence that greatly reduce performance.

## Electrical Requirements

### **⚠ WARNING**



#### **Electrical Shock Hazard**

**Disconnect power before servicing.**

**Use 8 gauge copper wire.**

**Electrically ground cooktop.**

**Failure to follow these instructions can result in death, fire, or electrical shock.**

If codes permit and a separate ground wire is used, it is recommended that a qualified electrical installer determine that the ground path and wire gauge are in accordance with local codes.

Check with a qualified electrical installer if you are not sure the cooktop is properly grounded.

Make sure that the electrical connection and wire size are adequate and in conformance with the National Electrical Code, ANSI/NFPA 70-latest edition or CSA Standards C22.1-94, Canadian Electrical Code, Part 1 and C22.2 No. 0-M91-latest edition, and all local codes and ordinances.

A copy of the above code standards can be obtained from:

National Fire Protection Association  
1 Batterymarch Park  
Quincy, MA 02169-7471

CSA International  
8501 East Pleasant Valley Road  
Cleveland, Ohio 44131-5575

## Before You Make the Electrical Connection:

To properly install your cooktop, you must determine the type of electrical connection you will be using and follow the instructions provided for it here.

- A 4-wire or 3-wire, single-phase, 120-/240-volt, 60 Hz., AC-only electrical supply on a separate, 40-amp circuit breaker is required for both 30" (76.2 cm) and 36" (91.4 cm) models. If a fused system is used, fuse both sides of the line.
  - The cooktop should be connected directly to the junction box through the flexible metal conduit. The flexible, armored cable extending from the fuse box or circuit breaker box should be connected directly to the junction box.
  - Locate the junction box to allow as much slack as possible between the junction box and the cooktop so that the cooktop can be moved if servicing becomes necessary in the future.
  - A UL Listed or CSA Approved conduit connector must be provided at each end of the power supply cable (at the cooktop and at the junction box).
  - If the house has aluminum wiring, follow the procedure below:
    - Connect the aluminum wiring using special connectors and/or tools designed and UL Listed for joining copper to aluminum.
- Follow the electrical connector manufacturer's recommended procedure. Aluminum/copper connection must conform with local codes and industry-accepted wiring practices.

# INSTALLATION INSTRUCTIONS

## Prepare Cooktop

Decide on the final location for the cooktop.

### **WARNING**

#### **Excessive Weight Hazard**

**Use two or more people to move and install cooktop.**

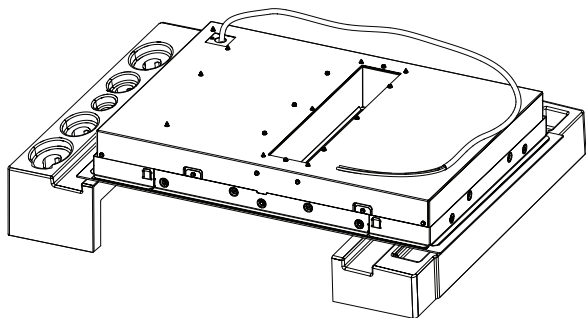
**Failure to do so can result in back or other injury.**

**IMPORTANT:** Do not cut top of product packaging. This may damage the product.

1. Open product as instructed on product packaging.
2. Remove all items from both sides of the foam and set aside. Take out packaging foam and set aside to lay cooktop on.

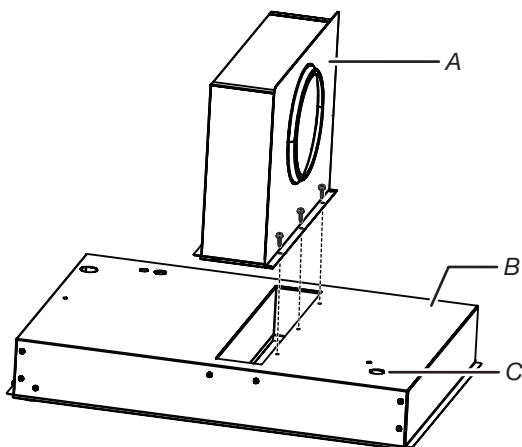
**IMPORTANT:** Do not place packaging foam on knobs.

3. Using 2 or more people, remove cooktop and place the cooktop upside down on the packaging foam, making sure the knobs are not laid on the packaging foam.



4. Remove plenum and plenum screw pack (in the literature bag).
5. Remove downdraft motor assembly.
6. Place plenum on bottom of cooktop with round opening to the motor wire harness.

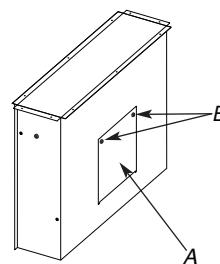
**NOTE:** All holes are pre-drilled. If all 6 holes do not line up, reverse plenum.



A. Plenum  
B. Cooktop  
C. Motor wire harness

7. Using a 1/4" nut driver, screw in the 6 screws from the literature pack to attach plenum.

8. Remove access panel from plenum using a 1/4" nut driver and set aside.

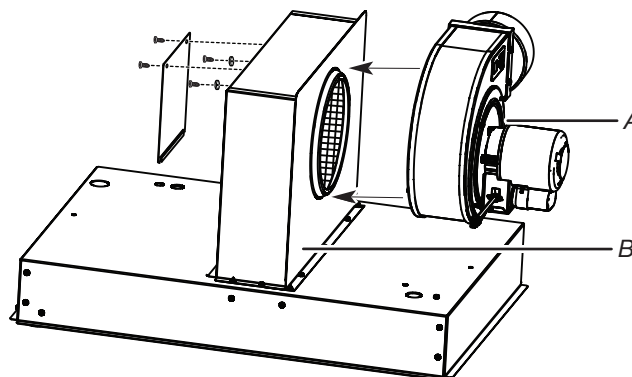


A. Access panel  
B. 2 screws

9. Remove 4 locking nuts and 4 washers from literature bag.

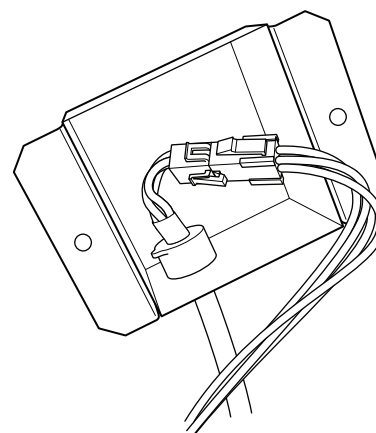
**NOTE:** Remove the 4 protective caps from the motor mounting posts.

10. Place blower motor on plenum and rotate blower outlet to where it matches the ductwork.



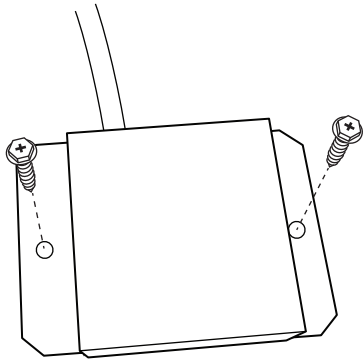
A. Blower motor  
B. Plenum

11. Install and finger-tighten the 4 washers and locking nuts that were removed through the opening of the motor access panel. Do not over-tighten to allow for motor to rotate.
12. Connect blower electrical connector to cooktop.





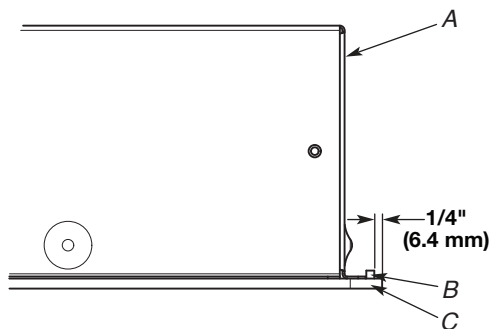
- Using a 1/4" nut driver, screw the electrical junction cover to the burner box with 2 screws.



### Install Foam Strip

- Remove foam strip from the package containing literature.
- Remove backing from foam strip.
- Remove 1 of the 4 foam strips.
- Apply foam strip adhesive-side down around bottom of cooktop, 1/4" (6.4 mm) from edge and cut out excessive material 1/4" (6.4 mm) from edge.

**NOTE:** The foam strip keeps the underside of the cooktop glass free from debris and helps the cooktop sit flat on uneven counters.



A. Cooktop base  
B. Foam strip  
C. Glass

- Repeat steps 3 and 4 for remaining edges.

### Install Cooktop

#### ⚠ WARNING

##### Excessive Weight Hazard

**Use two or more people to move and install cooktop.**  
**Failure to do so can result in back or other injury.**

- Using 2 or more people, lift the cooktop from packaging foam and install the cooktop into the countertop cutout by tilting one end of the cooktop into the cutout, then lowering the other end into the cutout.  
**NOTE:** Make sure that the front edge of the cooktop is parallel to the front edge of the countertop. If repositioning is needed, lift entire cooktop up from cutout to avoid scratching the countertop.
- Rotate motor to align with duct work and attach ducting.
- Fully tighten motor and, using a 1/4" nut driver, reattach motor access cover with 2 screws.  
**IMPORTANT:** Verify that the motor access cover is fully tightened and back on the plenum.

- Using a wood block between the screw and the countertop, moderately tighten the screws to secure the cooktop.  
**IMPORTANT:** Do not tighten screws directly against the countertop.
- Install grease filter.  
**NOTES:**
  - The filter should always be placed at an angle. As you face the front of the cooktop, the top of the filter should rest against the right side of the vent opening.
  - The bottom of the filter should rest against the left side of the vent chamber at the bottom.
  - If the filter is flat against the fan wall, ventilation effectiveness will be reduced.
- Install vent grille.

### Make Electrical Connection

#### ⚠ WARNING



##### Electrical Shock Hazard

**Disconnect power before servicing.**

**Use 8 gauge copper wire.**

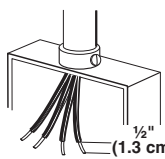
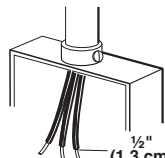
**Electrically ground cooktop.**

**Failure to follow these instructions can result in death, fire, or electrical shock.**

This cooktop is manufactured with the frame connected to the bare ground wire. Connect the cooktop cable to the junction box through the UL Listed or CSA Approved conduit connector.

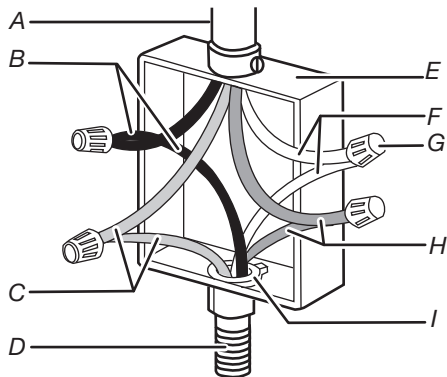
- Disconnect power.
- Remove junction box cover, if present.
- Connect the flexible cable conduit from the cooktop to the junction box using a UL Listed or CSA Approved conduit connector.
- Tighten screws on conduit connector if present.
- See the "Electrical Connection Options" chart to complete installation for your type of electrical connection.

#### Electrical Connection Options

| If your home has:  | And you will be connecting to:            | Go to Section:   |
|--|---|--|
| 4-wire<br> | A fused disconnect or circuit breaker box | 4-Wire Cable from Home Power Supply to 4-Wire Cable from Cooktop             |
| 3-wire<br> | A fused disconnect or circuit breaker box | 3-Wire Cable from Home Power Supply to 4-Wire Cable from Cooktop - U.S. only |

## 4-Wire Cable from Home Power Supply to 4-Wire Cable from Cooktop

**IMPORTANT:** Use the 4-wire cable from home power supply in the U.S. where local codes do not allow grounding through neutral, new branch circuit installations (1996 NEC), mobile homes and recreational vehicles, new construction, and in Canada.

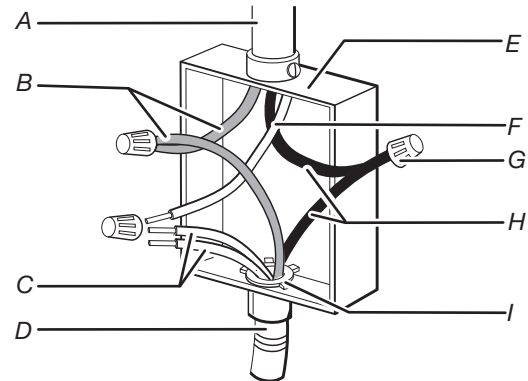


- |                                 |  |
|---------------------------------|--|
| A. Cable from home power supply | F. White wires                                 |
| B. Black wires                  | G. UL Listed wire connector                    |
| C. Bare ground wires            | H. Red wires                                   |
| D. 4-wire cable from cooktop    | I. UL Listed or CSA Approved conduit connector |
| E. Junction box                 |  |

1. Connect the 2 black wires together using the UL Listed wire connectors.
2. Connect the 2 red wires together using the UL Listed wire connectors.
3. Connect the 2 white wires together using the UL Listed wire connectors.
4. Connect the green (or bare) ground wire from the cooktop cable to the green (or bare) ground wire (in the junction box) using the UL Listed wire connectors.
5. Install junction box cover.

## 3-Wire Cable from Home Power Supply to 4-Wire Cable from Cooktop - U.S. only

**IMPORTANT:** Use the 3-wire cable from power supply where local codes permit connecting the frame-ground conductor to the neutral (white) junction box wire.



- |   |  |
|---|--|
| A. Cable from home power supply                       | F. White wire                                  |
| B. Red wires  | G. UL Listed wire connector                    |
| C. White wire and green (or bare) wire (from cooktop) | H. Black wires                                 |
| D. 4-wire cable from cooktop                          | I. UL Listed or CSA Approved conduit connector |
| E. Junction box                                       |  |

1. Connect the 2 black wires together using the UL Listed wire connectors.
2. Connect the 2 red wires together using the UL Listed wire connectors.
3. Connect the green or bare and white cooktop cable wires to the white (neutral) wire in the junction box using the UL Listed wire connectors.
4. Install junction box cover.

## Complete Installation

1. Check that all parts are now installed. If there is an extra part, go back through the steps to see which step was skipped.
2. Check that you have all your tools.
3. Dispose of/recycle all packaging materials.
4. Use a mild solution of liquid household cleaner and warm water to clean cooktop before use. Dry thoroughly with a soft cloth. For more information, see the "Cooktop Care" section of the Use and Care Guide.
5. Read the "Cooktop Use" section in the cooktop Use and Care Guide.
6. Reconnect power.

**NOTE:** If the cooktop does not work after turning on the power, check that a circuit breaker has not tripped or a household fuse has not blown. See the "Troubleshooting" section in the Use and Care Guide for further information.

### If you need Assistance or Service:

Please reference the "Warranty" section of the Use and Care Guide.

# SÉCURITÉ DE LA TABLE DE CUISSON

## Votre sécurité et celle des autres est très importante.

Nous donnons de nombreux messages de sécurité importants dans ce manuel et sur votre appareil ménager. Assurez-vous de toujours lire tous les messages de sécurité et de vous y conformer.



Voici le symbole d'alerte de sécurité.

Ce symbole d'alerte de sécurité vous signale les dangers potentiels de décès et de blessures graves à vous et à d'autres.

Tous les messages de sécurité suivront le symbole d'alerte de sécurité et le mot "DANGER" ou "AVERTISSEMENT". Ces mots signifient :

**⚠ DANGER**

**Risque possible de décès ou de blessure grave si vous ne suivez pas immédiatement les instructions.**

**⚠ AVERTISSEMENT**

**Risque possible de décès ou de blessure grave si vous ne suivez pas les instructions.**

Tous les messages de sécurité vous diront quel est le danger potentiel et vous disent comment réduire le risque de blessure et ce qui peut se produire en cas de non-respect des instructions.

## EXIGENCES D'INSTALLATION

### Outils et pièces

Rassembler les outils et pièces nécessaires avant d'entreprendre l'installation. Lire et suivre les instructions fournies avec chacun des outils de la liste ci-dessous.

#### Outils nécessaires

- Mètre-ruban
- Tournevis à lame plate
- Tournevis cruciforme
- Perceuse
- Niveau
- Rallonge pour clé à douille de 6"
- Marqueur ou crayon
- Pince
- Foret de 1/4"
- Scie sauteuse
- Clé à cliquet avec douille de 3/8"
- Tourne-écrou de 1/4"

#### Pièces fournies

- Grille de ventilation
- Pré-filtre
- Chambre de distribution
- Paquet de vis pour chambre de distribution
- Moteur d'aspiration

#### Pièces nécessaires

- Un collier de serrage (homologation UL ou CSA) pour opercule arrachable de 7/8" (2,2 cm).
  - Un connecteur de conduit (homologation UL ou CSA) pour conduit à armature métallique de diamètre standard 1/2" (1,3 cm)
  - Connecteurs de fils (homologation UL)
  - Conduit métallique
  - Bouche de décharge murale  
Clapet de bouche de décharge murale à surface arrondie de 6" (15,2 cm)  
Commander la pièce numéro A406  
Clapet de bouche de décharge murale à surface arrondie de 3 1/4" x 10" (8,3 cm x 25,4 cm)  
Commander la pièce numéro A403  
Pour commander, voir la section "Assistance ou service" du Guide d'utilisation et d'entretien.
  - Brides de conduit
- Consulter les codes locaux. Vérifier l'alimentation électrique existante. Voir la section "Spécifications électriques".  
Il est recommandé de faire réaliser tous les raccordements électriques par un électricien qualifié agréé.

## Exigences d'emplacement

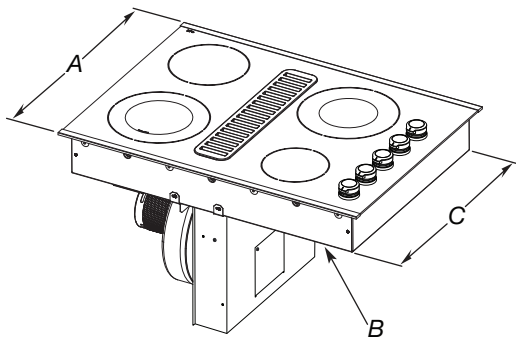
**IMPORTANT :** Observer les dispositions de tous les codes et règlements en vigueur. Lors de l'installation de la table de cuisson, utiliser les dimensions minimales indiquées.

- Utiliser les dimensions d'ouverture du plan de travail qui sont indiquées dans ces Instructions d'installation. Les dimensions données sont les espacements minimaux et fournissent un dégagement de 0" (0 cm).
- Une source d'électricité avec liaison à la terre est nécessaire. Voir la section "Spécifications électriques".
- Si le placard comporte des tiroirs, ces tiroirs doivent être retirés et les façades des tiroirs installées sur l'avant du placard.

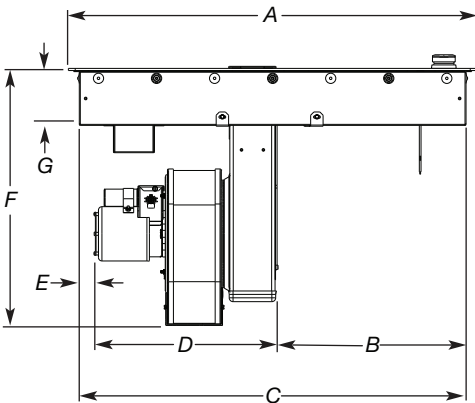
**IMPORTANT :** Il n'est pas possible d'installer un four encastré sous plan de travail sous ce produit.

### Dimensions du produit

#### Table de cuisson de 30" (76,2 cm) – Pour les modèles standard et électriques

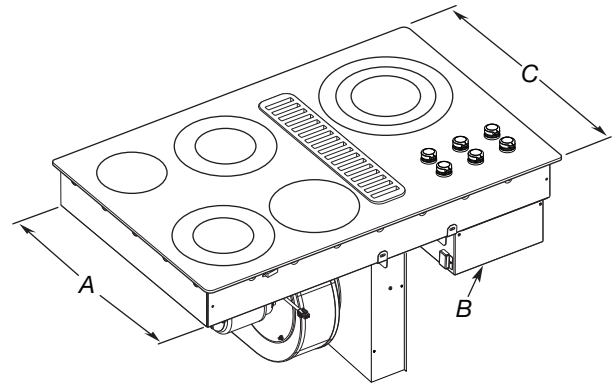


- A.  $22\frac{1}{16}$ " (56,0 cm) sans garniture en acier inoxydable ou  $22\frac{1}{2}$ " (57,2 cm) ou 23" (58,5 cm) avec garniture en acier inoxydable
- B. Emplacement de la plaque signalétique indiquant modèle, n° de série, valeurs nominales et dégagements
- C.  $20\frac{3}{4}$ " (52,7 cm) d'une tête de vis à l'autre

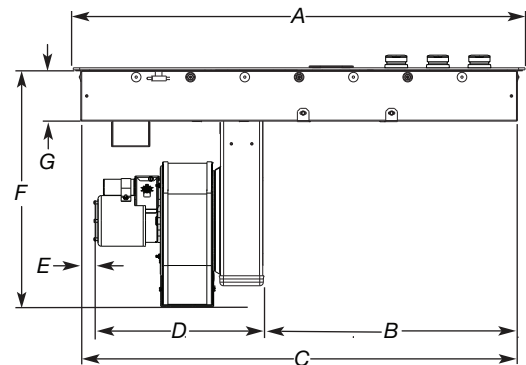


- A.  $30\frac{7}{8}$ " (78,4 cm)
- B.  $12\frac{3}{16}$ " (31,0 cm)
- C.  $28\frac{13}{64}$ " (72,3 cm)
- D.  $14\frac{23}{32}$ " (37,4 cm)
- E. Dégagement minimal de 2" (5,1 cm) recommandé entre la caisse et le moteur
- F.  $18\frac{23}{32}$ " (47,6 cm)
- G.  $3\frac{21}{32}$ " (9,3 cm)

#### Table de cuisson de 36" (91,4 cm) – Pour les modèles standard et électriques

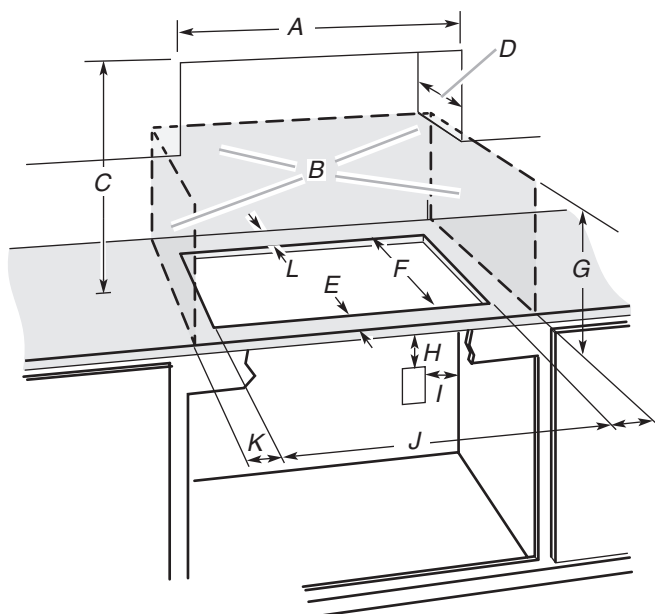


- A.  $20\frac{3}{4}$ " (52,7 cm) d'une tête de vis à l'autre
- B. Emplacement de la plaque signalétique indiquant modèle, n° de série, valeurs nominales et dégagements
- C.  $22\frac{1}{16}$ " (56,0 cm) sans garniture en acier inoxydable ou  $22\frac{1}{2}$ " (57,2 cm) ou 23" (58,5 cm) avec garniture en acier inoxydable



- A.  $36\frac{5}{16}$ " (92,3 cm)
- B.  $11\frac{19}{32}$ " (29,43 cm)
- C.  $34\frac{11}{64}$ " (86,8 cm)
- D.  $14\frac{23}{32}$ " (37,4 cm)
- E. Dégagement minimal de 2" (5,1 cm) recommandé entre la caisse et le moteur
- F.  $18\frac{23}{32}$ " (47,6 cm)
- G.  $3\frac{21}{32}$ " (9,3 cm)

## Dimensions du placard

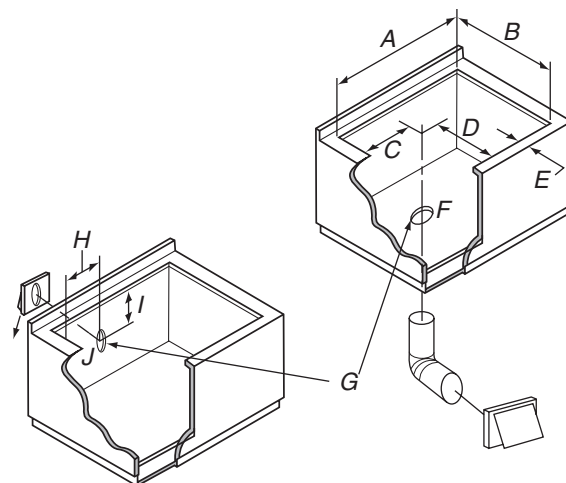


- A. 30" (76,2 cm) sur les modèles de 30" (76,2 cm)  
36" (91,4 cm) sur les modèles de 36" (91,4 cm)
- B. Zone de matière combustible au-dessus du plan de travail (espace délimité par des lignes pointillées ci-dessus)
- C. Distance minimale de séparation de 30" (76,2 cm) entre le dessus de la table de cuisson et le fond d'un placard métallique ou de bois non couvert (distance de séparation de 24" [61 cm] ou plus si le fond du placard de métal ou de bois est recouvert d'une plaque d'au moins 1/4" [0,6 cm] de matériau résistant aux flammes, lui-même recouvert d'une feuille métallique d'une épaisseur correspondant à un calibre de 28 au moins pour l'acier, 0,015" [0,04 cm] pour l'acier inoxydable, 0,024" [0,06 cm] pour l'aluminium ou 0,020" [0,05 cm] pour le cuivre)
- D. Profondeur recommandée pour les placards supérieurs : 13" (33 cm)
- E. 2" (5,1 cm)
- F. 21 1/8" (53,7 cm)
- G. Distance de séparation minimale de 18" (45,7 cm) entre le placard supérieur et le plan de travail avec distance minimale de séparation horizontale pour la table de cuisson
- H. Boîtier de connexion ou prise électrique : 12" (30,5 cm) ou plus depuis le bas du plan de travail
- I. Boîtier de connexion ou prise électrique : 10" (25,4 cm) depuis le côté droit du placard
- J. 28 7/8" (73,3 cm) sur les modèles 30" (76,2 cm)  
34 9/16" (87,8 cm) sur les modèles 36" (91,4 cm)
- K. Distance de séparation minimale de 2 1/2" (6,4 cm) par rapport à la surface de matériau combustible la plus proche, à gauche ou à droite au-dessus de la table de cuisson
- L. Distance de séparation minimale de 1 1/2" (3,8 cm) ou plus entre la paroi arrière et le plan de travail

**REMARQUE :** Après le découpage de l'ouverture dans le plan de travail, il est possible que pour certaines configurations d'installation, il soit nécessaire d'entailler les parois latérales du placard inférieur pour permettre le passage de la base de la table de cuisson. Pour éviter cette modification, utiliser un placard inférieur dont la largeur des parois latérales est supérieure à celle de l'ouverture découpée.

- Un dégagement minimum de 6" (15,2 cm) entre le côté de la table de cuisson et la paroi latérale est recommandé pour une performance maximale de ventilation.

## Dimensions de l'ouverture à découper



- A. 28 7/8" (73,3 cm) maximum sur les modèles de 30" (76,2 cm)  
34 9/16" (87,8 cm) maximum sur les modèles de 36" (91,4 cm)
- B. 21 1/8" (53,7 cm) maximum sur les modèles de 30" (76,2 cm)  
et de 36" (91,4 cm)
- C. 8 19/32" (21,8 cm) sur les modèles de 30" (76,2 cm)  
15 7/16" (39,2 cm) sur les modèles de 36" (91,4 cm)
- D. 6 9/64" (16,0 cm) sur les modèles de 30" (76,2 cm) et 36" (91,4 cm)
- E. Dégagement minimal de 2" (5,1 cm) jusqu'au rebord avant de la table de cuisson
- F. Option d'évacuation par le plancher
- G. 6 1/8" (15,6 cm) pour un système d'évacuation de 6" (15,2 cm)  
5 1/8" (13 cm) pour un système d'évacuation de 5" (12,7 cm)
- H. 8 19/32" (21,8 cm) sur les modèles de 30" (76,2 cm)  
15 7/16" (39,2 cm) sur les modèles de 36" (91,4 cm)
- I. 16" (40,6 cm) sur les modèles de 30" (76,2 cm) et de 36" (91,4 cm)
- J. Option d'évacuation par le mur

## Exigences concernant l'évacuation

**IMPORTANT :** L'évacuation de cette table de cuisson doit se faire à l'extérieur à moins d'utiliser la trousse accessoire de filtration sans conduit. Voir la section "Méthodes d'évacuation".

- Ne pas terminer le circuit d'évacuation dans un grenier ou dans un autre espace fermé.
- Utiliser un clapet de conduit.
- Le système doit décharger l'air à l'extérieur.
- Utiliser uniquement du conduit de 6" (15,2 cm) de diamètre ou un conduit d'évacuation rectangulaire de 3 1/4" x 10" (8,3 cm x 25,4 cm), sauf dans les cas suivants : avec une cuisinière électrique, un conduit métallique rond de 5" (12,7 cm) peut être utilisé pour une évacuation directement depuis l'arrière de la cuisinière à travers le mur sur une longueur de 10 pi (3,0 m) au maximum.
- Avant d'effectuer des coupes, s'assurer qu'il y a un dégagement convenable entre le mur ou le plancher pour le conduit d'évacuation.
- On ne doit couper un poteau de colombage ou une solive que si c'est absolument nécessaire. Dans ce cas, on devra construire une structure de support appropriée.
- La taille du conduit doit être uniforme.
- Le circuit d'évacuation doit comporter un clapet.

- Au niveau de chaque jointure du circuit d'évacuation, assurer l'étanchéité avec les brides de serrage.
- À l'aide d'un produit de calfeutrage, assurer l'étanchéité autour de la bouche de décharge à l'extérieur (à travers le mur ou le toit).
- Déterminer quelle méthode d'évacuation est la plus appropriée.

#### Pour obtenir la meilleure performance :

- Utiliser un conduit de ventilation en acier galvanisé d'épaisseur minimum n° 26 ou en aluminium d'épaisseur minimum n° 25. Des raccords de mauvaise qualité peuvent réduire le flux d'air. On déconseille l'emploi d'un conduit en métal flexible.

**REMARQUE :** Les codes locaux pourraient exiger un matériau plus épais.

- Le conduit métallique peut être réduit à une épaisseur n° 30 pour l'acier galvanisé ou n° 26 pour l'aluminium si c'est permis par les codes locaux. Cette information est basée sur l'information dans la Section des Codes Résidentiels Internationaux M1601.1 (édition 2006).
- Ne pas installer 2 coudes ensemble.
- Ne pas utiliser plus de trois coudes à 90°.
- Si l'on utilise un coude, on doit le placer le plus loin possible de l'ouverture d'évacuation du moteur de ventilation.
- Veiller à incorporer une section de conduit rectiligne d'au moins 18" (45,7 cm) entre deux raccords coudés adjacents.
- Des coudes trop rapprochés peuvent occasionner une turbulence excessive qui réduirait la circulation de l'air.
- Ne pas utiliser un coude de 5" (12,7 cm) dans un système de 6" (15,2 cm) ou 3<sup>1</sup>/<sub>4</sub>" x 10" (8,3 cm x 25,4 cm).
- Ne pas réduire le système à une longueur de 5" (12,7 cm) après avoir utilisé des raccords de 6" (15,2 cm) ou de 3<sup>1</sup>/<sub>4</sub>" x 10" (8,3 cm x 25,4 cm).
- Éviter le sertissage manuel. Il peut restreindre le flux d'air.
- Utiliser un clapet de conduit pour que le rendement soit correct. Si une bouche de décharge murale ou de toit est utilisée, s'assurer que la taille de la bouche de décharge n'est pas réduite et qu'elle comporte un clapet anti-reflux.
- Au niveau de chaque jointure du circuit d'évacuation, assurer l'étanchéité avec les brides de serrage.
- À l'aide d'un produit de calfeutrage, assurer l'étanchéité autour de la bouche de décharge à l'extérieur (à travers le mur ou le toit).

La longueur du système d'évacuation et le nombre de coudes doivent être réduits au minimum pour une performance efficace.

La longueur maximale équivalente du circuit d'évacuation est de 60 pi (18,3 m). Pour les altitudes excédant 4 500 pi (1 372 m), réduire la longueur du système d'évacuation de 20 % pour une performance optimale.

#### Installations pour régions à climat froid

On doit installer un clapet anti-reflux additionnel pour minimiser le reflux d'air froid.

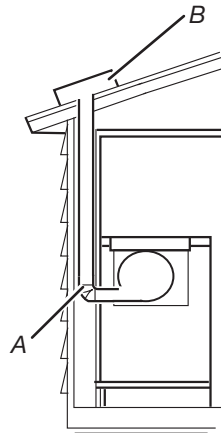
#### Air d'appoint

Le code du bâtiment local peut exiger l'emploi d'un système de renouvellement de l'air/introduction d'air d'appoint, lors de l'utilisation d'un système d'aspiration de débit supérieur à une valeur (pieds cubes par minute) spécifiée. Le débit spécifié en pieds cubes par minute varie d'une juridiction à l'autre. Consulter un professionnel des installations de chauffage/ventilation/climatisation au sujet des exigences spécifiques applicables dans la juridiction locale.

## Méthodes d'évacuation

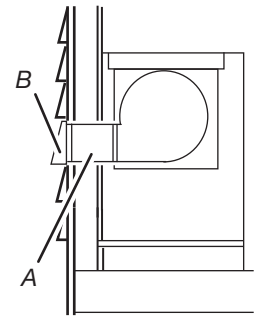
Les méthodes d'évacuation standard illustrées correspondent à une table de cuisson avec aspiration par le bas montée sur comptoir. L'évacuation de la table de cuisson peut se faire par le mur ou le plancher.

### Option 1 - Décharge à travers le toit



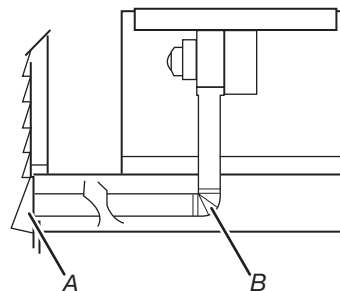
- A. Conduit de dia. 6" (15,2 cm) pour sortie à travers le toit  
B. Bouche de décharge sur toit

### Option 2 - Décharge à travers le mur



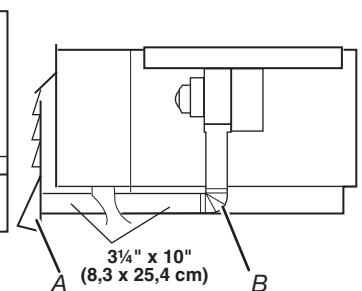
- A. Conduit de dia. 6" (15,2 cm) pour sortie à travers le mur  
B. Bouche de décharge murale

### Option 3 - Évacuation entre les solives au plancher



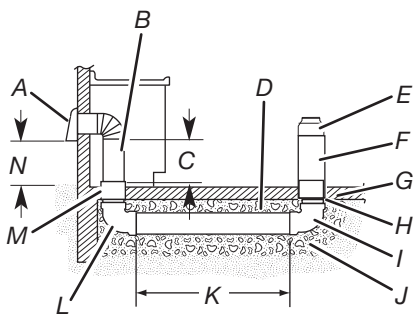
- A. Bouche de décharge murale  
B. Conduit de dia. 6" (15,2 cm) pour sortie à travers le mur

### Option 4 - Évacuation derrière le garde-pieds de la caisse



- A. Bouche de décharge murale  
B. Conduit de dia. 6" (15,2 cm) pour sortie à travers le mur

## Installations dans dalle de béton – Évacuation à travers le mur



- A. Bouche de décharge murale
- B. Conduit métallique de dia. 6" (15,2 cm)
- C. 16" (40,6 cm) maximum
- D. Conduit PVC pour égout de dia. 6" (15,2 cm)
- E. Conduit métallique de dia. 6" (15,2 cm)
- F. Raccord PVC de dia. 6" (15,2 cm)
- G. Dalle de béton
- H. Conduit PVC pour égout de dia. 6" (15,2 cm)
- I. Coude à 90° en PVC pour égout de dia. 6" (15,2 cm)
- J. Gravier ou sable compacté tout autour du tuyau.
- K. 30 pi (9,1 m) max.
- L. Coude à 90° en PVC pour égout de dia. 6" (15,2 cm)
- M. Raccord PVC de dia. 6" (15,2 cm)
- N. 12" (30,5 cm) minimum

### Trousse accessoire de filtration sans conduit

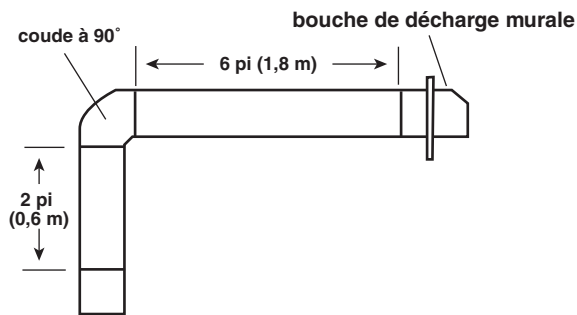
La trousse accessoire de filtration sans conduit, pièce n° JDA7000WX est désormais disponible. La trousse accessoire de filtration sans conduit est idéale tant pour les nouvelles constructions que les projets de rénovation de cuisine parce qu'elle offre une alternative facile à l'installation de conduits métalliques et à la décharge de système à aspiration par le bas vers l'extérieur du domicile. Cet ensemble comprend tout le matériel nécessaire, un filtre et des instructions d'installation complètes. Le filtre à charbon de recharge (pièce numéro W10177003) est disponible.

### Calcul de la longueur effective du circuit d'évacuation

Pour calculer la longueur effective du circuit d'évacuation nécessaire, additionner les longueurs équivalentes (pieds/mètres) de tous les composants utilisés dans le système.

| Composant   | Conduit de diamètre de 6" (15,2 cm) |  |
|---|-------------------------------------|--|
| Coude à 45°   | 2,5 pi (0,8 m)                      |  |
| Coude à 90°   | 5 pi (1,5 m)                        |  |
| Bouche de décharge murale de 6" (15,2 cm)                                   | 0,0 pi (0,0 m)                      |  |
| Raccord de transition de 3 1/4" x 10" (8,3 cm x 25,4 cm) sur 6" (15,2 cm)   | 4,5 pi (1,4 m)                      |  |
| Raccord de transition de 6" (15,2 cm) à 3 1/4" x 10" (8,3 cm x 25,4 cm)     | 1 pi (0,3 m)                        |  |
| Coude de transition à 90° de 3 1/4" x 10" (8,3 cm x 25,4 cm) à 6" (15,2 cm) | 9 pi (2,7 m)                        |  |
| Raccord coudé à 90° de 6" (15,2 cm) à 3 1/4" x 10" (8,3 cm x 25,4 cm)       | 5 pi (1,5 m)                        |  |
| Coude à 90° de 3 1/4" x 10" (8,3 cm x 25,4 cm)                              | 5 pi (1,5 m)                        |  |
| Coude plat de 3 1/4" x 10" (8,3 cm x 25,4 cm)                               | 12 pi (3,7 m)                       |  |
| Bouche de décharge murale 3 1/4" x 10" (8,3 cm x 25,4 cm)                   | 0 pi (0,0 m)                        |  |

## Exemple de circuit d'évacuation



|                                |                 |
|--------------------------------|-----------------|
| 1 - coude à 90°                | = 5 pi (1,5 m)  |
| Section droite de 8 pi (2,4 m) | = 8 pi (2,4 m)  |
| 1 - bouche de décharge murale  | = 0 pi (0,0 m)  |
| Longueur totale                | = 13 pi (3,9 m) |

**REMARQUE :** On déconseille l'emploi d'un conduit flexible. Un conduit flexible peut causer une rétro-pression et des turbulences de l'air, ce qui réduit considérablement la performance.

## Spécifications électriques

### **AVERTISSEMENT**



#### Risque de choc électrique

**Déconnecter la source de courant électrique avant l'entretien.**

**Utiliser du fil en cuivre de calibre 8.**

**Relier la table de cuisson à la terre.**

**Le non-respect de ces instructions peut causer un décès, un incendie ou un choc électrique.**

Si on utilise un conducteur distinct de liaison à la terre lorsque les codes le permettent, il est recommandé qu'un électricien qualifié vérifie que la liaison à la terre et le calibre du conducteur sont conformes aux codes locaux.

Vérifier avec un électricien qualifié si vous avez des doutes quant à la qualité de la liaison à la terre de la table de cuisson.

S'assurer que la connexion électrique et le calibre des fils sont appropriés et conformes au National Electrical Code, à la norme ANSI/NFPA 70 – dernière édition, ou à la norme CSA C22.1-94, au Code canadien de l'électricité, Partie 1 et C22.2 N° O-M91 – dernière édition, et à tous les codes et règlements locaux.

Pour obtenir un exemplaire des normes et codes ci-dessus, contacter :

National Fire Protection Association  
1 Batterymarch Park  
Quincy, MA 02169-7471  
CSA International  
8501 East Pleasant Valley Road  
Cleveland, Ohio 44131-5575

## Avant d'établir la connexion électrique :

Pour installer la table de cuisson correctement, il faut établir le type de raccords électriques que l'on utilisera et suivre les instructions indiquées ici.

- L'appareil doit être alimenté uniquement par un circuit monophasé en CA uniquement de 120/240 V et 60 Hz, à 4 fils ou 3 fils, sur un circuit séparé de 40 ampères (pour les modèles de 36" [91,4 cm] et les modèles de 30" [76,2 cm]). Si l'on utilise un circuit protégé par fusible, il doit l'être à chaque extrémité du circuit.
- La table de cuisson doit être connectée directement au boîtier de connexion par l'intermédiaire du conduit métallique flexible. Le câble blindé flexible sortant du boîtier de distribution (fusible ou disjoncteur) doit être raccordé directement au boîtier de connexion.
- Placer le boîtier de connexion de façon à laisser le plus de jeu possible entre celui-ci et la table de cuisson pour pouvoir déplacer la table de cuisson en cas de besoin de réparation à l'avenir.
- Un connecteur de conduit homologué UL ou CSA doit être fourni à chaque extrémité du câble d'alimentation électrique (à la table de cuisson et au boîtier de connexion).
- Si le domicile est équipé d'un câblage en aluminium, suivre les instructions suivantes :
  - Connecter le câblage en aluminium en utilisant des connecteurs et/ou des outils spécialement conçus et homologués UL pour fixer le cuivre à l'aluminium.

Suivre la procédure recommandée par le fabricant de connecteurs électriques. La connexion aluminium/cuivre doit être conforme aux codes locaux et aux pratiques de câblage acceptées par l'industrie.



# INSTRUCTIONS D'INSTALLATION

## Préparation de la table de cuisson

Déterminer l'emplacement final de la table de cuisson.

### **AVERTISSEMENT**

#### Risque du poids excessif

Utiliser deux ou plus de personnes pour déplacer et installer la table de cuisson.

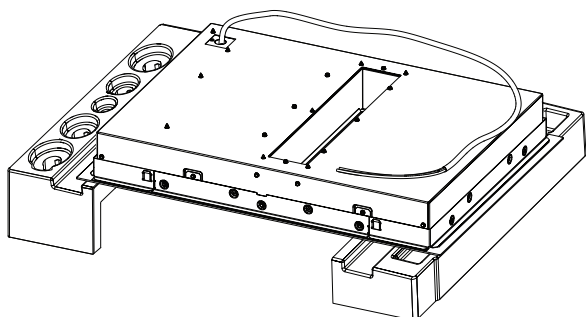
Le non-respect de cette instruction peut causer une blessure au dos ou d'autre blessure.

**IMPORTANT :** Ne pas couper le dessus de l'emballage du produit, car cela pourrait endommager le produit.

1. Ouvrir la boîte tel que stipulé sur l'emballage du produit.
2. Retirer tous les articles des deux côtés du bloc en mousse et les réserver. Sortir le bloc en mousse et le mettre de côté afin de déposer la table de cuisson sur le dessus.

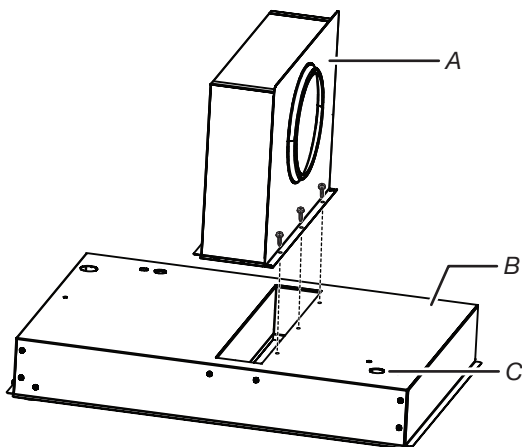
**IMPORTANT :** Ne pas placer de mousse d'emballage sur les boutons.

3. Avec l'aide de deux personnes ou plus, retirer la table de cuisson et placer la table de cuisson à l'envers sur le bloc en mousse, s'assurant que les boutons ne sont pas déposés sur le bloc en mousse.



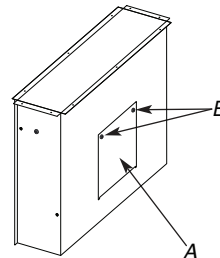
4. Retirer la chambre de distribution et le paquet de vis (dans le sachet de documentation).
5. Retirer le moteur d'aspiration.
6. Placer la chambre de distribution de la table de cuisson avec l'ouverture ronde orientée vers le faisceau de câblage du moteur.

**REMARQUE :** Tous les trous sont prépercés. Si tous les 6 trous ne sont pas alignés, inverser la chambre de distribution.



A. Chambre de distribution  
B. Table de cuisson  
C. Faisceau de câblage du moteur

7. À l'aide d'un tourne-écrou de 1/4", visser les 6 vis du sachet de documentation pour fixer la chambre de distribution.
8. Retirer le panneau d'accès de la chambre de distribution à l'aide d'un tourne-écrou de 1/4" et le mettre de côté.

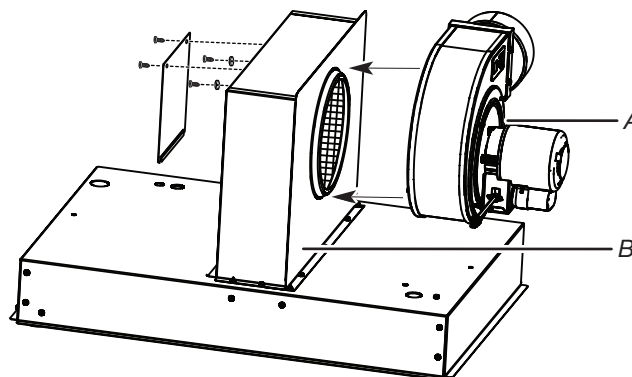


A. Panneau d'accès  
B. 2 vis

9. Retirer 4 écrous de blocage et 4 rondelles du sachet de documentation.

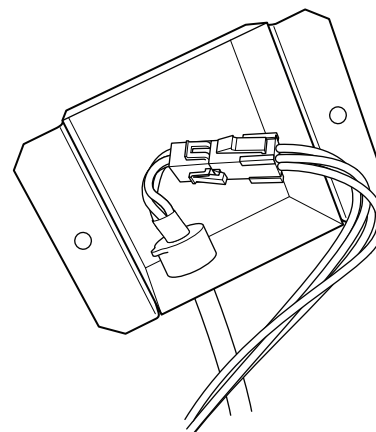
**REMARQUE :** Retirer les 4 capuchons protecteurs des tiges de montage du moteur.

10. Placer le moteur du ventilateur sur la chambre de distribution et tourner la sortie de ventilation pour la faire correspondre au conduit.

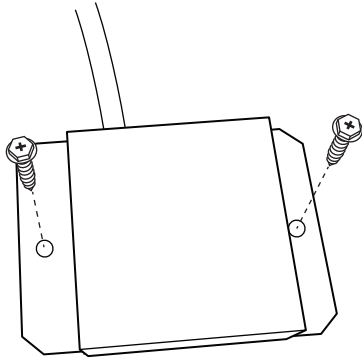


A. Moteur du ventilateur  
B. Chambre de distribution

11. Installer et serrer avec les doigts les 4 rondelles et écrous de blocage qui ont été retirés à travers l'ouverture du couvercle d'accès au moteur. Ne pas trop serrer afin de permettre le moteur de tourner.
12. Brancher le connecteur électrique du ventilateur à la table de cuisson.



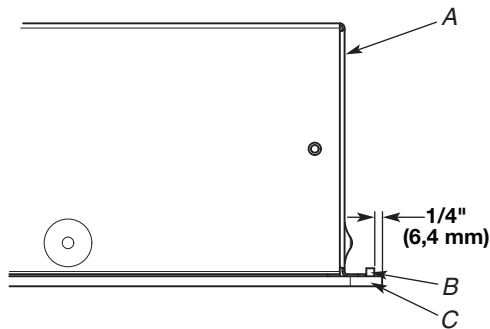
13. À l'aide d'un tourne-écrou de 1/4", visser le couvercle de raccordement électrique à la boîte des brûleurs au moyen de 2 vis.



### Installation de la bande de mousse

1. Enlever la bande de mousse du sachet de documentation.
2. Retirer l'endos de la bande de mousse.
3. Retirer 1 des 4 bandes de mousse.
4. Appliquer la bande de mousse côté adhésif autour du bas de la table de cuisson, 1/4" (6,4 mm) du bord et couper la matériel excessif 1/4" (6,4 mm) du bord.

**REMARQUE :** La bande de mousse protège la face inférieure du verre de la table de cuisson de tout résidu et permet à la table de cuisson de reposer à plat sur des plans de travail irréguliers.



A. Base de la table de cuisson  
B. Bande de mousse  
C. Vitrocéramique

5. Répéter les étapes 1 et 2 pour les côtés restant.

## Installation de la table de cuisson

### ⚠ AVERTISSEMENT

#### Risque du poids excessif

Utiliser deux ou plus de personnes pour déplacer et installer la table de cuisson.

Le non-respect de cette instruction peut causer une blessure au dos ou d'autre blessure.

1. Avec l'aide de deux personnes ou plus, soulever la table de cuisson du bloc de mousse et installer la table de cuisson dans l'ouverture du comptoir en inclinant une extrémité de la table de cuisson dans l'ouverture, puis en abaissant l'autre extrémité dans l'ouverture.

**REMARQUE :** S'assurer que le bord avant de la table de cuisson est parallèle au bord avant du comptoir. S'il est nécessaire de repositionner la table de cuisson, la soulever entièrement de l'ouverture pour éviter de rayer le comptoir.

2. Tourner le moteur pour l'aligner avec le conduit et le fixer au conduit.
3. Serrer complètement le moteur et à l'aide d'un tourne-écrou de 1/4", fixer le couvercle d'accès au moteur au moyen de 2 vis.

**IMPORTANT :** Vérifier que le couvercle d'accès au moteur est complètement serré et se trouve sur la chambre de distribution.

4. À l'aide d'un bloc en bois entre la vis et le comptoir, serrer légèrement les vis pour fixer le comptoir.

**IMPORTANT :** Ne pas serrer les vis directement contre le plan de travail.

5. Installer le filtre à graisse.

#### REMARQUES :

- Le filtre doit toujours être placé en angle. Lorsque l'on se place face à la table de cuisson, le sommet du filtre doit reposer contre le côté droit de l'ouverture d'aération.
- Le fond du filtre doit reposer contre le côté gauche de la chambre d'évacuation, au fond de celle-ci.
- Si le filtre est à plat contre la paroi du ventilateur, l'efficacité du système de ventilation sera réduite.

6. Installer la grille de ventilation.

## Raccordement électrique

### **AVERTISSEMENT**



#### Risque de choc électrique

**Déconnecter la source de courant électrique avant l'entretien.**

**Utiliser du fil en cuivre de calibre 8.**

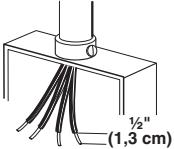
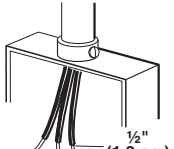
**Relier la table de cuisson à la terre.**

**Le non-respect de ces instructions peut causer un décès, un incendie ou un choc électrique.**

Un conducteur nu de liaison à la terre est connecté au châssis de la table de cuisson lors de la fabrication. Raccorder le câble de la table de cuisson au boîtier de connexion à l'aide du connecteur de conduit homologué UL ou CSA.

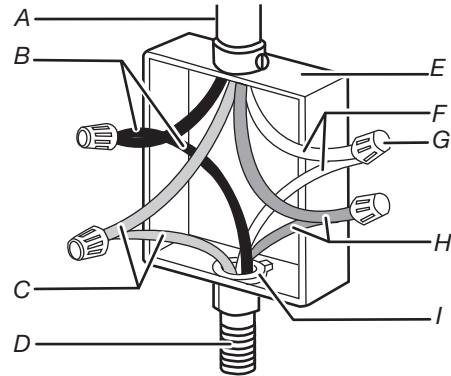
1. Déconnecter la source de courant électrique.
2. Enlever le couvercle du boîtier de connexion, le cas échéant.
3. Avec un connecteur de conduit (homologation UL ou CSA), connecter le conduit de câble flexible de la table de cuisson au boîtier de connexion.
4. Serrer les vis du connecteur de conduit, le cas échéant.
5. Voir le tableau "Options de raccordement électrique" pour terminer l'installation correspondant à votre type de raccordement électrique.

#### Options de raccordement électrique

| Câblage de la maison :   | Point de distribution :                            | Voir la section suivante :  |
|--|--|---|
| 4 conducteurs<br> | Boîte de disjoncteur ou coupe-circuit avec fusible | Câble à 4 conducteurs depuis le point de distribution du domicile jusqu'au câble à 4 conducteurs de la table de cuisson                   |
| 3 conducteurs<br> | Boîte de disjoncteur ou coupe-circuit avec fusible | Câble à 3 conducteurs depuis le point de distribution du domicile jusqu'au câble à 4 conducteurs de la table de cuisson - É.-U. seulement |

### Câble à 4 conducteurs depuis le point de distribution du domicile jusqu'au câble à 4 conducteurs de la table de cuisson

**IMPORTANT :** Utiliser le câble à 4 conducteurs provenant du point de distribution du domicile aux États-Unis lorsque les codes ne permettent pas la mise à la terre par l'intermédiaire du conducteur neutre, en cas de nouvelle installation avec alimentation par un circuit secondaire (1996 NEC), dans les résidences mobiles et les véhicules récréatifs, dans les nouvelles constructions et au Canada.

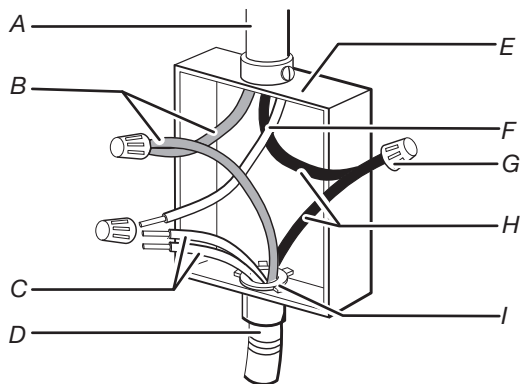


- A. Câble d'alimentation du domicile
- B. Conducteurs noirs
- C. Conducteurs nus de liaison à la terre
- D. Câble à 4 conducteurs depuis la table de cuisson
- E. Boîtier de connexion
- F. Conducteurs blancs
- G. Connecteur de fils (homologation UL)
- H. Conducteurs rouges
- I. Connecteur de conduit (homologation UL ou CSA)

1. Connecter ensemble les 2 conducteurs noirs avec un connecteur de fils (homologation UL).
2. Connecter ensemble les 2 conducteurs rouges avec un connecteur de fils (homologation UL).
3. Connecter ensemble les 2 conducteurs blancs avec un connecteur de fils (homologation UL).
4. Connecter le conducteur vert (ou nu) de liaison à la terre du câble de la table de cuisson au conducteur vert (ou nu) de liaison à la terre dans le boîtier de connexion - utiliser un connecteur de fils (homologation UL).
5. Réinstaller le couvercle du boîtier de connexion.

## Câble à 3 conducteurs depuis le point de distribution du domicile jusqu'au câble à 4 conducteurs de la table de cuisson - É.-U. seulement

**IMPORTANT :** Utiliser le câble à 3 conducteurs depuis le point de distribution lorsque le code local en vigueur permet le raccordement entre le conducteur de liaison à la terre du châssis et le conducteur neutre (blanc) dans le boîtier de connexion.



- |  |   |
|--|---|
| A. Câble d'alimentation du domicile  | E. Boîtier de connexion                           |
| B. Conducteurs rouges  | F. Conducteur blanc                               |
| C. Conducteur blanc et vert (ou nu) de liaison à la terre (depuis la table de cuisson) | G. Connecteur de fils (homologation UL)           |
| D. Câble à 4 conducteurs depuis la table de cuisson                                    | H. Conducteurs noirs                              |
|  | I. Connecteur de conduit (homologation UL ou CSA) |

1. Connecter ensemble les 2 conducteurs noirs avec un connecteur de fils (homologation UL).
2. Connecter ensemble les 2 conducteurs rouges avec un connecteur de fils (homologation UL).
3. Connecter le conducteur vert ou nu et le conducteur blanc de la table de cuisson au conducteur blanc (neutre) dans le boîtier de connexion avec un connecteur de fil (homologation UL).
4. Réinstaller le couvercle du boîtier de connexion.

## Achever l'installation

1. Vérifier que toutes les pièces sont maintenant installées. S'il reste une pièce, passer en revue les différentes étapes pour découvrir laquelle aurait été oubliée.
2. Vérifier la présence de tous les outils.
3. Jeter/recycler tous les matériaux d'emballage.
4. Utiliser une solution d'eau tiède et de nettoyant ménager liquide doux pour nettoyer la table de cuisson avant utilisation. Sécher parfaitement avec un linge doux. Pour plus de renseignements, voir la section "Entretien de la table de cuisson" du Guide d'utilisation et d'entretien.
5. Lire "Utilisation de la table de cuisson" dans le Guide d'utilisation et d'entretien de la table de cuisson.
6. Reconnecter la source de courant électrique.

**REMARQUE :** Si la table de cuisson ne fonctionne pas une fois l'alimentation branchée, vérifier que le disjoncteur n'est pas déclenché ou que les fusibles ne sont pas grillés. Voir la section "Dépannage" dans le Guide d'utilisation et d'entretien pour plus de renseignements.

### Si vous avez besoin d'assistance ou de service :

Consulter la section "Garantie" du Guide d'utilisation et d'entretien.